

US00D695892S

(12) **United States Design Patent**  
**Cappello et al.**

(10) **Patent No.:** **US D695,892 S**

(45) **Date of Patent:** **\*\* Dec. 17, 2013**

(54) **NEEDLE-FREE SYRINGE**

(75) Inventors: **Chris Cappello**, Broomfield, CO (US);  
**John W. Bingham**, Elizabeth, CO (US)

(73) Assignee: **PharmaJet, Inc.**, Golden, CO (US)

(\*\*) Term: **14 Years**

(21) Appl. No.: **29/427,826**

(22) Filed: **Jul. 23, 2012**

(51) **LOC (9) Cl.** ..... **24-02**

(52) **U.S. Cl.**  
USPC ..... **D24/113**

(58) **Field of Classification Search**  
USPC ..... D24/112–114, 133, 186, 104, 130, 127;  
606/181, 185; 604/68, 264, 272, 115,  
604/232, 187, 158, 164.08, 192, 263, 163,  
604/181, 184, 198, 227  
See application file for complete search history.

(56) **References Cited**

**U.S. PATENT DOCUMENTS**

5,024,656	A	6/1991	Gasaway et al.	
D334,233	S *	3/1993	Schaechter	D24/112
5,312,577	A	5/1994	Peterson et al.	
5,383,851	A	1/1995	McKinnon, Jr. et al.	
D377,830	S *	2/1997	Lai	D24/114
5,649,912	A	7/1997	Peterson	
D393,722	S *	4/1998	Fangrow et al.	D24/112
D395,502	S *	6/1998	Deily et al.	D24/112
5,875,976	A	3/1999	Nelson et al.	
5,938,637	A	8/1999	Austin et al.	
D443,356	S *	6/2001	Pajunk et al.	D24/112
D447,231	S *	8/2001	Chen Fu et al.	D24/121
6,716,190	B1	4/2004	Glines et al.	
7,235,063	B2	6/2007	D'Antonio et al.	
7,261,703	B2 *	8/2007	Lampropoulos et al.	604/168.01
D608,885	S *	1/2010	Sneddon et al.	D24/127
D613,861	S *	4/2010	Hunter et al.	D24/130

D627,459	S *	11/2010	Uchida et al.	D24/130
D627,880	S *	11/2010	Ellis et al.	D24/130
7,931,614	B2	4/2011	Gonnelli et al.	
D673,677	S *	1/2013	Noda et al.	D24/114
D677,794	S *	3/2013	Prpa	D24/186
2003/0196928	A1	10/2003	Parsons	
2010/0025503	A1	2/2010	Williamson	
2011/0288521	A1	11/2011	Bingham	
2011/0319860	A1	12/2011	Williamson et al.	

**FOREIGN PATENT DOCUMENTS**

EP 1011763 12/2003

\* cited by examiner

*Primary Examiner* — David Muller

(74) *Attorney, Agent, or Firm* — Swanson & Bratschun, LLC

(57) **CLAIM**

The ornamental design for a needle-free syringe, as shown and described.

**DESCRIPTION**

FIG. 1 is a front perspective view of the needle-free syringe showing our new design;

FIG. 2 is a rear perspective view of the needle-free syringe of FIG. 1;

FIG. 3 is a left side elevation view of the needle-free syringe of FIG. 1;

FIG. 4 is a right side elevation view of the needle-free syringe of FIG. 1;

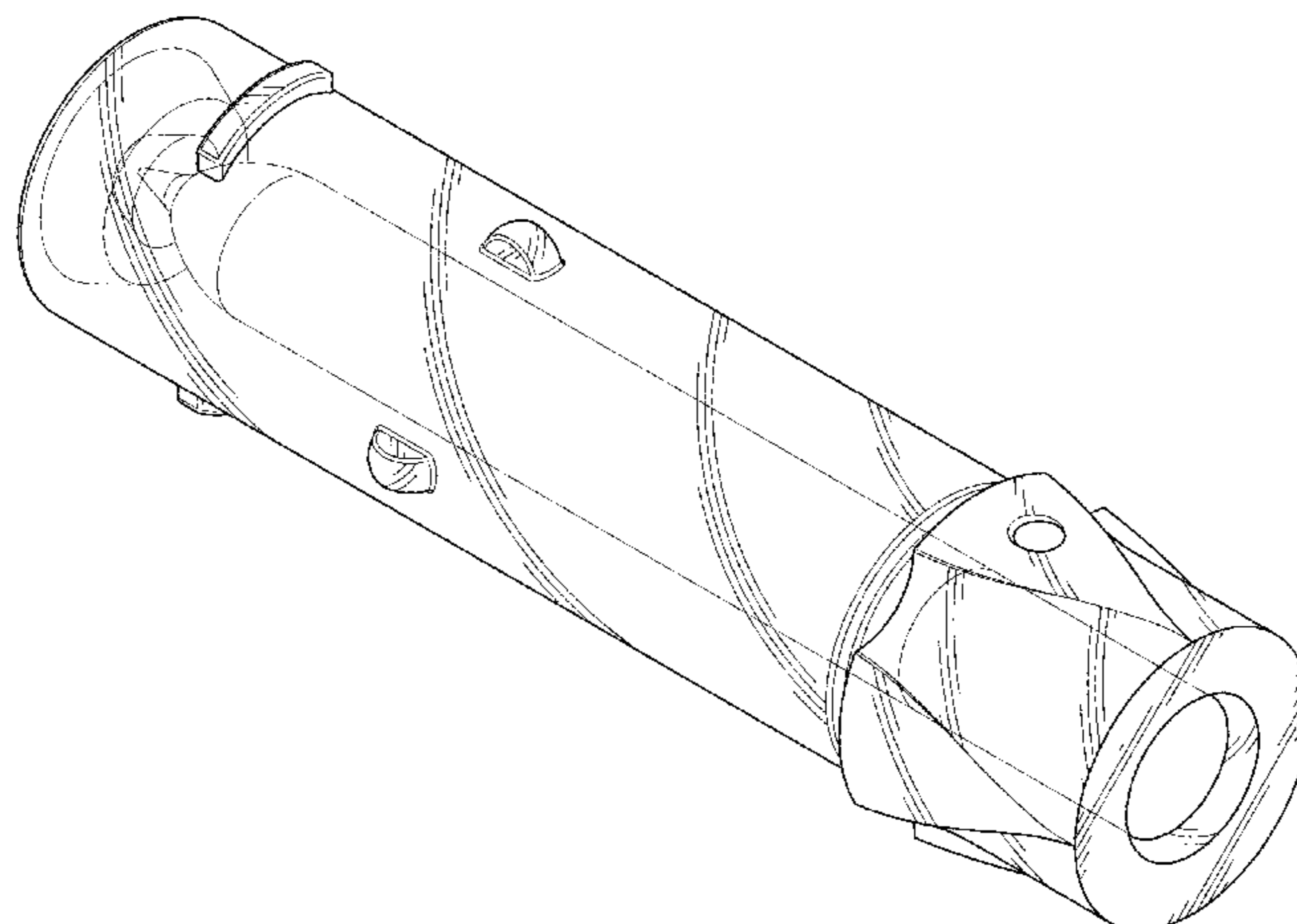
FIG. 5 is a top plan view of the needle-free syringe of FIG. 1;

FIG. 6 is a bottom plan view of the needle-free syringe of FIG. 1;

FIG. 7 is a front elevation view of the needle-free syringe of FIG. 1; and,

FIG. 8 is a rear elevation view of the needle-free syringe of FIG. 1.

**1 Claim, 5 Drawing Sheets**



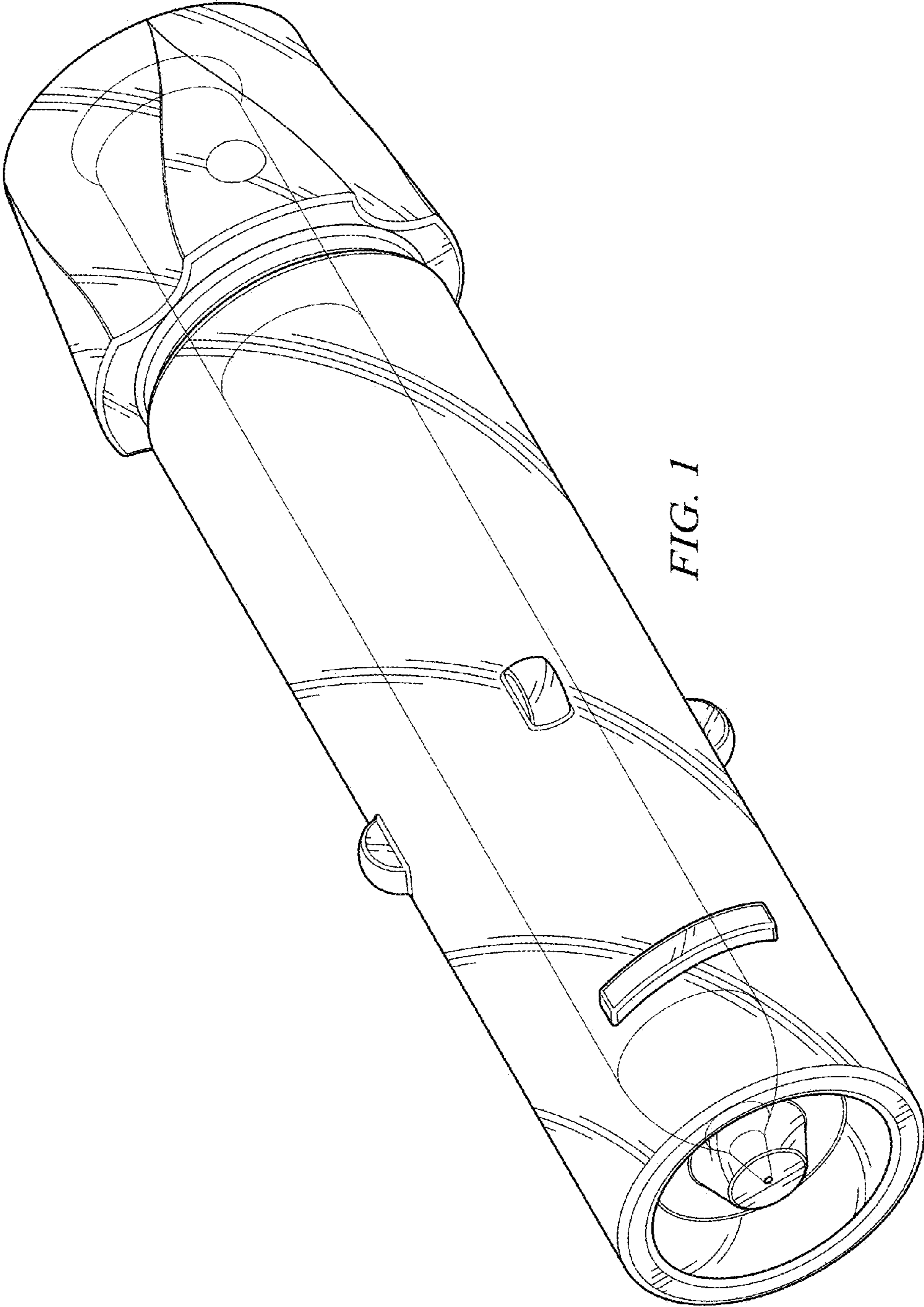


FIG. 1

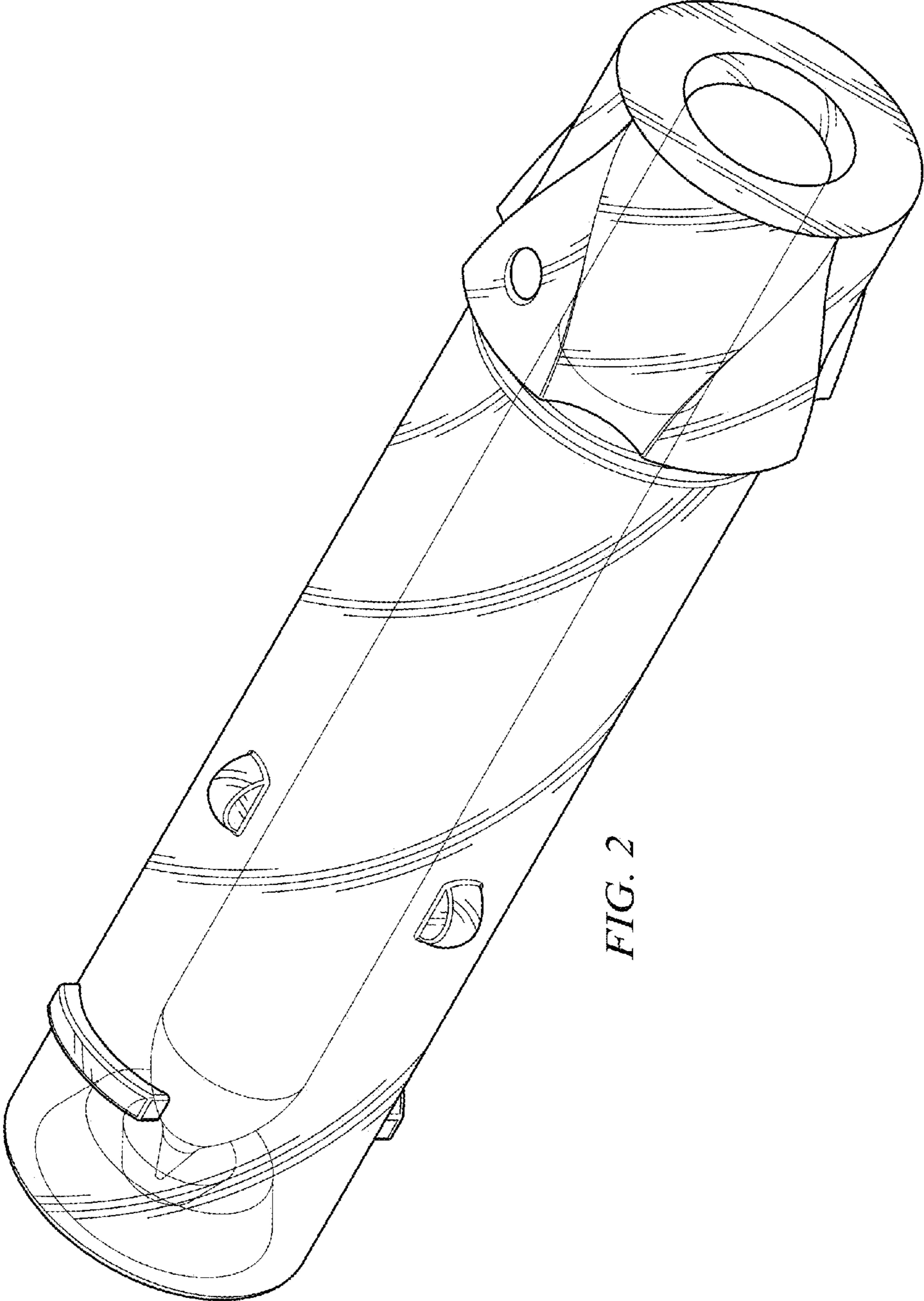
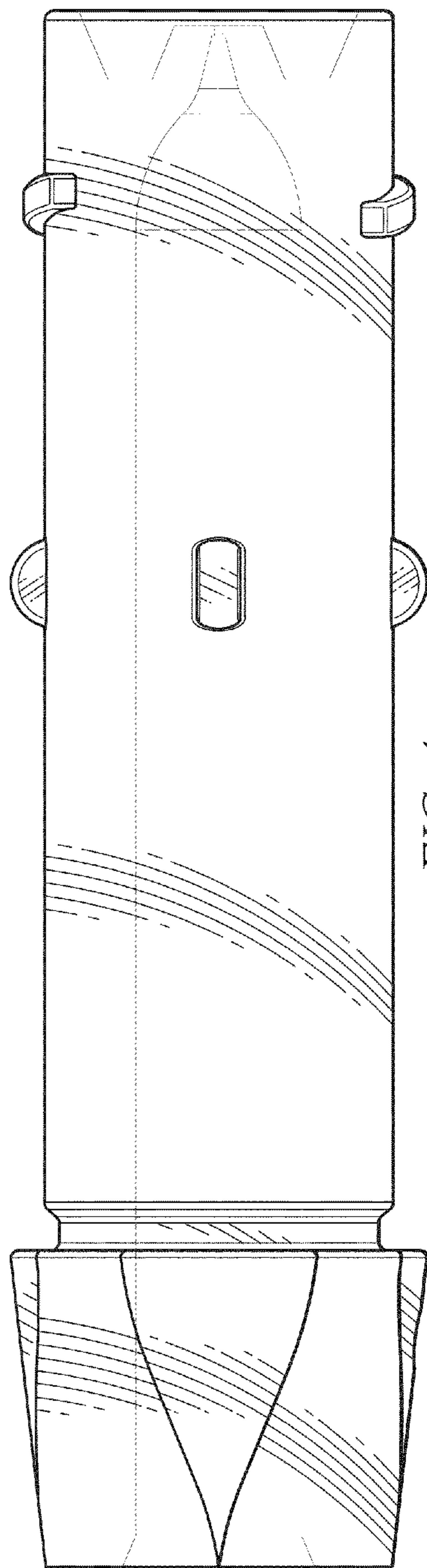
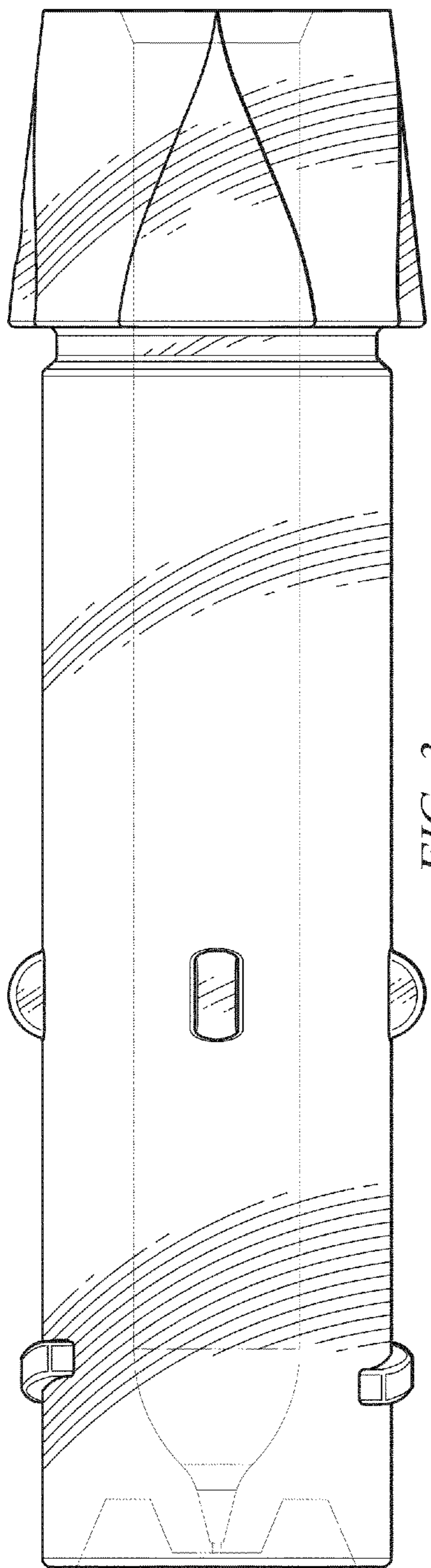
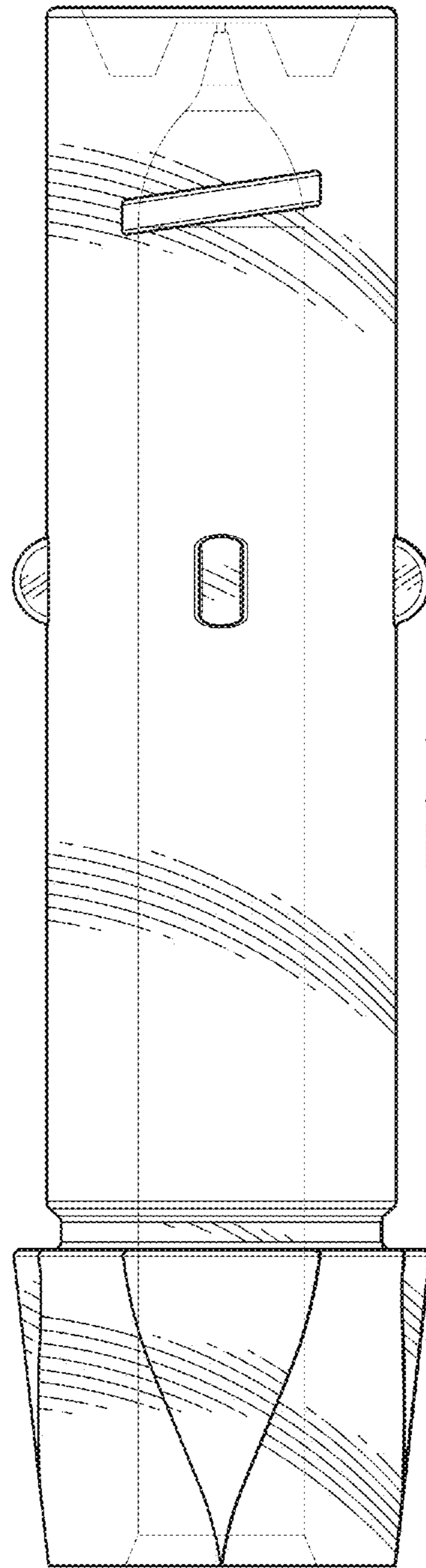
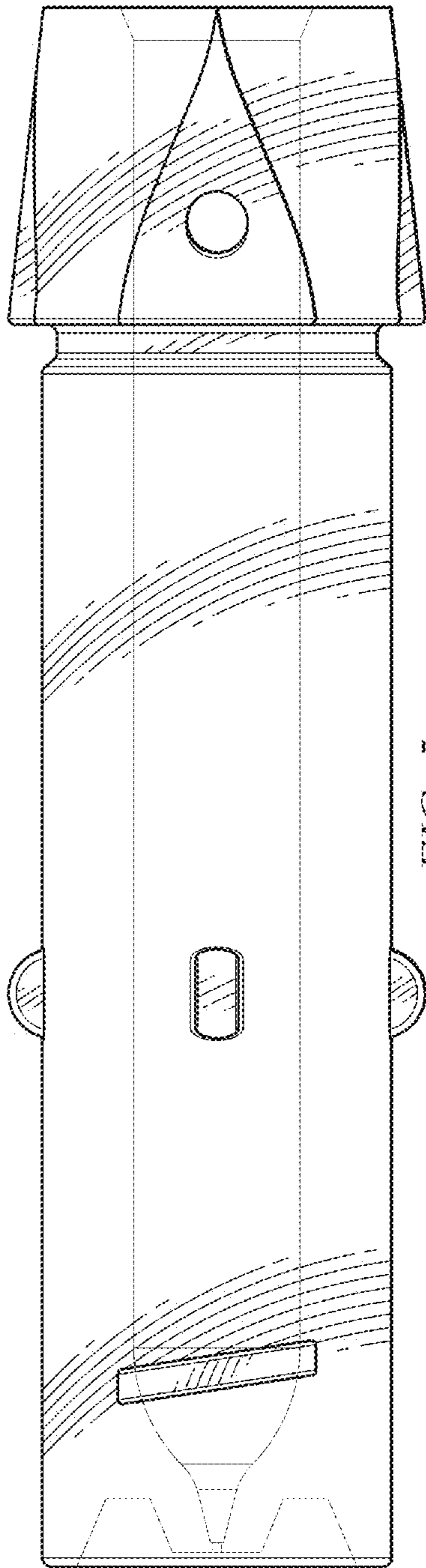
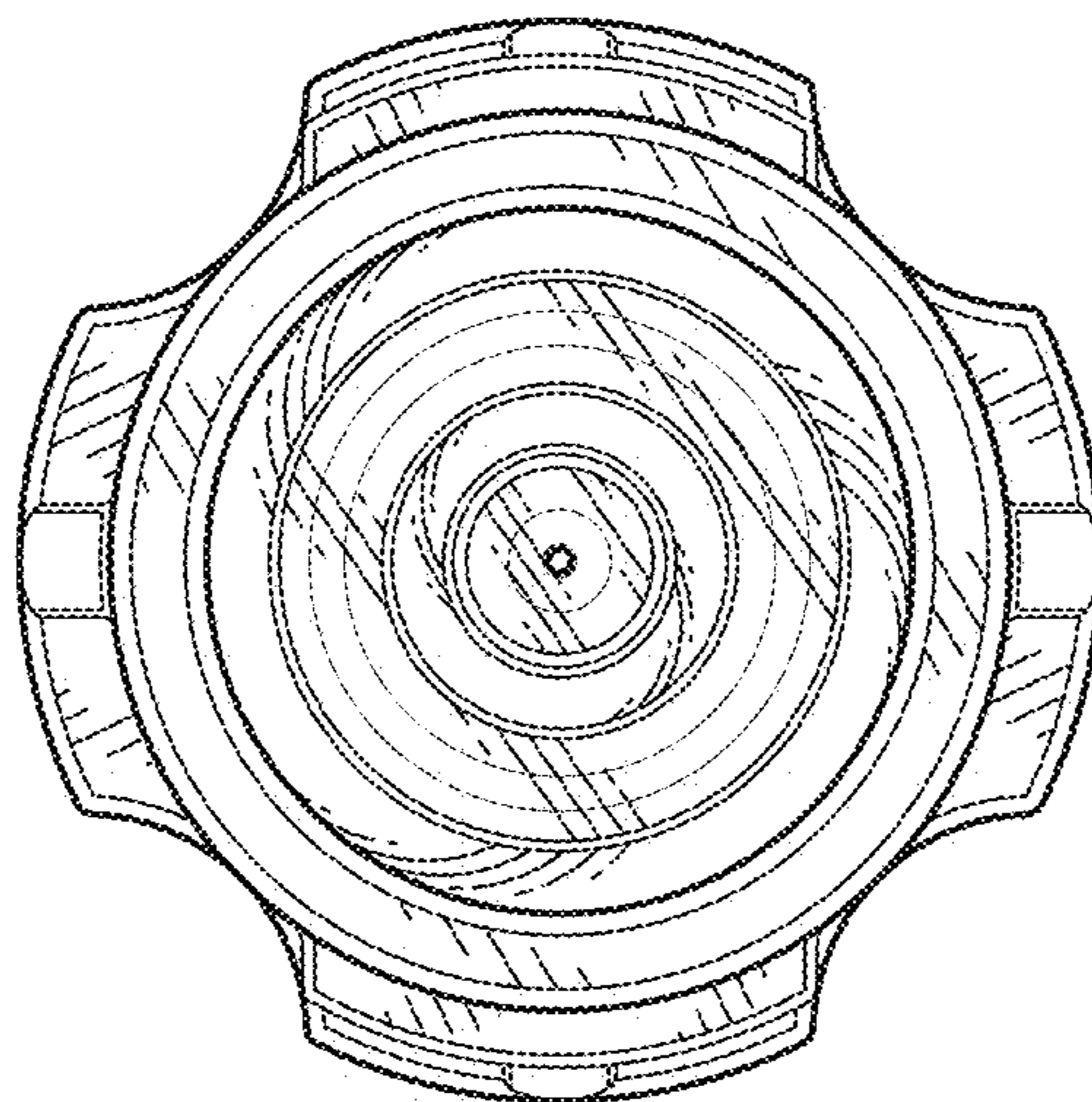


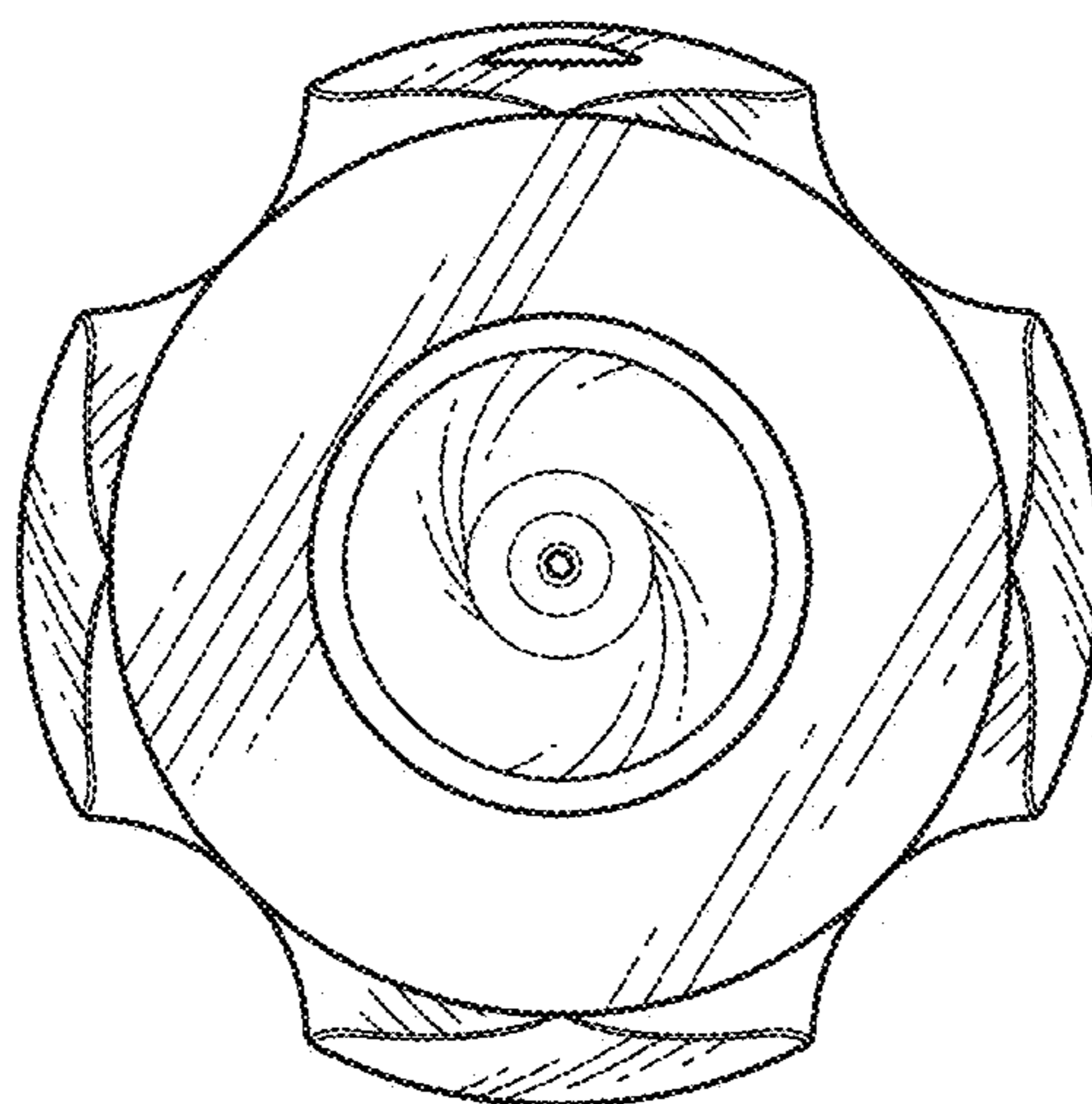
FIG. 2







*FIG. 7*



*FIG. 8*