



US00D695890S

(12) **United States Design Patent**  
**Bowden et al.**

(10) **Patent No.:** **US D695,890 S**  
(45) **Date of Patent:** **\*\* Dec. 17, 2013**

- (54) **DISPOSABLE CPAP CONNECTOR FOR A PATIENT FACEMASK**
- (75) Inventors: **Kevin D. J. Bowden**, Orangeville (CA); **Ammar Al-Dojaily**, Milton (CA); **Bing Zheng**, Etobicoke (CA)
- (73) Assignee: **O-Two Medical Technologies Inc.** (CA)
- (\*\*) Term: **14 Years**
- (21) Appl. No.: **29/419,012**
- (22) Filed: **Apr. 24, 2012**
- (51) **LOC (9) Cl.** ..... **29-02**
- (52) **U.S. Cl.**  
USPC ..... **D24/110.6**
- (58) **Field of Classification Search**  
USPC ..... D24/110, 110.5, 110.6, 129; D23/233;  
128/204.18, 205.24; 600/529  
See application file for complete search history.

(56) **References Cited**

**U.S. PATENT DOCUMENTS**

5,765,553	A *	6/1998	Richards et al.	.....	128/203.29
6,135,109	A *	10/2000	Blasdell et al.	.....	128/206.28
D441,070	S *	4/2001	Niles et al.	.....	D24/110
6,766,800	B2 *	7/2004	Chu et al.	.....	128/205.24
7,568,483	B2 *	8/2009	Scarberry et al.	.....	128/206.21
D634,813	S *	3/2011	Hernandez, IV	.....	D23/233
D637,713	S *	5/2011	Nord et al.	.....	D24/129
2010/0282247	A1 *	11/2010	Kadrichu et al.	.....	128/200.14

**OTHER PUBLICATIONS**

Pamphlet entitled: "Boussignac CPAP System for Acute Therapy," by Vygon (UK) Ltd., United Kingdom; 7 pages; Jan. 2009.  
Pamphlet entitled: "Introducing the Flow Safe™ CPAP System," by Mercury Medical Respiratory, Clearwater, Florida; 3 pages; © Feb. 2010.

\* cited by examiner

*Primary Examiner* — Ian Simmons

*Assistant Examiner* — Richelle Shelton

(74) *Attorney, Agent, or Firm* — Kusner & Jaffe

(57) **CLAIM**

The ornamental design for the disposable CPAP connector for a patient facemask, as shown and described.

**DESCRIPTION**

FIG. 1 is a first perspective view taken from above and a front end of a disposable CPAP connector for a patient facemask showing our new design;

FIG. 2 is a second perspective view taken from below and a rear end of the connector shown in FIG. 1;

FIG. 3 is a top view thereof;

FIG. 4 is a bottom view thereof;

FIG. 5 is a right side view thereof;

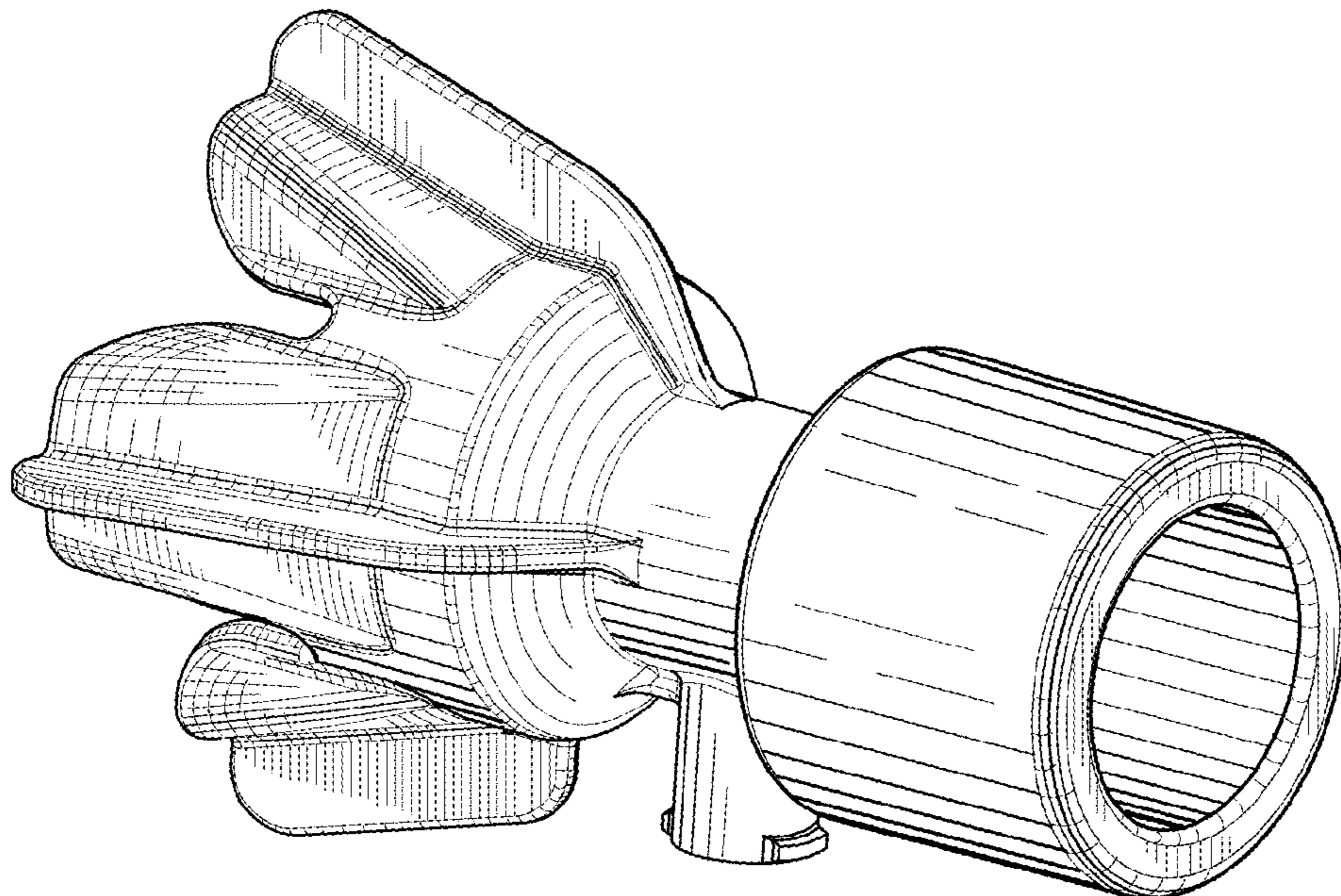
FIG. 6 is a left side view thereof;

FIG. 7 is a front end view thereof; and,

FIG. 8 is a rear end view thereof.

The broken line showing of portions of the article is included for the purpose of illustrating structural environment and forms no part of the claimed design.

**1 Claim, 4 Drawing Sheets**



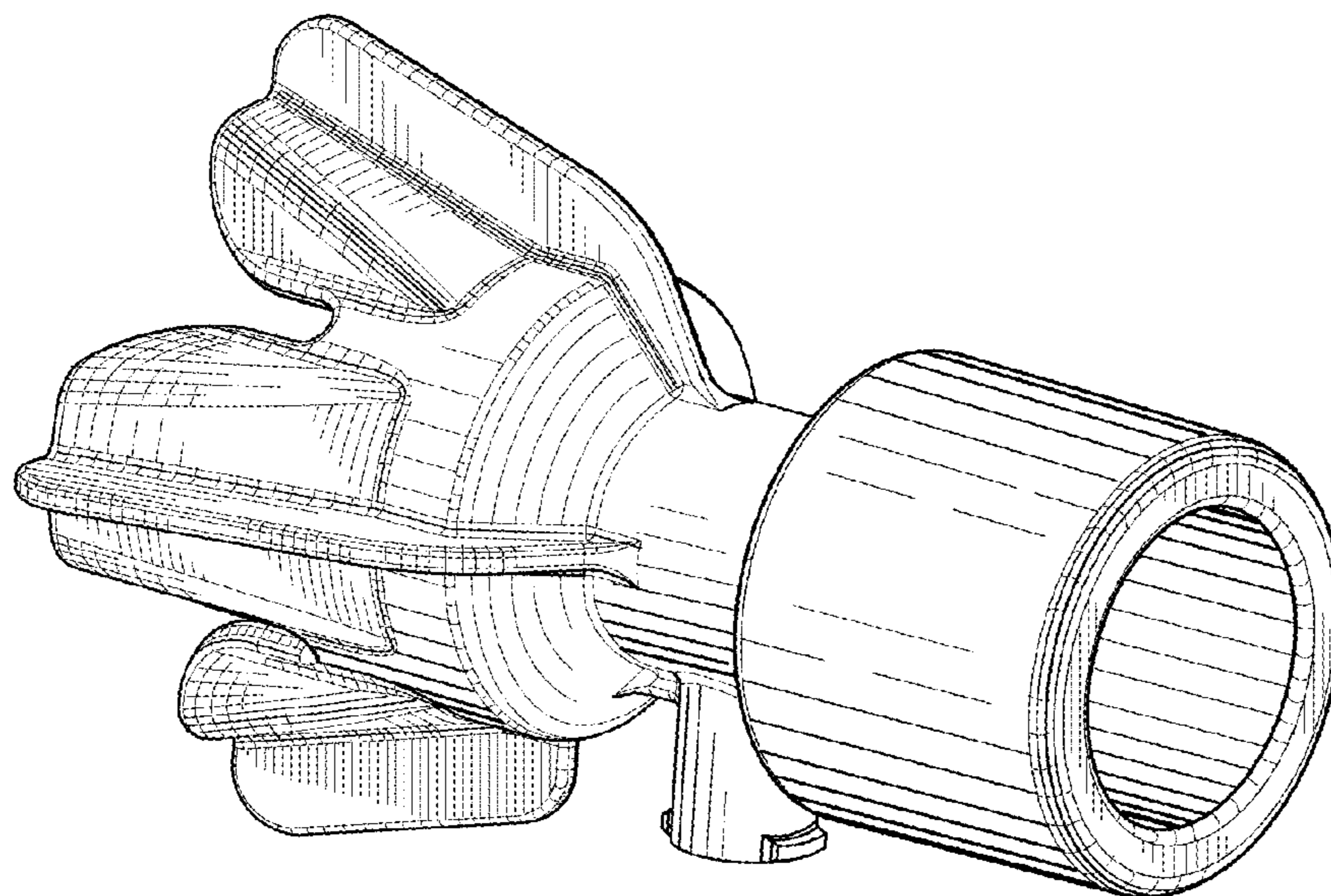


FIG.1

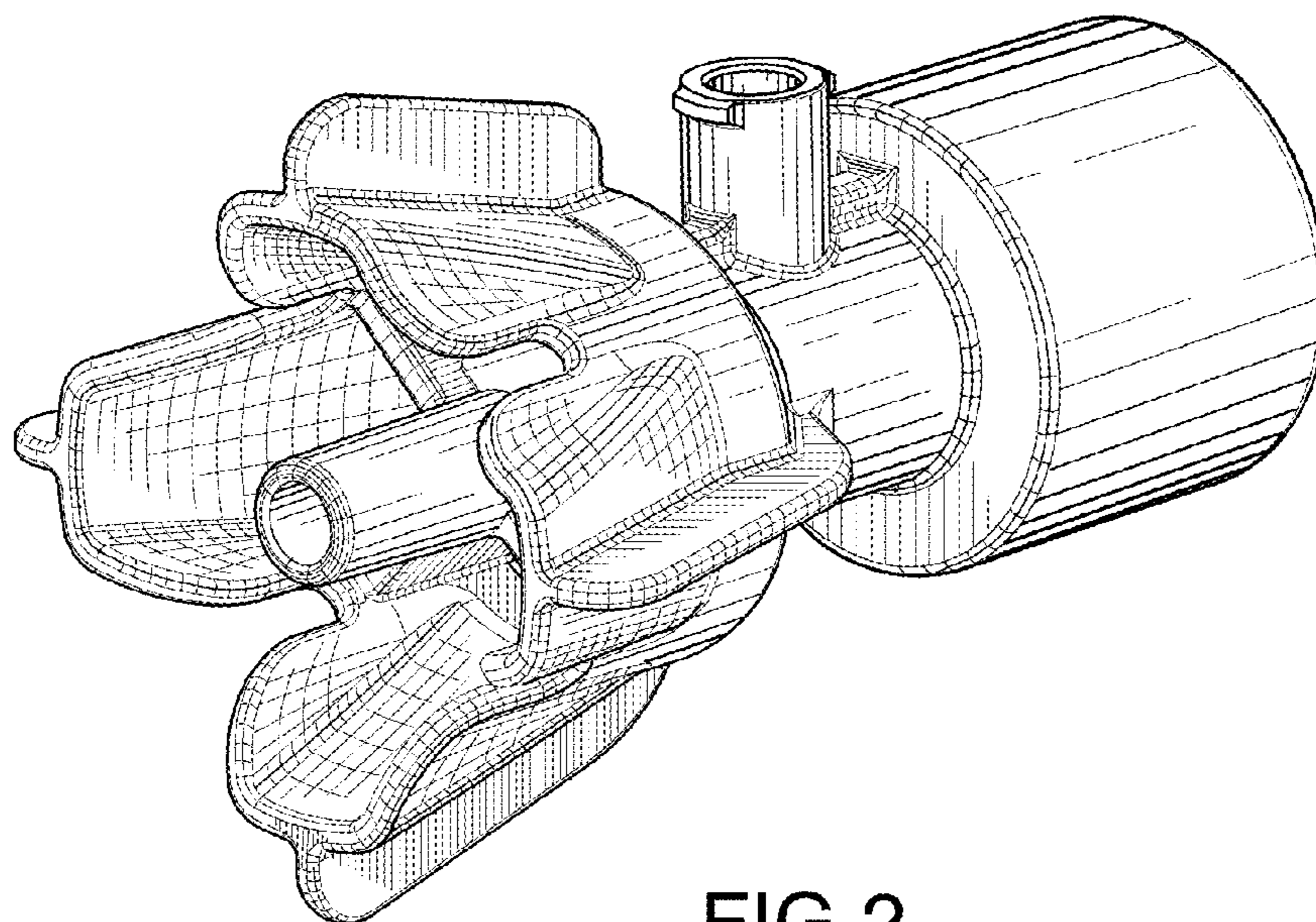


FIG.2

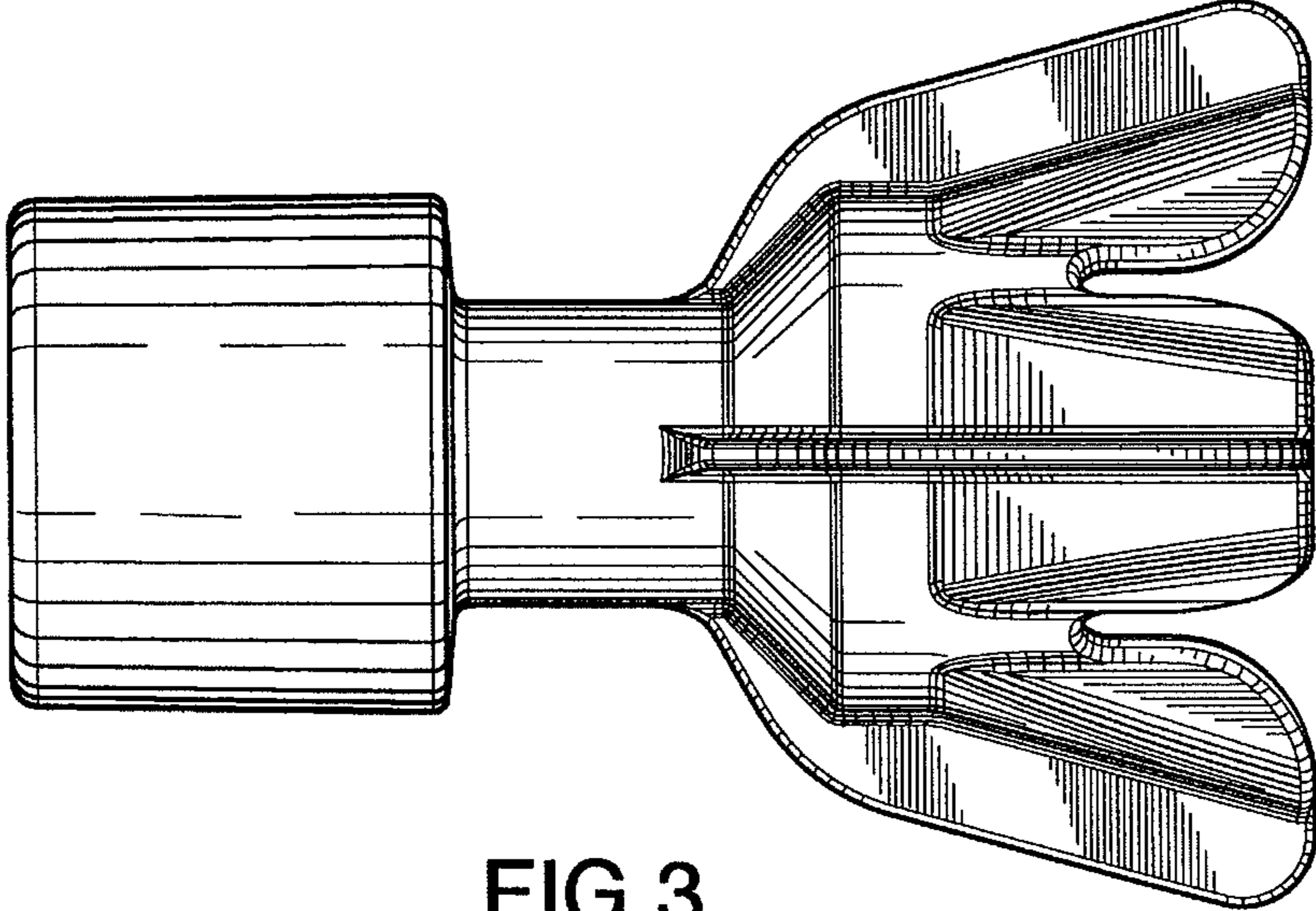


FIG.3

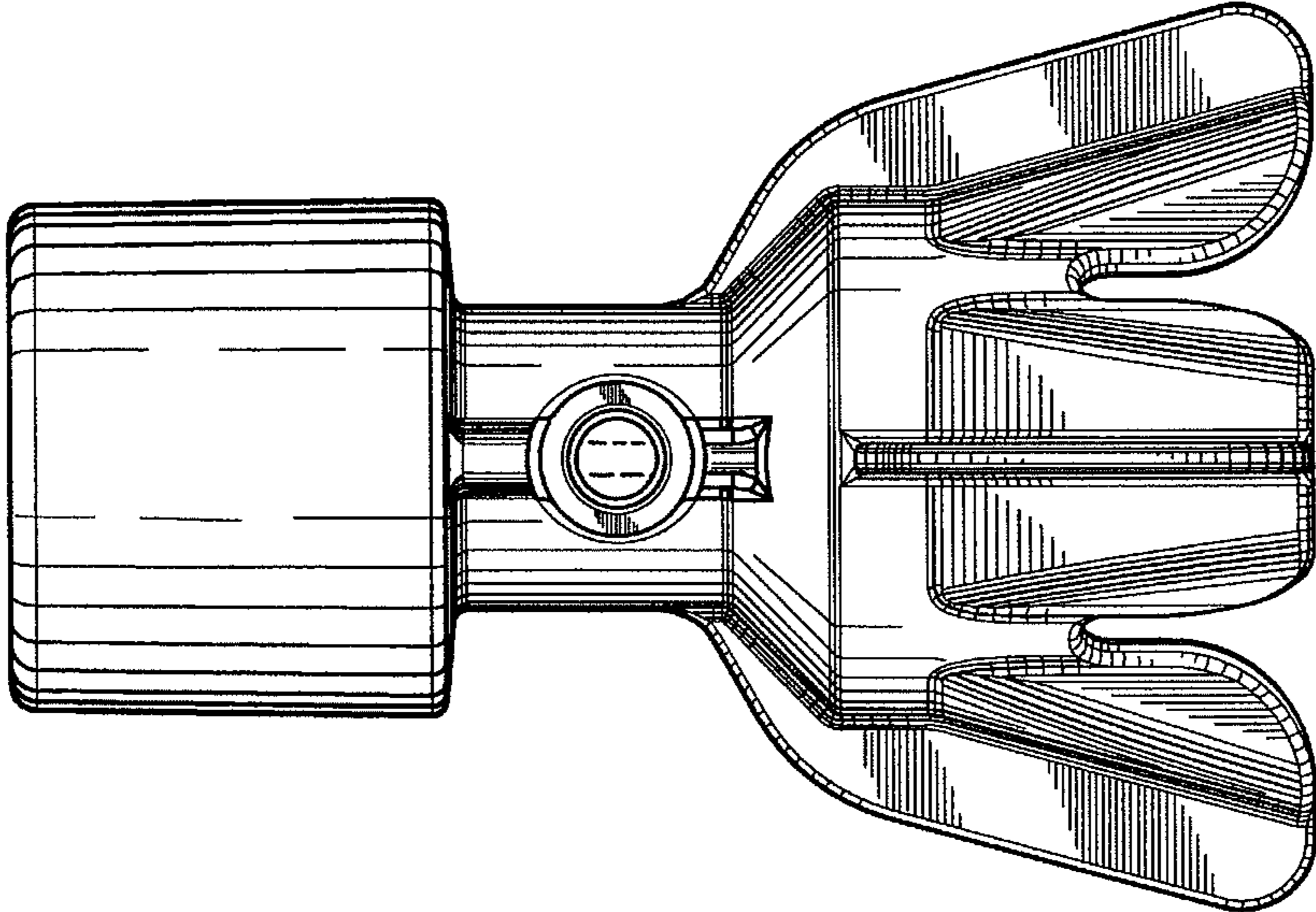


FIG.4

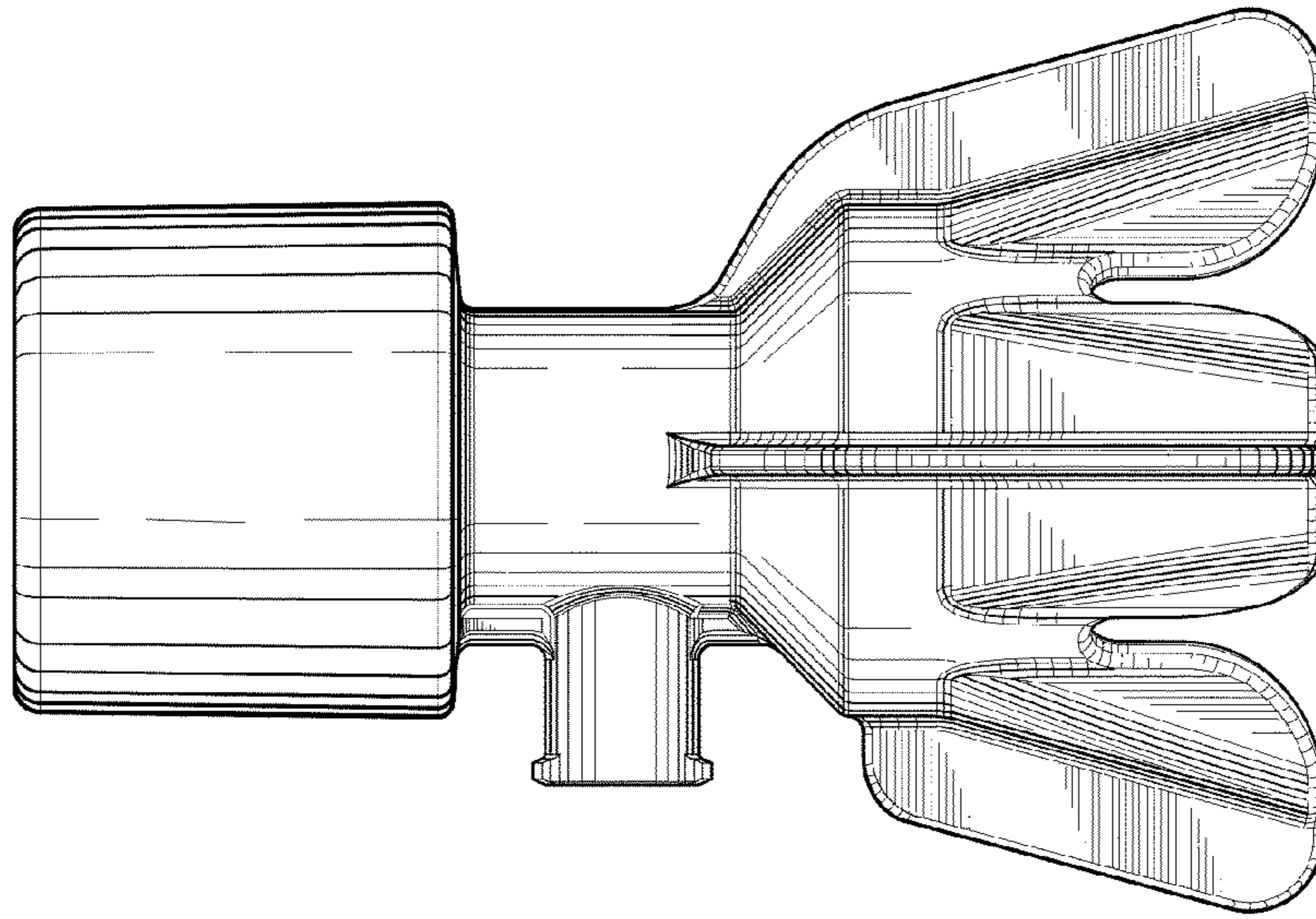


FIG. 5

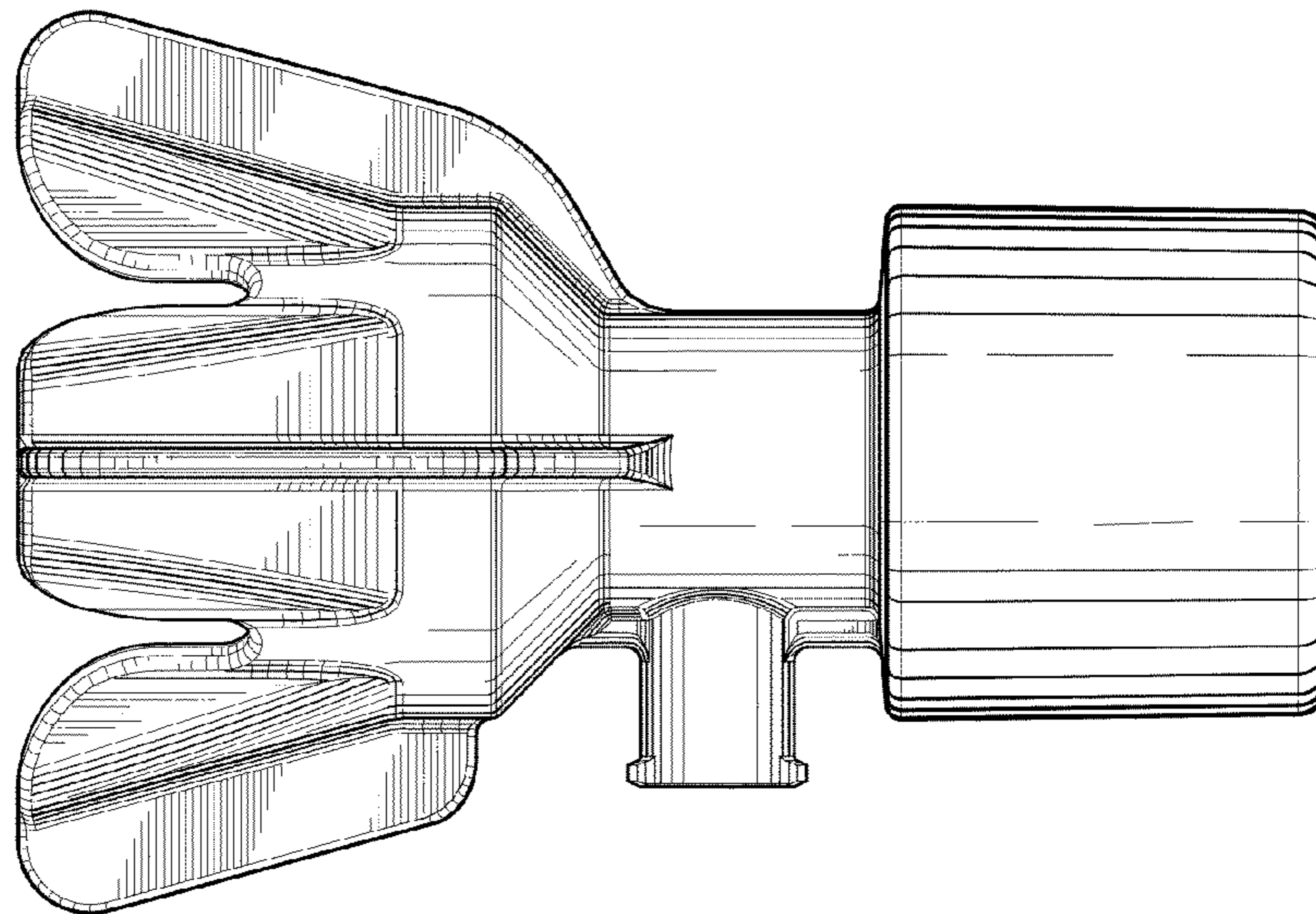


FIG. 6

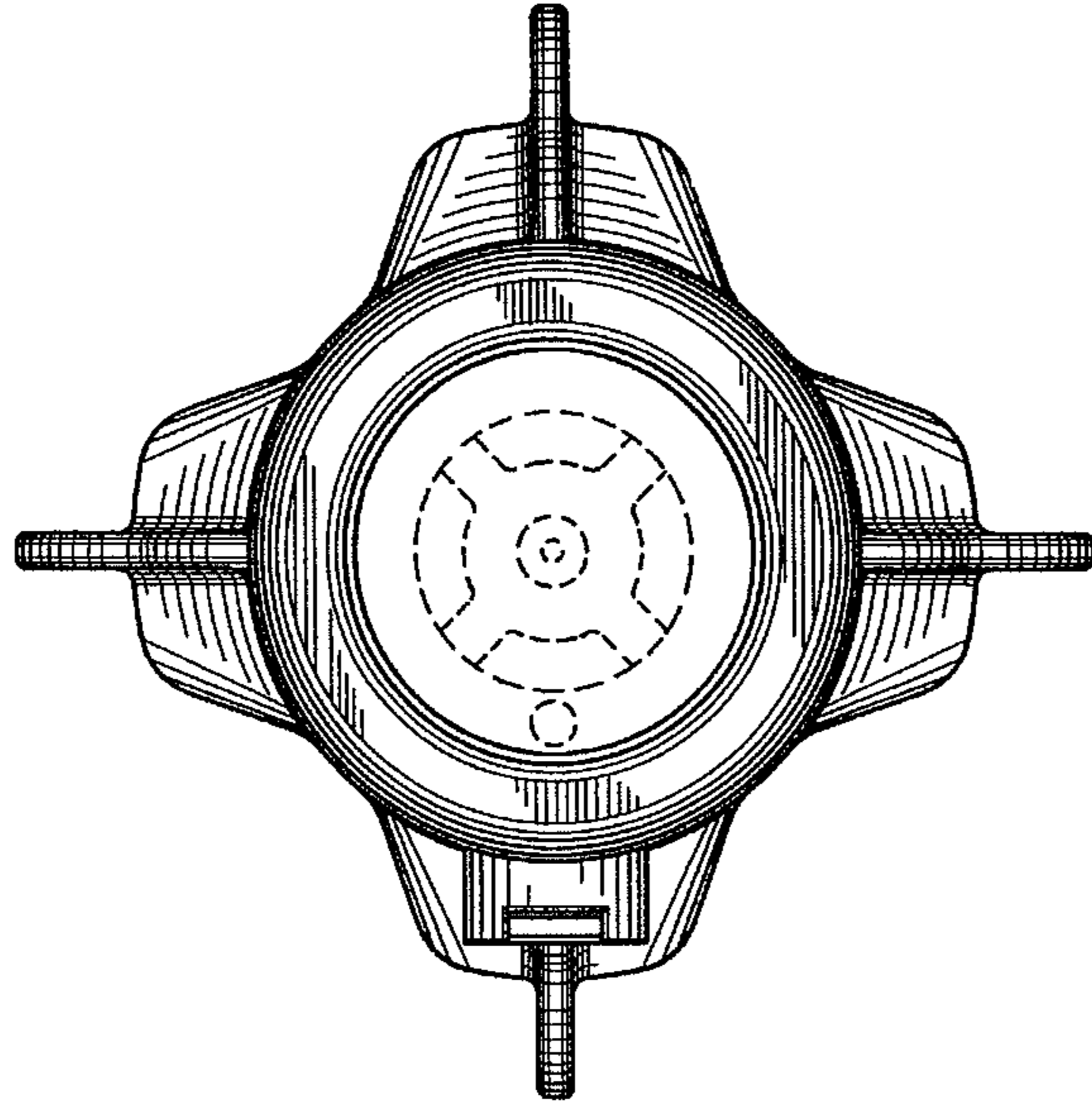


FIG. 7

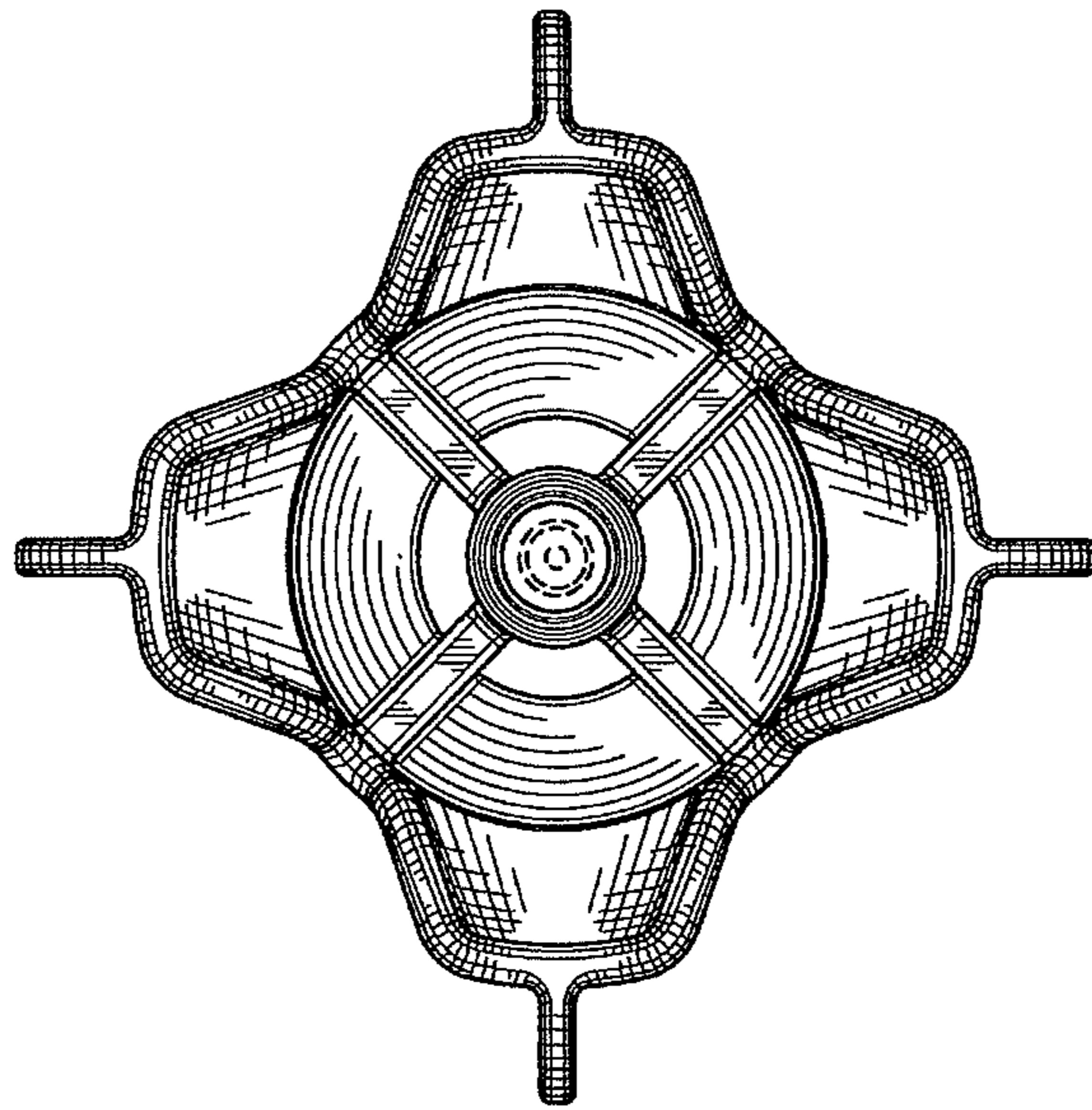


FIG. 8