



US00D695888S

(12) **United States Design Patent**  
**Darab**

(10) **Patent No.:** **US D695,888 S**

(45) **Date of Patent:** **\*\* Dec. 17, 2013**

(54) **FACE MASK FOR ADMINISTRATION OF GASEOUS ANESTHESIA**

(71) Applicant: **David J. Darab**, Hickory, NC (US)

(72) Inventor: **David J. Darab**, Hickory, NC (US)

(73) Assignee: **Anesthesia Innovators, LLC**, Charlotte, NC (US)

(\*\*) Term: **14 Years**

(21) Appl. No.: **29/432,537**

(22) Filed: **Sep. 17, 2012**

(51) **LOC (9) Cl.** ..... **29-02**

(52) **U.S. Cl.**  
USPC ..... **D24/110.4**

(58) **Field of Classification Search**  
USPC ..... D24/110.1-110.4; 128/206.21, 206.24, 128/206.26, 206.27, 206.28, 207.11  
See application file for complete search history.

(56) **References Cited**

**U.S. PATENT DOCUMENTS**

D293,613	S *	1/1988	Wingler	.....	D24/110.1
4,807,617	A *	2/1989	Nesti	.....	128/205.12
6,196,223	B1 *	3/2001	Belfer et al.	.....	128/206.25
7,207,335	B2 *	4/2007	Kwok et al.	.....	128/207.12
7,243,649	B2	7/2007	Moening et al.		
D582,031	S *	12/2008	Sorensen et al.	.....	D24/110.4
D598,537	S *	8/2009	Nashed	.....	D24/110.1
D615,643	S *	5/2010	Nashed	.....	D24/110.1
7,753,051	B2 *	7/2010	Burrow et al.	.....	128/207.11
7,909,035	B2 *	3/2011	Thornton	.....	128/206.21
8,020,276	B2 *	9/2011	Thornton	.....	29/464
2006/0185675	A1 *	8/2006	Colin	.....	128/206.24
2008/0295845	A1 *	12/2008	Nashed	.....	128/206.26

**OTHER PUBLICATIONS**

Safe Sedate®, "Dental Nasal Mask Instructions" Med-Dent Safety and Supply Company, pp. 1-4, printed Nov. 9, 2012.

\* cited by examiner

*Primary Examiner* — Ian Simmons

*Assistant Examiner* — Richelle Shelton

(74) *Attorney, Agent, or Firm* — McDonnell Boehnen Hulbert & Berghoff LLP

(57) **CLAIM**

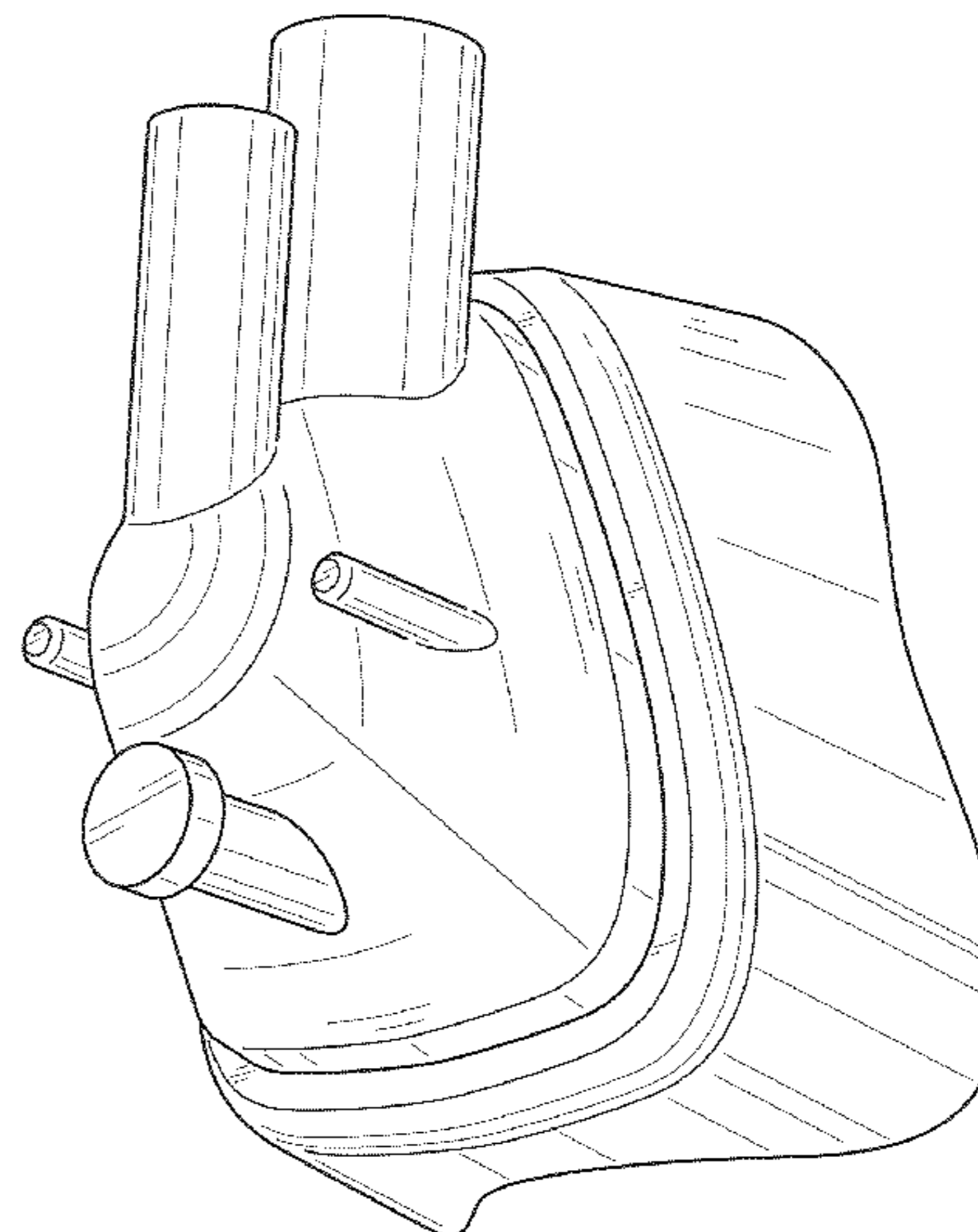
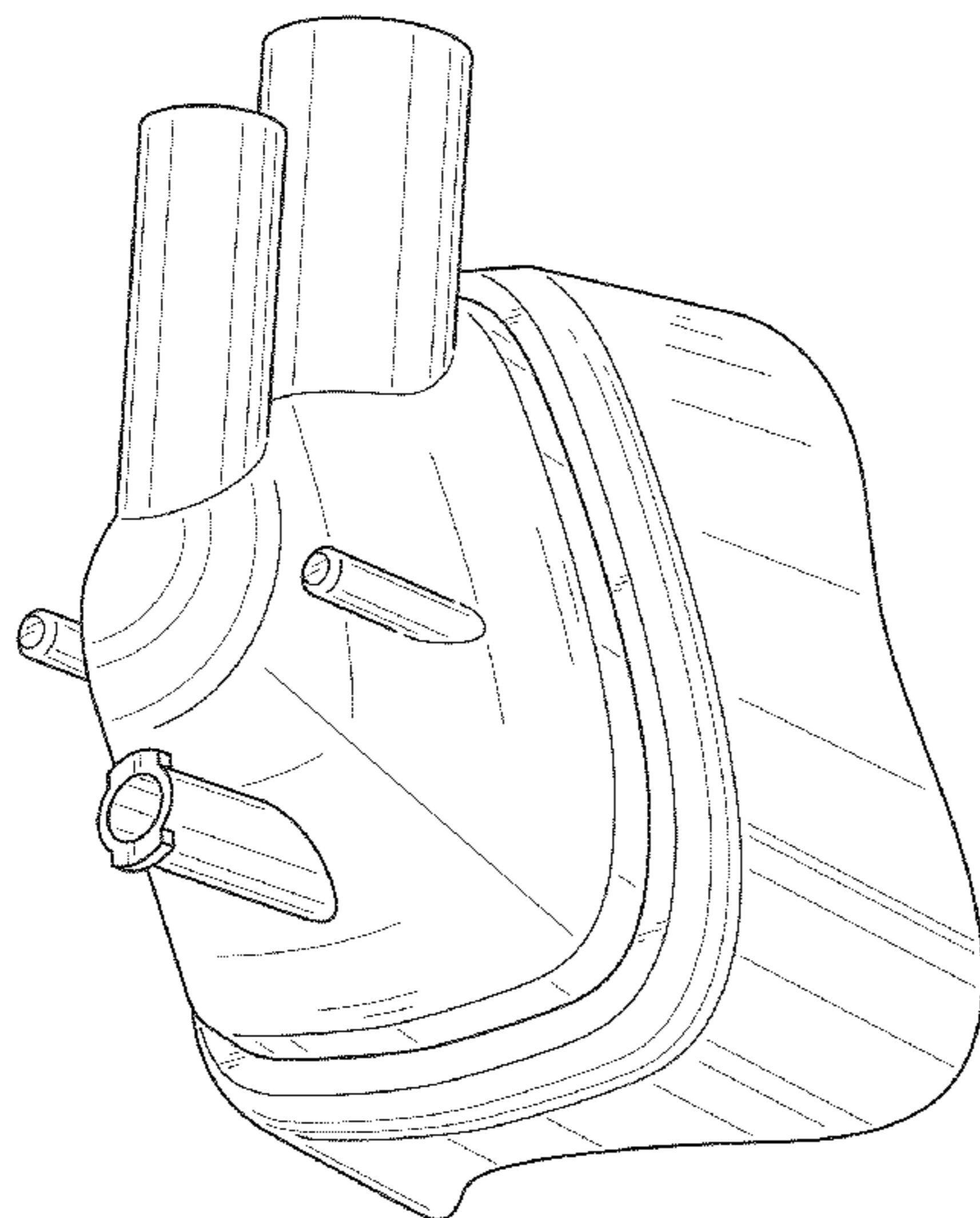
The ornamental design for a face mask for administration of gaseous anesthesia, as shown and described.

**DESCRIPTION**

FIG. 1 is a perspective view of a face mask for administration of gaseous anesthesia shown with the cap portion removed; FIG. 2 is a front elevation view thereof; FIG. 3 is a rear elevation view thereof; FIG. 4 is a left side elevation view thereof; FIG. 5 is a right side elevation view thereof; FIG. 6 is a top plan view thereof; and FIG. 7 is a bottom plan view thereof. FIG. 8 is a perspective view thereof; FIG. 9 is a perspective view of the face mask for administration of gaseous anesthesia, showing my new design; FIG. 10 is a front elevation view thereof; FIG. 11 is a rear elevation view thereof; FIG. 12 is a left side elevation view thereof; FIG. 13 is a right side elevation view thereof; FIG. 14 is a top plan view thereof; FIG. 15 is a bottom plan view thereof; and, FIG. 16 is a perspective view thereof.

The broken line showing in FIGS. 8 and 16 of the gas source and removal connections, and head strap, is included for the purpose of illustrating an environment and forms no part of the claimed design.

**1 Claim, 16 Drawing Sheets**



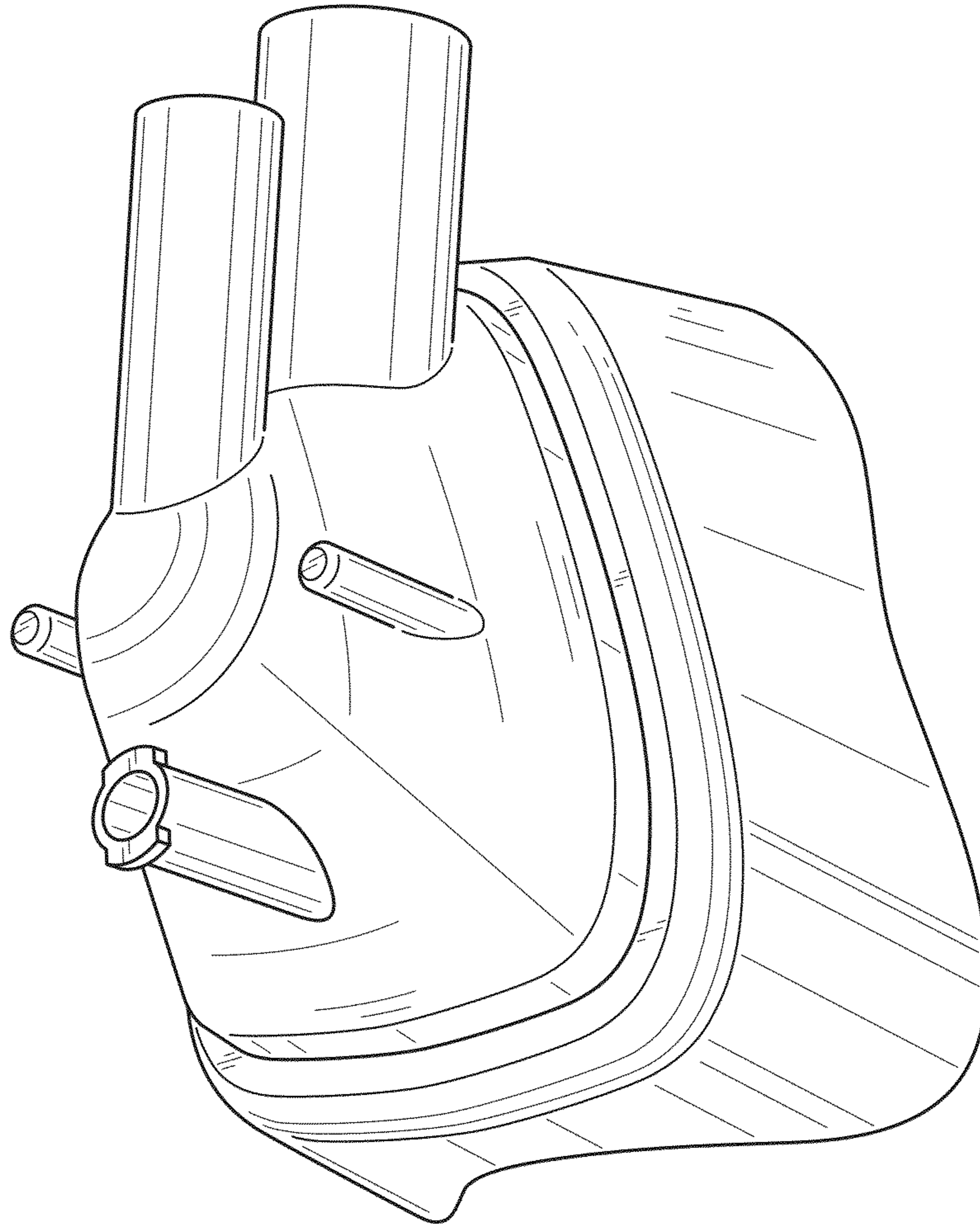


FIG. 1

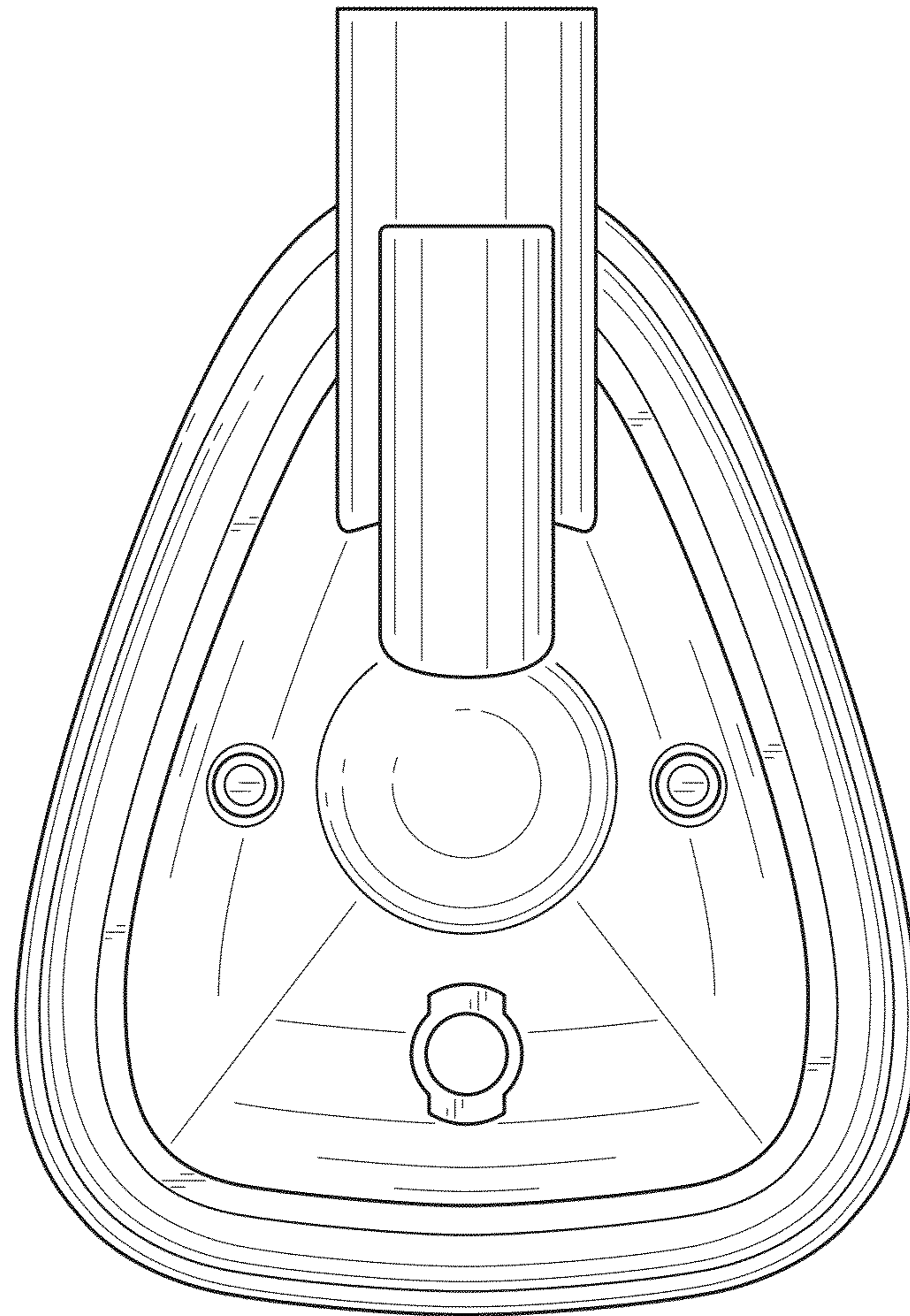


FIG. 2

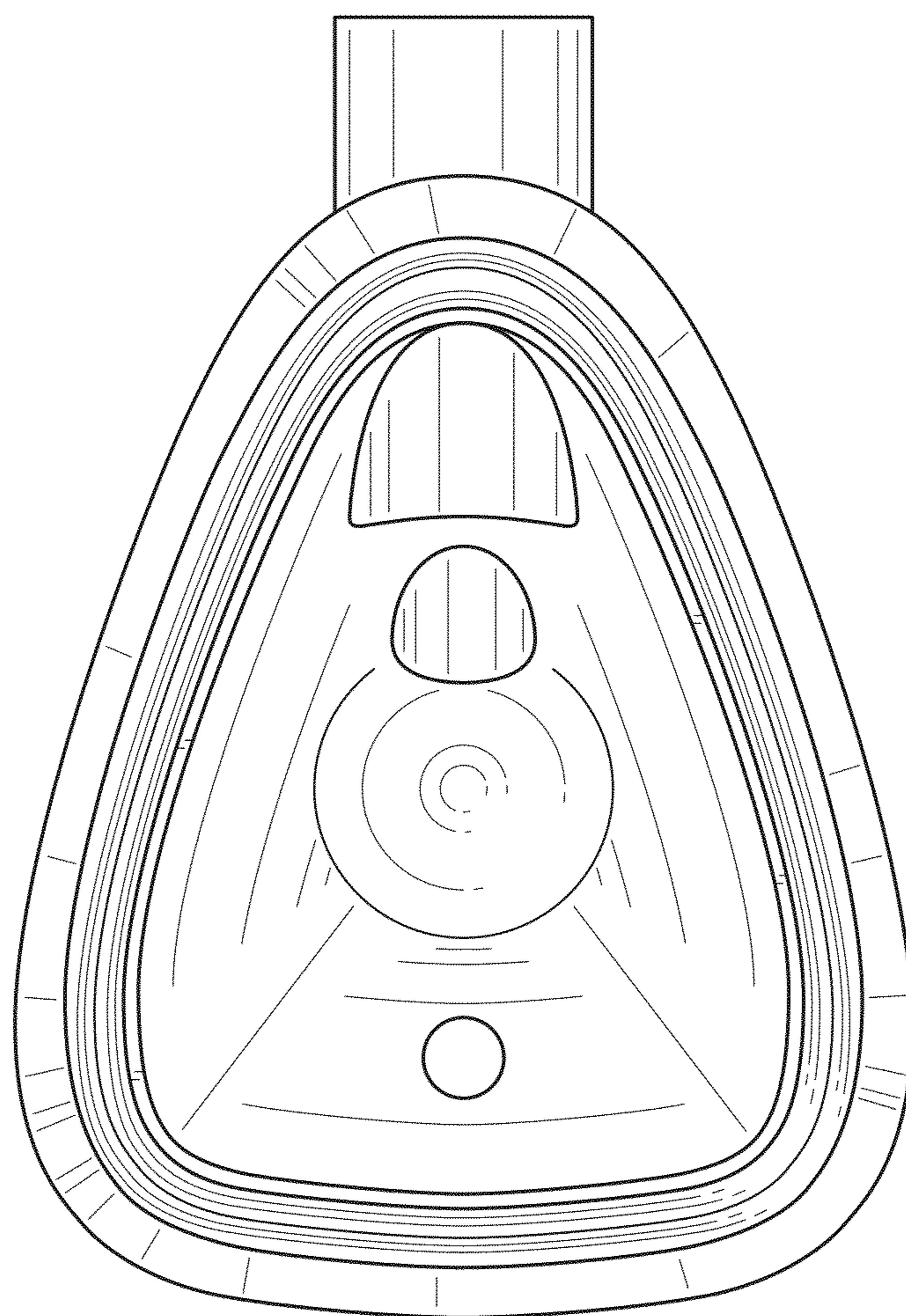


FIG. 3

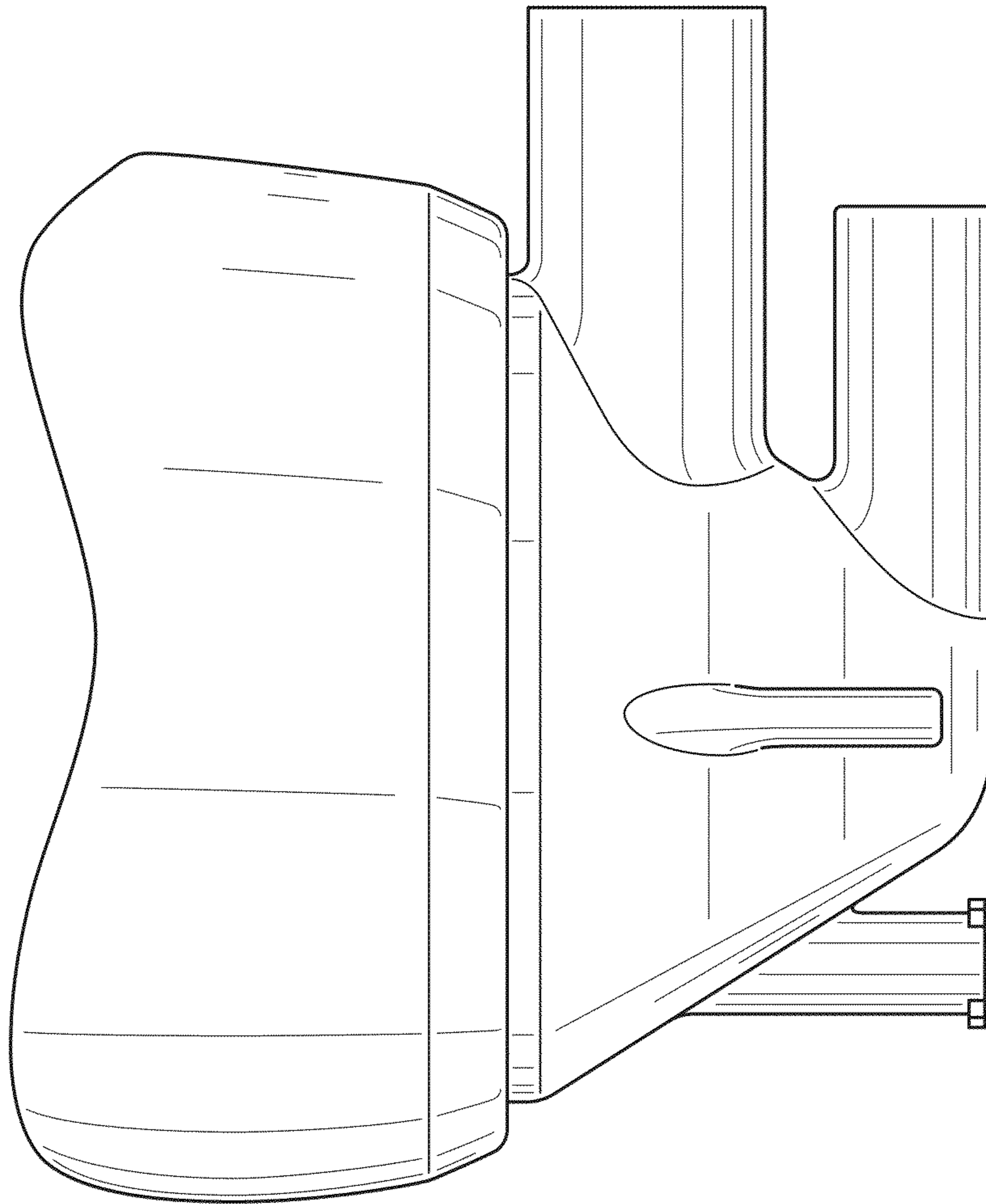


FIG. 4

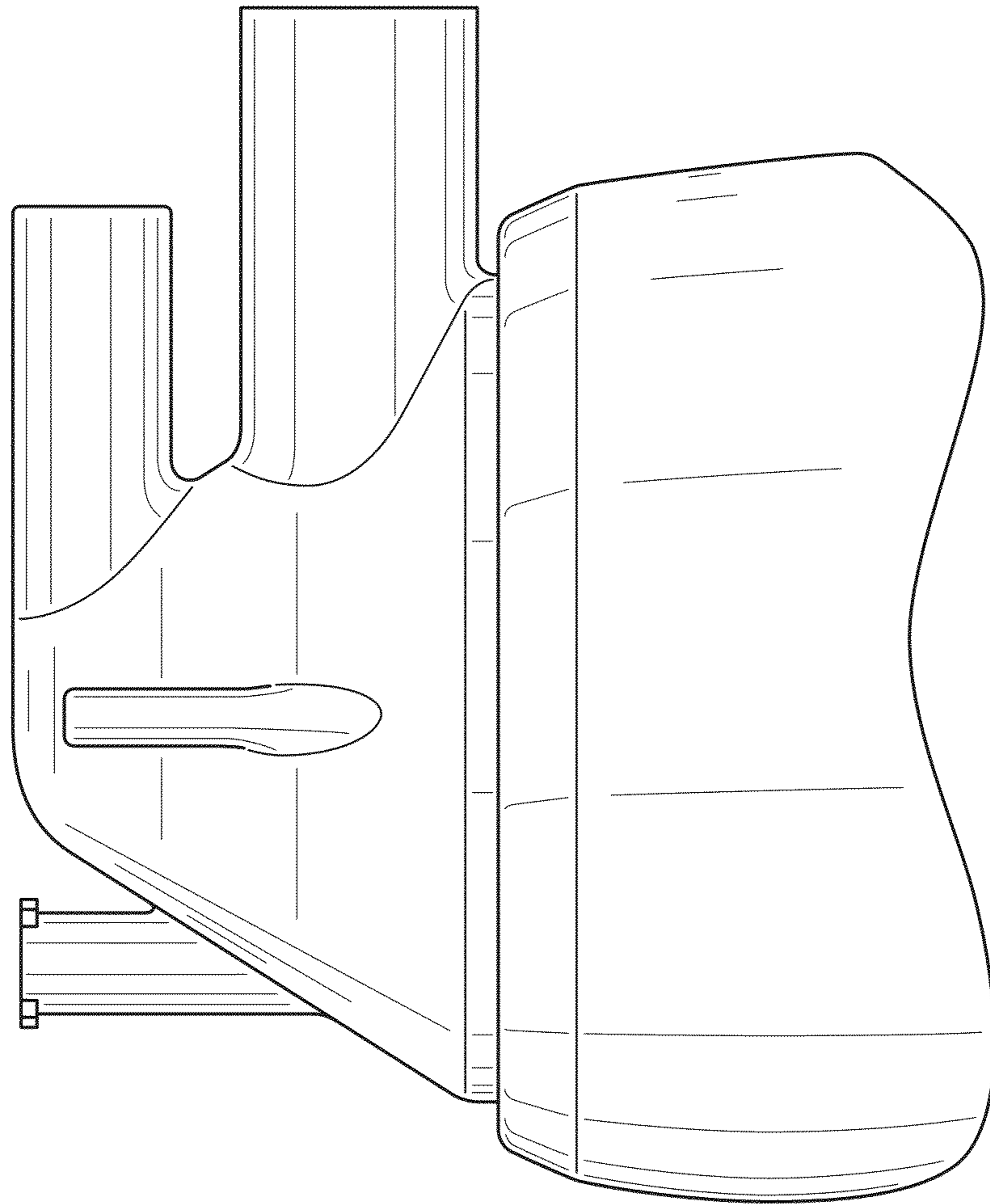


FIG. 5

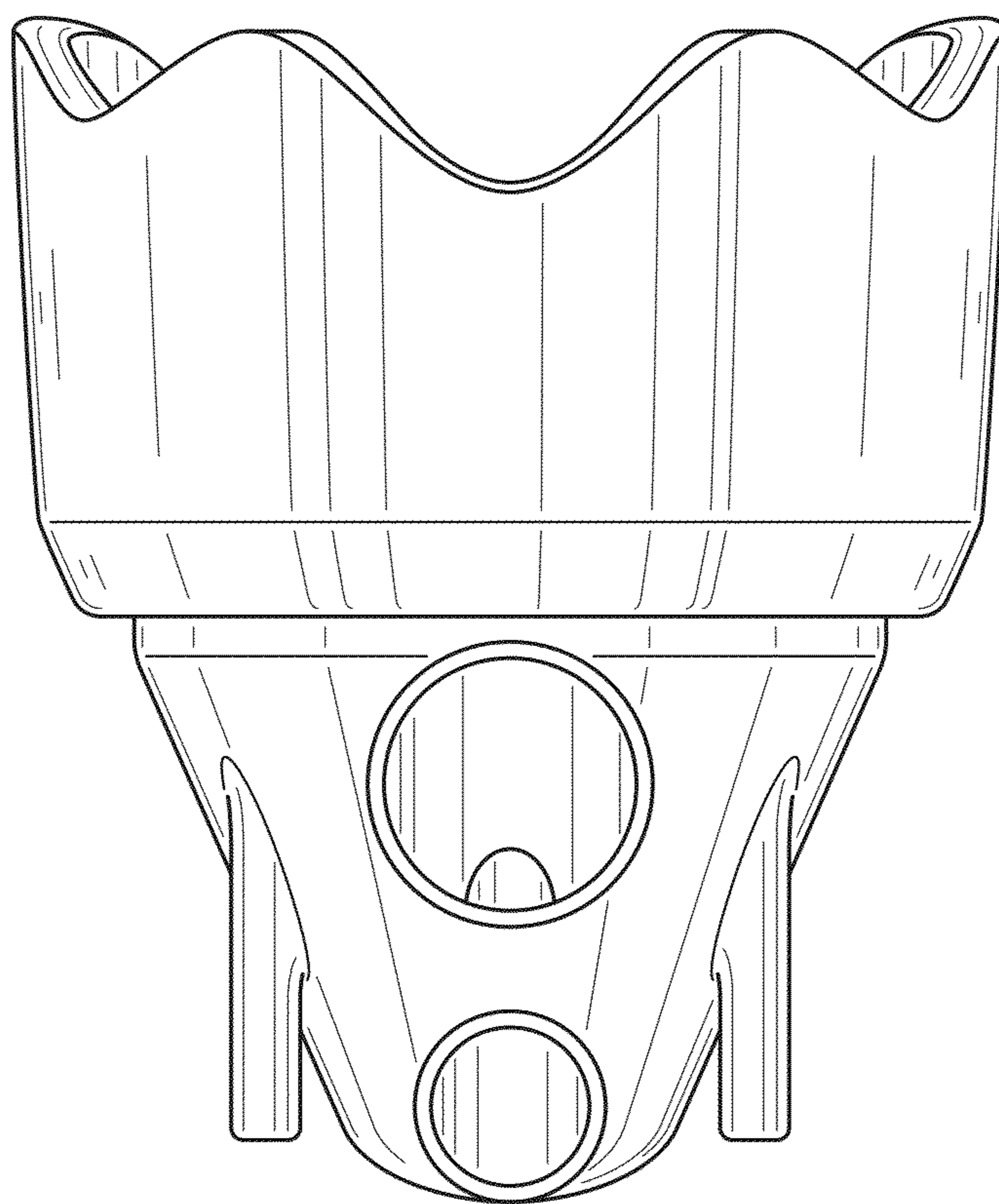


FIG. 6

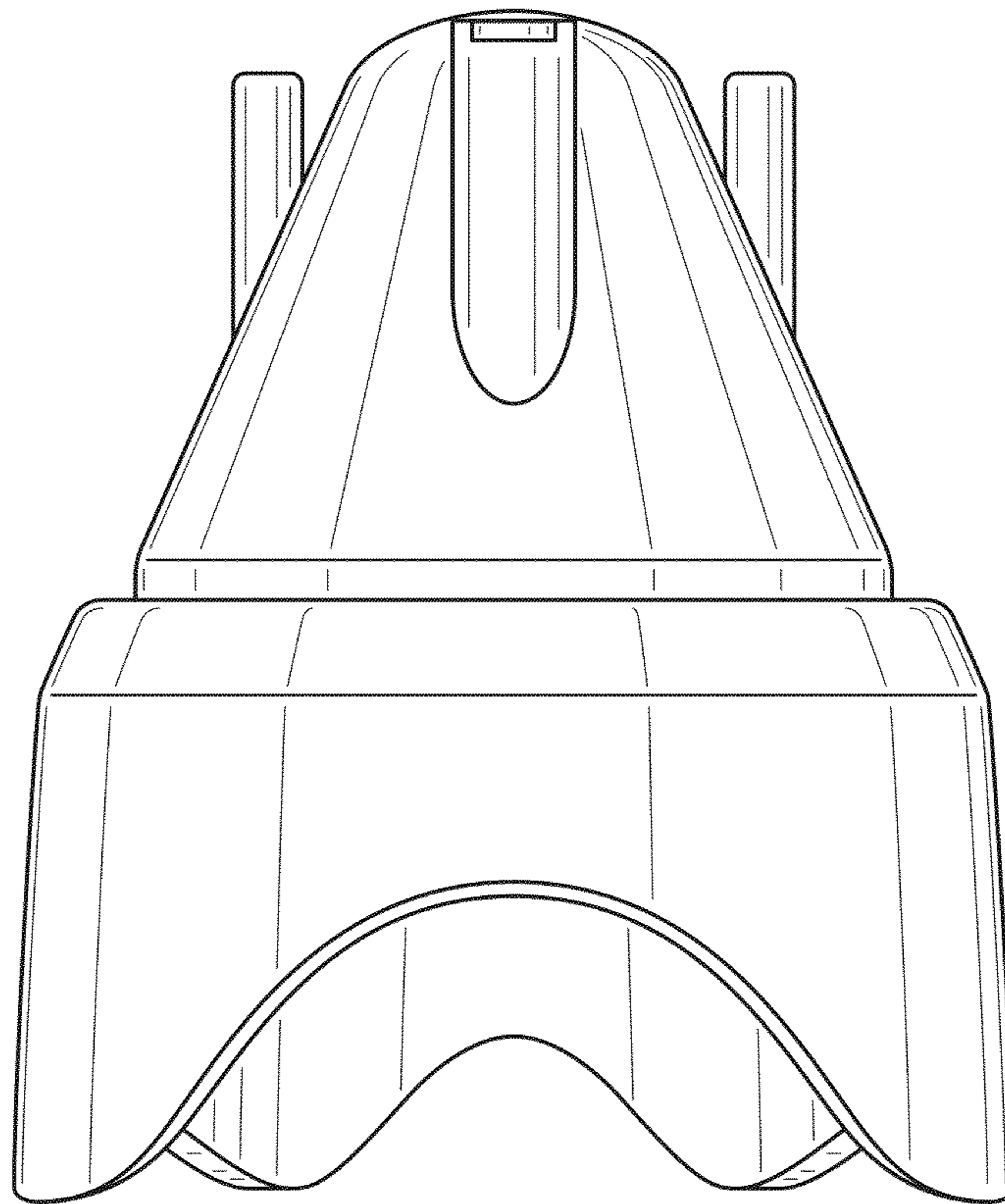


FIG. 7



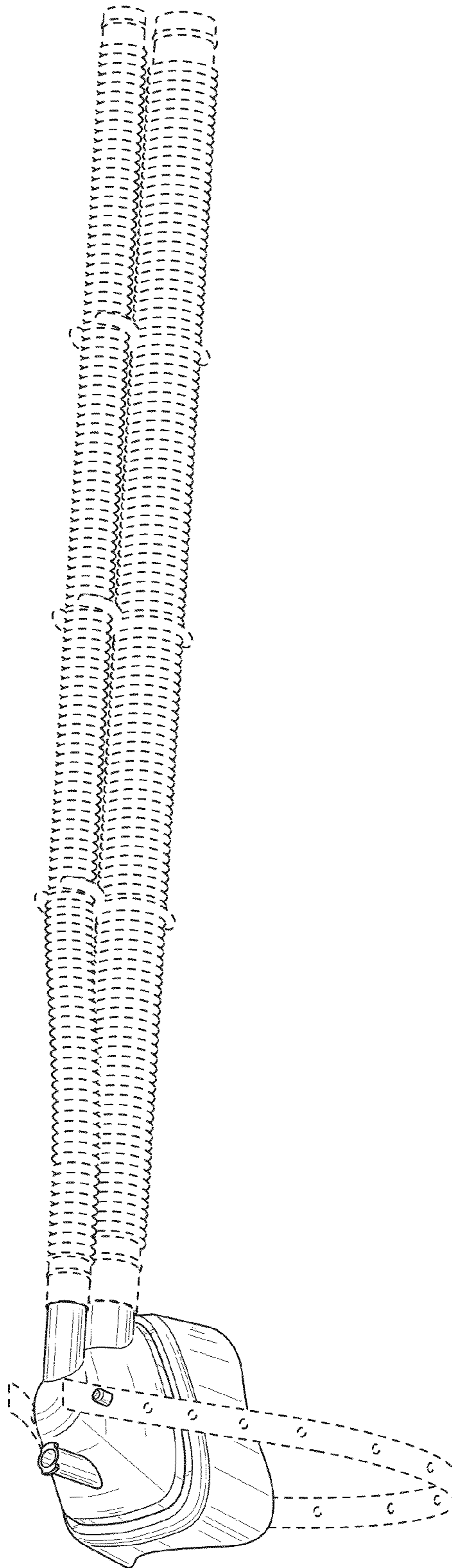


FIG. 8

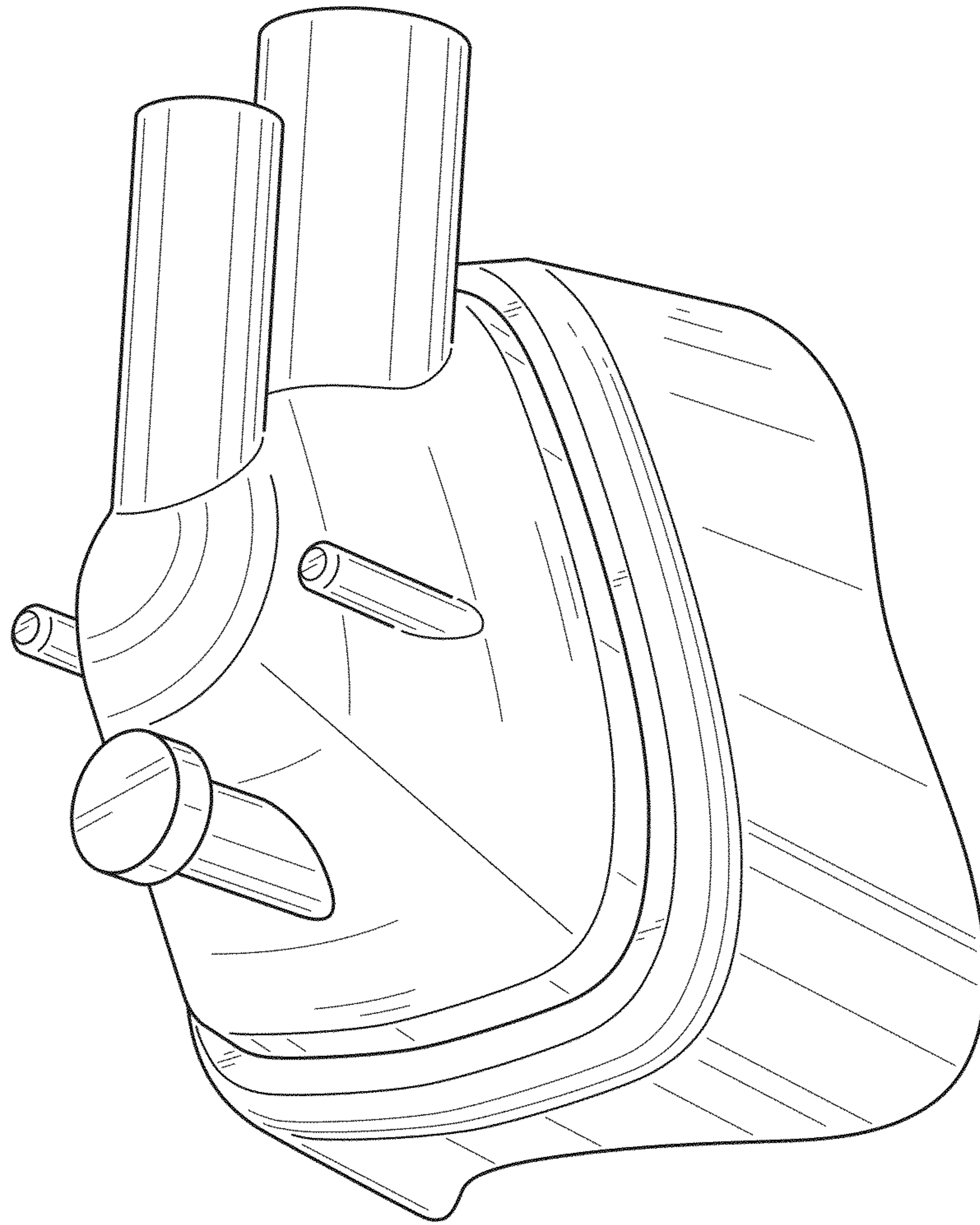


FIG. 9

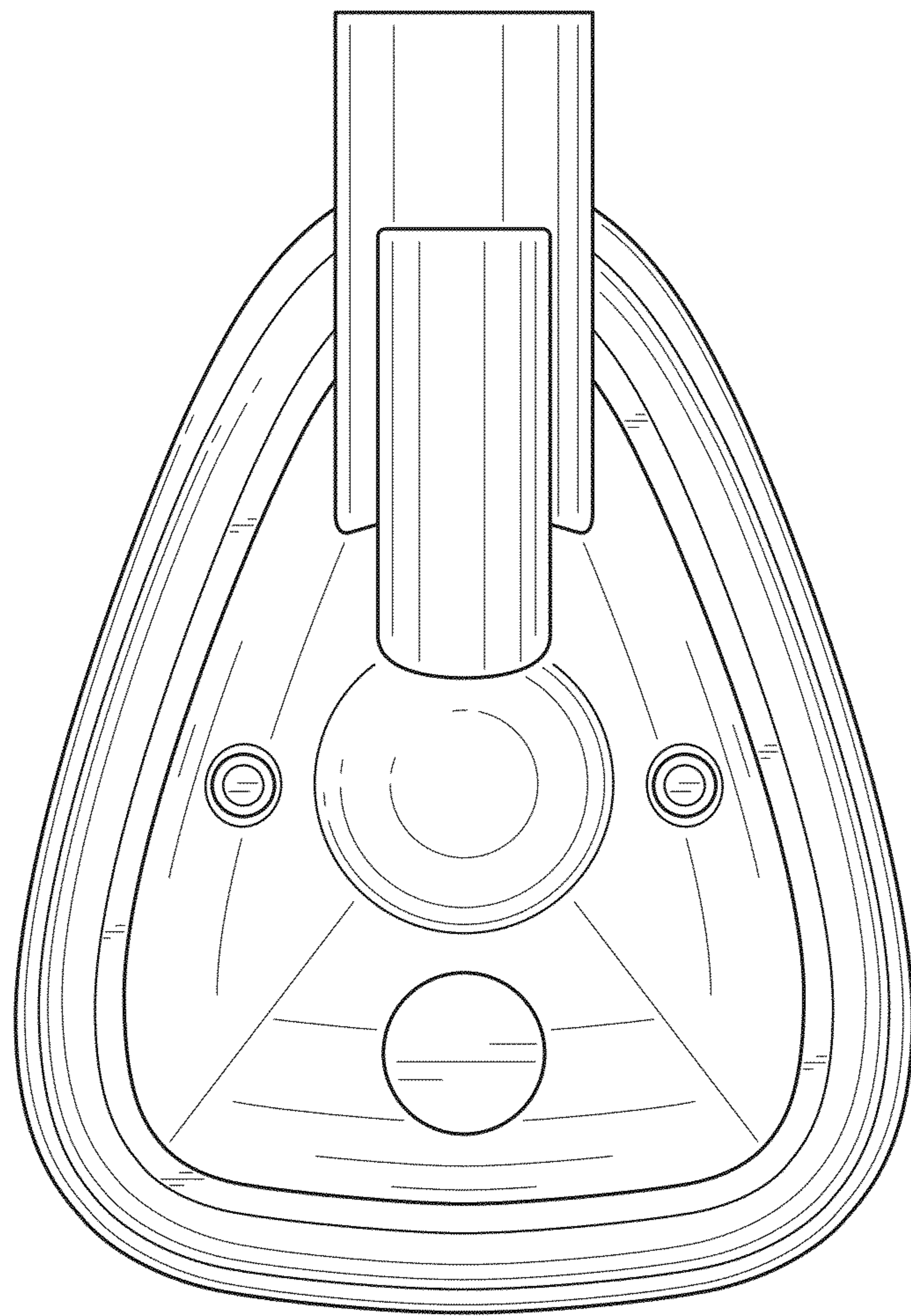


FIG. 10

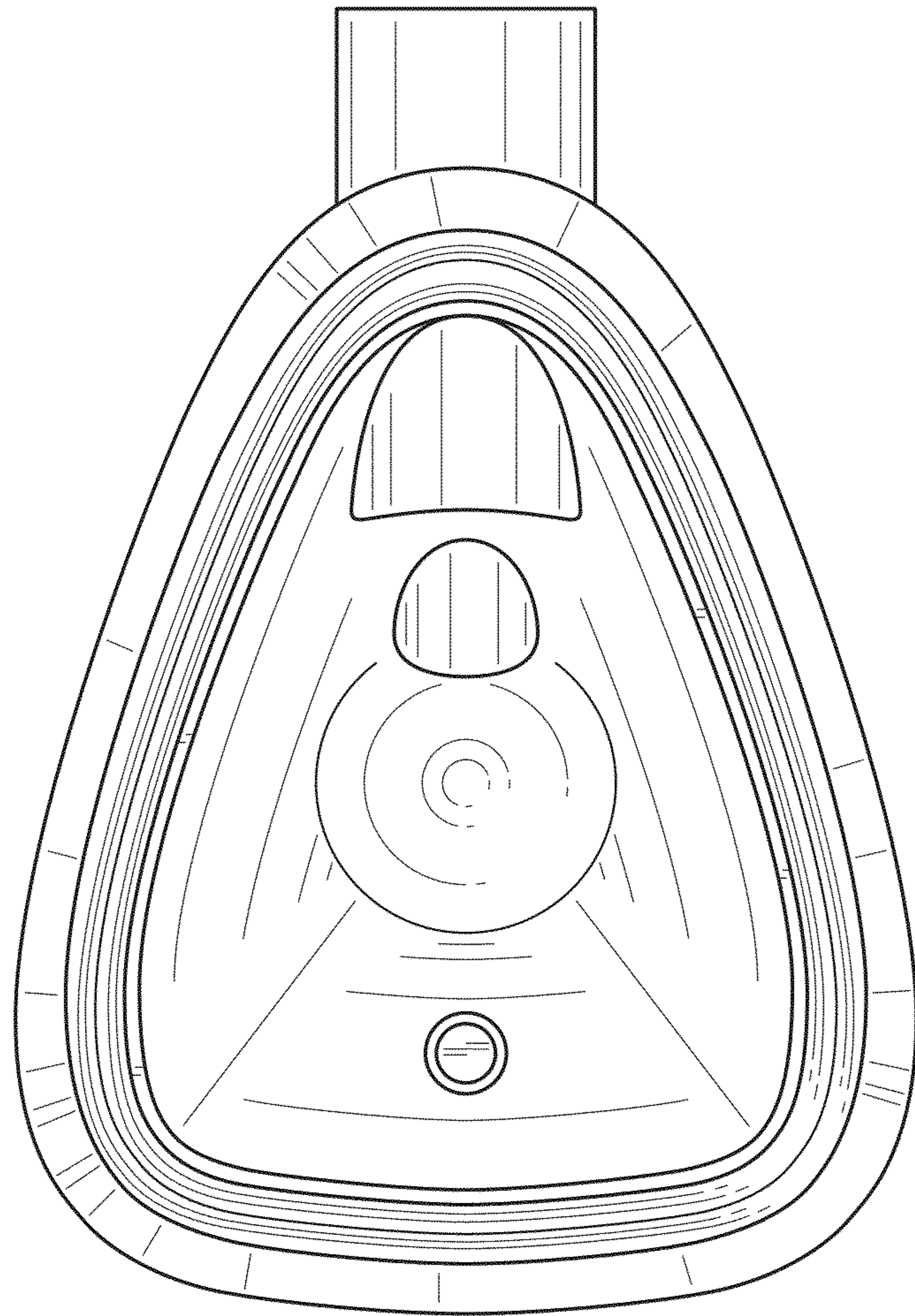


FIG. 11

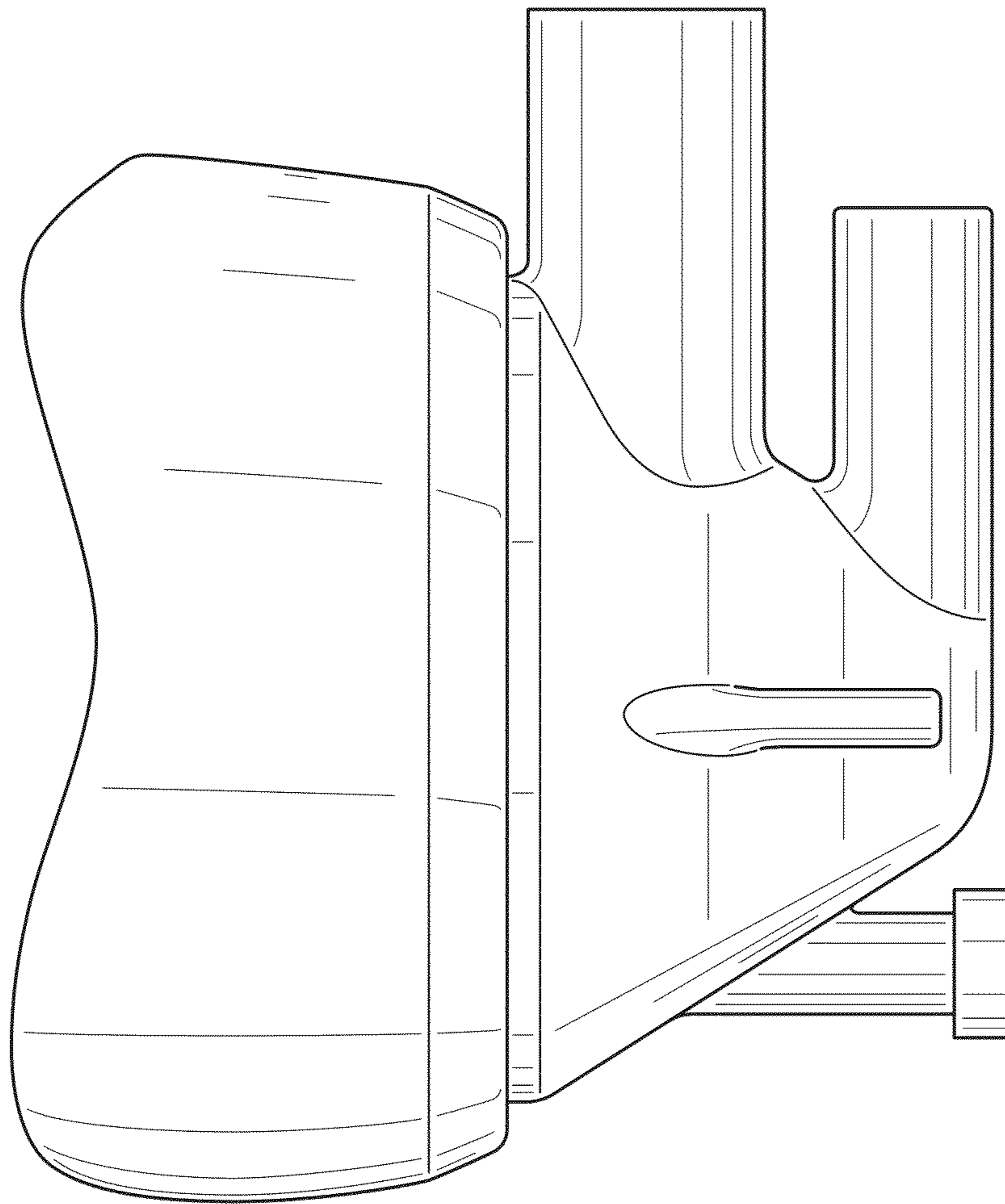


FIG. 12

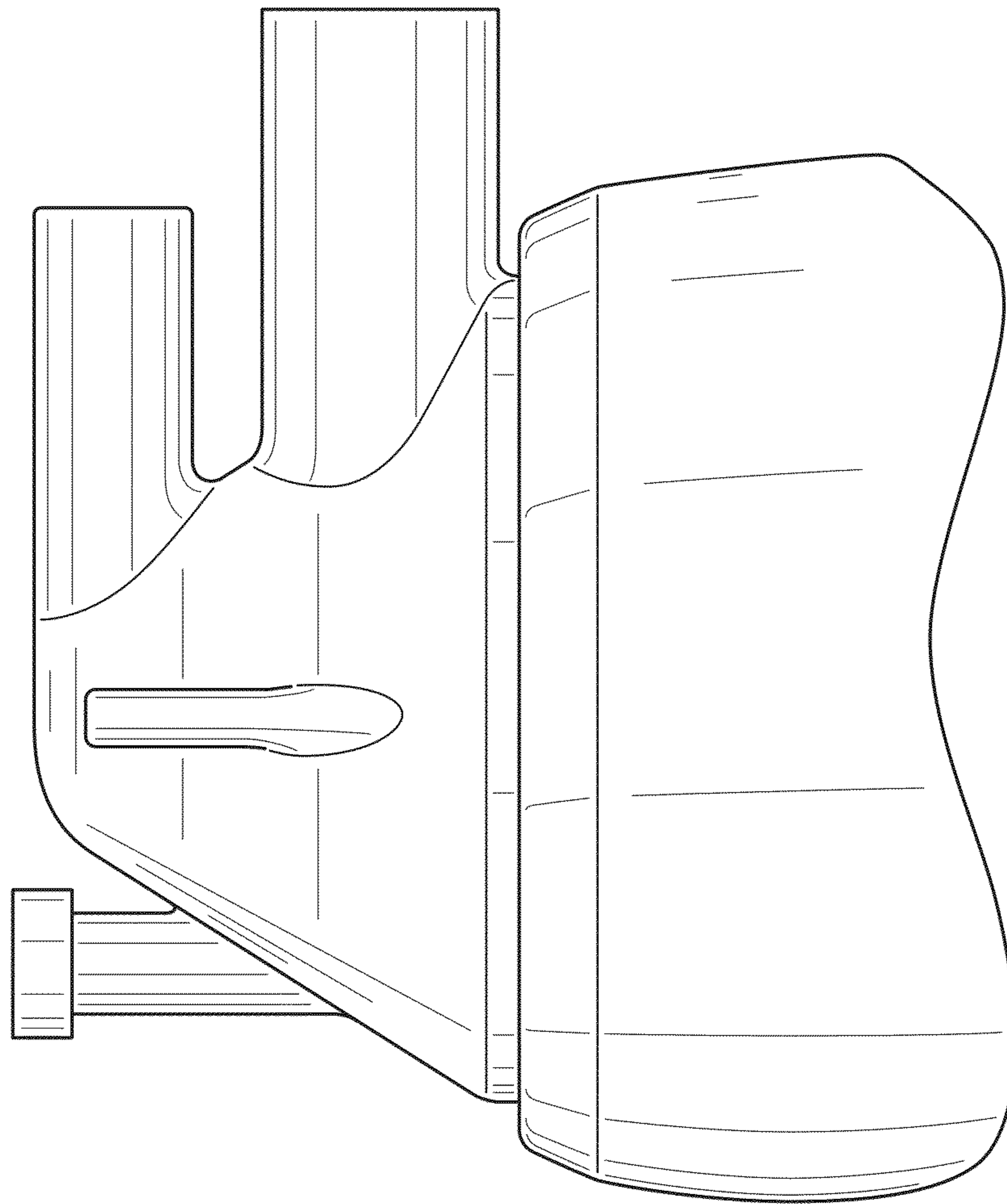


FIG. 13

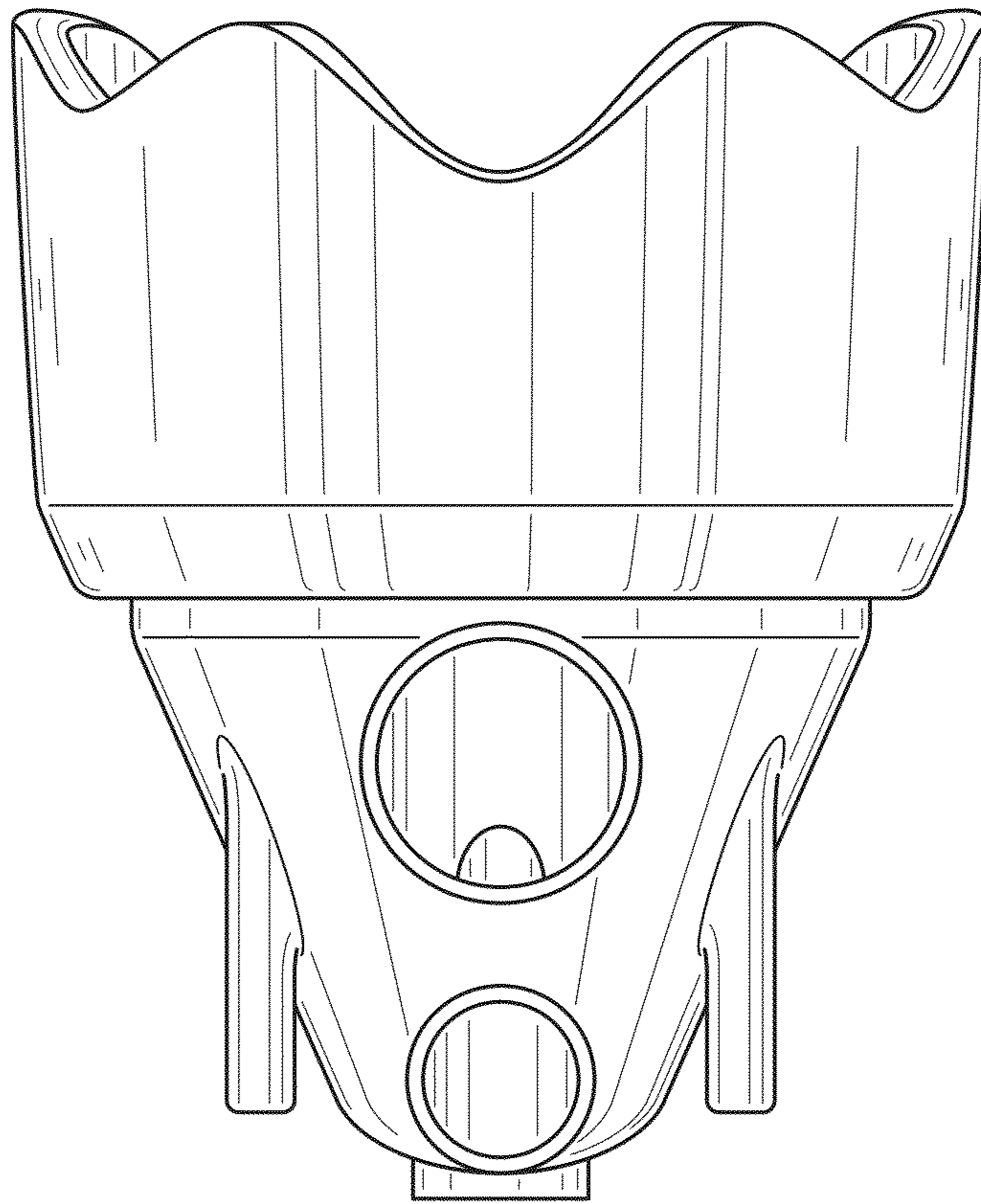


FIG. 14

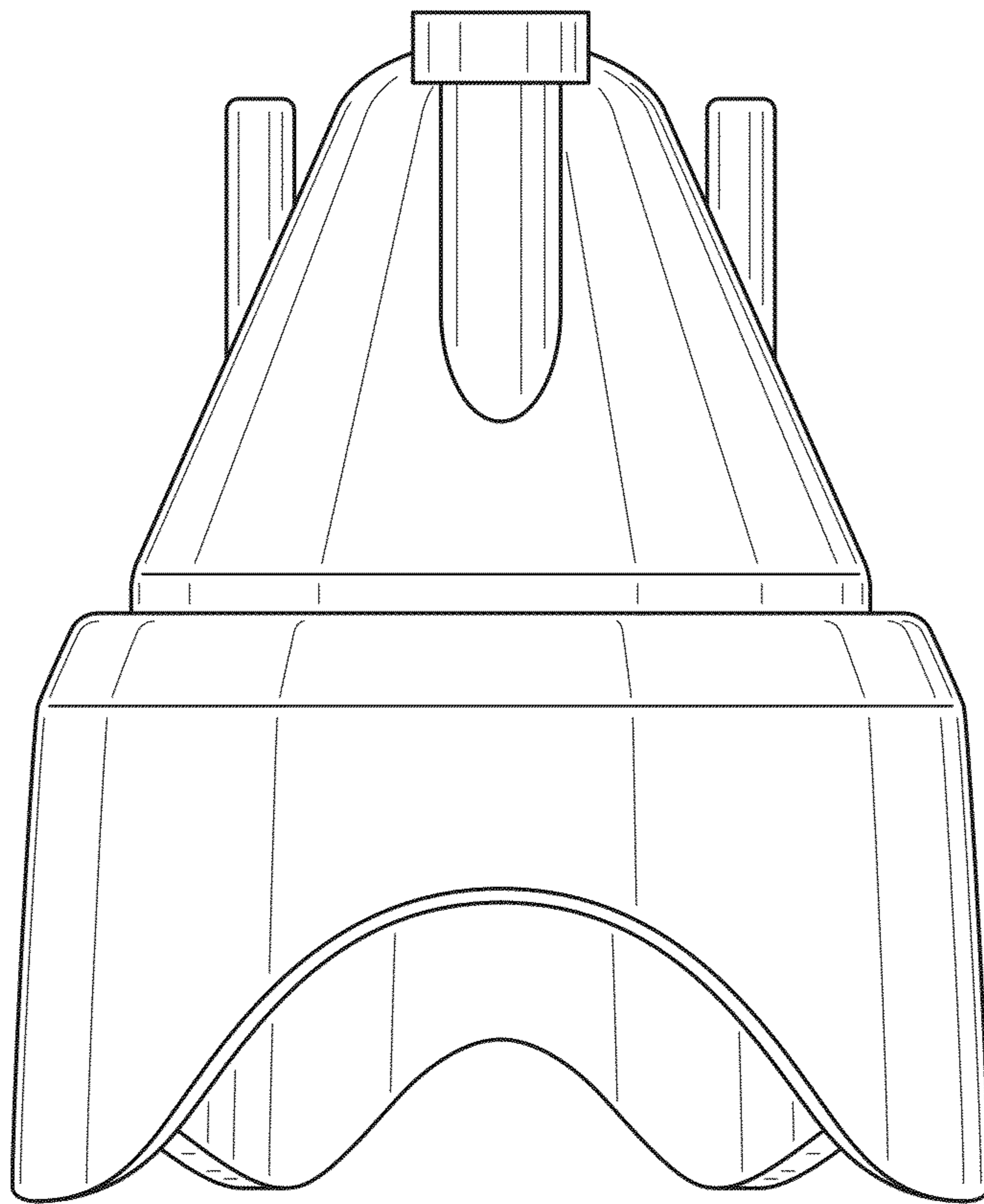


FIG. 15



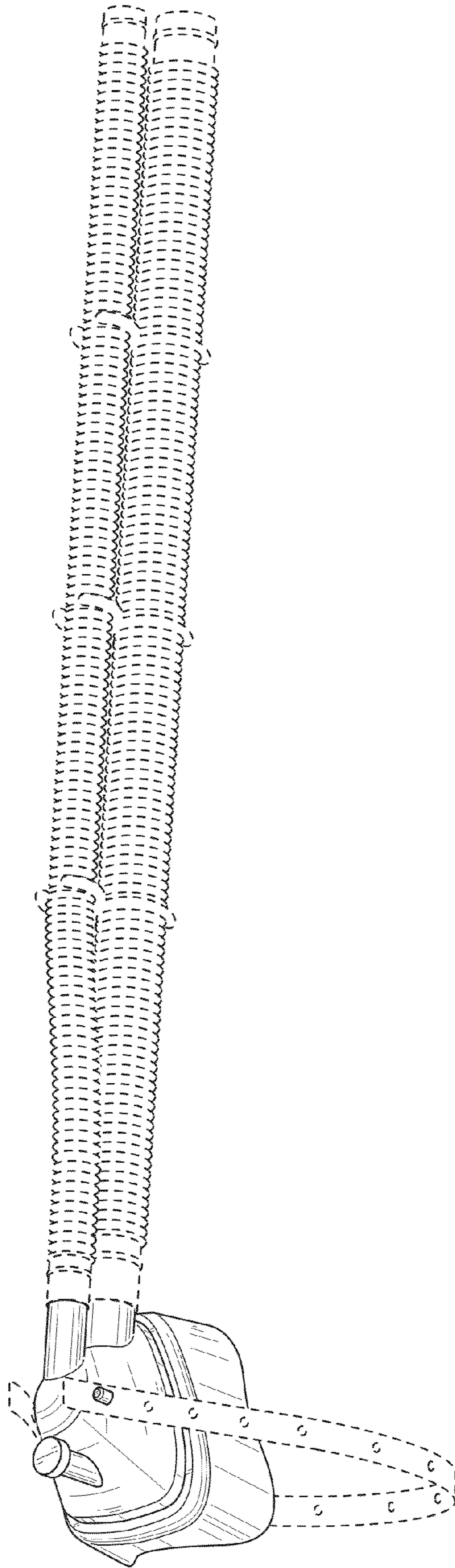


FIG. 16