

US00D695881S

(12) **United States Design Patent**
Aldana

(10) **Patent No.:** **US D695,881 S**

(45) **Date of Patent:** **** Dec. 17, 2013**

(54) **BEVERAGE TEMPERATURE CONTROL ATTACHMENT HOSE**

(76) Inventor: **Gabriel S. Aldana**, Norwalk, CA (US)

(**) Term: **14 Years**

(21) Appl. No.: **29/398,012**

(22) Filed: **Jul. 25, 2011**

(51) **LOC (9) Cl.** **12-16**

(52) **U.S. Cl.**
USPC **D23/324**

(58) **Field of Classification Search**
USPC D23/266, 262, 314, 324, 328; 454/119,
454/903; 165/41, 80.1, 244, 457
See application file for complete search history.

(56) **References Cited**

U.S. PATENT DOCUMENTS

3,916,639	A *	11/1975	Atkinson	62/239
4,738,242	A *	4/1988	Hart	126/271.1
4,892,138	A	1/1990	Bibik, Jr.		
D307,047	S *	4/1990	Watson	D23/266
5,050,399	A	9/1991	Peahl		
5,160,811	A *	11/1992	Ritzmann	174/68.3
5,203,833	A	4/1993	Howell		
5,355,694	A *	10/1994	Morrow et al.	62/244
5,540,409	A	7/1996	Cunningham		
5,794,683	A *	8/1998	Kutzner	165/41

6,401,758	B1 *	6/2002	Ziv-Av	138/43
6,884,159	B1 *	4/2005	Ferraud, Jr.	454/119
7,240,930	B2 *	7/2007	Stravitz	285/419
D620,579	S *	7/2010	Lehmeier	D23/371
8,248,781	B2 *	8/2012	Sun et al.	361/679.49
2002/0127966	A1 *	9/2002	Rich	454/341
2005/0113014	A1 *	5/2005	Everhart et al.	454/119

* cited by examiner

Primary Examiner — T. Chase Nelson

Assistant Examiner — Ania Aman

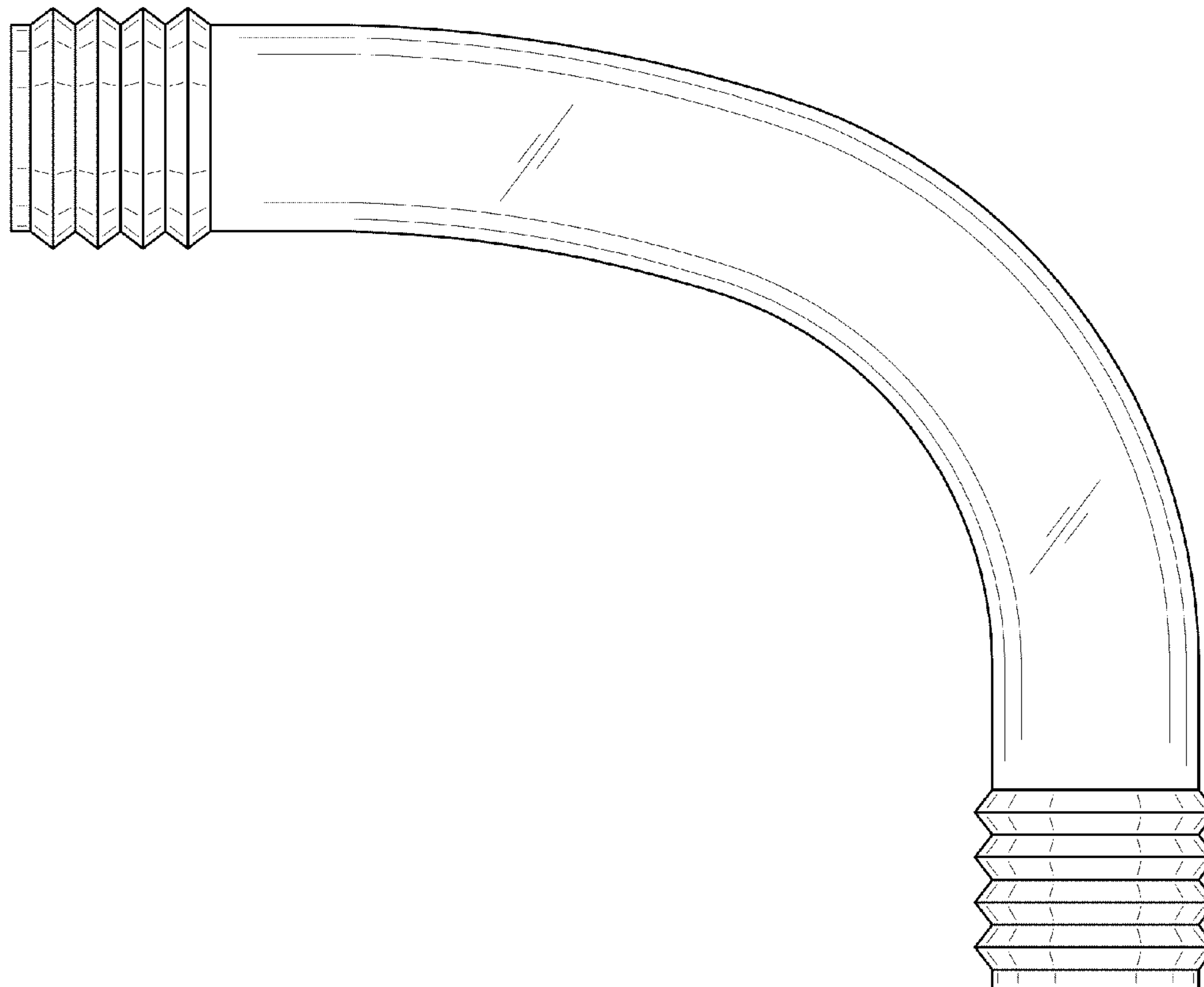
(57) **CLAIM**

The ornamental design for a beverage temperature control attachment hose, as shown and described.

DESCRIPTION

FIG. 1 is a right elevation view of a beverage temperature control attachment hose showing my new design, the opposite side being a mirror image of the shown; FIG. 2 is a front elevation view thereof; FIG. 3 is a rear elevation view thereof; FIG. 4 is a top plan elevation view thereof; FIG. 5 is a bottom plan view thereof; FIG. 6 is an isometric view thereof; and, FIG. 7 is an in-use view thereof. The broken lines in the drawings depict environmental subject matter only and form no part of the claimed design.

1 Claim, 5 Drawing Sheets



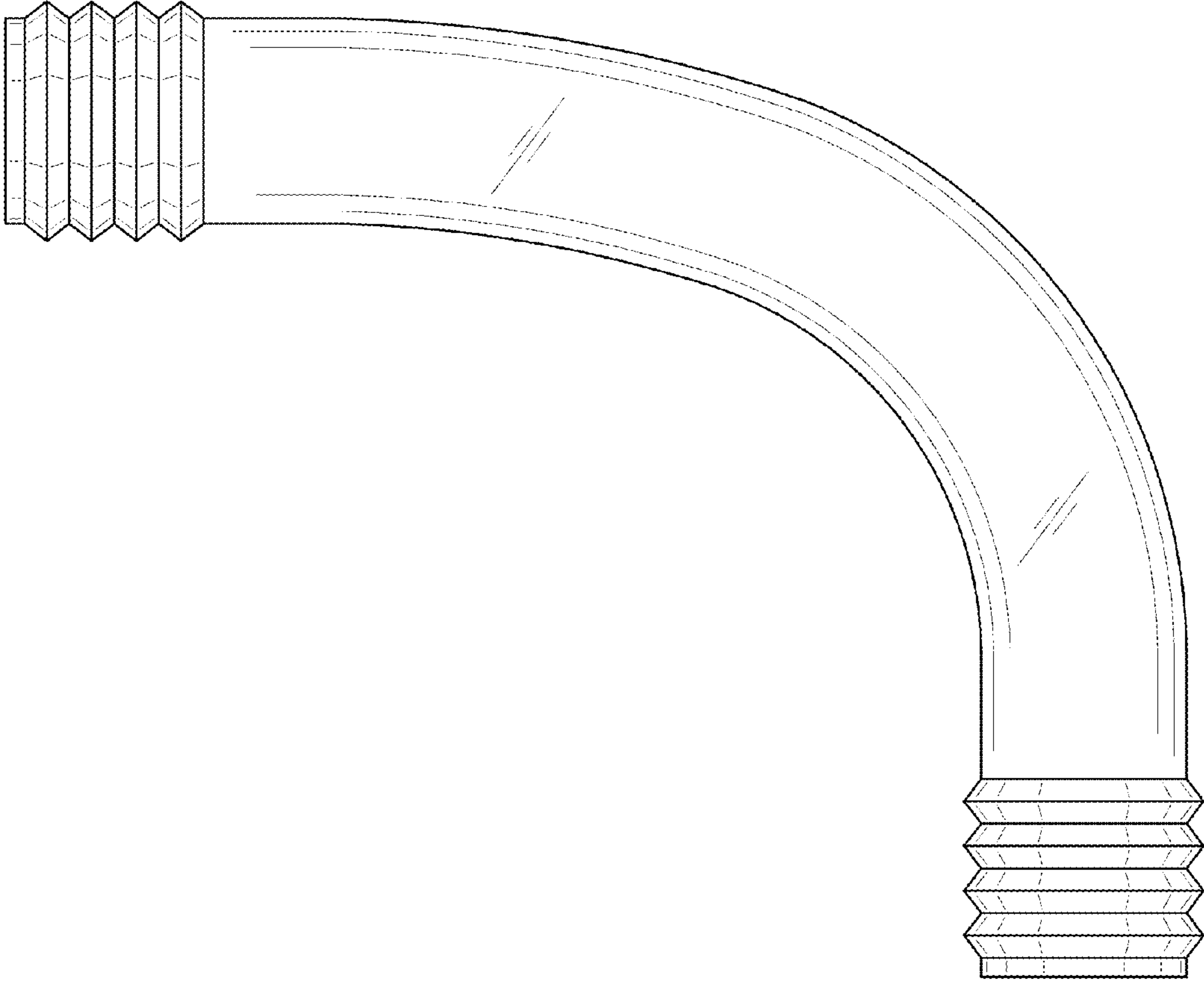


FIG. 1

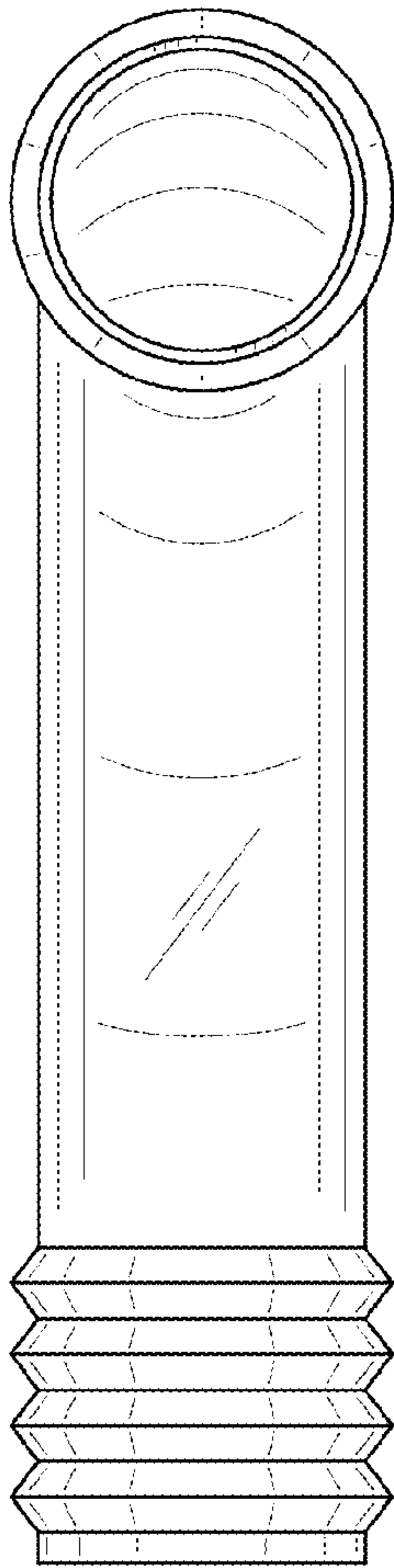


FIG. 2

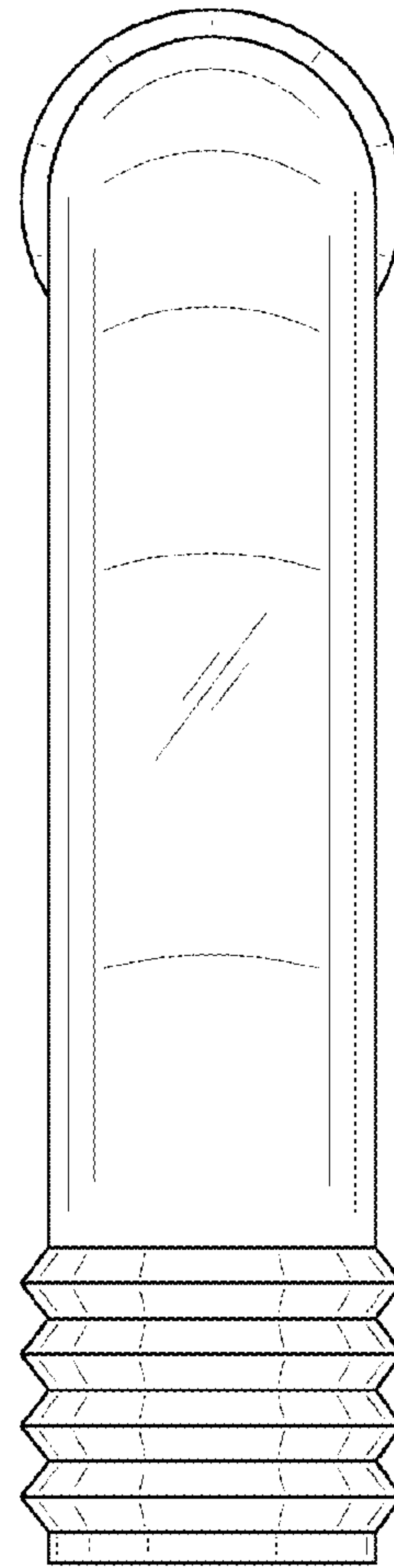


FIG. 3

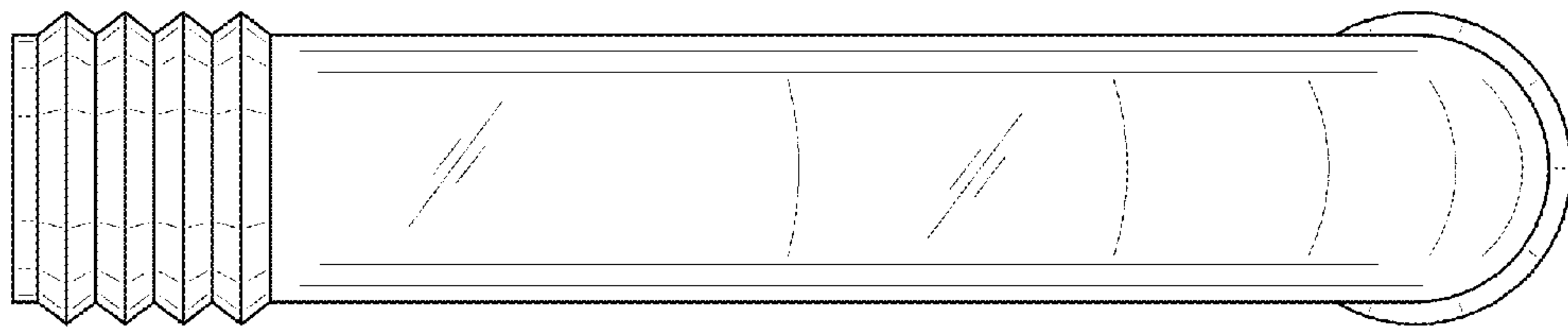


FIG. 4

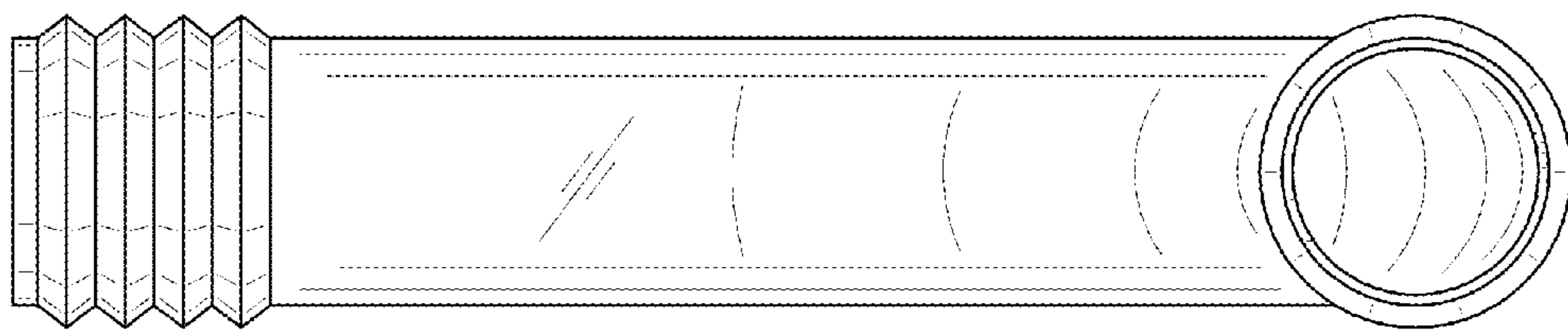


FIG. 5

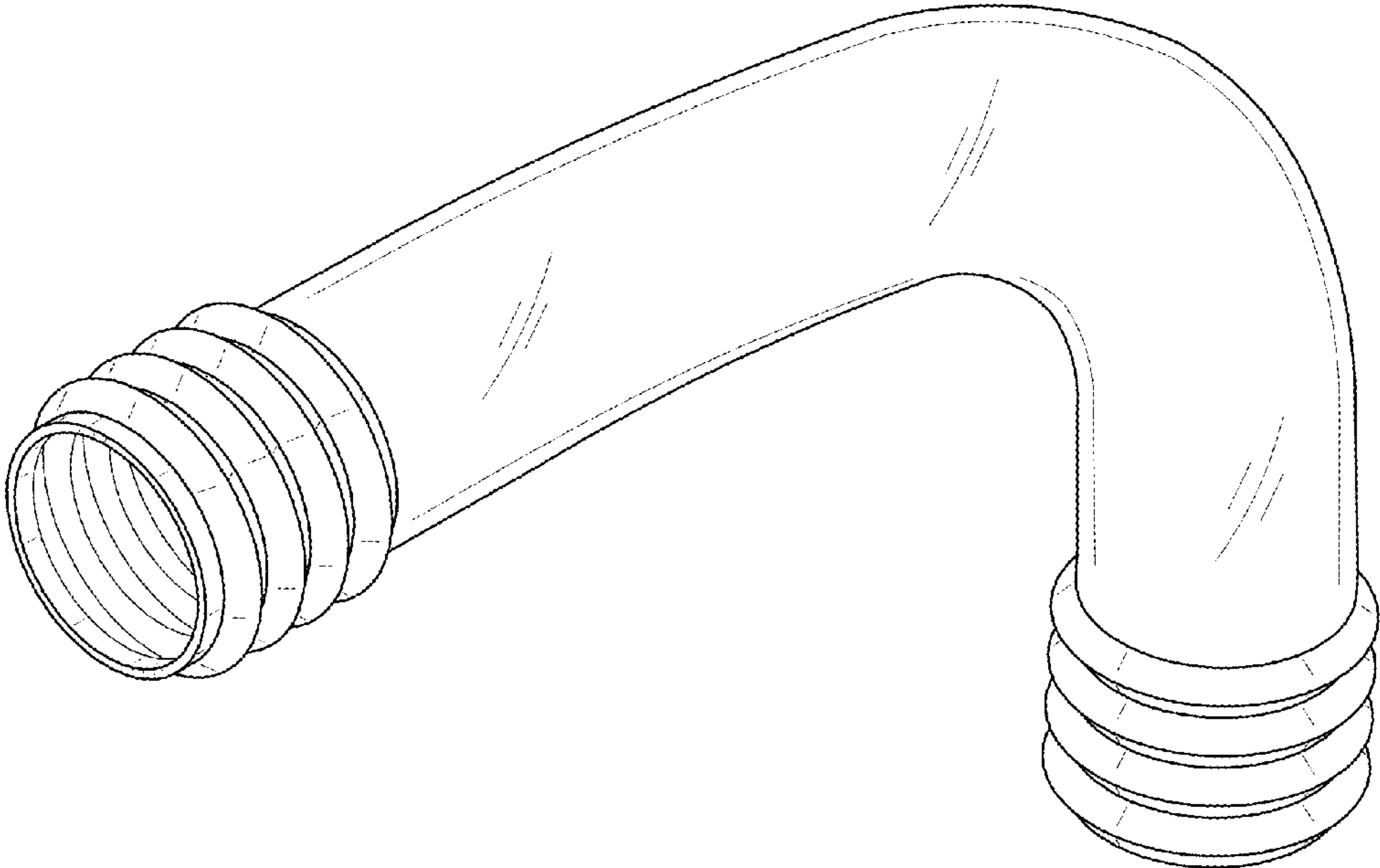


FIG. 6

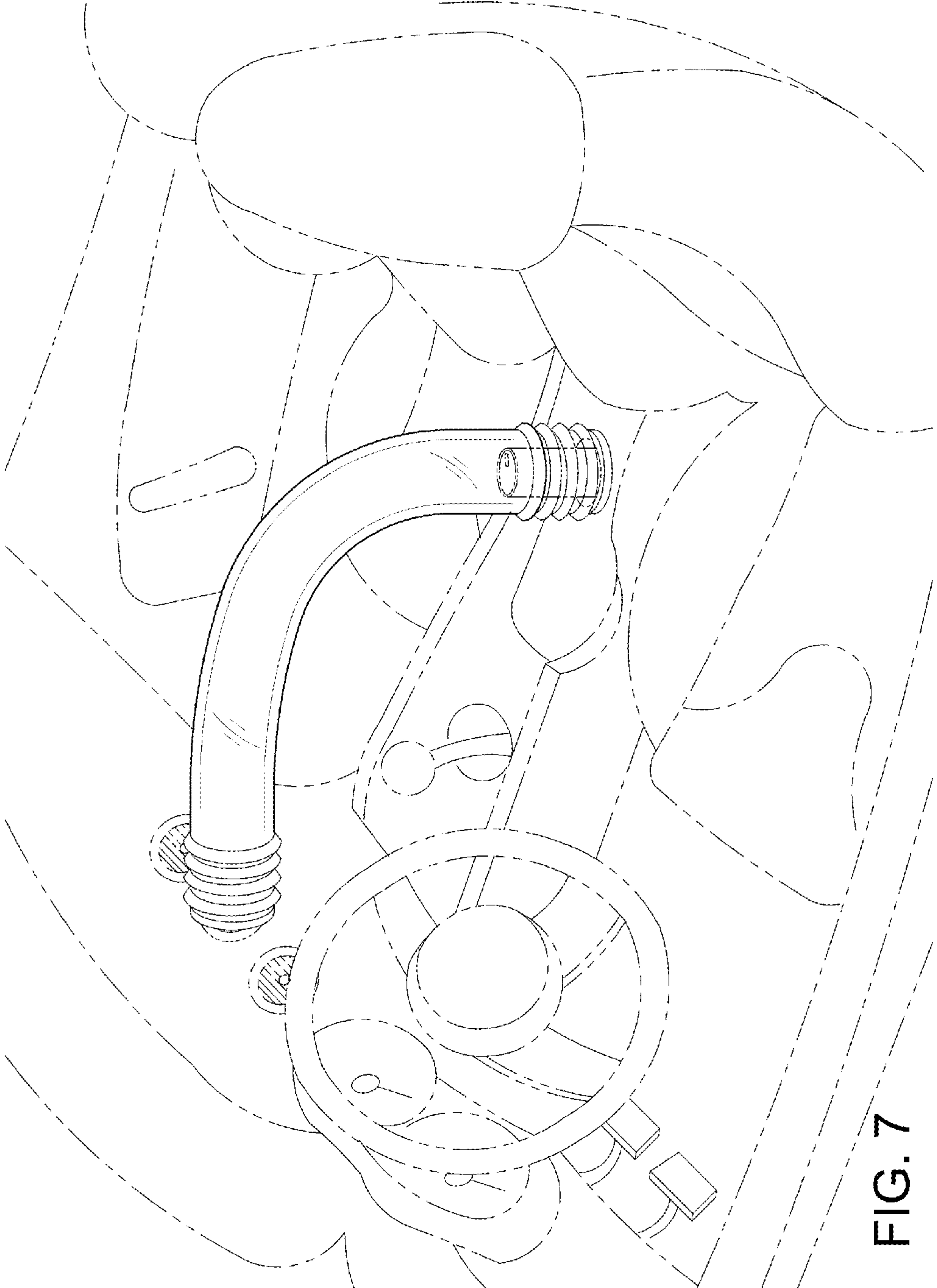


FIG. 7