



US00D695880S

(12) **United States Design Patent**  
**Schoenherr et al.**

(10) **Patent No.:** **US D695,880 S**  
(45) **Date of Patent:** **\*\* Dec. 17, 2013**

(54) **HANSHOWER HOLDER**  
(71) Applicant: **Hansgrohe SE**, Schiltach (DE)  
(72) Inventors: **Tom Schoenherr**, Stuttgart (DE); **Marco Flaig**, Stuttgart (DE)  
(73) Assignee: **Hansgrohe SE**, Schiltach (DE)  
(\*\*) Term: **14 Years**  
(21) Appl. No.: **29/441,724**  
(22) Filed: **Jan. 9, 2013**

D578,622 S 10/2008 Kollmann  
D586,897 S \* 2/2009 Lammel et al. .... D23/304  
D622,830 S \* 8/2010 Barnard ..... D23/304

**FOREIGN PATENT DOCUMENTS**

DE M9805510.0 6/1998  
DE 49810721.3 11/1998  
DE 40103155.1 3/2001  
EM 000078357-0001 2/2004  
EM 001256952-0009 1/2011

\* cited by examiner

*Primary Examiner* — Robert Delehanty

(74) *Attorney, Agent, or Firm* — Nirav D. Parikh

(30) **Foreign Application Priority Data**  
Jul. 11, 2012 (EM) ..... 001334486-0008  
(51) **LOC (9) Cl.** ..... **23-01**  
(52) **U.S. Cl.**  
USPC ..... **D23/239; D23/304**  
(58) **Field of Classification Search**  
USPC ..... D23/239–240, 303–304, 209, 228, 238;  
4/675–678, 601; 137/359, 801;  
D8/394; 16/402  
See application file for complete search history.

(57) **CLAIM**

The ornamental design for a handshower holder, as shown and described.

**DESCRIPTION**

FIG. 1 is a perspective view of a handshower holder showing our design;  
FIG. 2 is a front elevational view thereof;  
FIG. 3 is a rear elevational view thereof;  
FIG. 4 is a left side elevational view thereof;  
FIG. 5 is a right side elevational view thereof;  
FIG. 6 is a top plan view thereof; and,  
FIG. 7 is a bottom plan view thereof.  
The broken-line disclosure in the views represents portions of the article in which the claimed design is embodied, but which form no part of the claimed design.

(56) **References Cited**  
**U.S. PATENT DOCUMENTS**  
D426,290 S 6/2000 Haug et al.  
D493,864 S \* 8/2004 Haug et al. .... D23/213  
D542,393 S \* 5/2007 Haug et al. .... D23/304

**1 Claim, 7 Drawing Sheets**

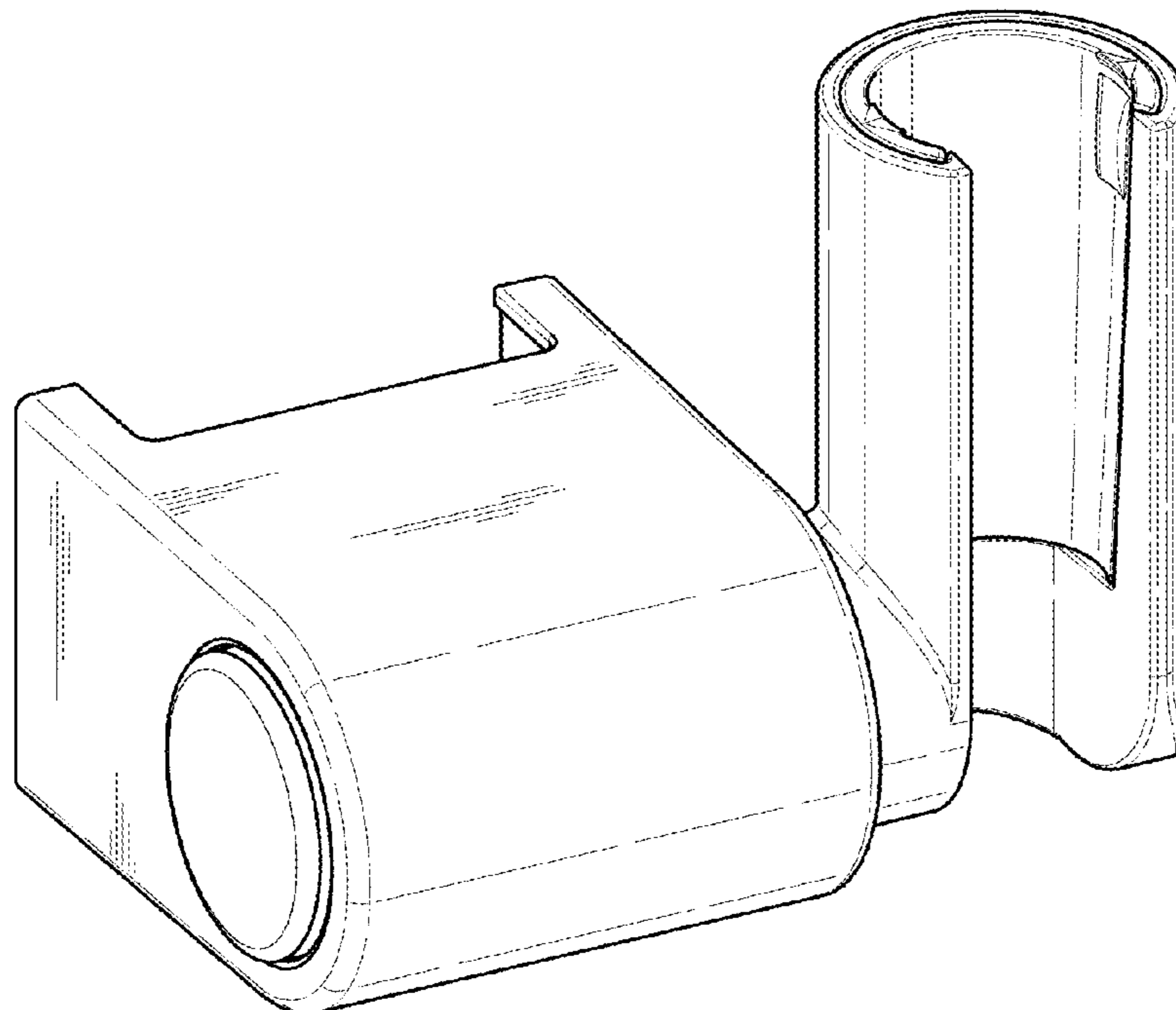


FIG. 1

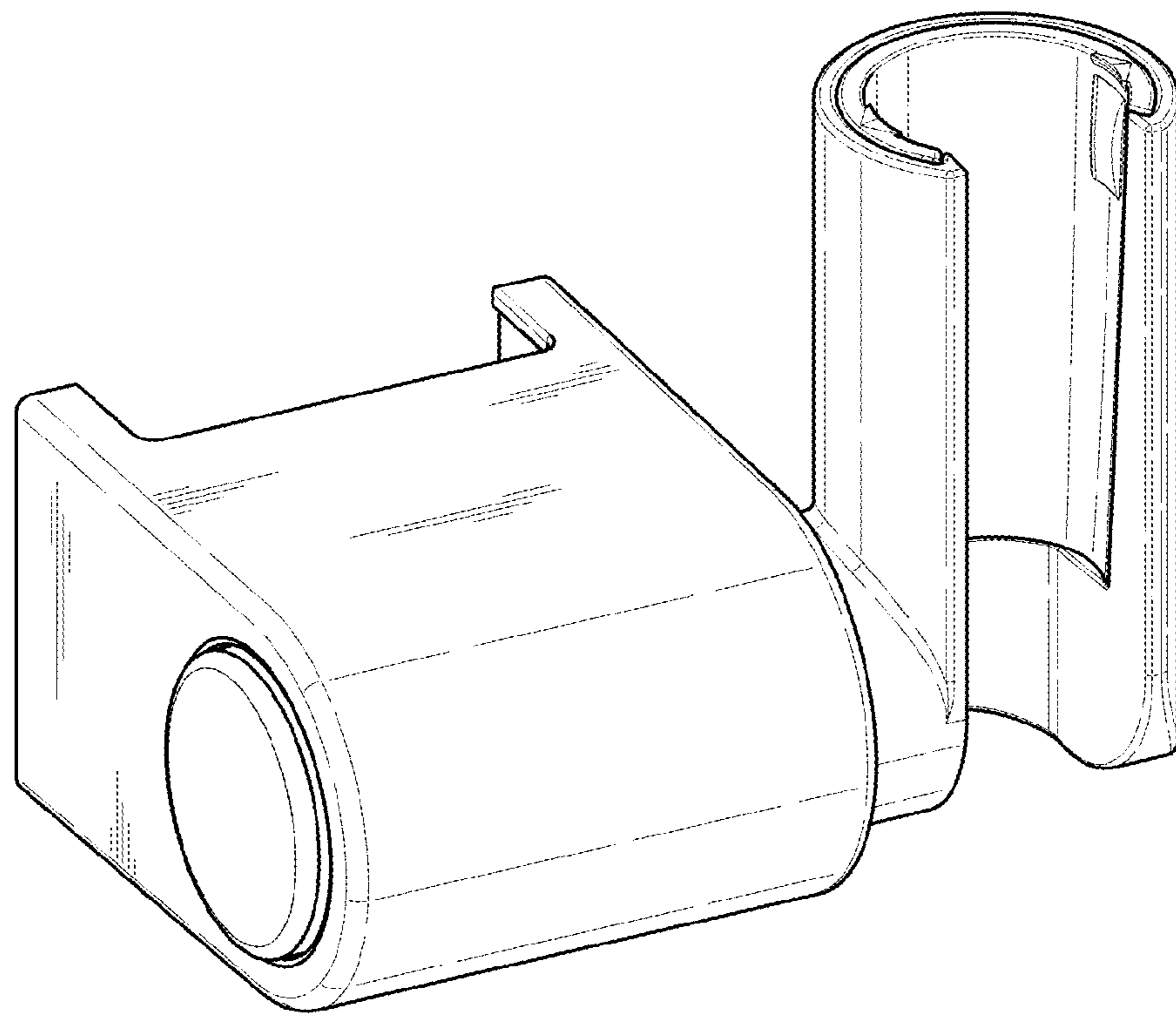


FIG. 2

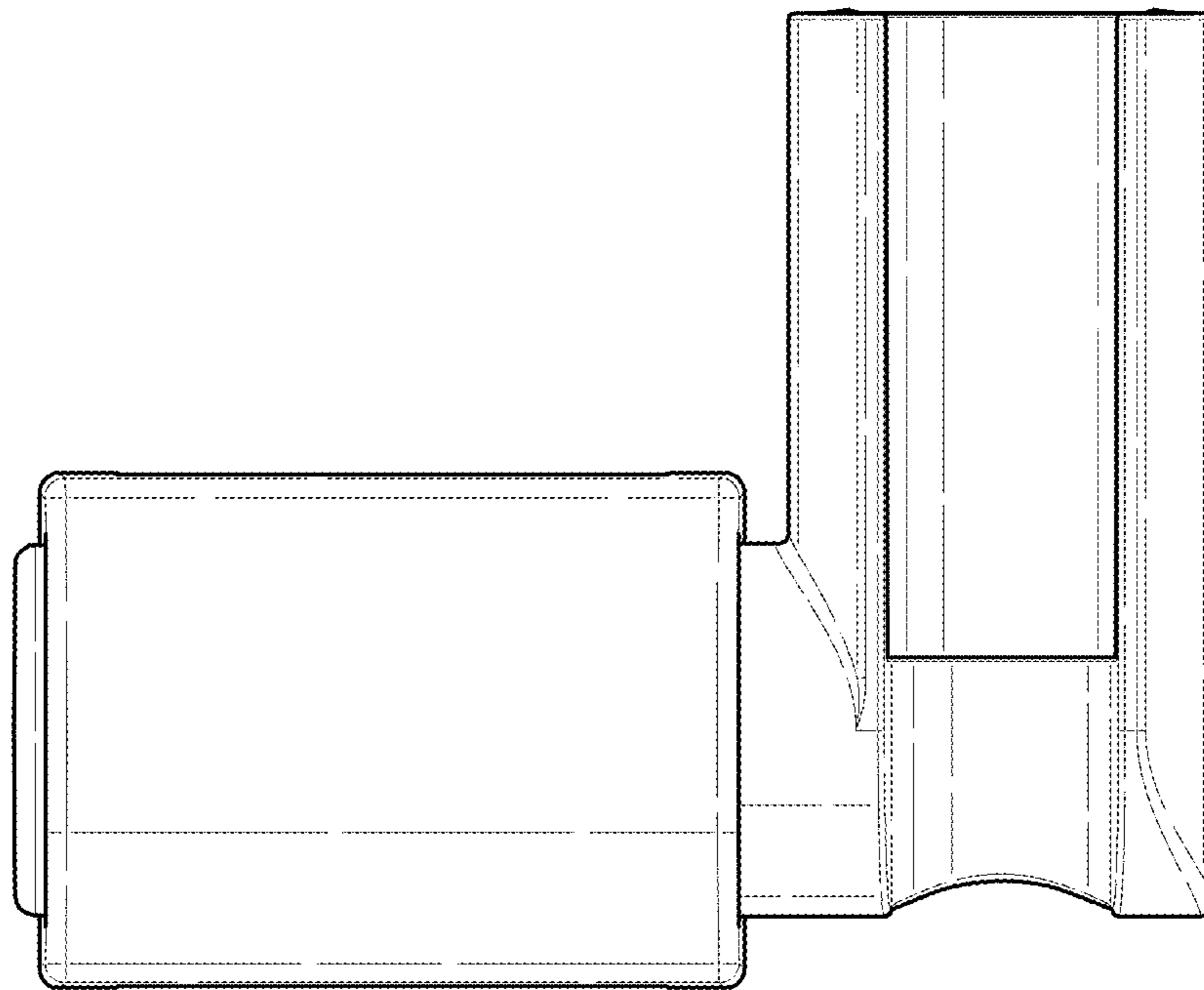


FIG. 3

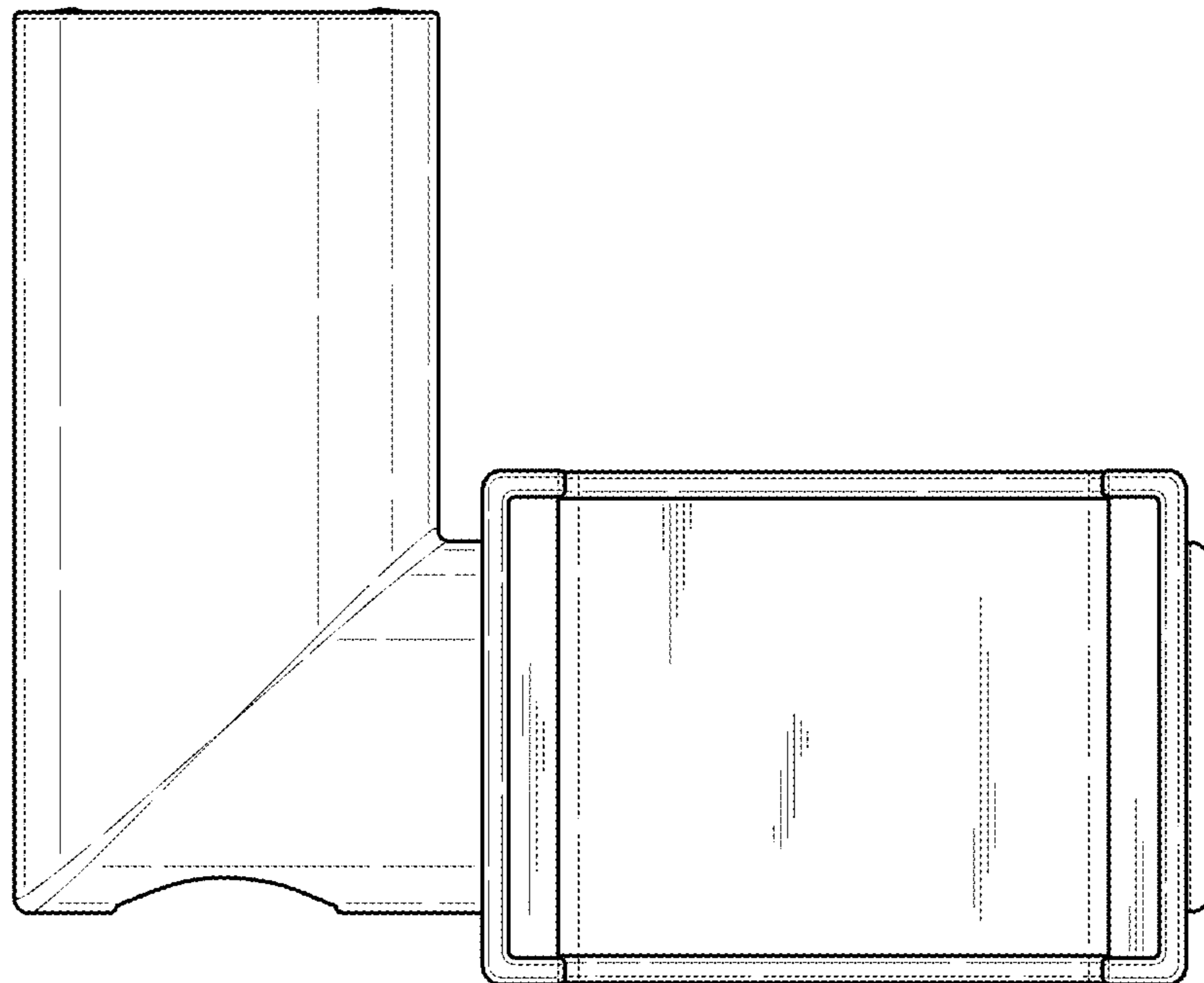


FIG. 4

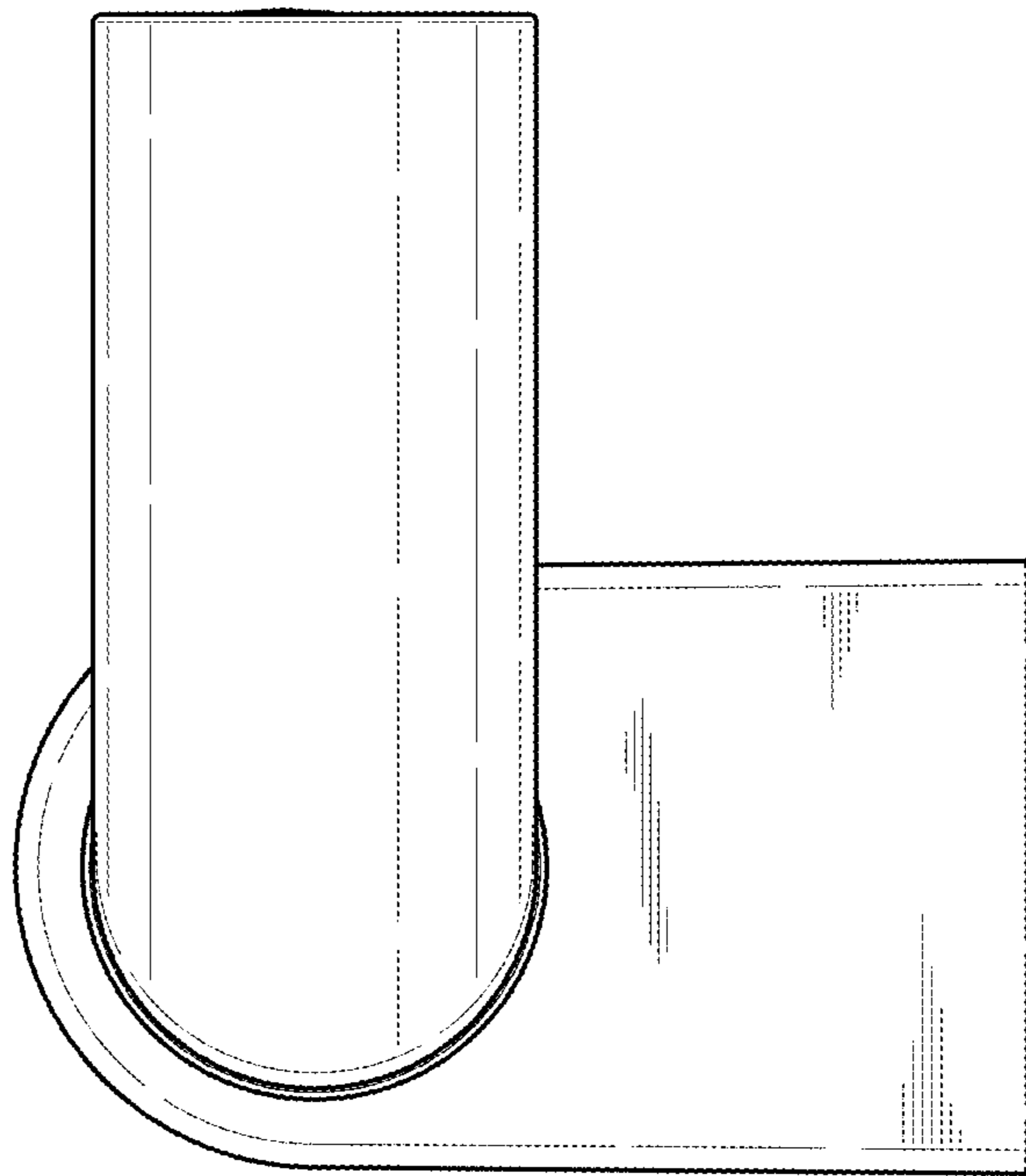


FIG. 5

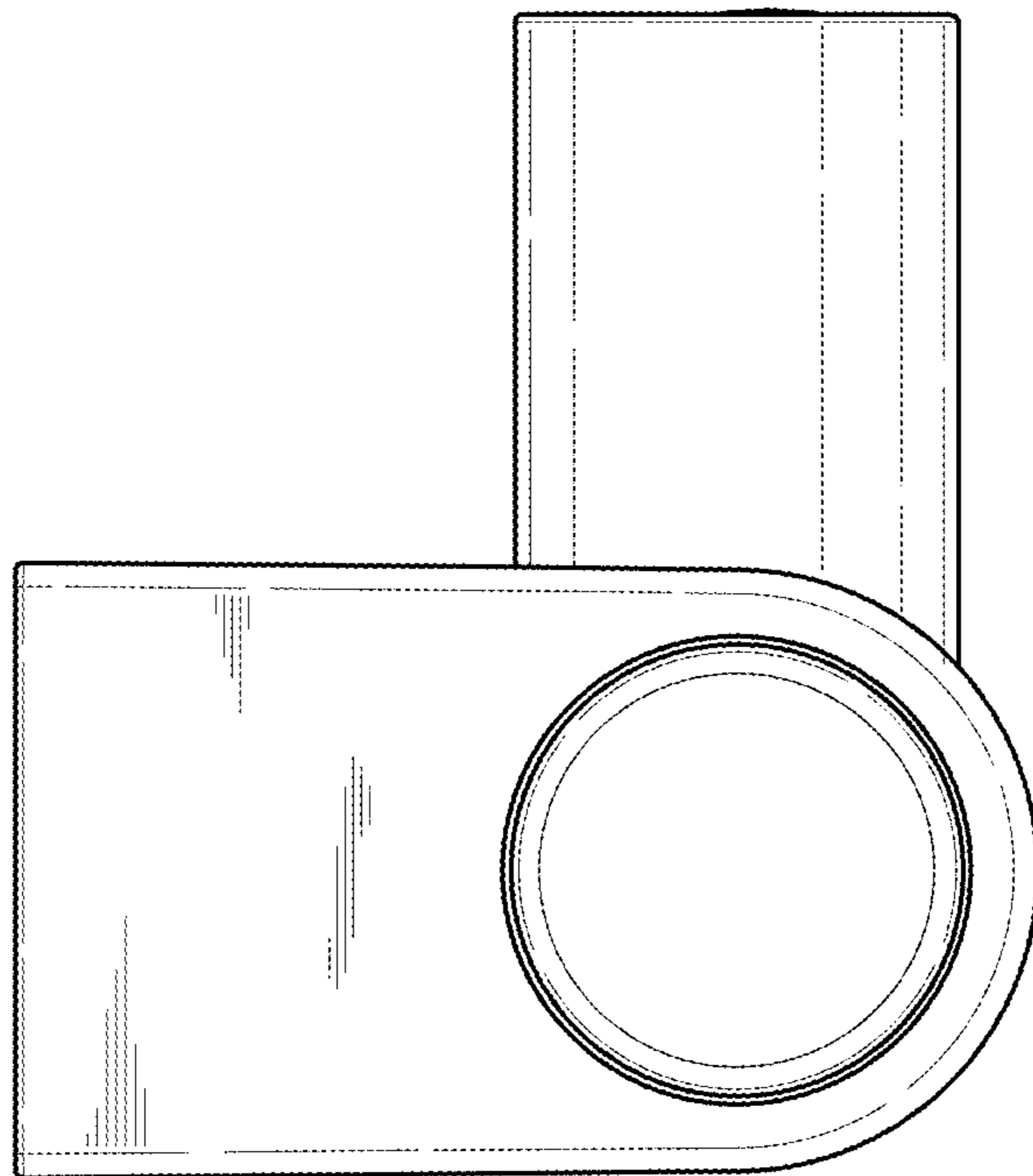


FIG. 6

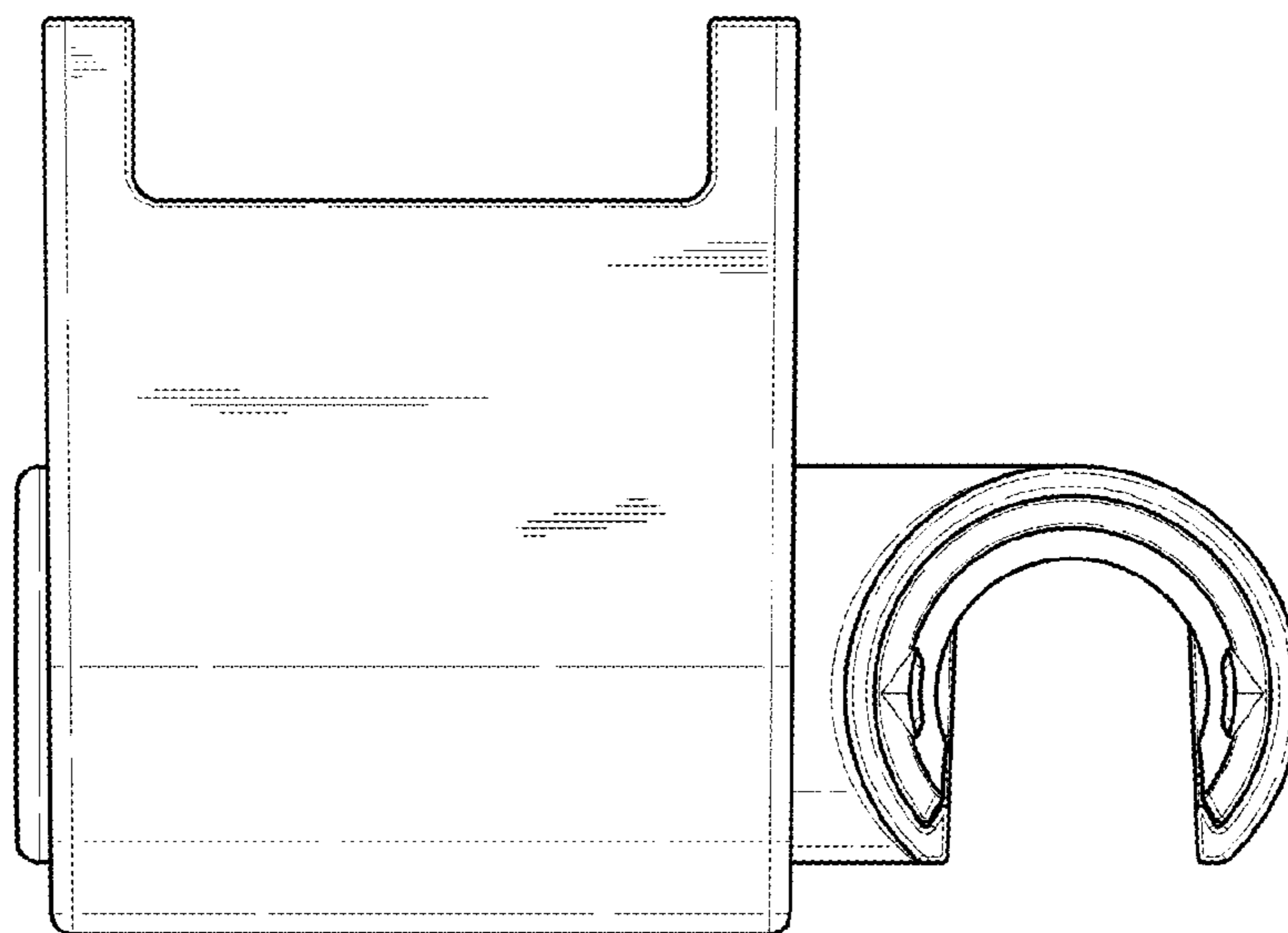


FIG. 7

