



US00D695879S

(12) **United States Design Patent**  
**Pridham et al.**

(10) **Patent No.:** **US D695,879 S**

(45) **Date of Patent:** **\*\* Dec. 17, 2013**

(54) **GEARED HALFBALL COMPONENT FOR A ROTATIONAL VALVE**

D424,168 S \* 5/2000 Higgins ..... D23/236

\* cited by examiner

(75) Inventors: **Malcolm Pridham**, Plympton (AU);  
**Geoff Puckett**, Plympton (AU)

*Primary Examiner* — Cynthia Ramirez

(74) *Attorney, Agent, or Firm* — W. Kevin Ransom; Moore & Van Allen PLLC

(73) Assignee: **Philmac Pty Ltd**, Plympton, SA (AU)

(\*\*) Term: **14 Years**

(57) **CLAIM**

The ornamental design for a geared half ball component for a rotational valve, as shown and described.

(21) Appl. No.: **29/425,483**

(22) Filed: **Jun. 22, 2012**

**DESCRIPTION**

(30) **Foreign Application Priority Data**

Dec. 22, 2011 (AU) ..... 201115921

(51) **LOC (9) Cl.** ..... **23-01**

(52) **U.S. Cl.**  
USPC ..... **D23/233**

(58) **Field of Classification Search**  
USPC ..... D23/233–237, 244–249; 251/360, 363;  
137/515.5, 515; 4/249, 250, DIG. 3  
See application file for complete search history.

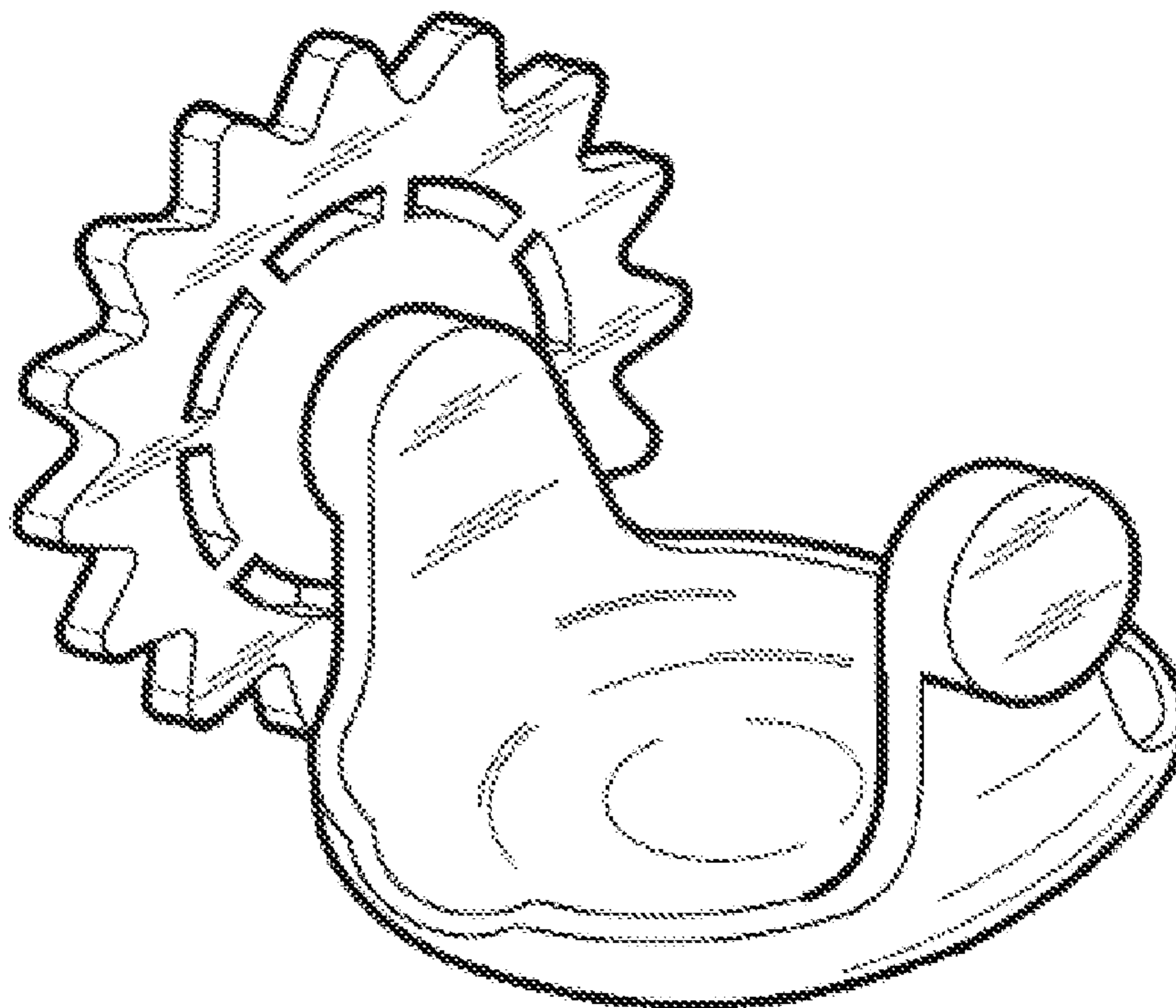
FIG. 1 is a perspective view of a geared half ball component for a rotational valve according to the present invention;  
FIG. 2 is a top view of the geared half ball component for a rotational valve of FIG. 1;  
FIG. 3 is a bottom view of the geared half ball component for a rotational valve of FIG. 1;  
FIG. 4 is a front view of the geared half ball component for a rotational valve of FIG. 1;  
FIG. 5 is a rear view of the geared half ball component for a rotational valve of FIG. 1;  
FIG. 6 is a right side view of the geared half ball component for a rotational valve of FIG. 1; and,  
FIG. 7 is a left side view of the geared half ball component for a rotational valve of FIG. 1.

(56) **References Cited**

**U.S. PATENT DOCUMENTS**

3,367,362 A \* 2/1968 Hoffman ..... 137/517  
4,651,551 A \* 3/1987 Bishop et al. .... 72/189  
5,810,142 A \* 9/1998 Schaefer ..... 192/70.12

**1 Claim, 4 Drawing Sheets**



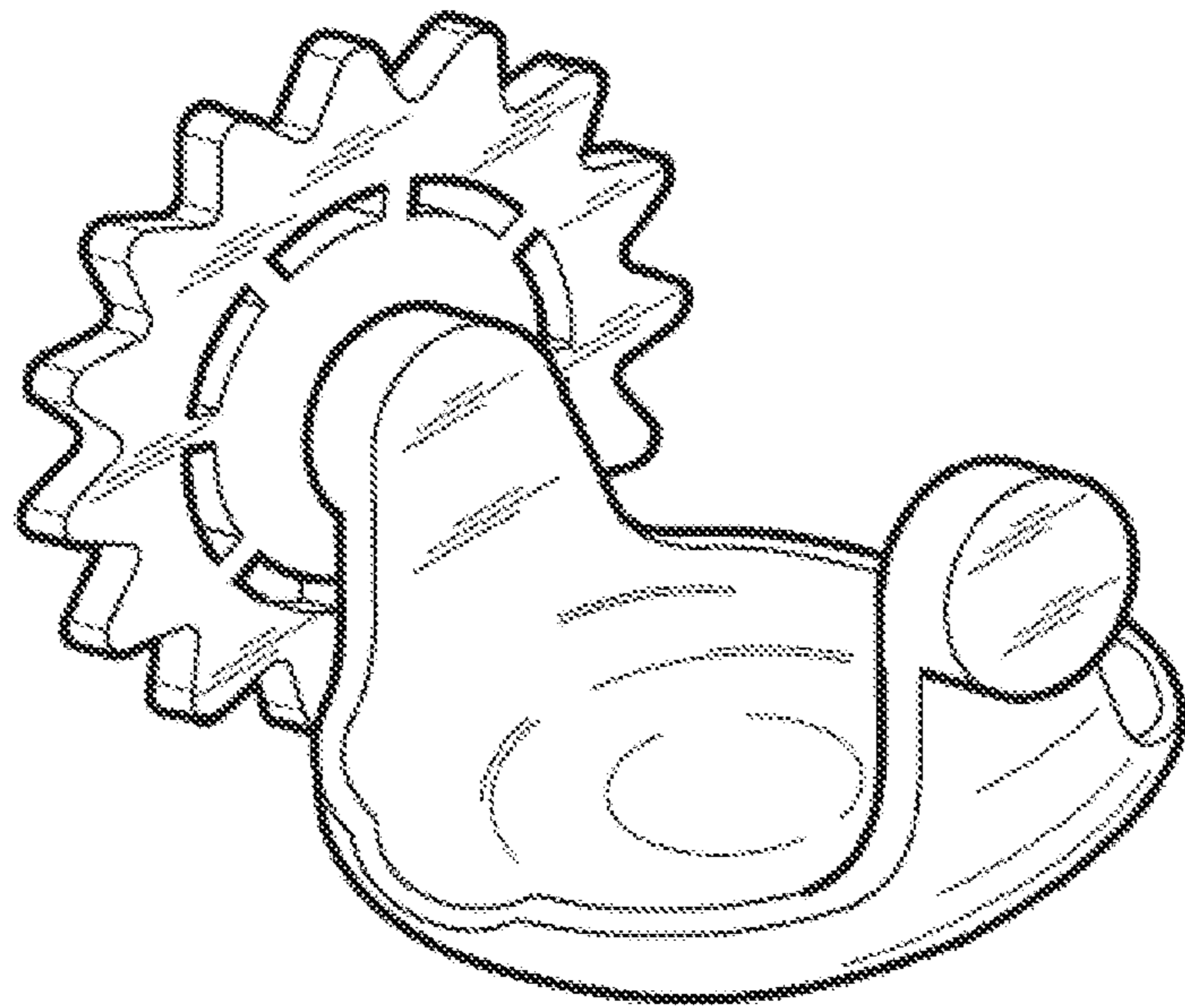


Fig. 1

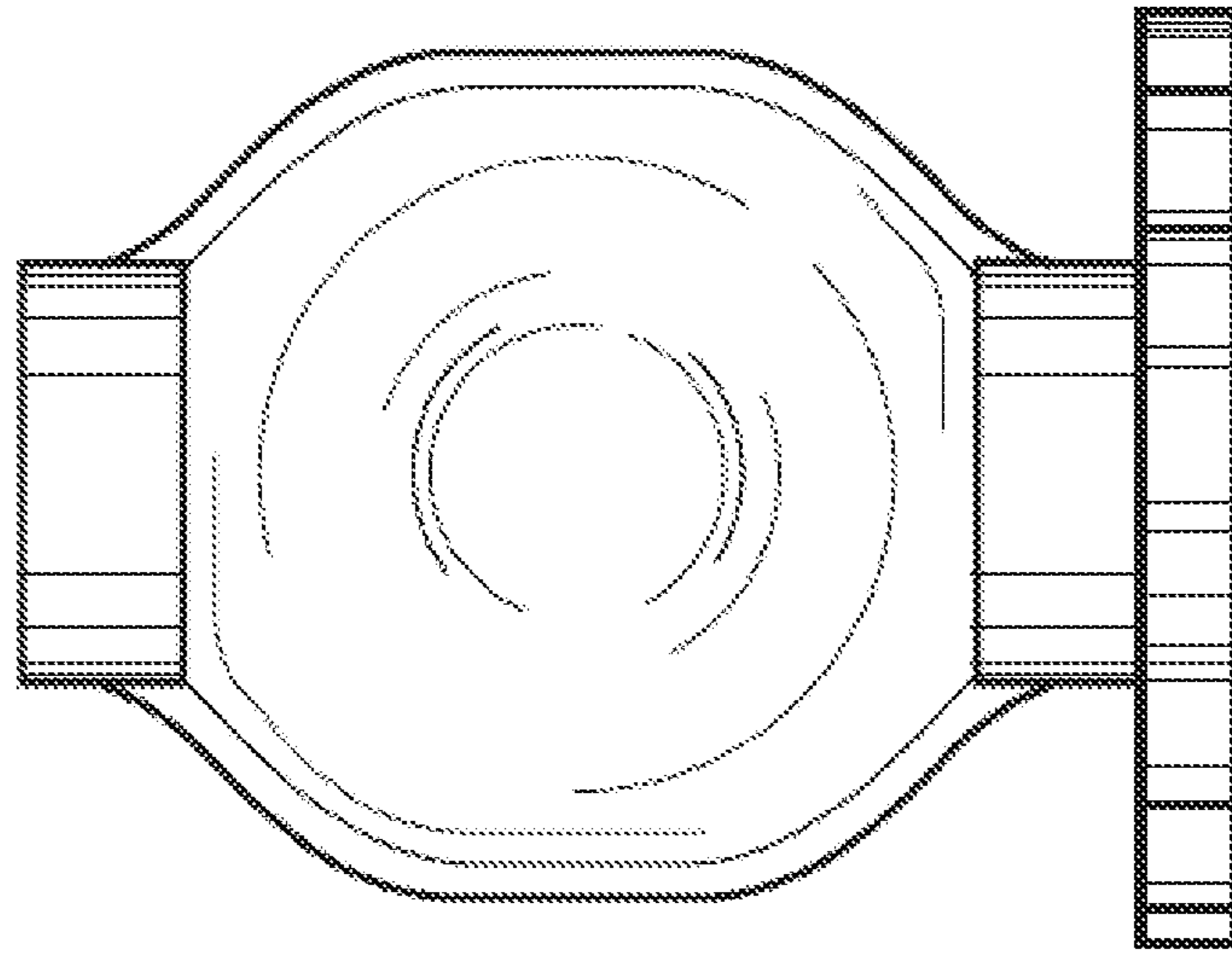


Fig. 2

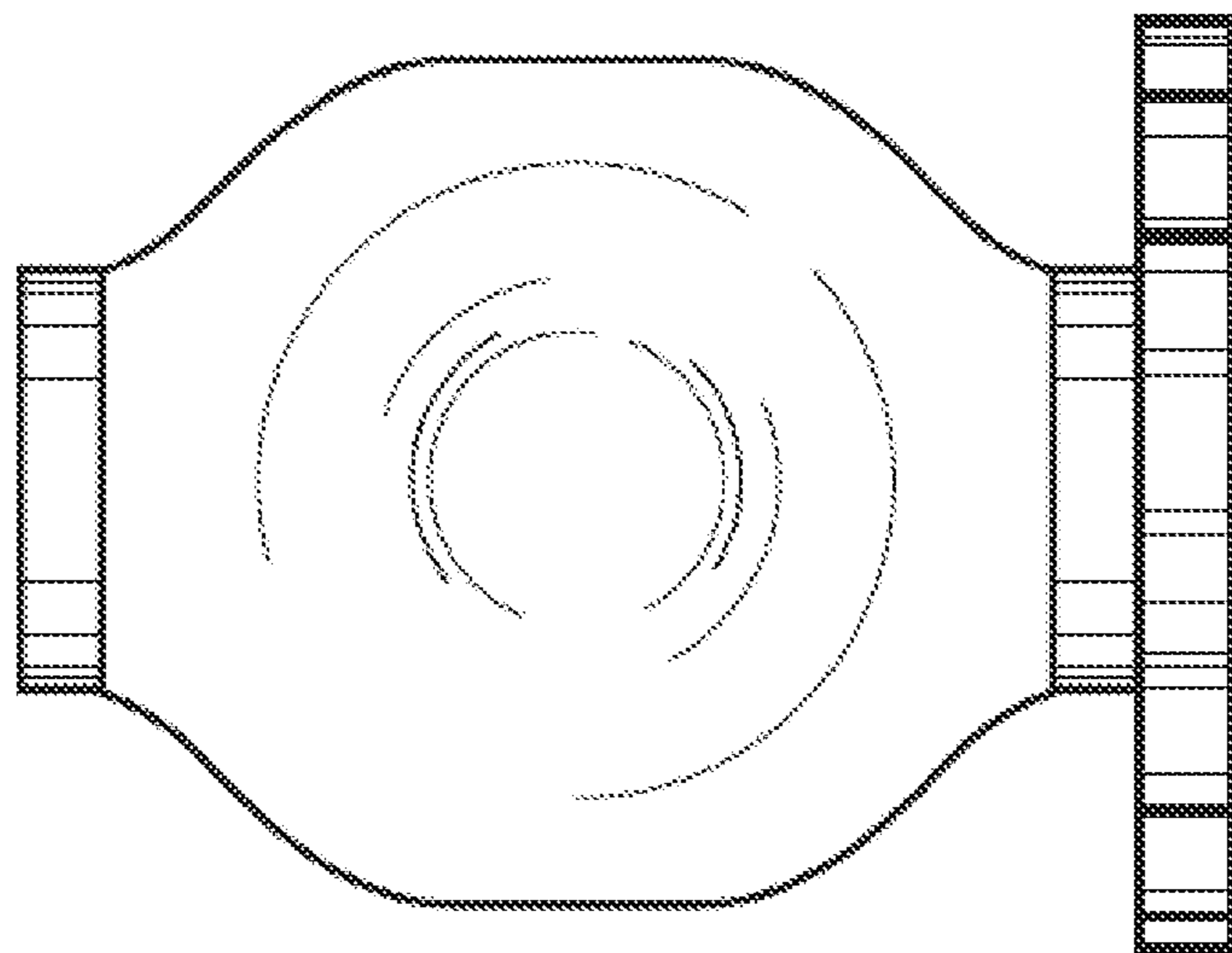


Fig. 3

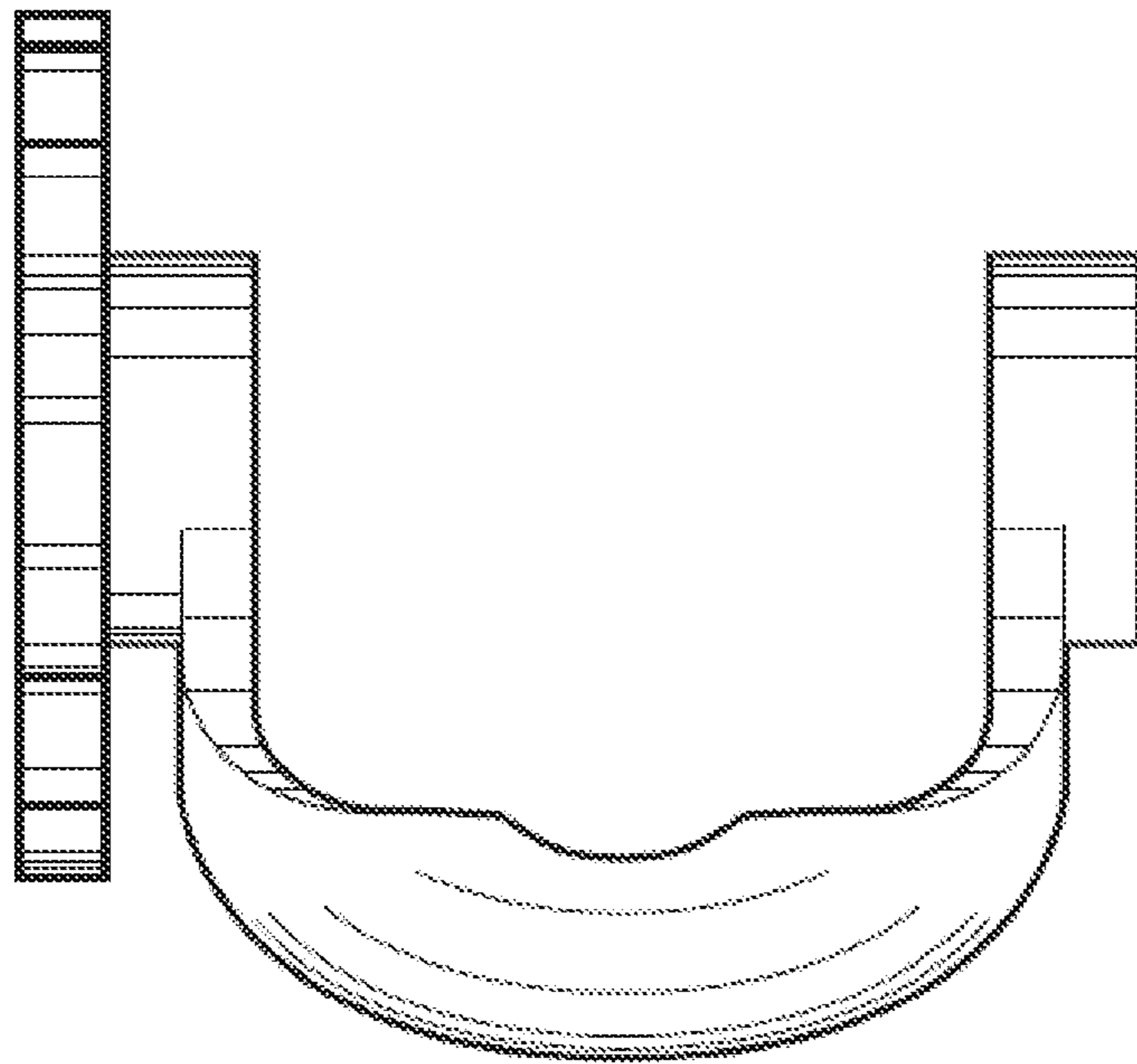


Fig. 4

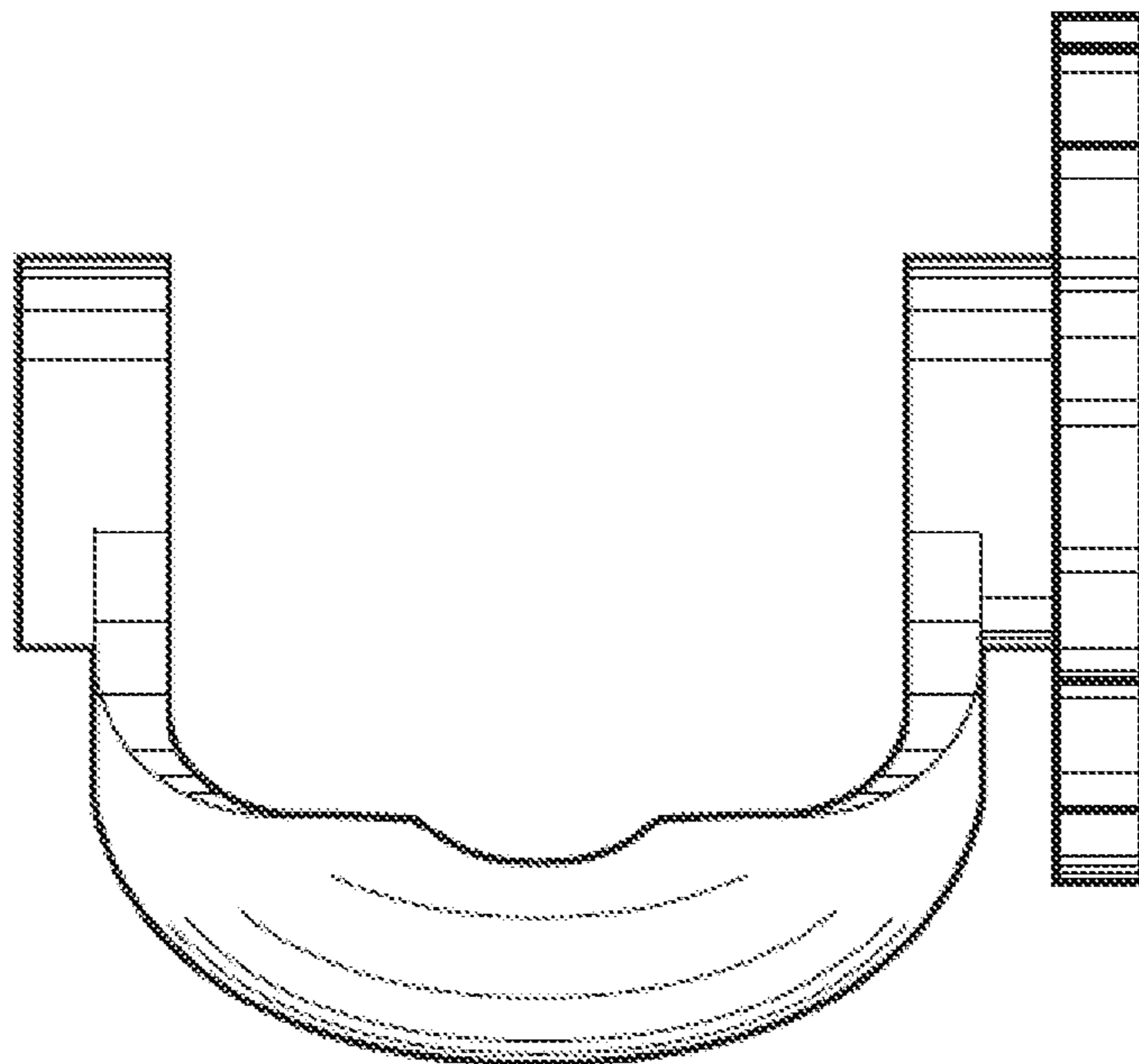


Fig. 5

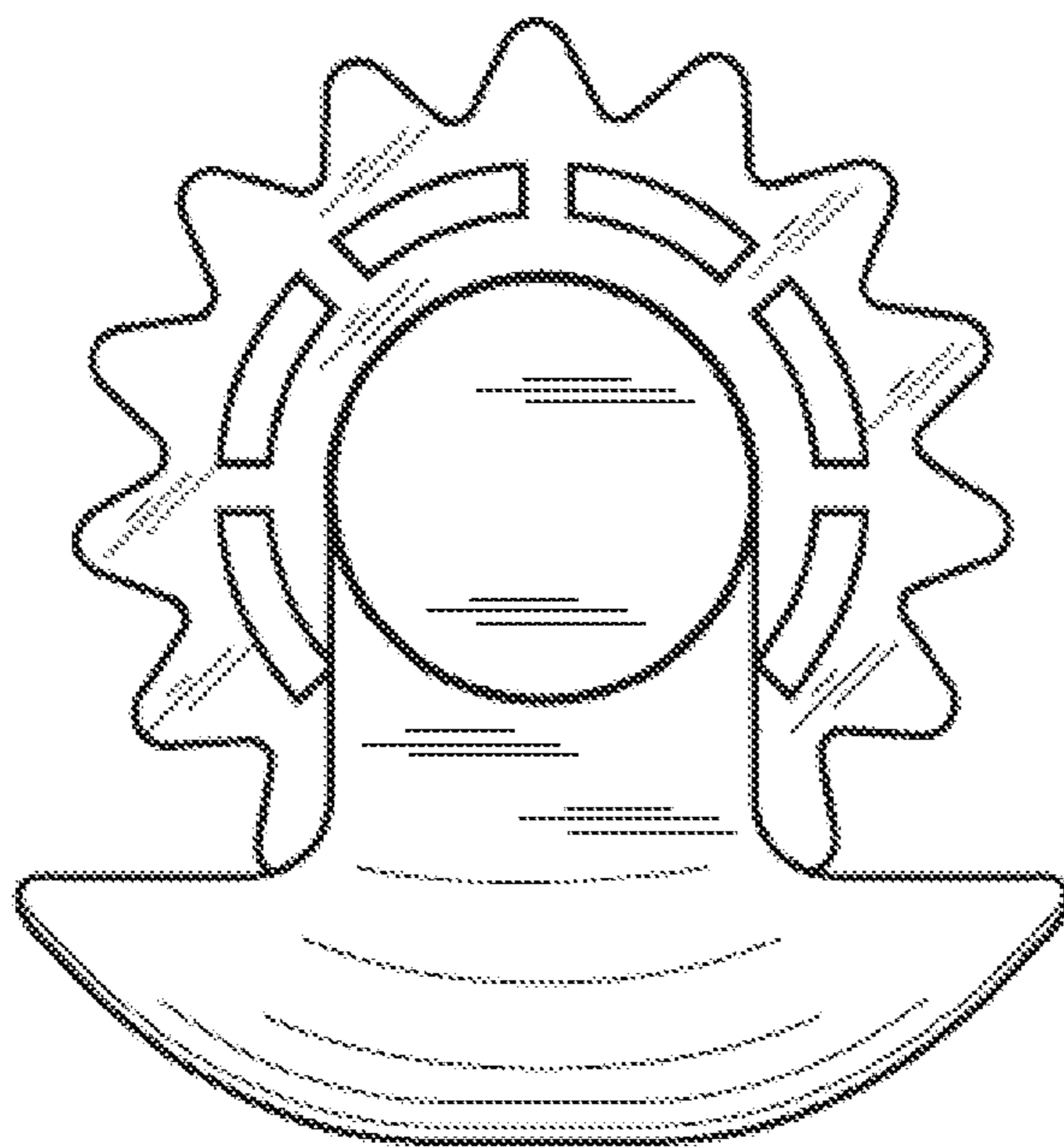


Fig. 6

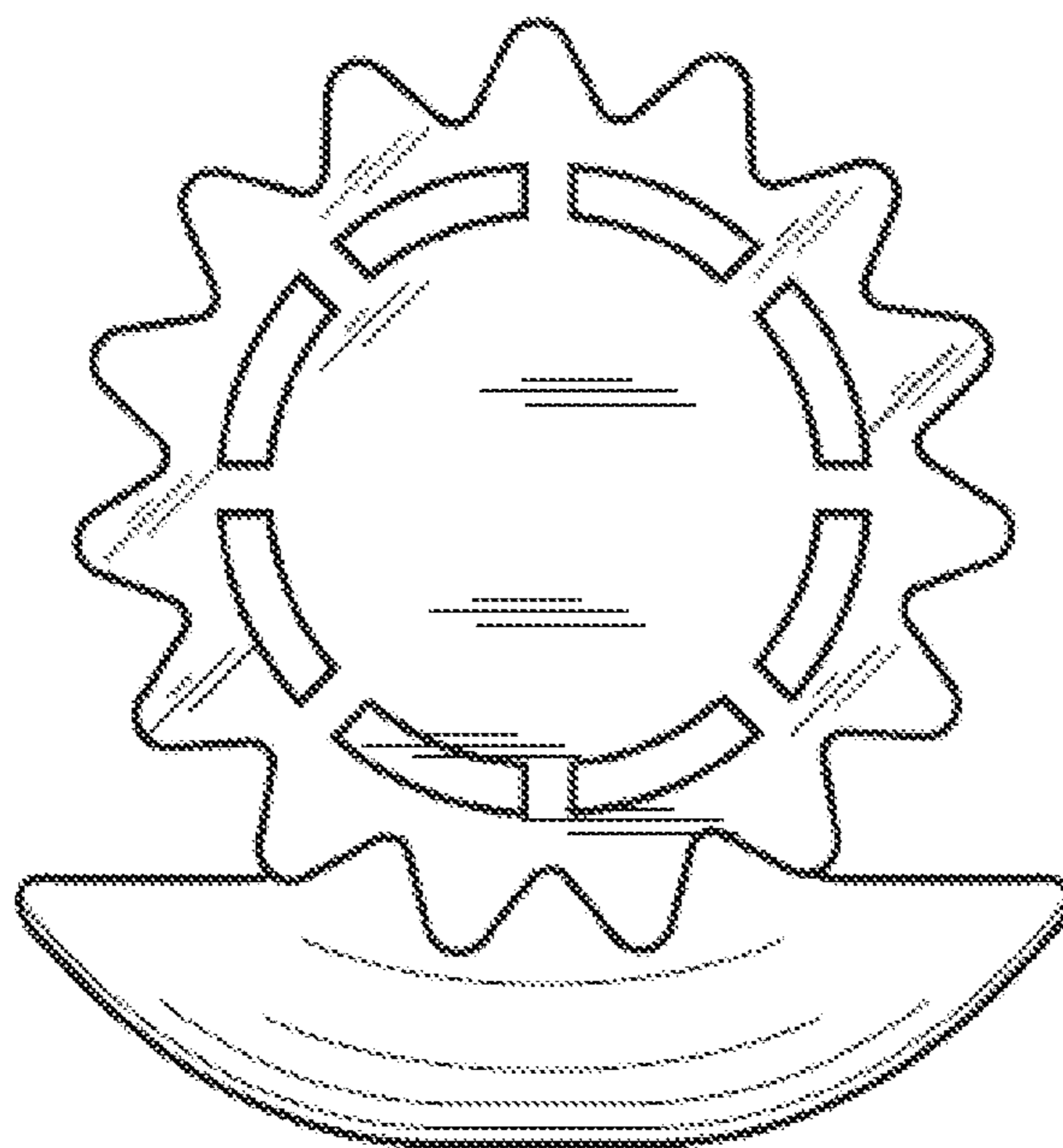


Fig. 7