

US00D695875S

(12) **United States Design Patent**  
**Siudyla**

(10) **Patent No.:** **US D695,875 S**

(45) **Date of Patent:** **\*\* Dec. 17, 2013**

(54) **FISHING LURE RACK**

(71) Applicant: **Leonard E Siudyla**, Grand Rapids, MI  
(US)

(72) Inventor: **Leonard E Siudyla**, Grand Rapids, MI  
(US)

(\*\*) Term: **14 Years**

(21) Appl. No.: **29/437,576**

(22) Filed: **Nov. 19, 2012**

(51) **LOC (9) Cl.** ..... **22-05**

(52) **U.S. Cl.**  
USPC ..... **D22/134; D3/319**

(58) **Field of Classification Search**  
USPC ..... D22/134; D3/260, 318-319;  
D6/512-513, 552, 569; 43/25.2, 54.1,  
43/57.1  
See application file for complete search history.

(56) **References Cited**

**U.S. PATENT DOCUMENTS**

- D238,400 S \* 1/1976 Uyeda ..... D3/319
- D262,132 S \* 12/1981 McHugh ..... D22/134
- D270,470 S \* 9/1983 Levy ..... D6/682.4
- D355,528 S \* 2/1995 Croft et al. .... D3/260
- D372,380 S \* 8/1996 Montalbo et al. .... D6/467

- D401,058 S \* 11/1998 Blackburn ..... D3/260
- 7,043,871 B2 \* 5/2006 Chapel ..... 43/57.1
- D670,914 S \* 11/2012 Price ..... D3/260

\* cited by examiner

*Primary Examiner* — Catheri Oliver-Garcia

(57) **CLAIM**

The ornamental design for a fishing lure rack, as shown and described.

**DESCRIPTION**

FIG. 1 is an upper, front, and left perspective view of a first embodiment of a fishing lure rack of my new design having four lure holders, showing the fishing lure rack in use;

FIG. 2 is another upper, front, and left perspective view thereof;

FIG. 3 is a top plan view thereof;

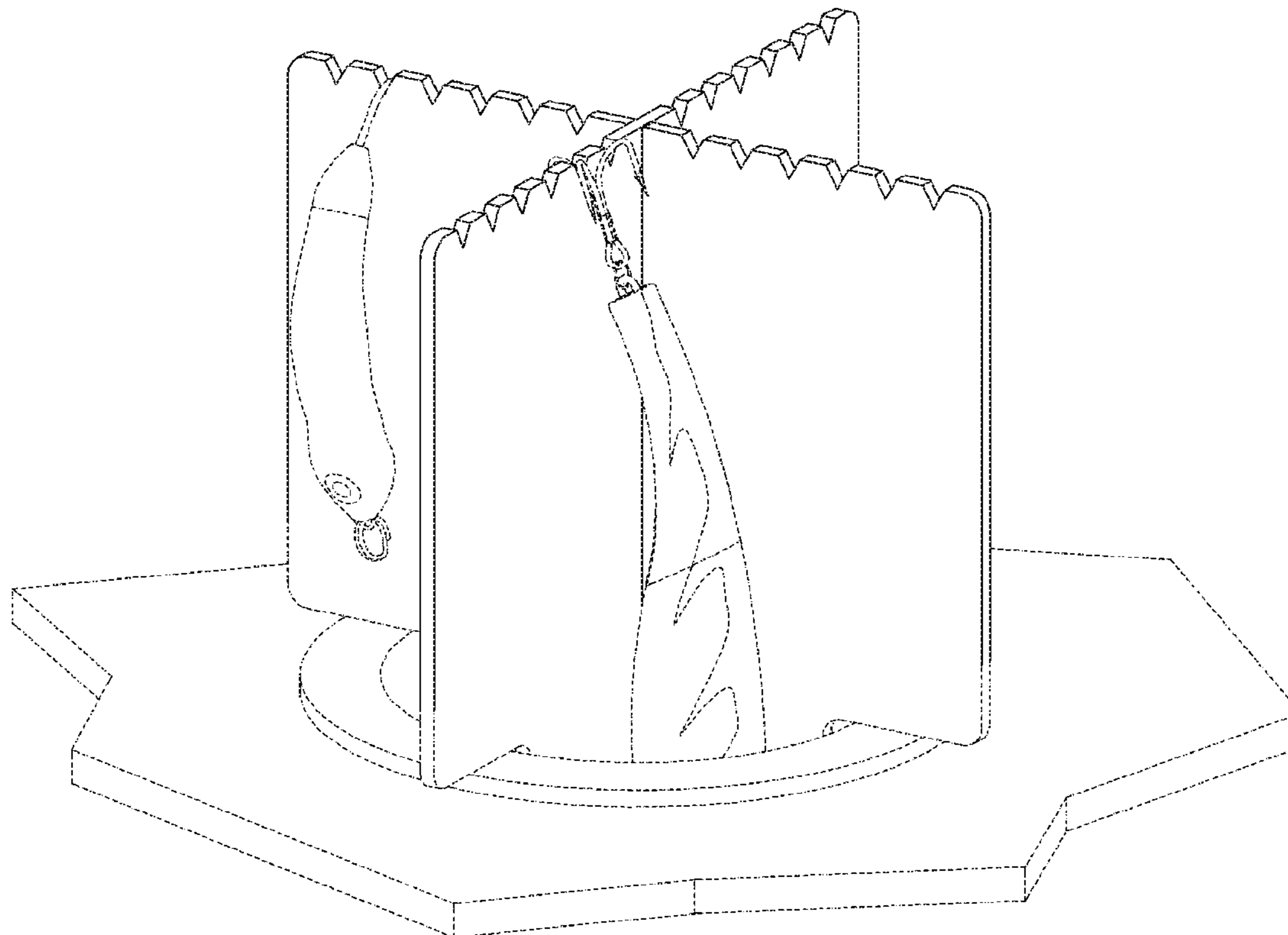
FIG. 4 is a front elevation view thereof, with the rear, left side and right side being the same;

FIG. 5 is the view of FIG. 2 in exploded relation, according to one of various fabrication methods thereof; and,

FIG. 6 is another upper, front, and left perspective view of a second embodiment of a fishing lure rack having three lure holders with all sides being the same.

The broken line showing of environment in the drawings is included for the purpose of illustrating only and forms no part of the claimed design.

**1 Claim, 6 Drawing Sheets**



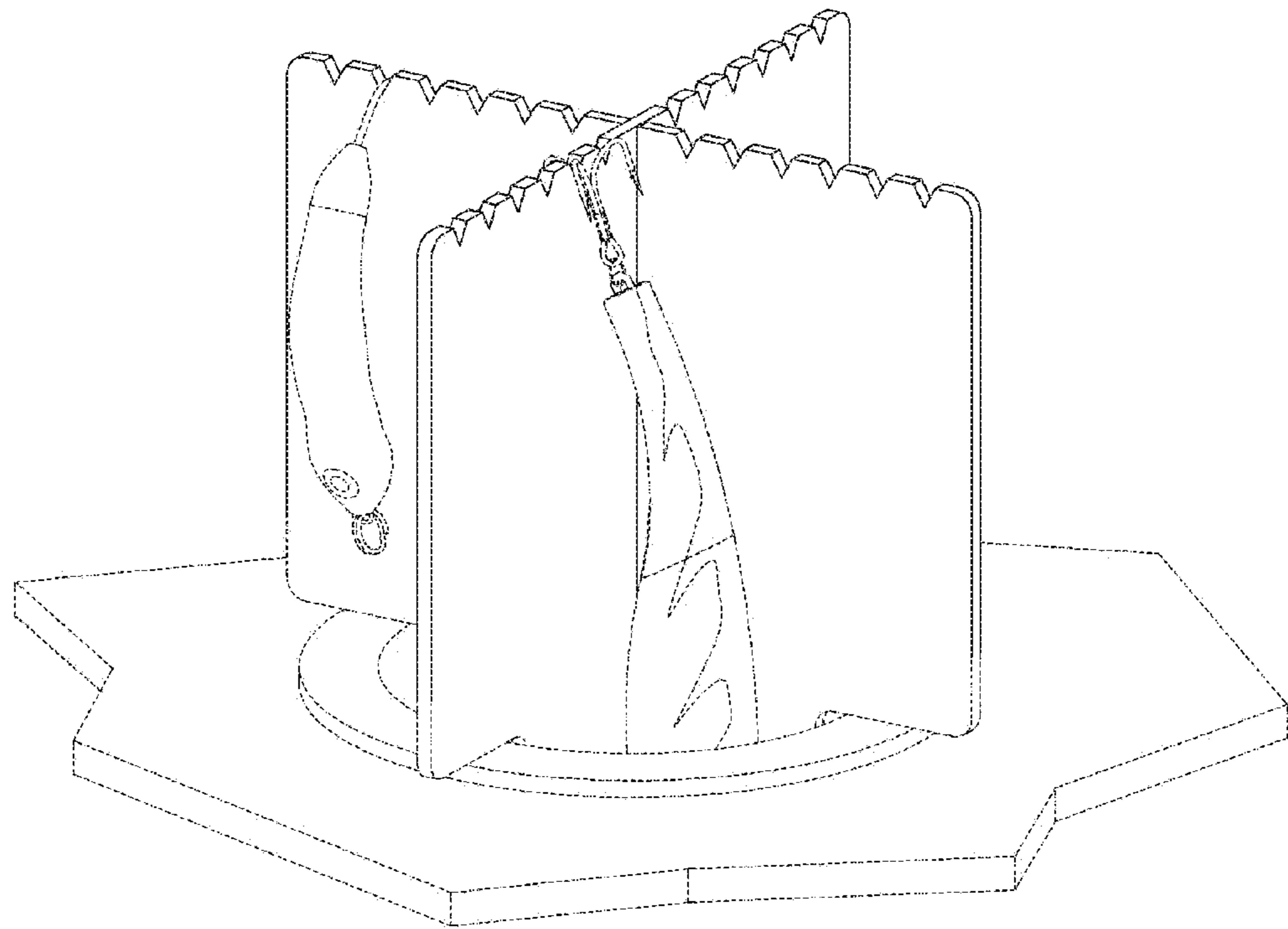


FIG. 1

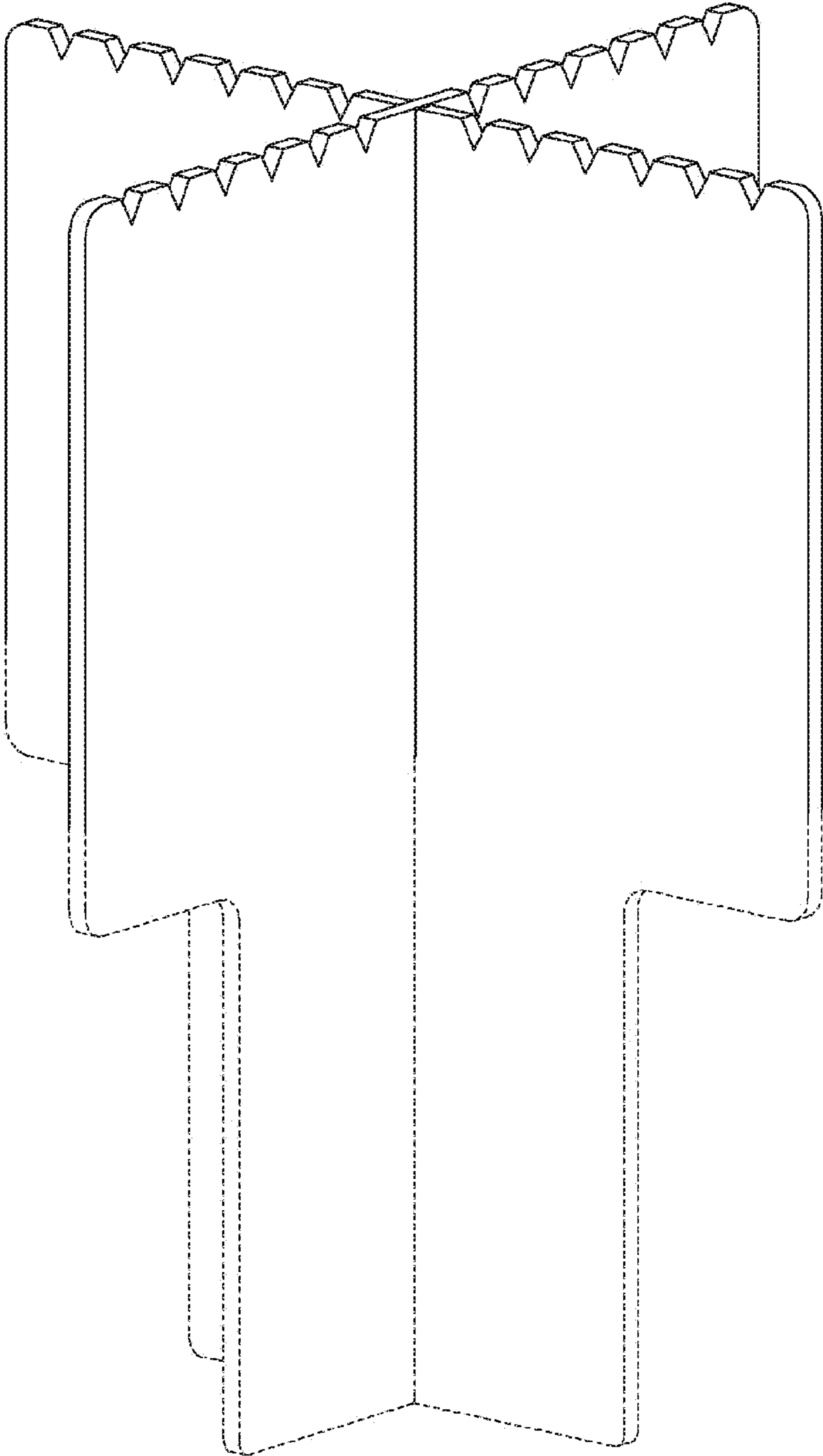


FIG. 2

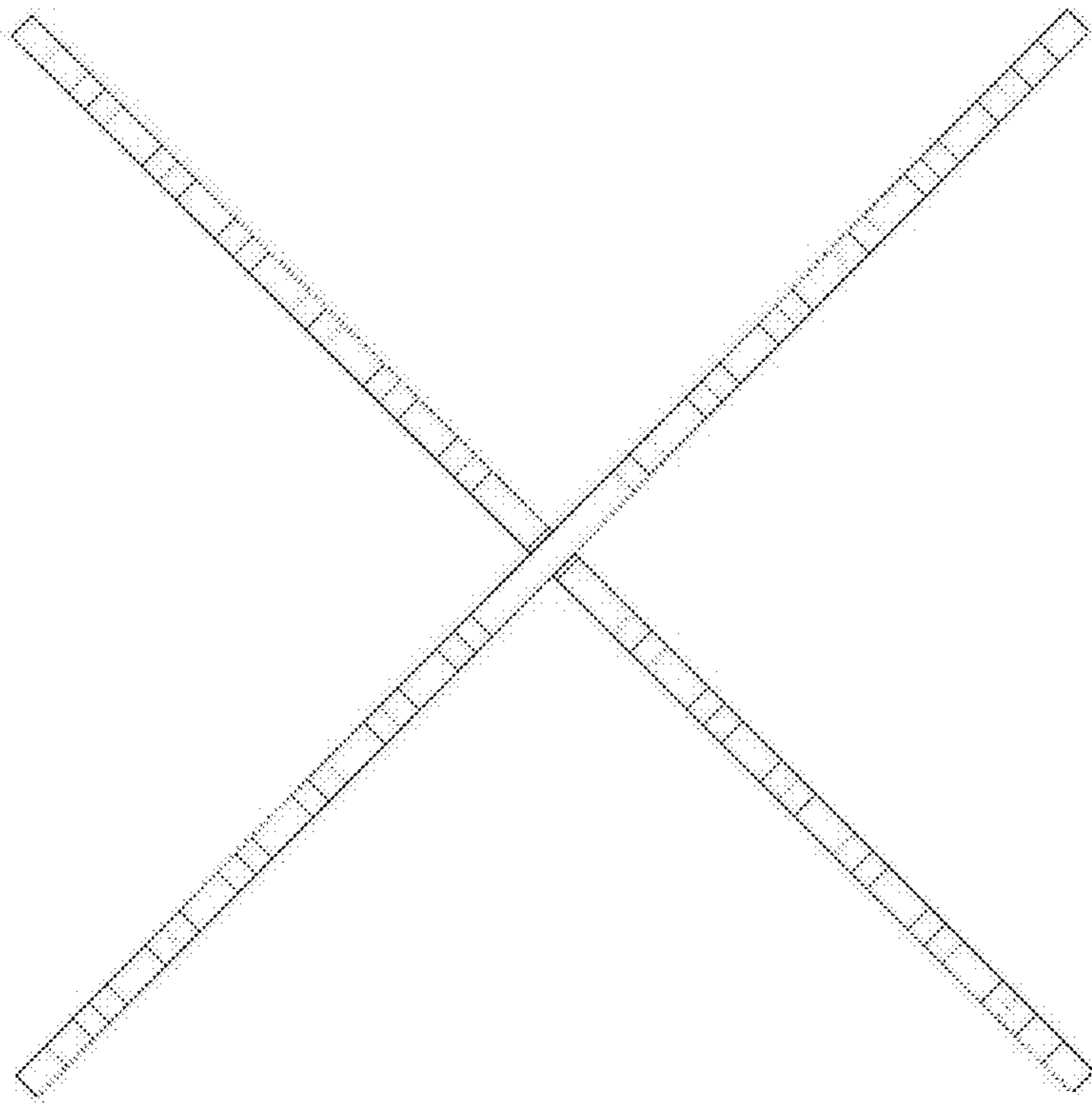


FIG. 3

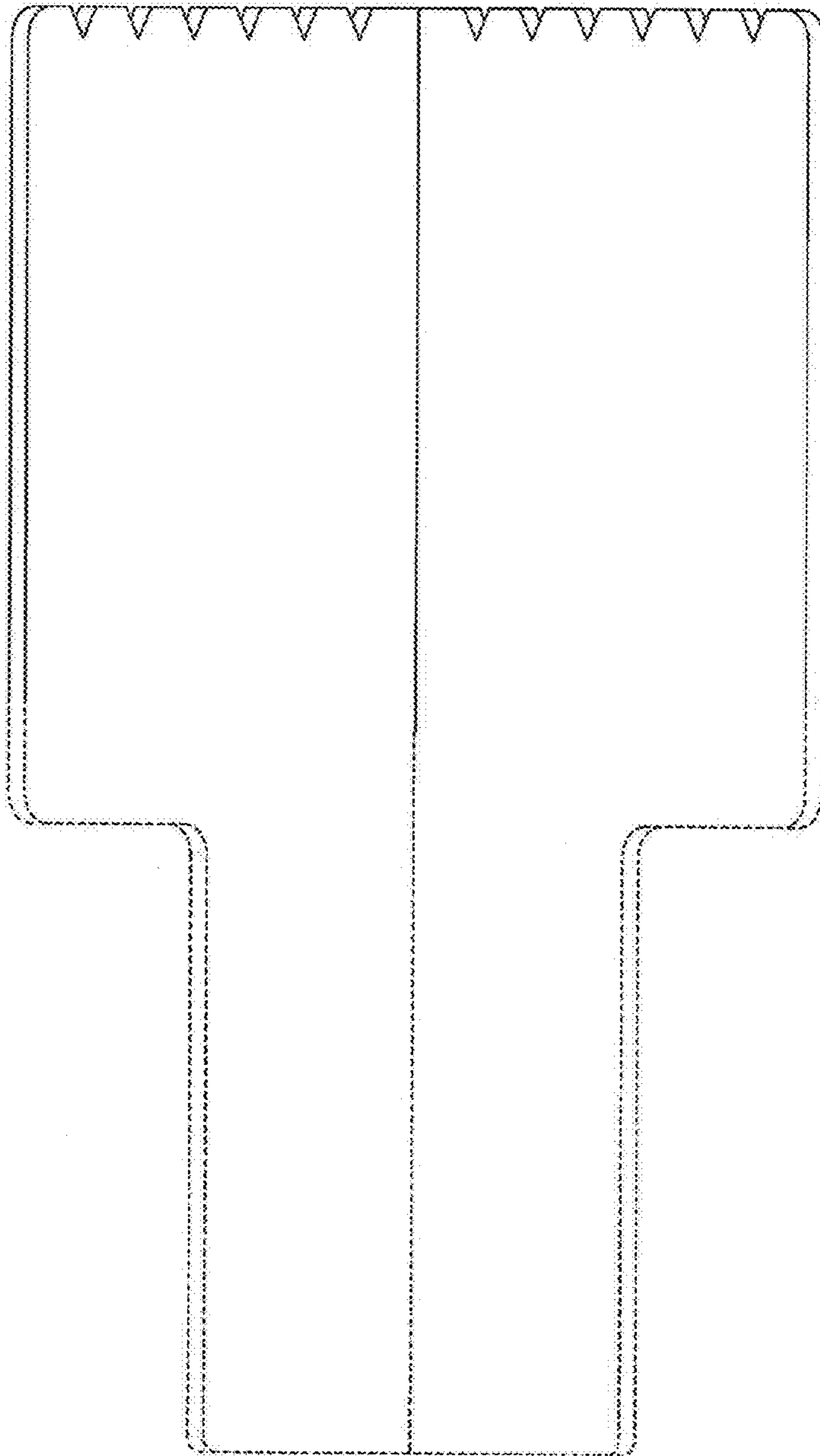


FIG. 4

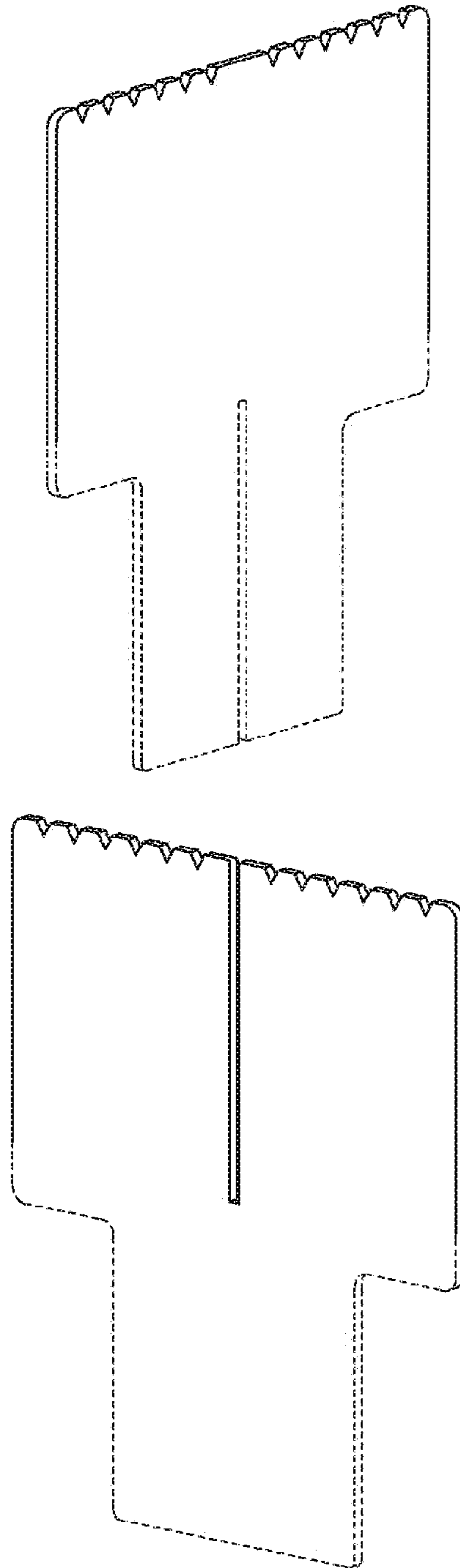


FIG. 5

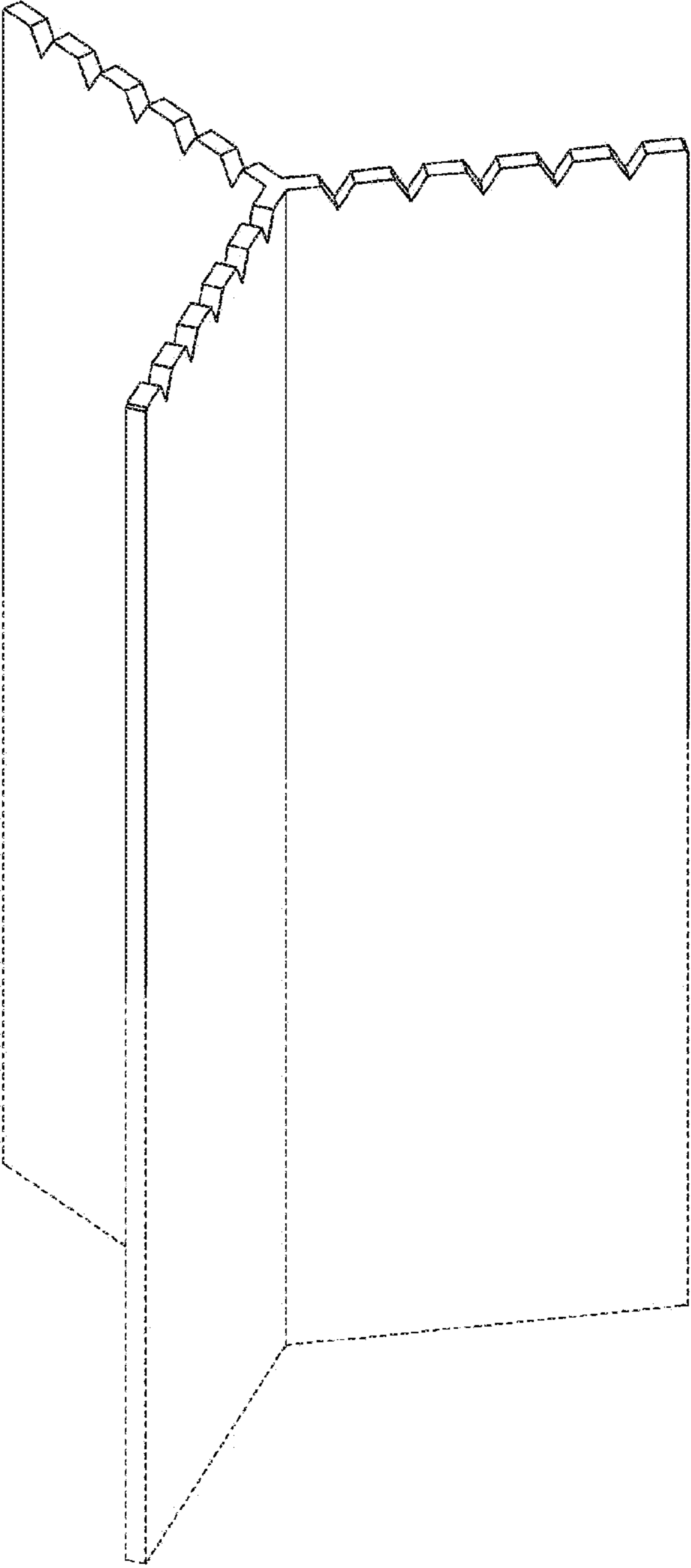


FIG. 6