



US00D695871S

(12) **United States Design Patent**
Donahue et al.

(10) **Patent No.:** **US D695,871 S**

(45) **Date of Patent:** **** Dec. 17, 2013**

(54) **DISRUPTOR**

(75) Inventors: **Brent Donahue**, Newton, NJ (US); **Hau T. Do**, Lake Hopatcong, NJ (US); **Peter Chiu**, New York, NY (US); **Kevin Russell**, Jersey City, NJ (US)

(73) Assignee: **The United States of America as Represented by the Secretary of the Army**, Washington, DC (US)

(**) Term: **14 Years**

(21) Appl. No.: **29/427,432**

(22) Filed: **Jul. 18, 2012**

(51) **LOC (9) Cl.** **22-03**

(52) **U.S. Cl.**
USPC **D22/112**

(58) **Field of Classification Search**
USPC D22/112, 115-116; 102/346, 430, 439, 102/448, 458, 460, 464-468, 471, 501, 506, 102/508, 514, 517, 521; 89/10, 19.5, 23, 89/25, 46-48, 54-55; 473/569; D11/10-11, 26-28, 40-43, 75, 89-93; D28/8.1; D21/386; D24/100-101; 119/702, 707-711

See application file for complete search history.

(56) **References Cited**

U.S. PATENT DOCUMENTS

465,230	A *	12/1891	Wilson, Jr.	102/519
5,398,587	A *	3/1995	Kornblith	89/1.34
6,146,292	A *	11/2000	Yamanaka	473/569
7,841,989	B2 *	11/2010	Kiefer et al.	600/559
8,191,480	B2 *	6/2012	Mcaninch	102/447
8,418,624	B2 *	4/2013	McGarraugh et al.	102/517
2009/0301457	A1 *	12/2009	De Lair et al.	124/56
2012/0097015	A1 *	4/2012	Alford et al.	86/50
2012/0192704	A1 *	8/2012	Wilson et al.	86/50
2013/0133581	A1 *	5/2013	Anderson et al.	119/51.01
2013/0186294	A1 *	7/2013	Davies et al.	102/467

* cited by examiner

Primary Examiner — Michael A Pratt

(74) *Attorney, Agent, or Firm* — Henry S. Goldfine

(57) **CLAIM**

The ornamental design for a disruptor, as shown and described.

DESCRIPTION

The invention described and claimed herein may be manufactured, used, and licensed by or for the U.S. Government for U.S. Government purposes.

FIG. 1 is a perspective view of a disruptor showing our new design, as seen from the front and side thereof;

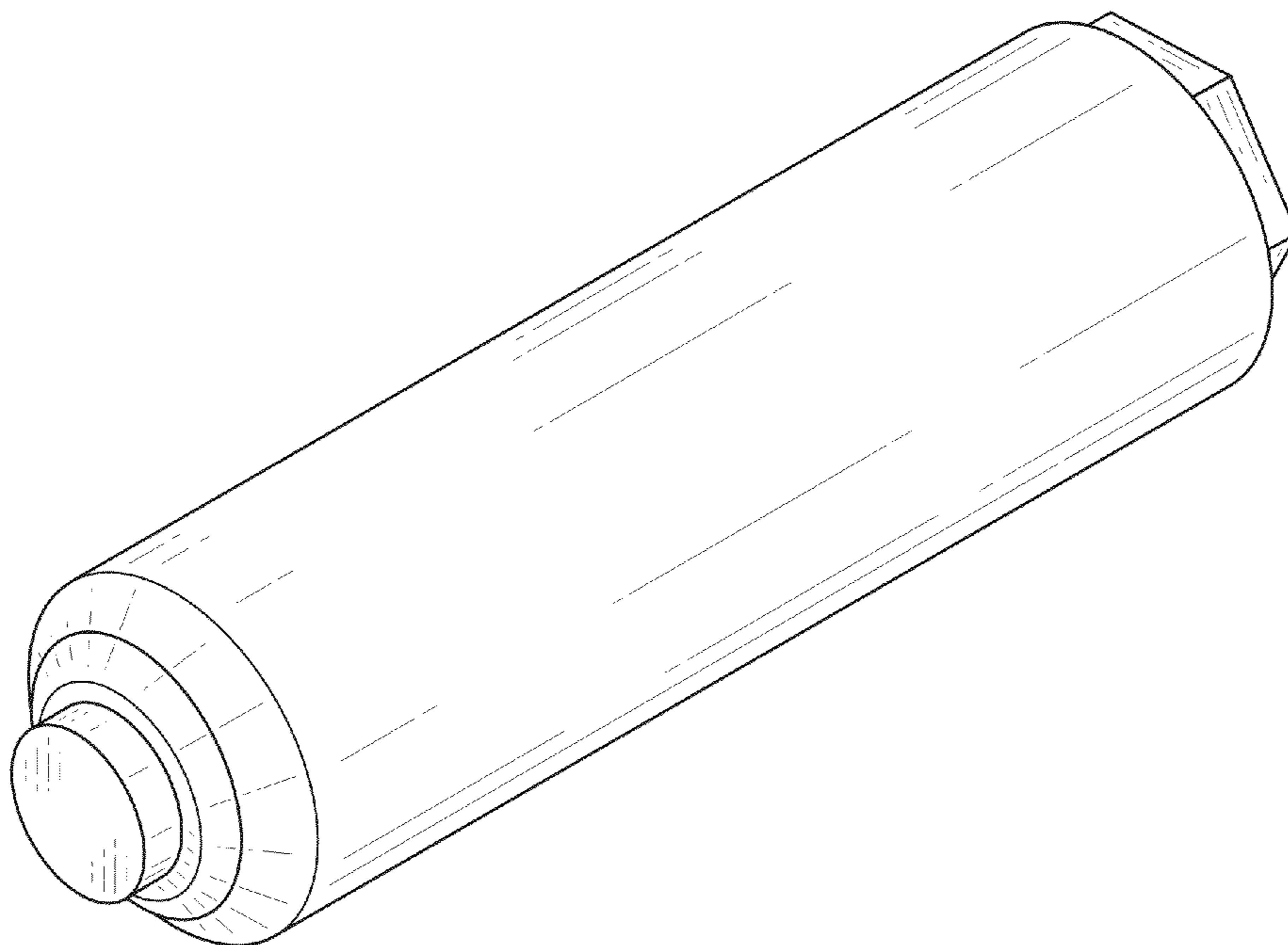
FIG. 2 is a perspective view as seen from the rear and side thereof;

FIG. 3 is a front elevation view thereof;

FIG. 4 is a side elevation view thereof, the opposite side being a mirror image thereof; and,

FIG. 5 is a rear elevation view thereof.

1 Claim, 3 Drawing Sheets



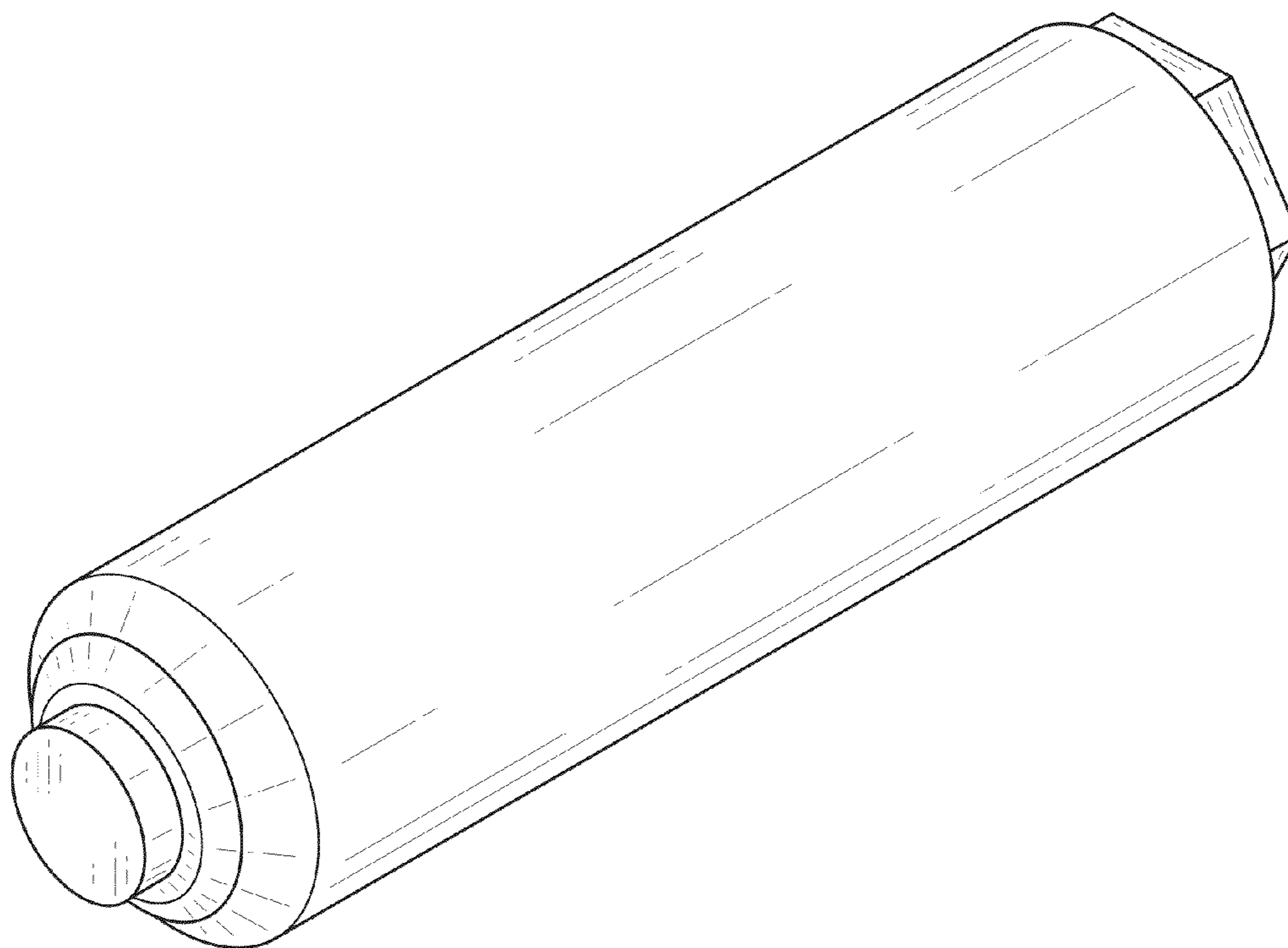


FIG. 1

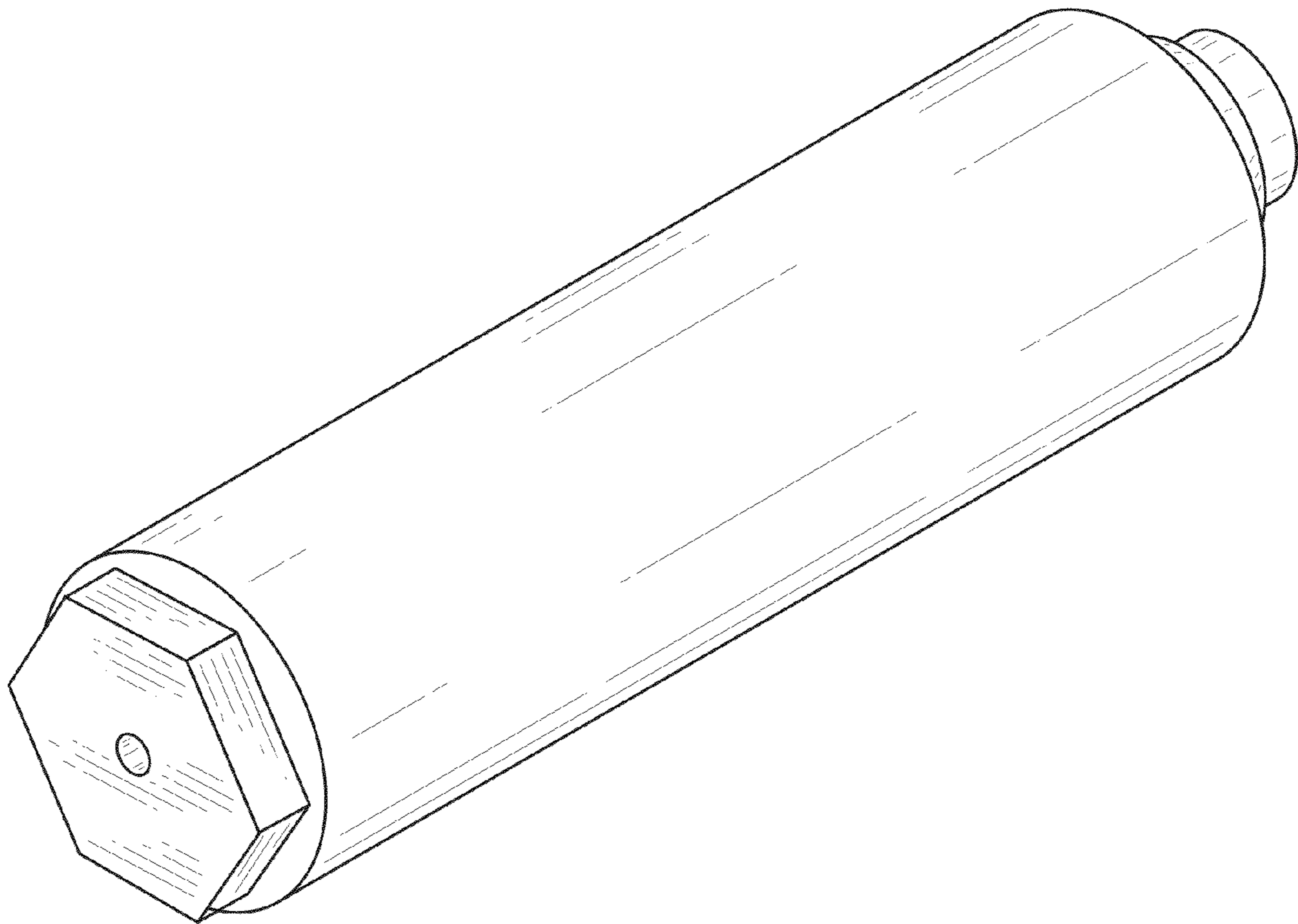


FIG. 2

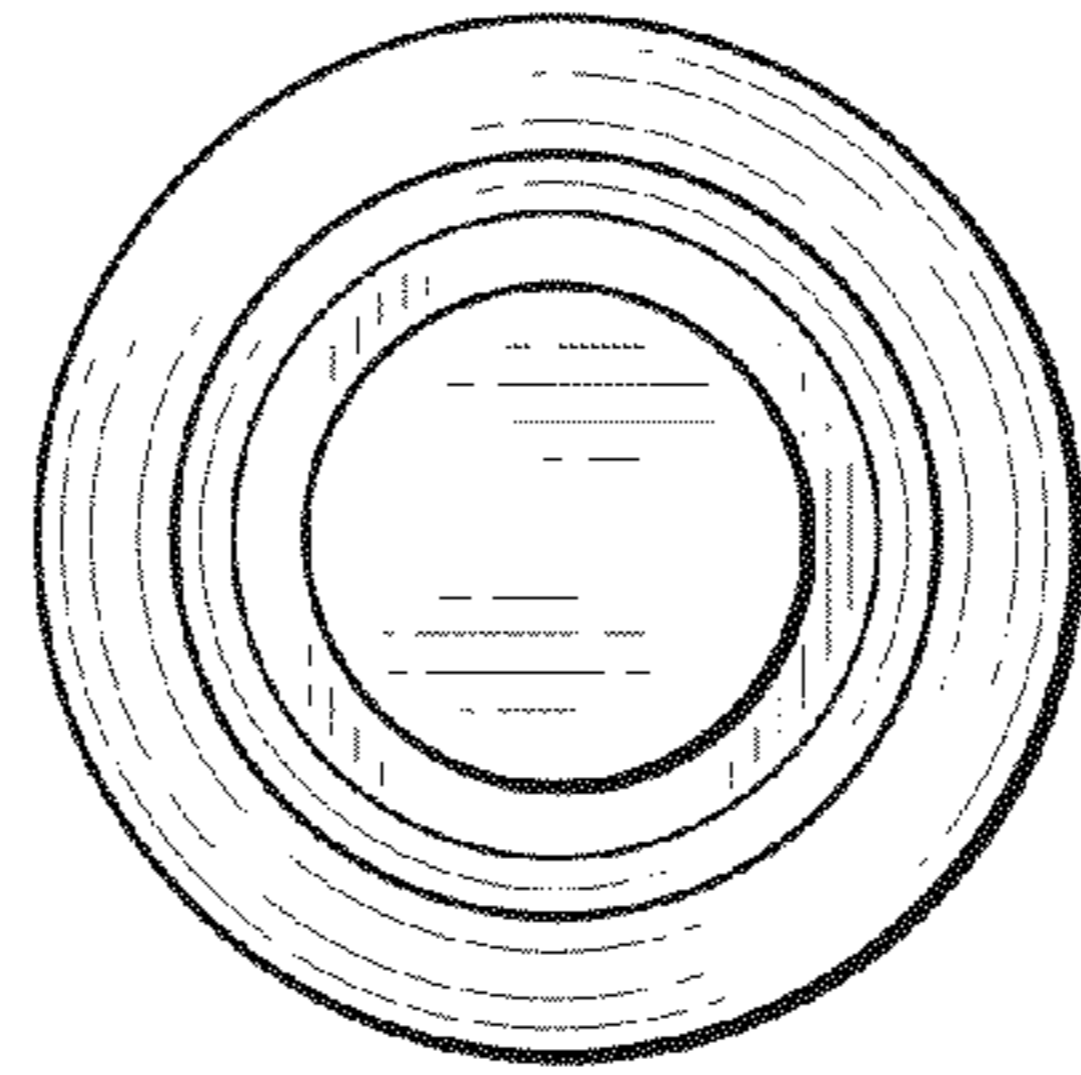


FIG. 3

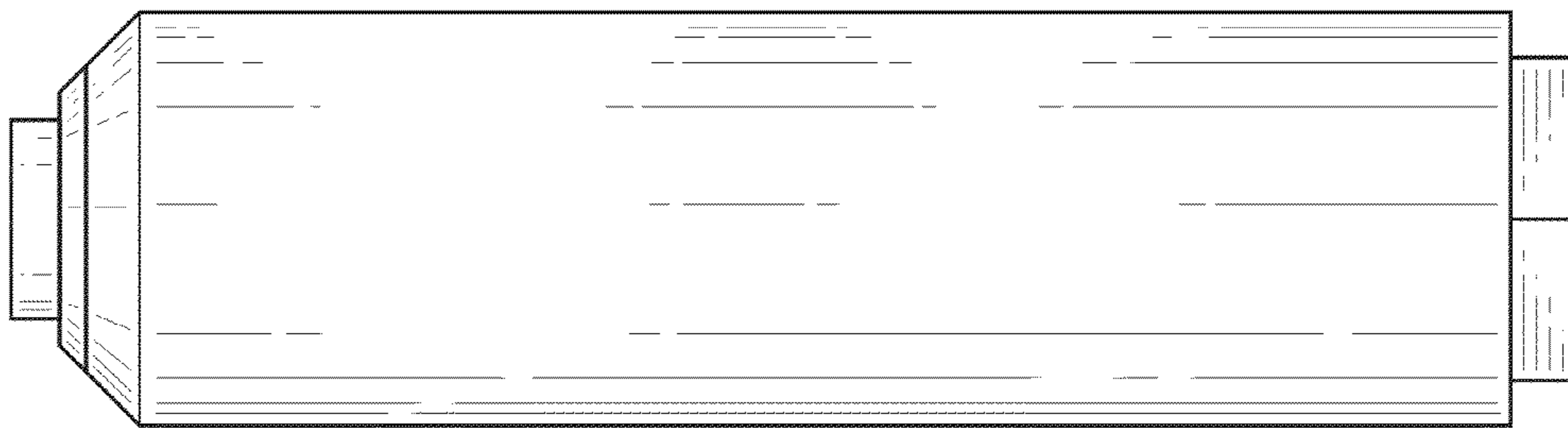


FIG. 4

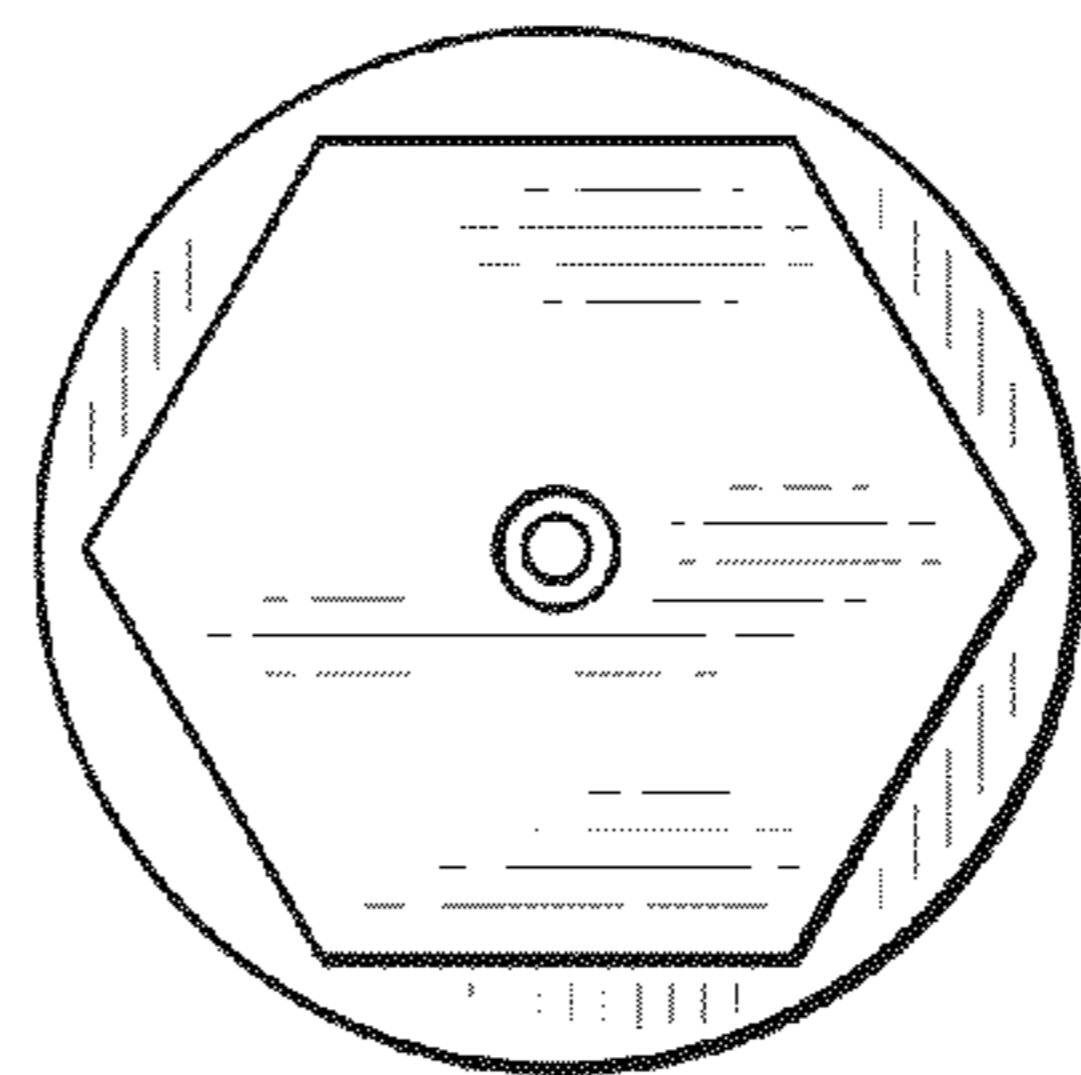


FIG. 5