



US00D695870S

(12) **United States Design Patent**  
**Melville**

(10) **Patent No.:** **US D695,870 S**

(45) **Date of Patent:** **\*\* Dec. 17, 2013**

(54) **WEAPON RETENTION SYSTEM**

(71) Applicant: **Bad Company Tactical, Inc.**, San Antonio, TX (US)

(72) Inventor: **Toby J. Melville**, San Antonio, TX (US)

(73) Assignee: **Bad Company Tactical, Inc.**, San Antonio, TX (US)

(\*\*) Term: **14 Years**

(21) Appl. No.: **29/442,770**

(22) Filed: **May 13, 2013**

**Related U.S. Application Data**

(62) Division of application No. 29/395,396, filed on Jan. 12, 2012, now Pat. No. Des. 685,051.

(51) **LOC (9) Cl.** ..... **22-01**

(52) **U.S. Cl.**  
USPC ..... **D22/108**

(58) **Field of Classification Search**  
USPC ..... D22/108; D3/222-223; 224/191-193,  
224/238, 243, 911-912, 901.4, 666, 676,  
224/668

See application file for complete search history.

(56) **References Cited**

**U.S. PATENT DOCUMENTS**

4,750,656	A *	6/1988	Bianchi et al.	224/673
6,626,336	B1 *	9/2003	Krusell	224/271
6,752,300	B2 *	6/2004	Har-Shen	224/244
D568,043	S *	5/2008	Zusman	D3/222
D594,649	S *	6/2009	Zusman et al.	D3/222
7,922,050	B2 *	4/2011	Beneš	224/244
D685,051	S *	6/2013	Melville	D22/108

2012/0097718	A1 *	4/2012	Baumann et al.	224/193
2013/0168429	A1 *	7/2013	Pearce	224/676
2013/0181020	A1 *	7/2013	Rogers et al.	224/243

\* cited by examiner

*Primary Examiner* — Michael A Pratt

(74) *Attorney, Agent, or Firm* — Christopher L. Makay

(57) **CLAIM**

The ornamental design for a weapon retention system, as shown and described.

**DESCRIPTION**

FIG. 1 is a left side view illustrating the weapon retention system according to my new design;

FIG. 2 is a top view thereof;

FIG. 3 is a rear view thereof;

FIG. 4 is a perspective view illustrating a left side thereof;

FIG. 5 is a right side view illustrating a rail interface assembly thereof;

FIG. 6 is a perspective view illustrating a rear of the rail interface assembly thereof;

FIG. 7 is a bottom view illustrating a rail interface assembly thereof;

FIG. 8 is a left side view illustrating a base plate assembly thereof;

FIG. 9 is a perspective view illustrating a left side of the base plate assembly thereof;

FIG. 10 is a top view illustrating the base plate assembly thereof;

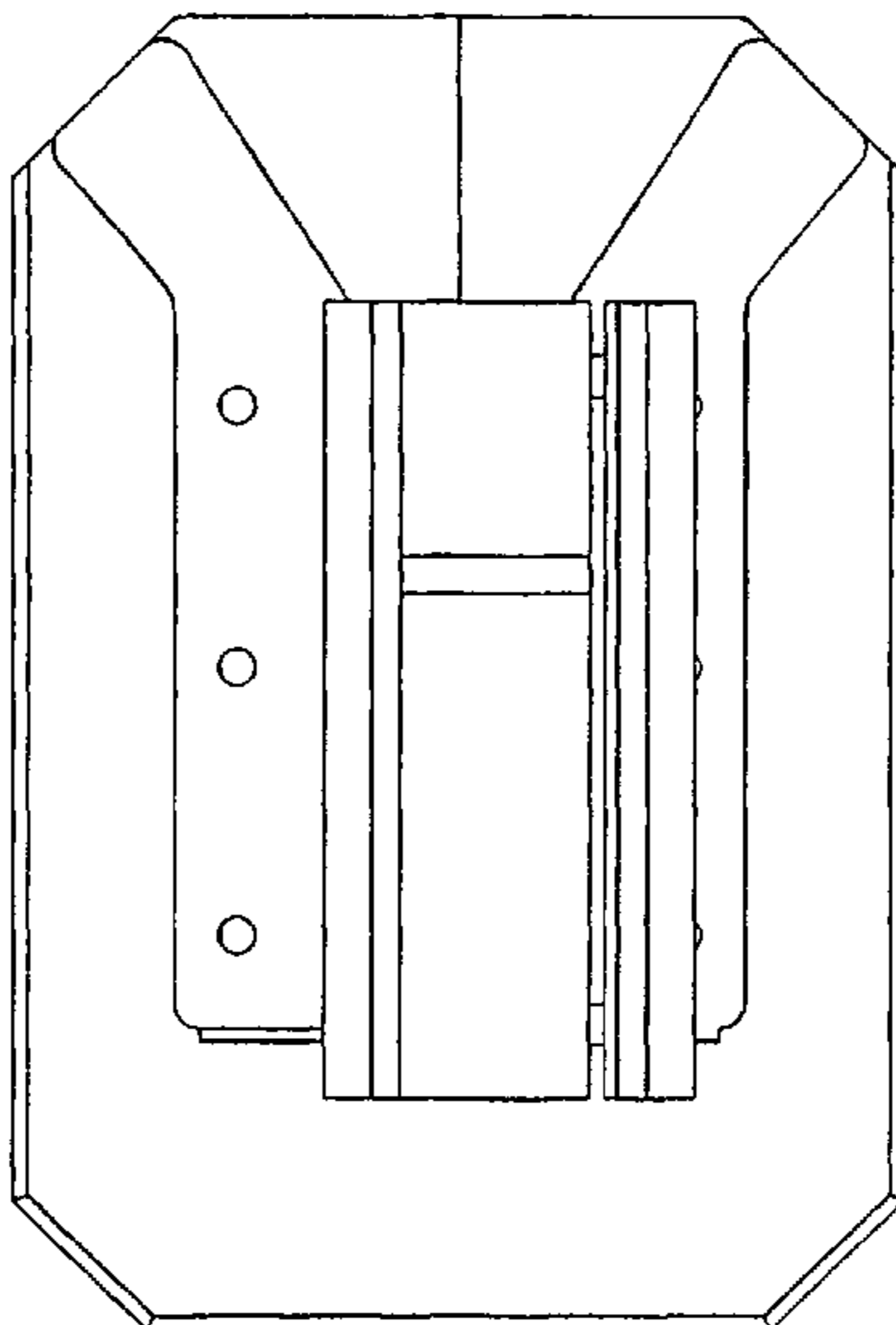
FIG. 11 is a perspective view illustrating a left side of the base plate assembly thereof;

FIG. 12 is a perspective view illustrating a left side thereof;

FIG. 13 is a perspective view illustrating a front and bottom of the rail interface assembly thereof; and,

FIG. 14 is a perspective view illustrating a front and top of the rail interface assembly thereof.

**1 Claim, 14 Drawing Sheets**



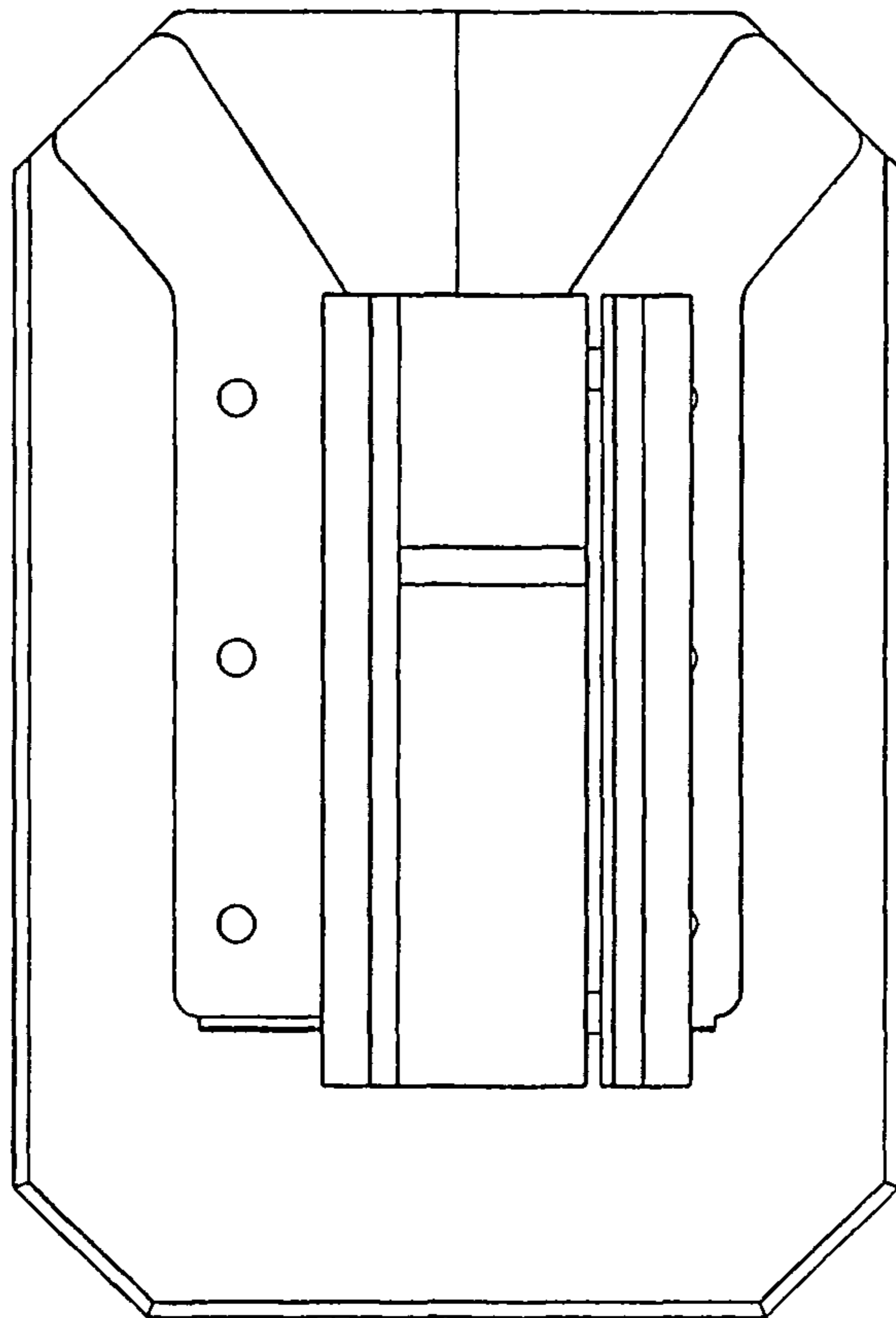


FIGURE 1

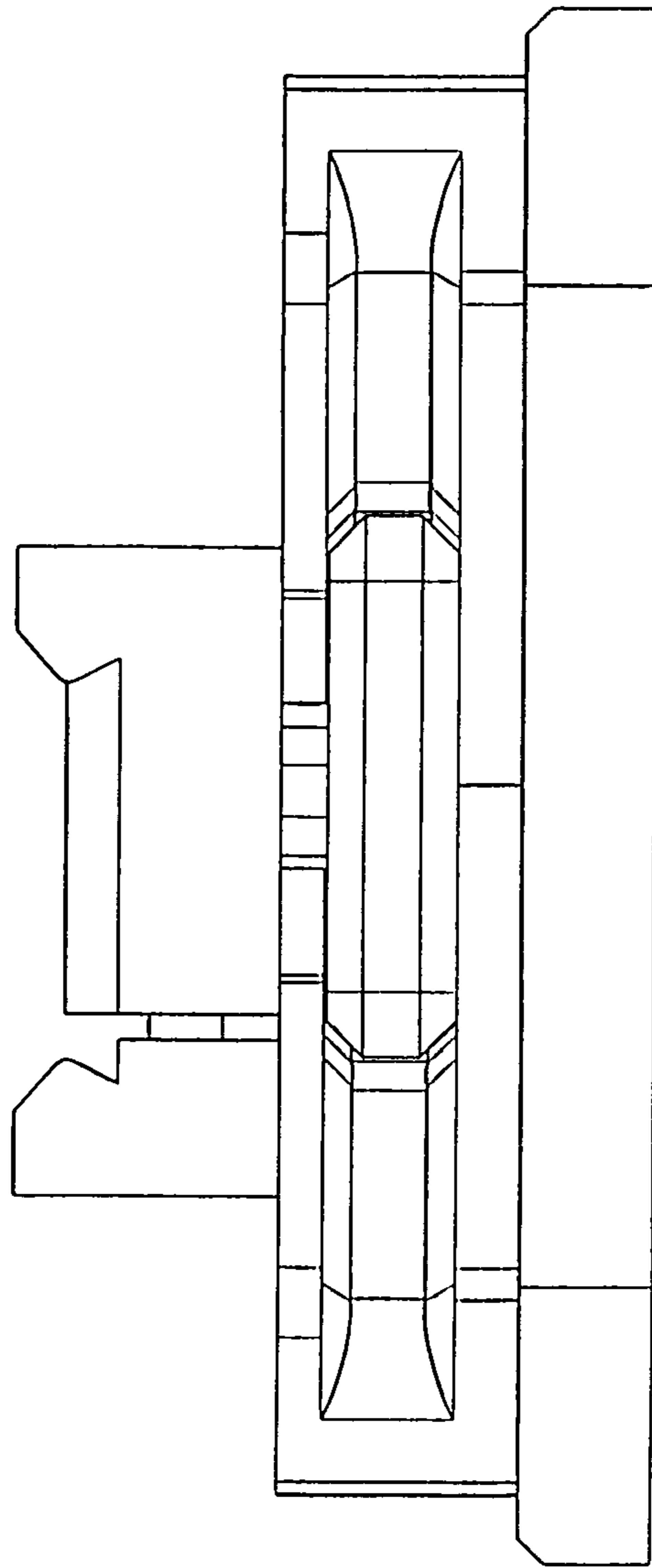


FIGURE 2

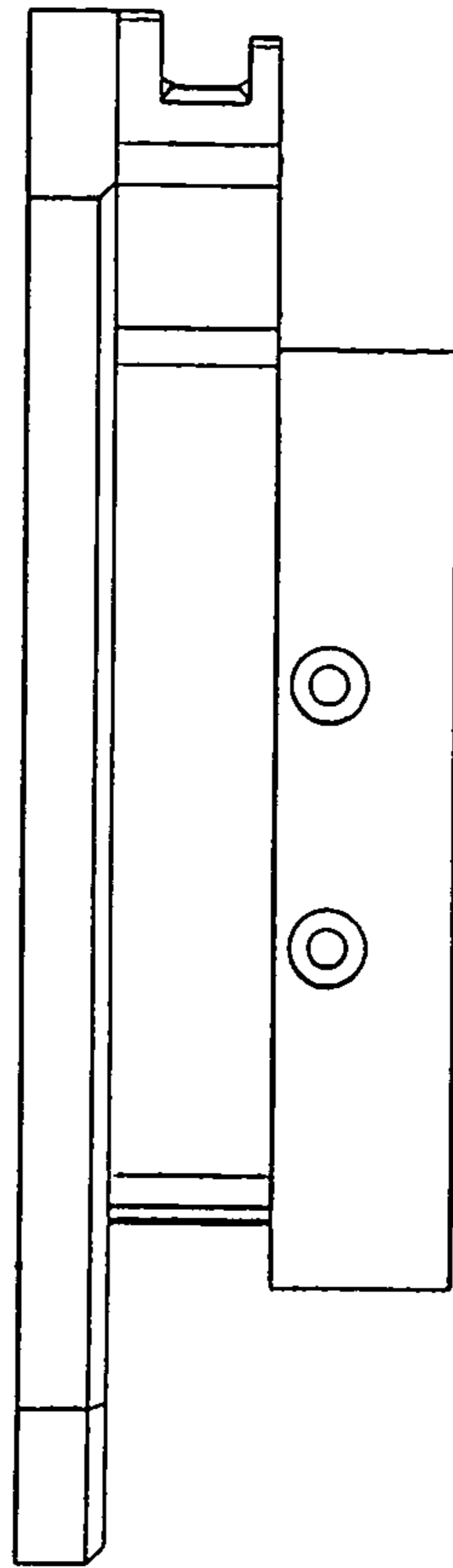


FIGURE 3

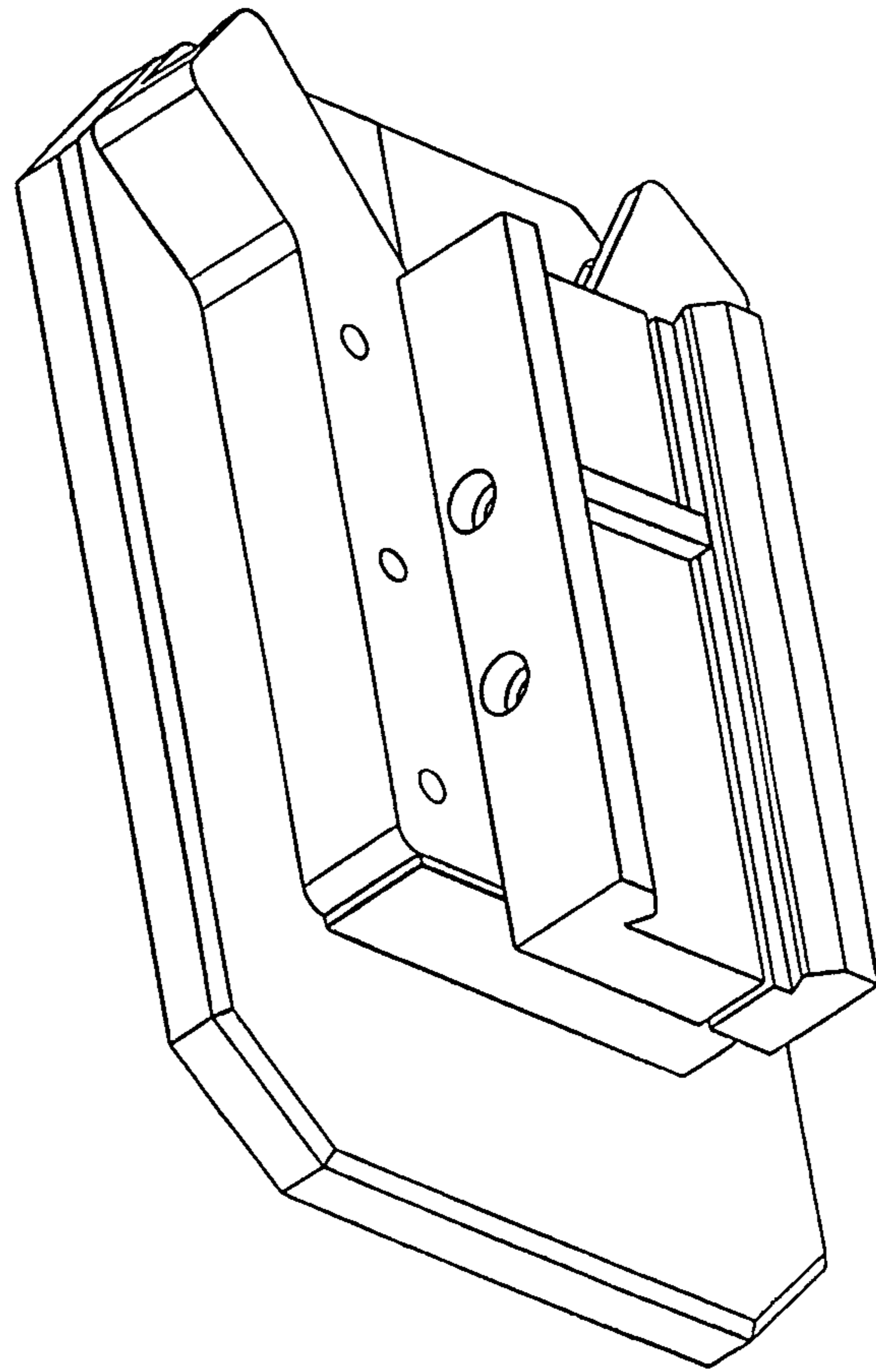


FIGURE 4

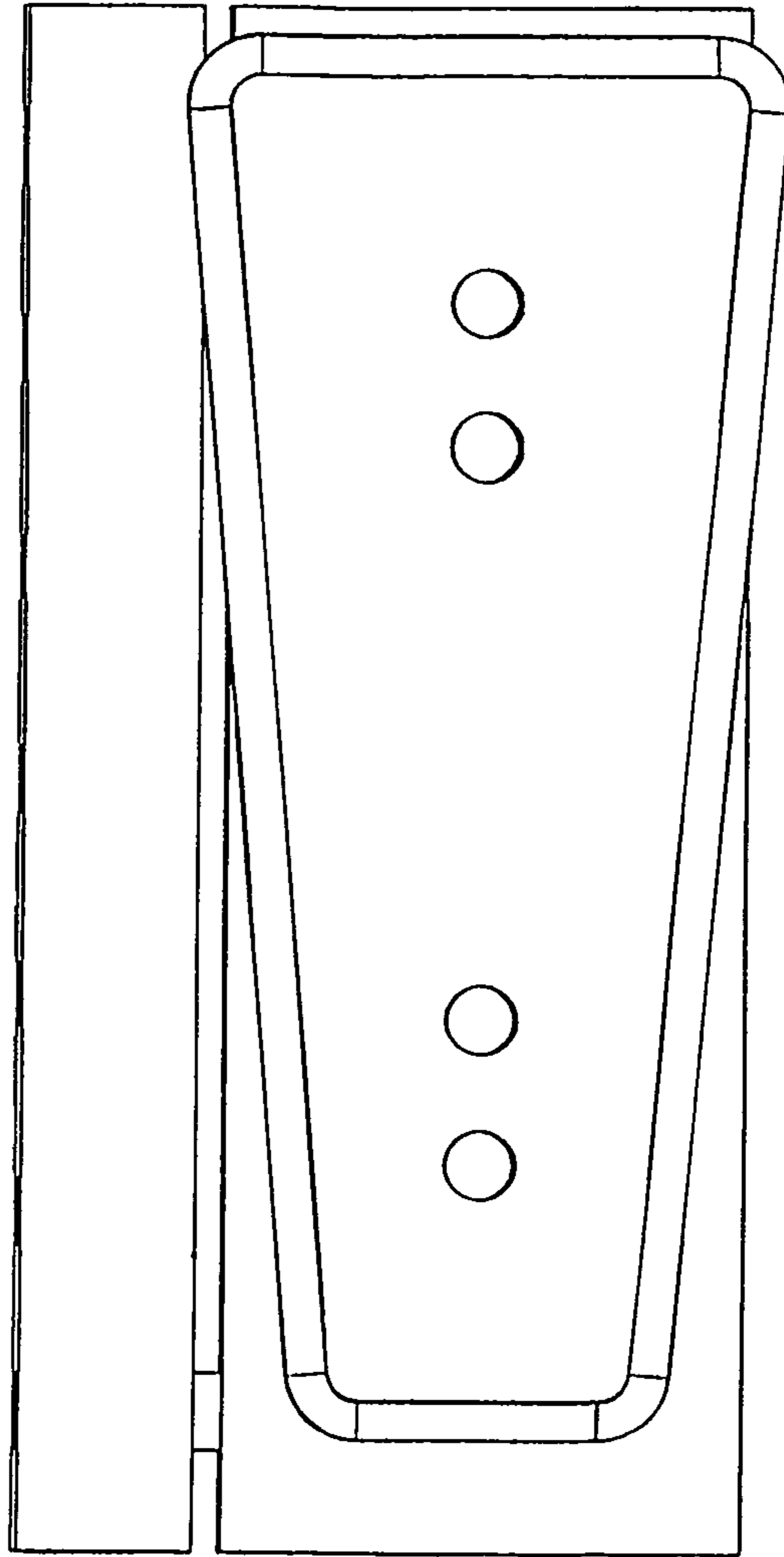


FIGURE 5

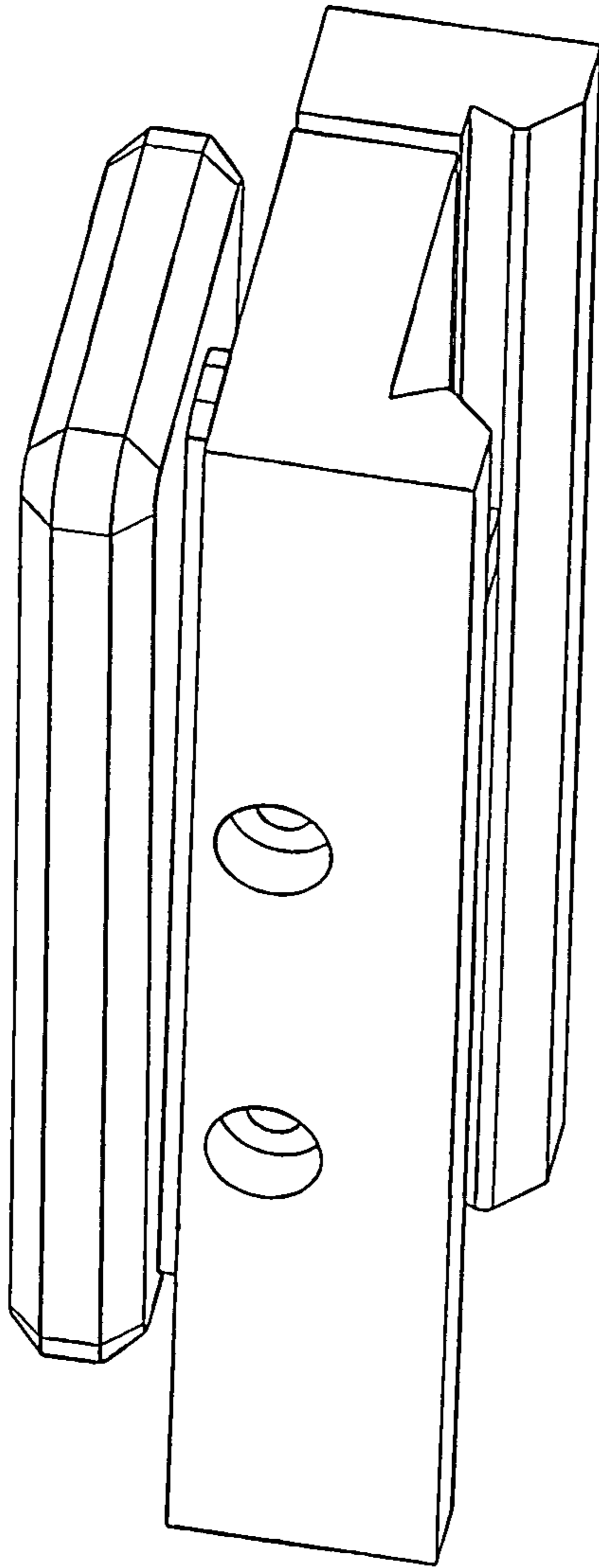


FIGURE 6

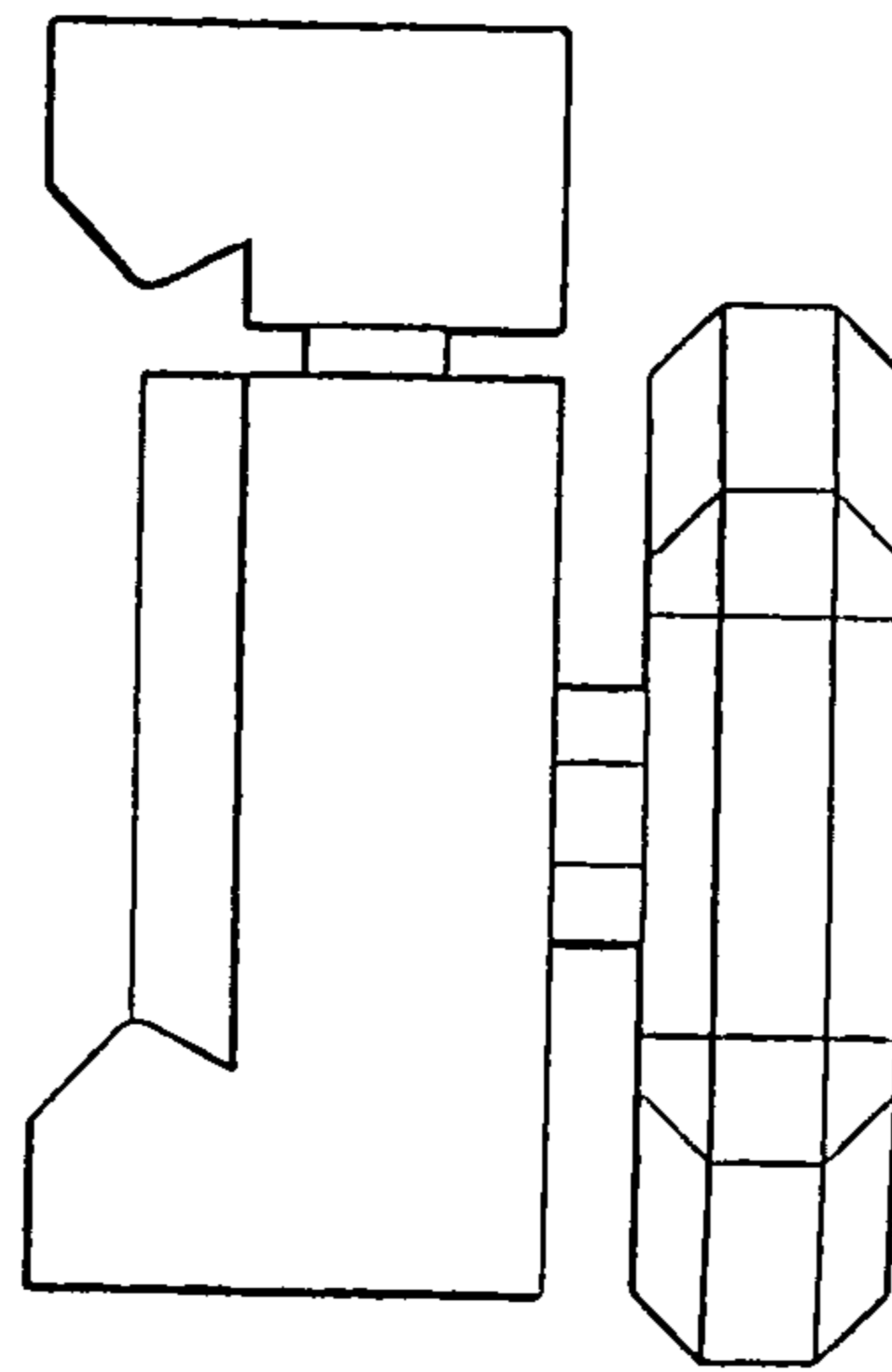


FIGURE 7



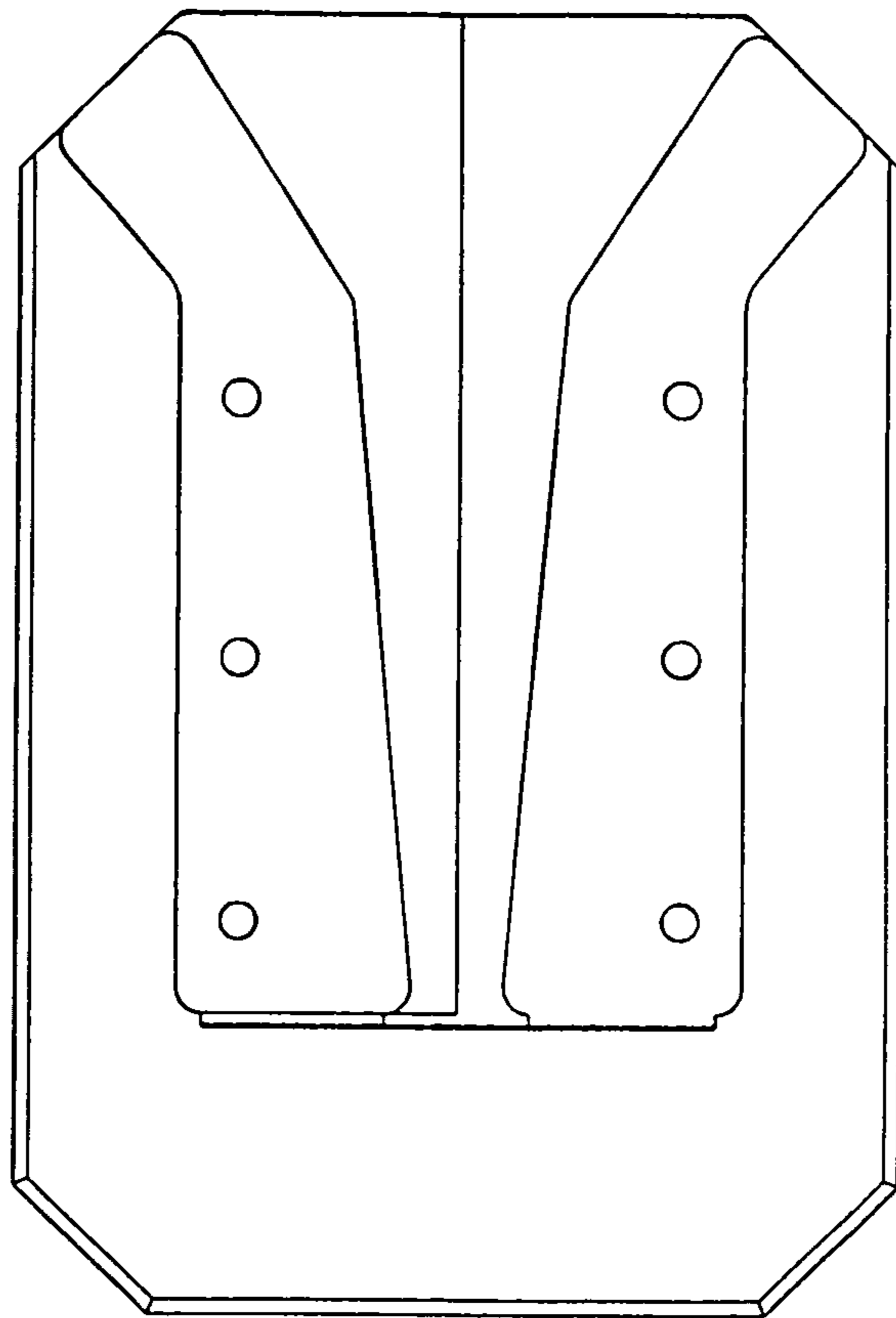


FIGURE 8

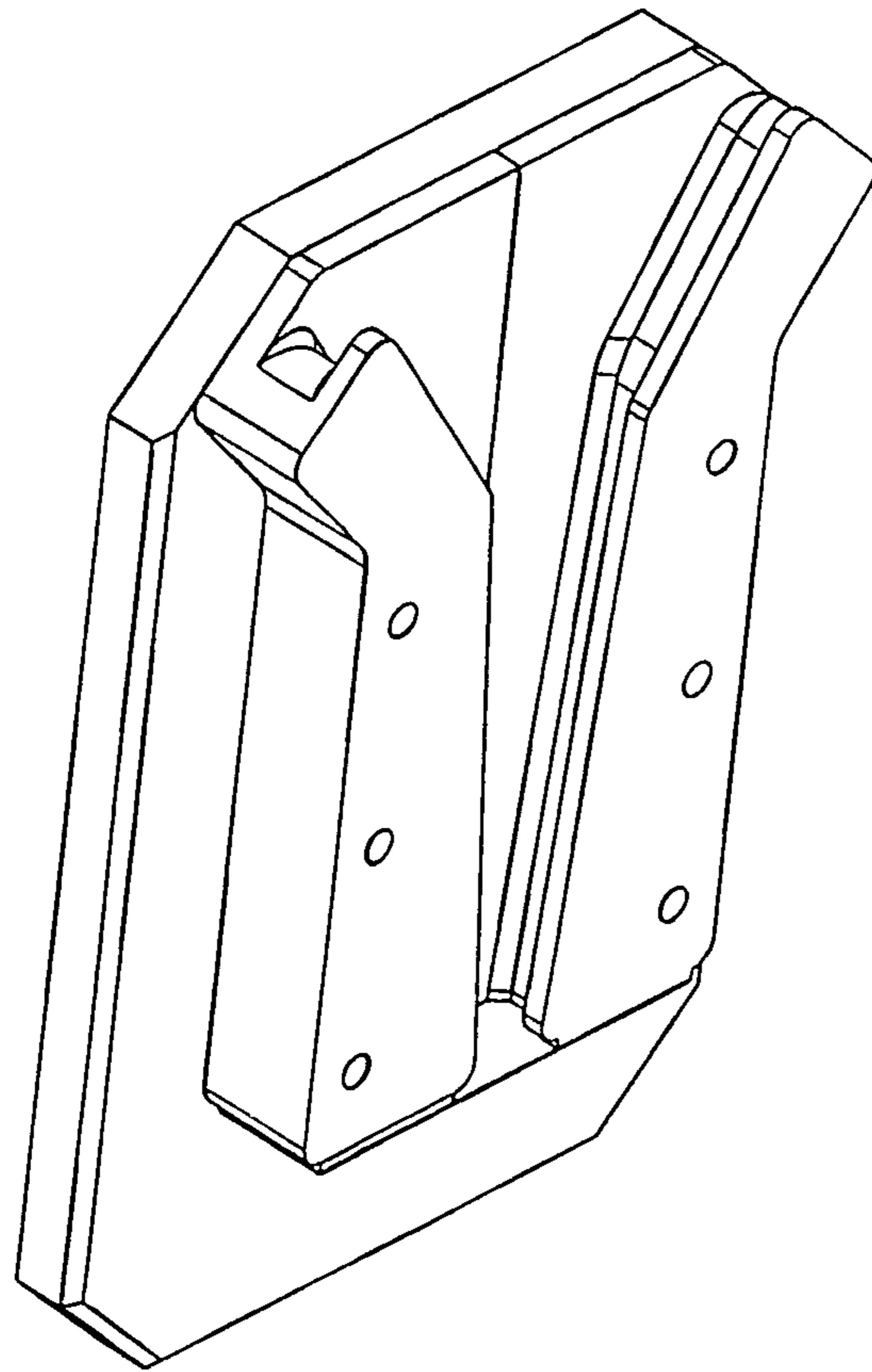


FIGURE 9

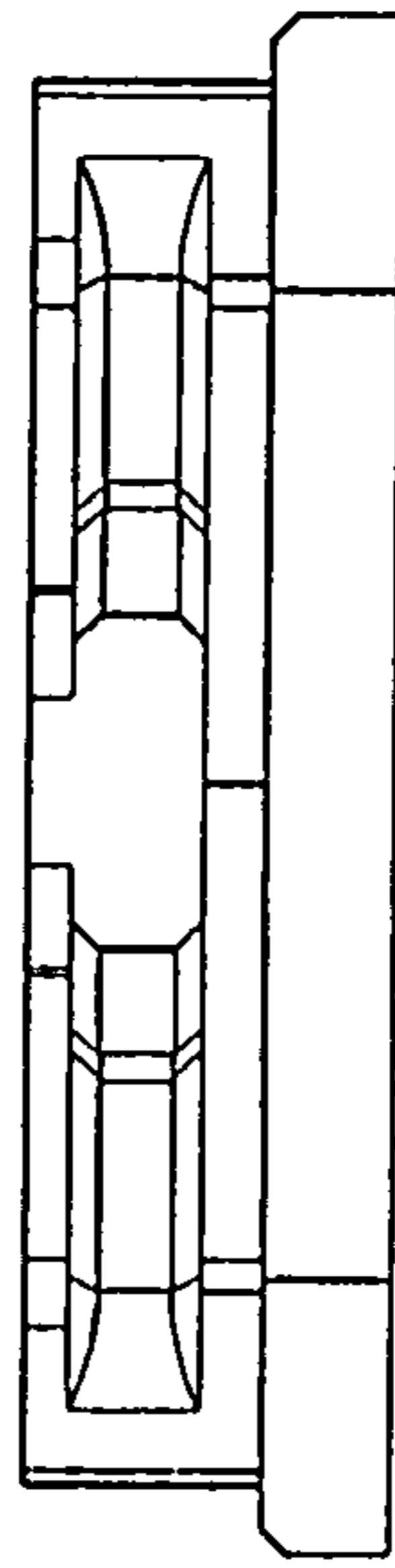


FIGURE 10

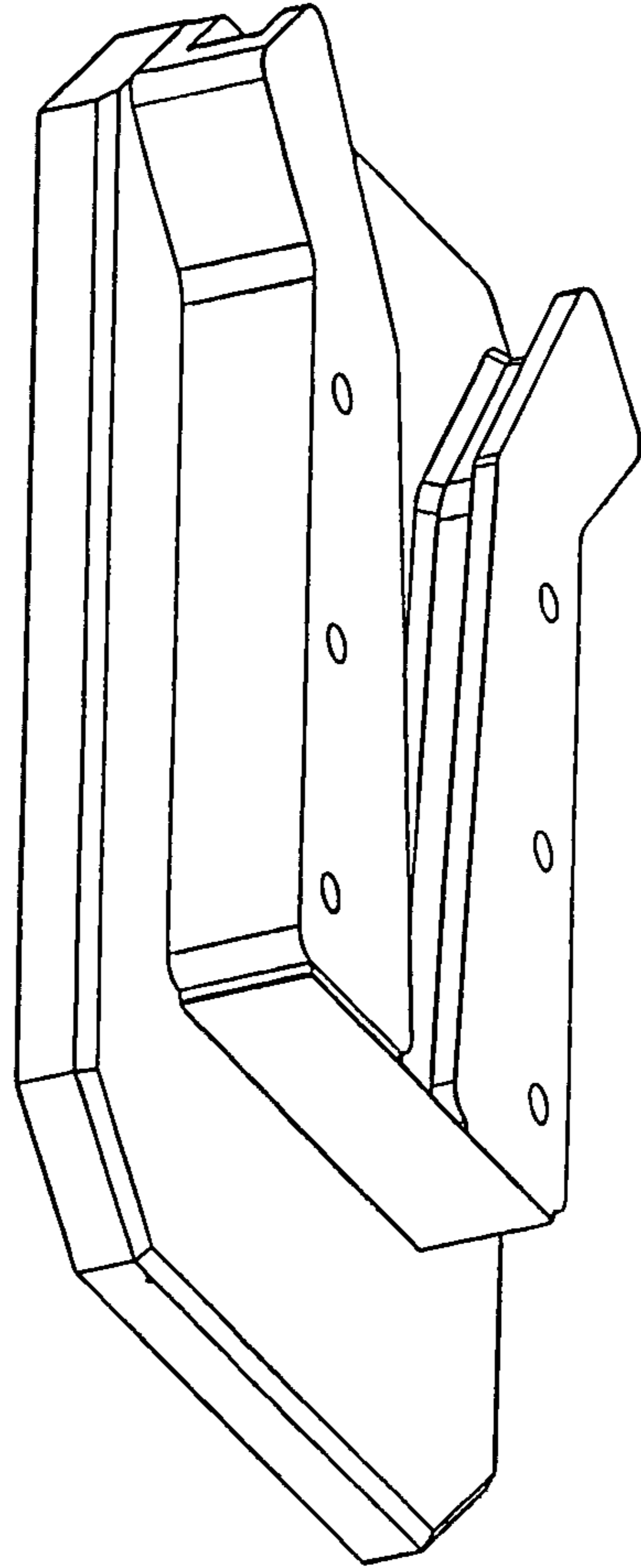


FIGURE 11

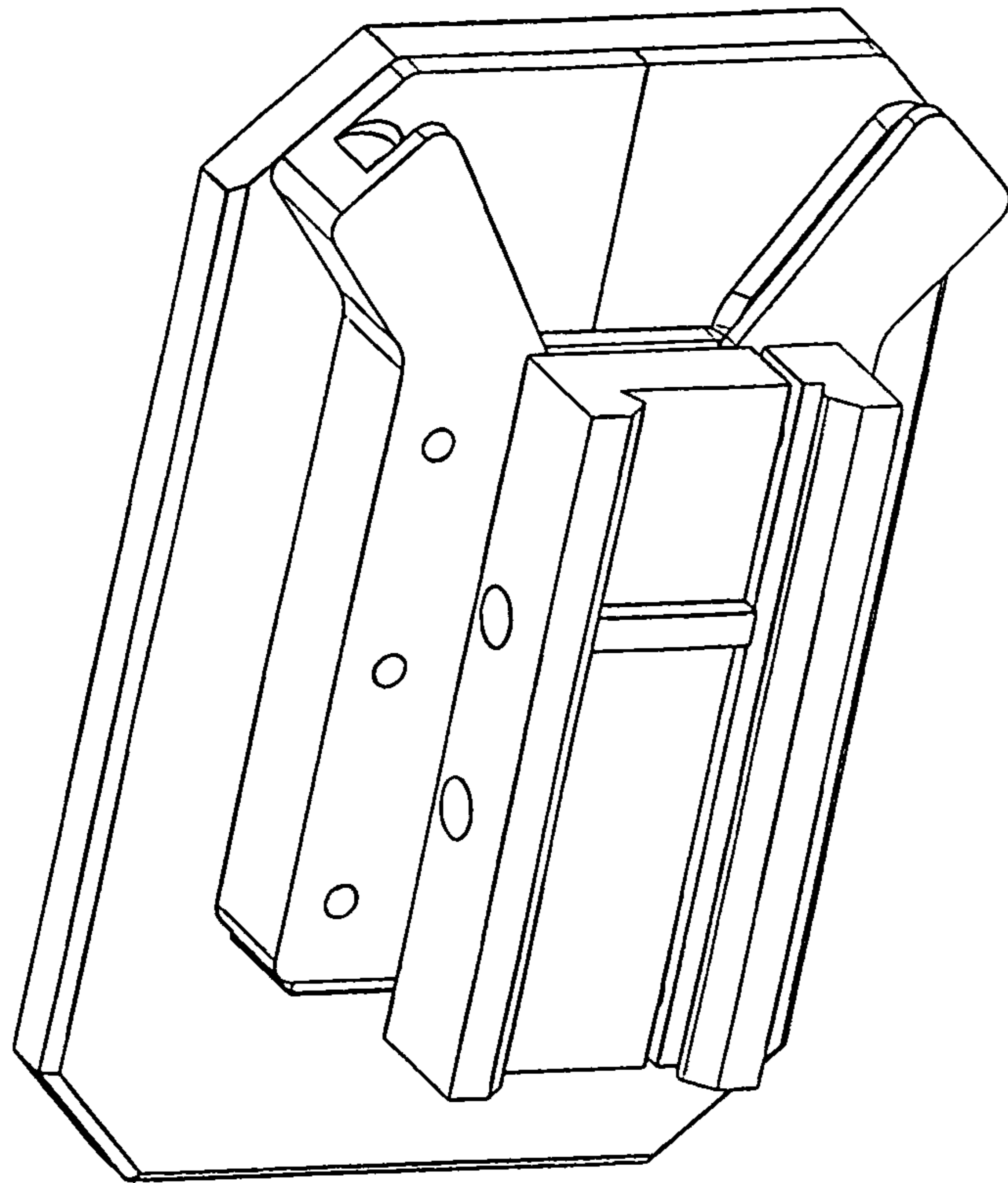


FIGURE 12

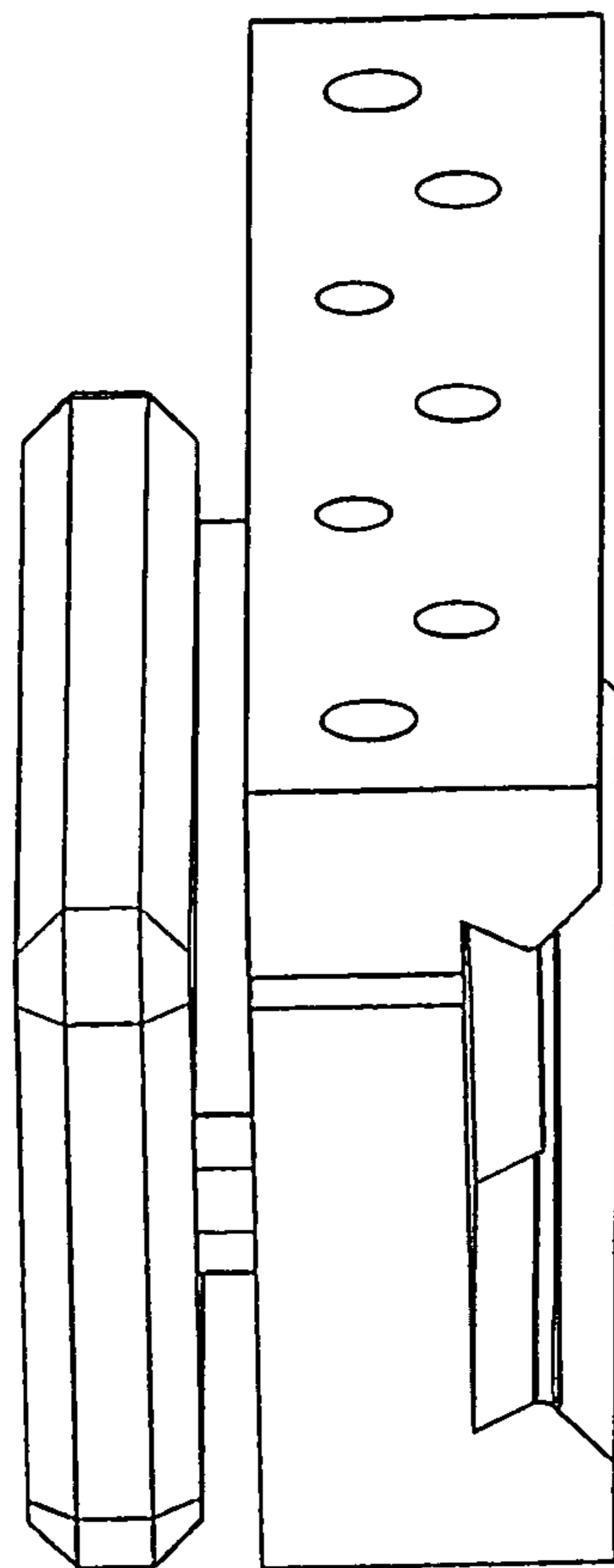


FIGURE 13

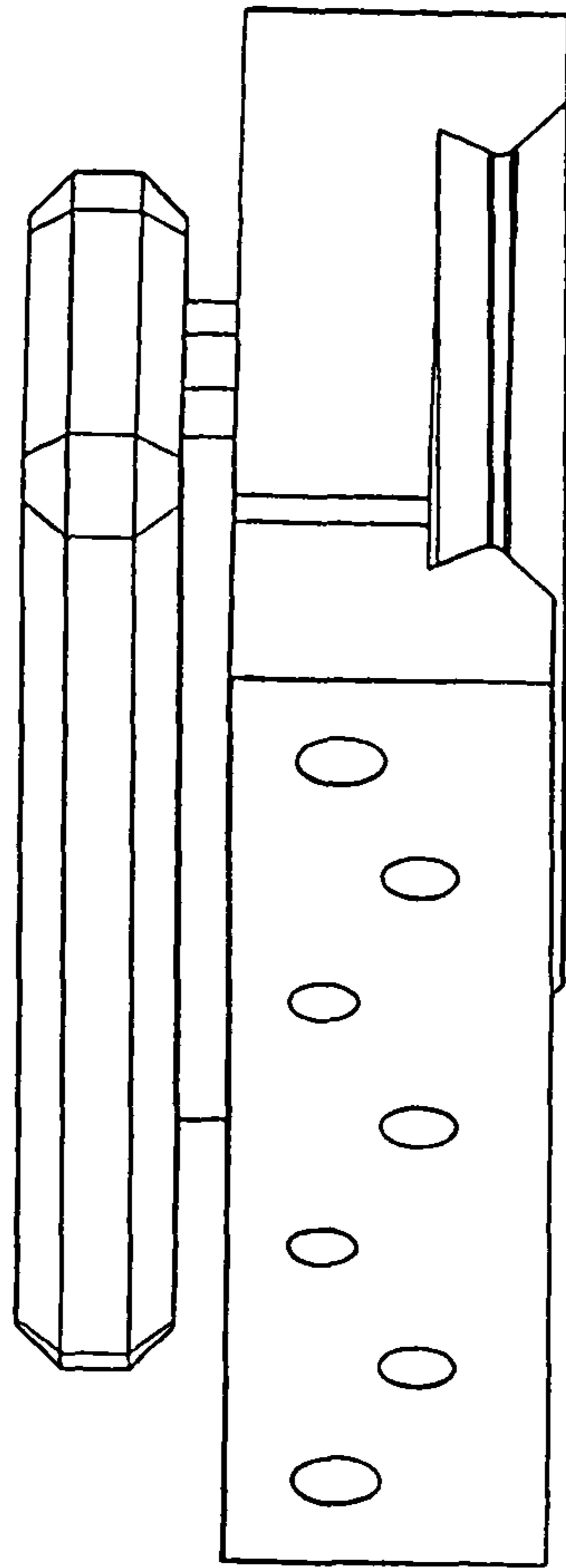


FIGURE 14