

US00D695861S

(12) **United States Design Patent**
MacKeen

(10) **Patent No.:** **US D695,861 S**

(45) **Date of Patent:** **** Dec. 17, 2013**

(54) **GOLF TEE**

(76) Inventor: **Gregory MacKeen**, Toronto (CA)

(**) Term: **14 Years**

(21) Appl. No.: **29/427,709**

(22) Filed: **Jul. 20, 2012**

(51) **LOC (9) Cl.** **21-02**

(52) **U.S. Cl.**
USPC **D21/718**

(58) **Field of Classification Search**
USPC D21/715-721, 789, 791, 793-796;
473/386-403
See application file for complete search history.

(56) **References Cited**

U.S. PATENT DOCUMENTS

1,552,991	A *	9/1925	Jones	473/393
D71,470	S *	11/1926	Lugar	D21/718
D78,530	S *	5/1929	McLeod	D21/717
D92,918	S *	7/1934	Millet	D21/718
3,203,700	A *	8/1965	Antonious	473/257
D393,301	S *	4/1998	Koskela	D21/718
5,759,118	A *	6/1998	Sroczyński	473/387
D524,885	S *	7/2006	Solari	D21/718
D555,218	S *	11/2007	Lee et al.	D21/718
D597,156	S *	7/2009	Chudy	D21/717

D605,713	S *	12/2009	Chudy	D21/717
D659,211	S *	5/2012	Bowen	D21/718
2012/0028734	A1 *	2/2012	MacKeen	473/387

FOREIGN PATENT DOCUMENTS

JP	D1322543	*	2/2008
JP	D1322972	*	2/2008
JP	D1358521	*	5/2009
JP	D1417488	*	6/2011

* cited by examiner

Primary Examiner — Catherine Tuttle

(74) *Attorney, Agent, or Firm* — QuickPatents; Kevin Prince

(57) **CLAIM**

I claim the ornamental design for a golf tee, as shown and described.

DESCRIPTION

FIG. 1 is a perspective view of a golf tee, showing my new design;

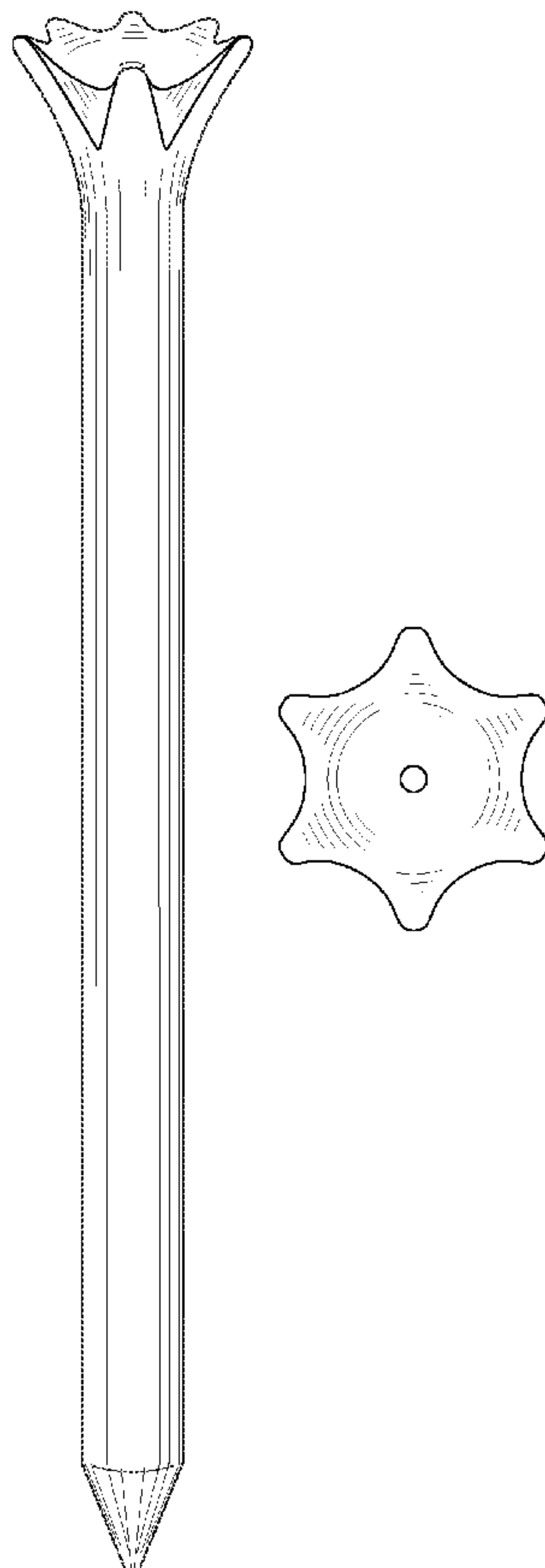
FIG. 2 is a front elevational view thereof, the rear elevational view being a mirror image thereof;

FIG. 3 is a left-side elevational view thereof, the right-side elevational view being a mirror image thereof;

FIG. 4 is a top plan view thereof; and,

FIG. 5 is a bottom plan view thereof.

1 Claim, 2 Drawing Sheets



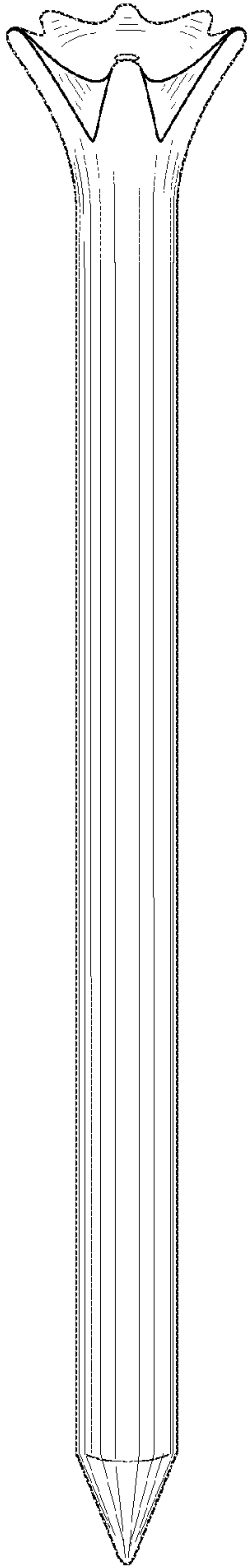


FIG. 1

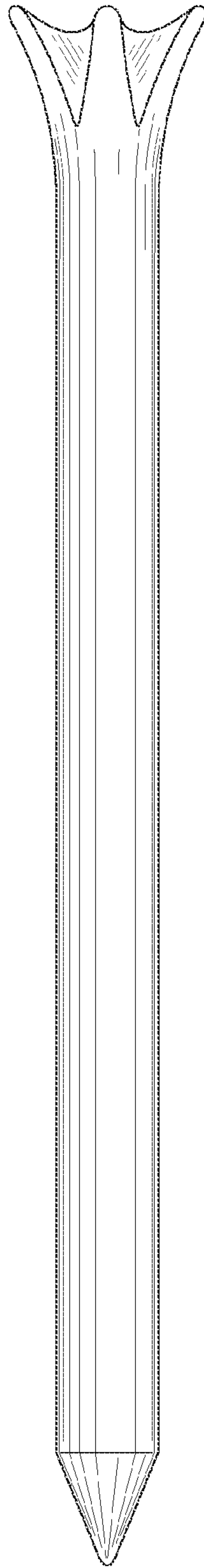


FIG. 2

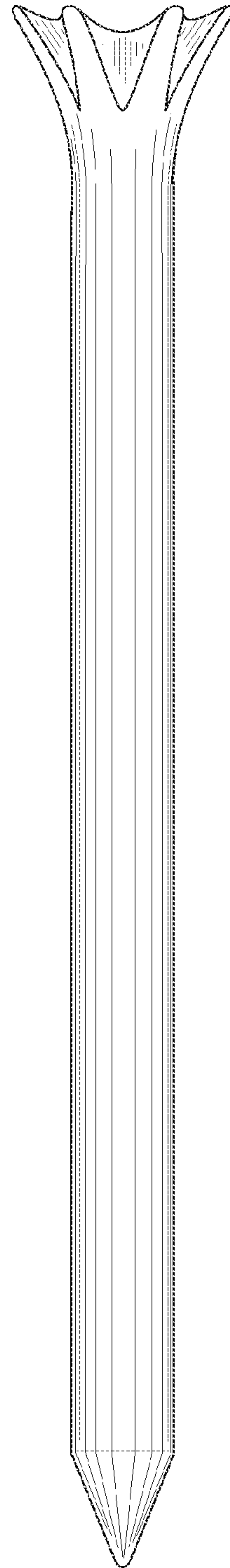


FIG. 3

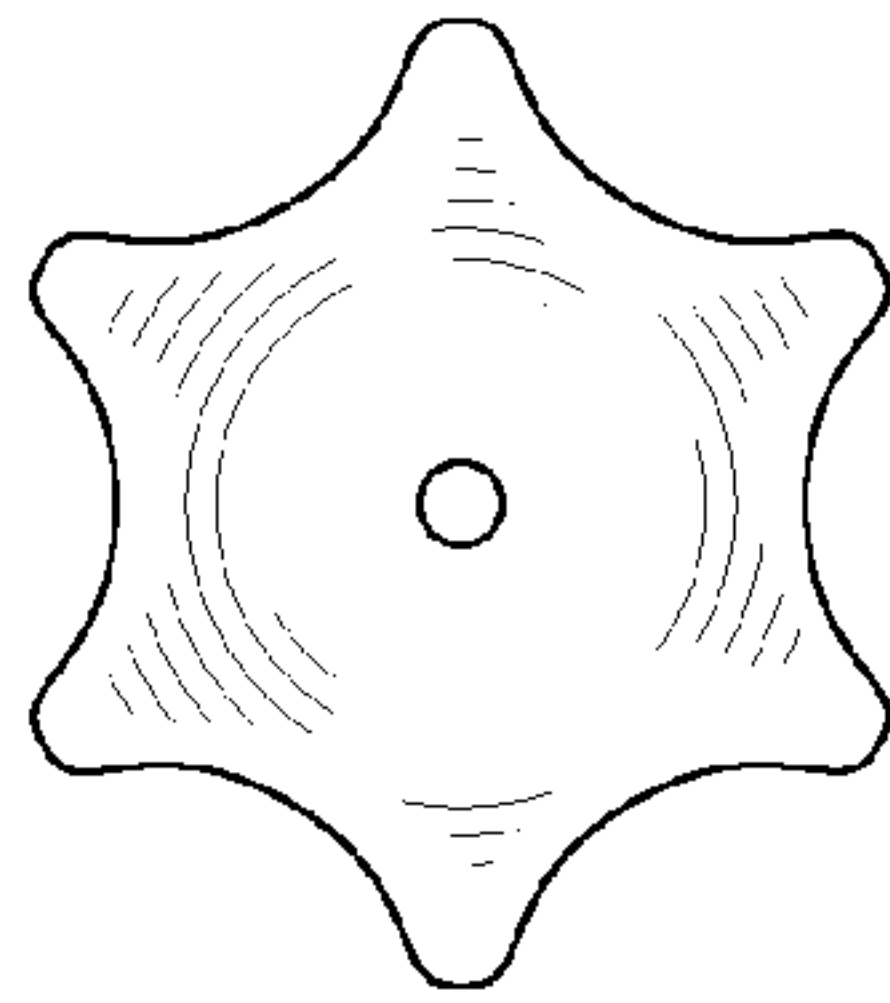


FIG. 4

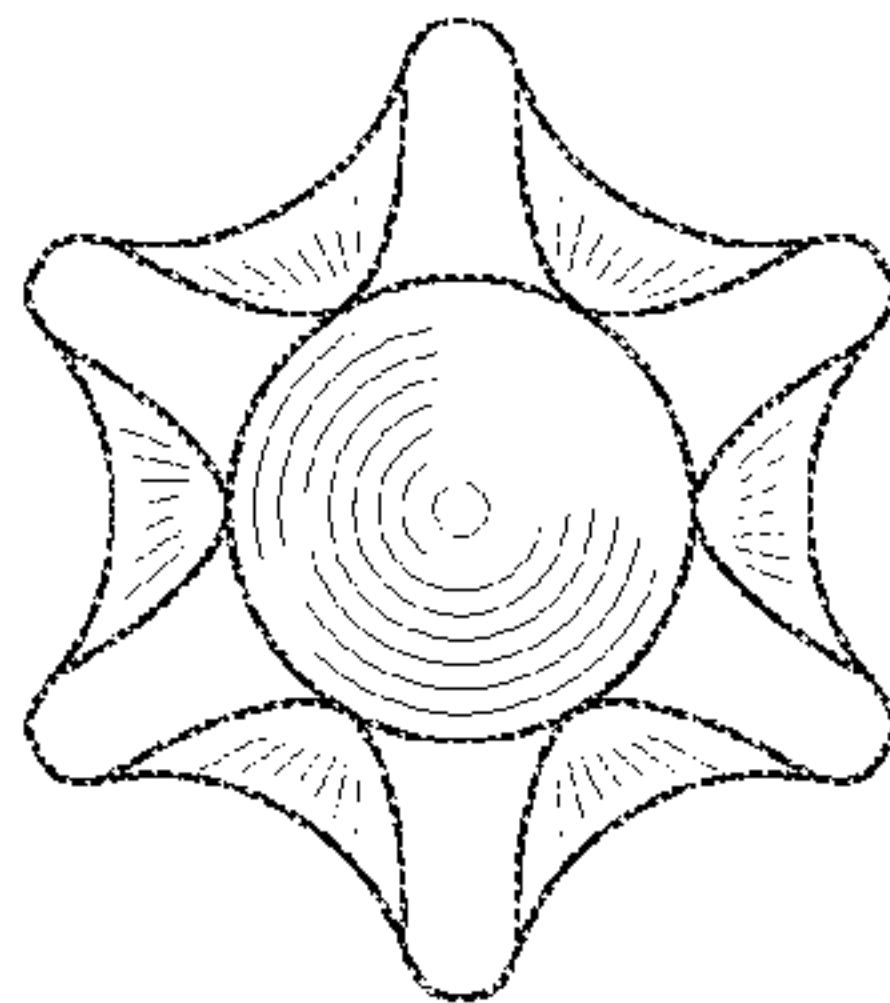


FIG. 5