

US00D695860S

(12) **United States Design Patent**
Giovanni

(10) **Patent No.:** **US D695,860 S**

(45) **Date of Patent:** **** Dec. 17, 2013**

(54) **GOLF BALL STABILIZER**

(75) Inventor: **John Giovanni**, Southeastern, PA (US)

(73) Assignee: **T-EASE, LLC**, Southeastern, PA (US)

(**) Term: **14 Years**

(21) Appl. No.: **29/424,292**

(22) Filed: **Jun. 11, 2012**

(51) **LOC (9) Cl.** **21-02**

(52) **U.S. Cl.**
USPC **D21/717**

(58) **Field of Classification Search**
USPC D21/715-721, 789, 791, 793-796;
473/386-403
See application file for complete search history.

(56) **References Cited**

U.S. PATENT DOCUMENTS

1,152,649	A *	9/1915	Luellen	473/388
1,499,218	A *	6/1924	Hoover	425/286
1,551,207	A *	8/1925	Nial et al.	473/400
1,573,911	A	2/1926	Budrow	
1,670,123	A	5/1928	Ranseen	
1,783,733	A *	12/1930	Manassero	473/396
D181,633	S	12/1957	de la Fariest	
3,606,344	A	9/1971	Ball	
D266,860	S *	11/1982	Nelson	D21/717
4,516,773	A *	5/1985	Martin	473/391
5,505,444	A	4/1996	Bouclin, Jr.	
D369,845	S	5/1996	Knez	
5,759,118	A	6/1998	Sroczynski	
5,913,737	A	6/1999	Park	
6,053,822	A	4/2000	Kolodney et al.	

6,186,907	B1 *	2/2001	Woodward	473/400
D482,086	S	11/2003	Metz	
D491,619	S	6/2004	Crouse	
D492,743	S *	7/2004	Boyarko	D21/717
D517,622	S *	3/2006	Barouh	D21/718
D538,874	S	3/2007	Ceruti	
D555,218	S	11/2007	Lee et al.	
7,468,008	B2	12/2008	Shin	
7,488,263	B2 *	2/2009	Lee	473/394
7,604,554	B2 *	10/2009	Otsubo	473/387
7,704,166	B2	4/2010	Lim	
D657,431	S *	4/2012	Chilton	D21/717
2004/0067802	A1	4/2004	Salsman	
2005/0070378	A1	3/2005	Parks et al.	

* cited by examiner

Primary Examiner — Catherine Tuttle

(74) *Attorney, Agent, or Firm* — IP Works, PLLC

(57) **CLAIM**

The ornamental design for a golf ball stabilizer, as shown and described.

DESCRIPTION

FIG. 1 is a top front perspective view of a golf ball stabilizer according to my new design with a golf tee shown in phantom lines to show placement;

FIG. 2 is a top plan view thereof;

FIG. 3 is a bottom plan view thereof;

FIG. 4 is a left side elevation view thereof; and,

FIG. 5 is a right side elevation view thereof rotated 150° from FIG. 4.

The broken lines showing the golf tee in FIG. 1 are for illustrative purposes only; and form no part of the claimed design.

1 Claim, 1 Drawing Sheet

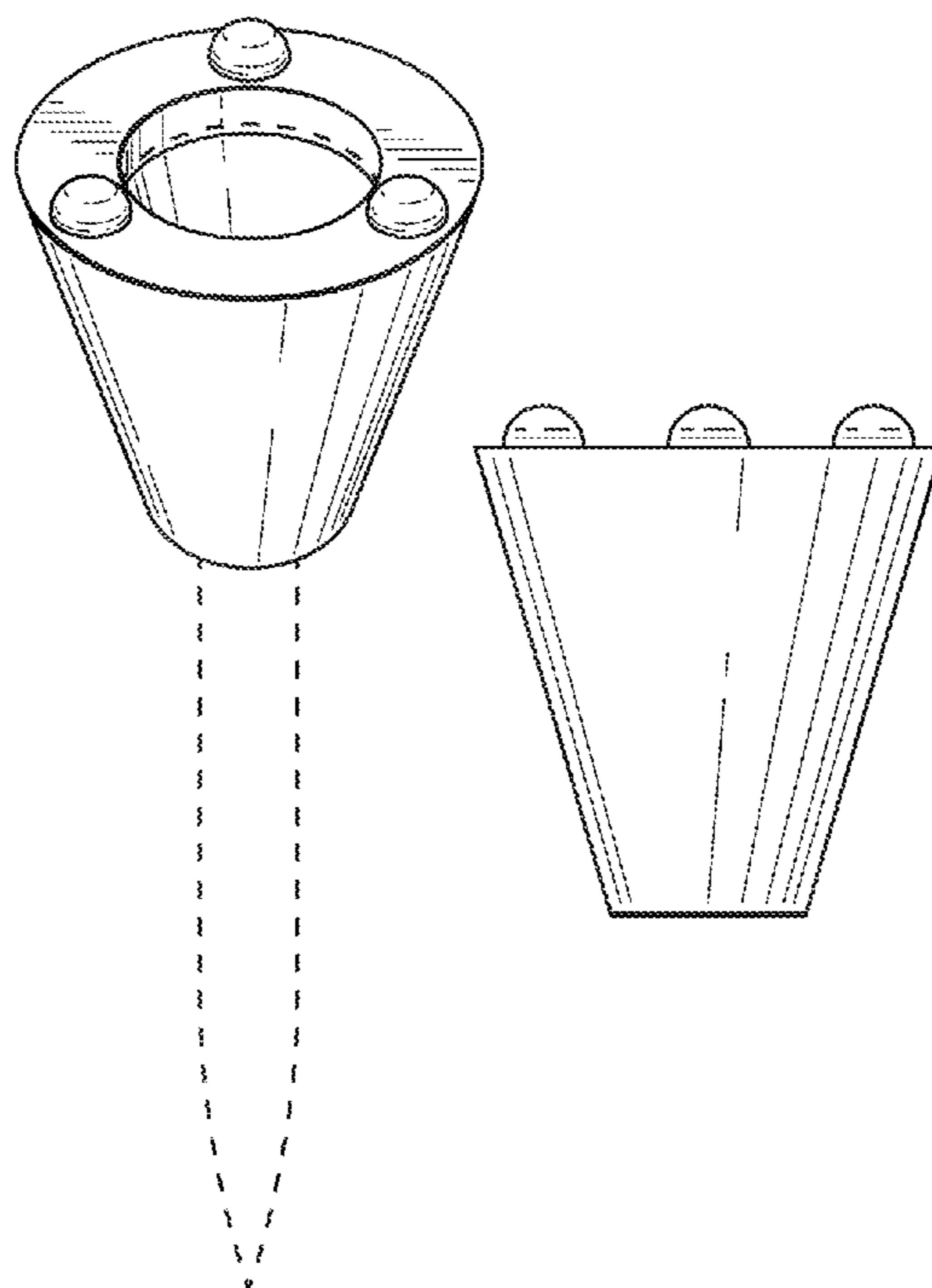


FIG. 1

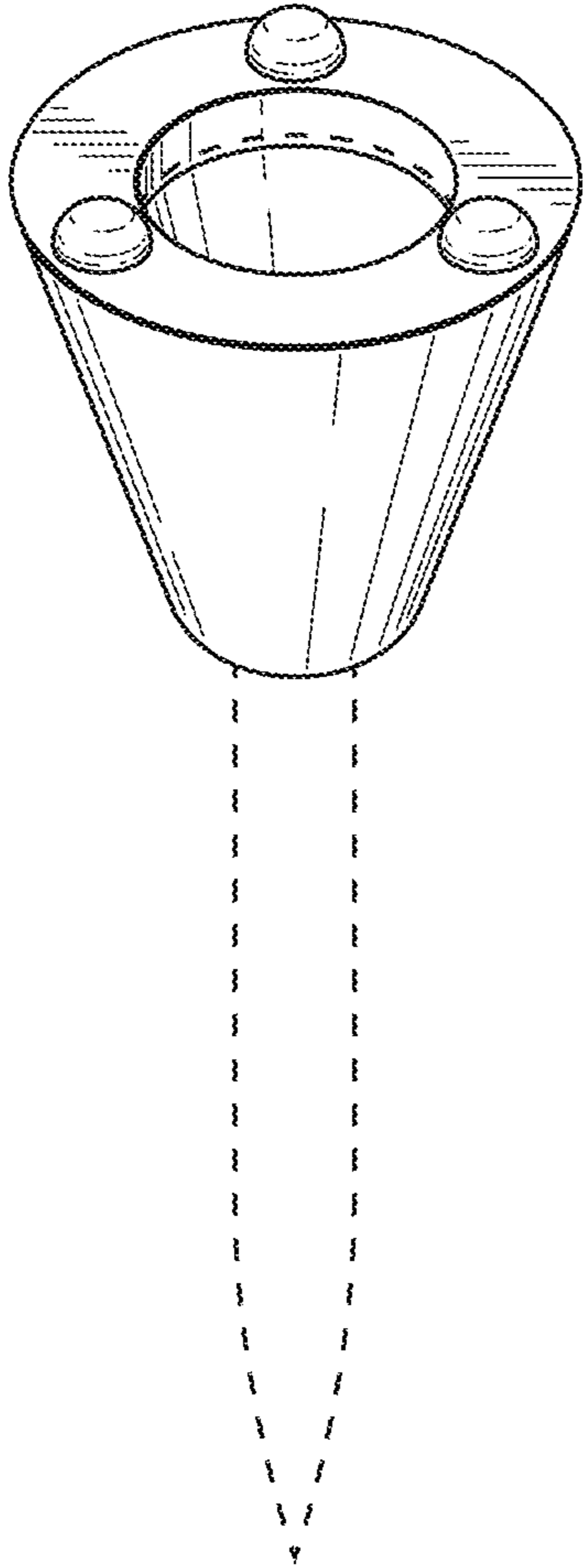


FIG. 2

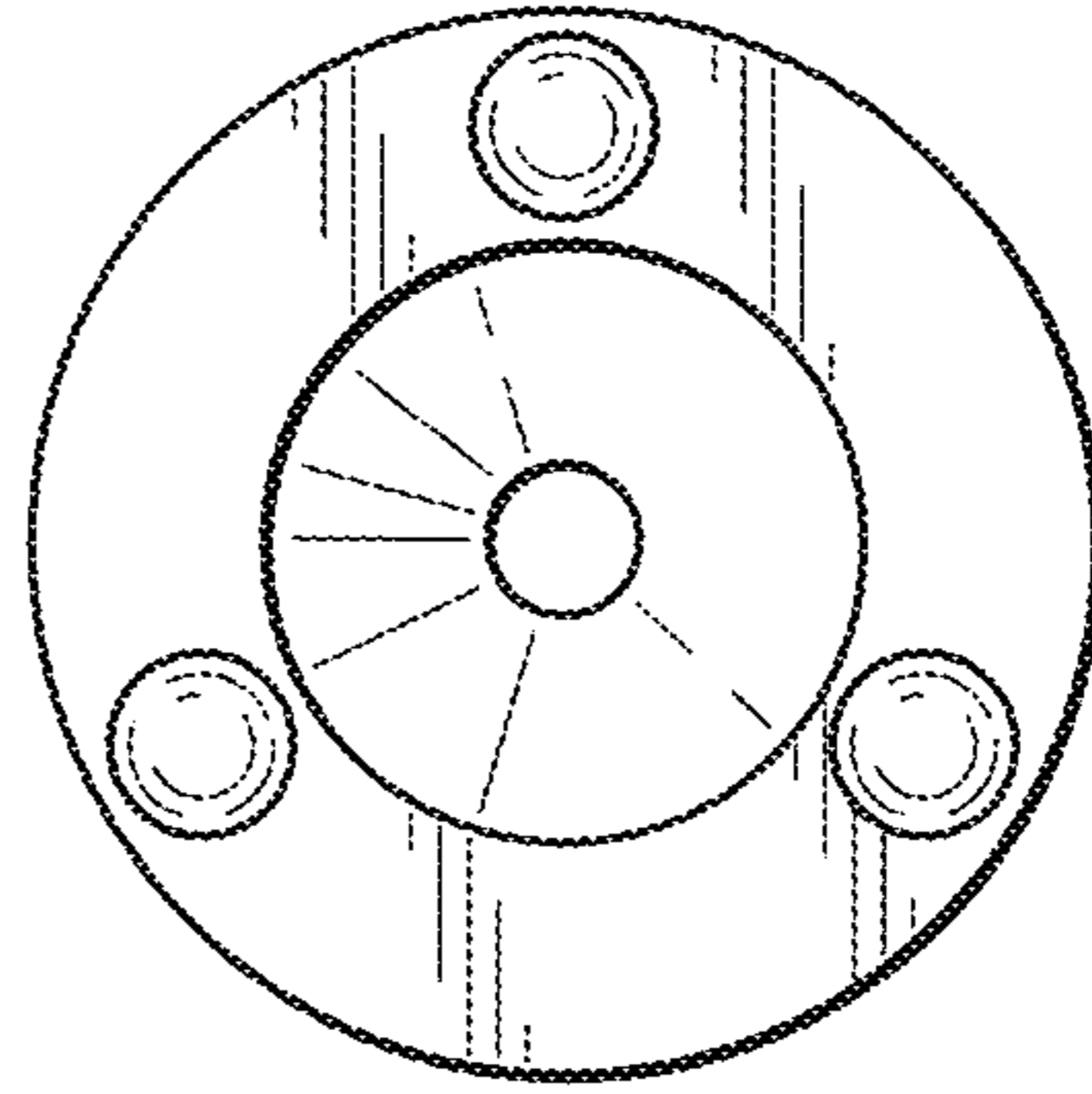


FIG. 3

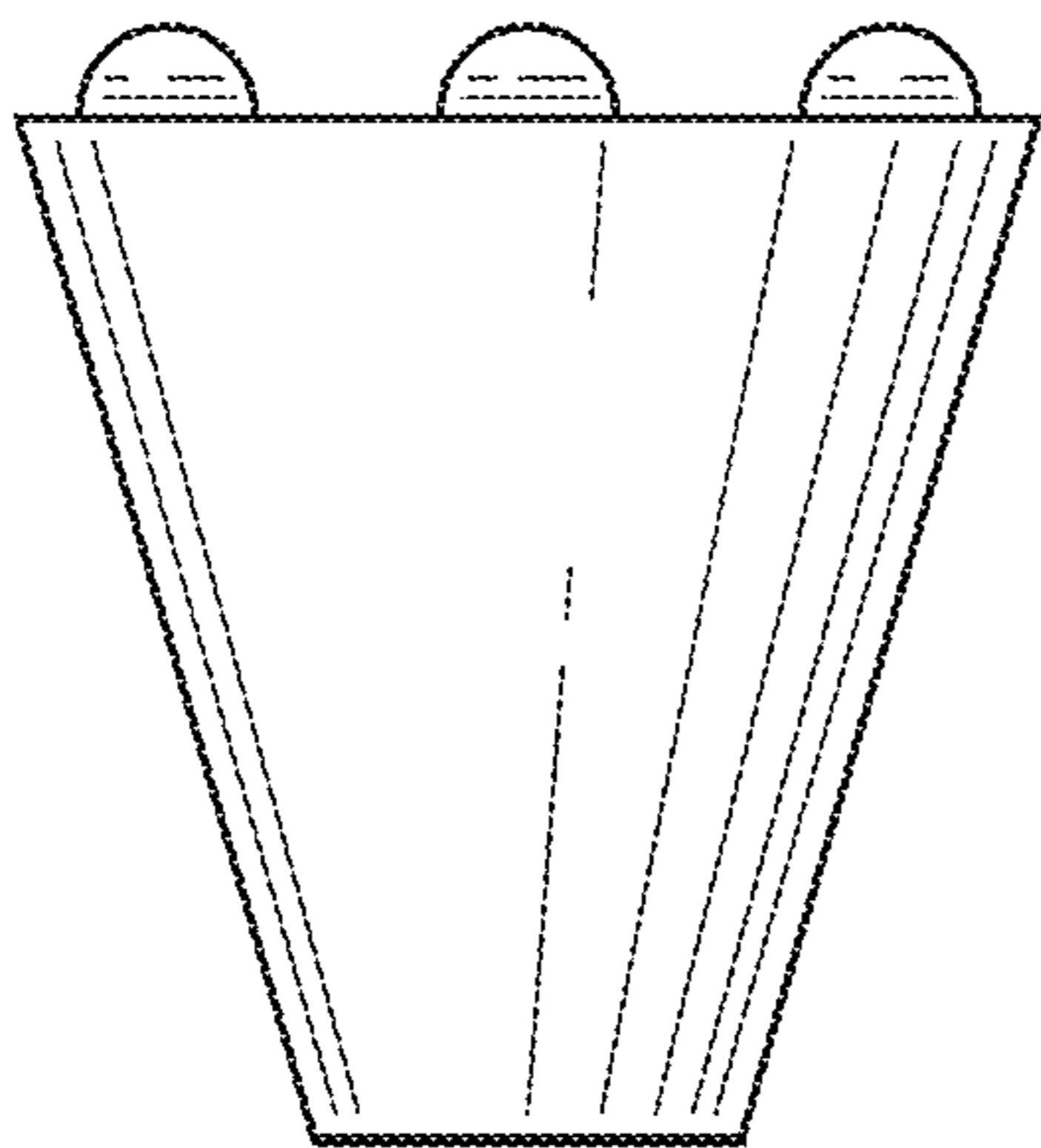
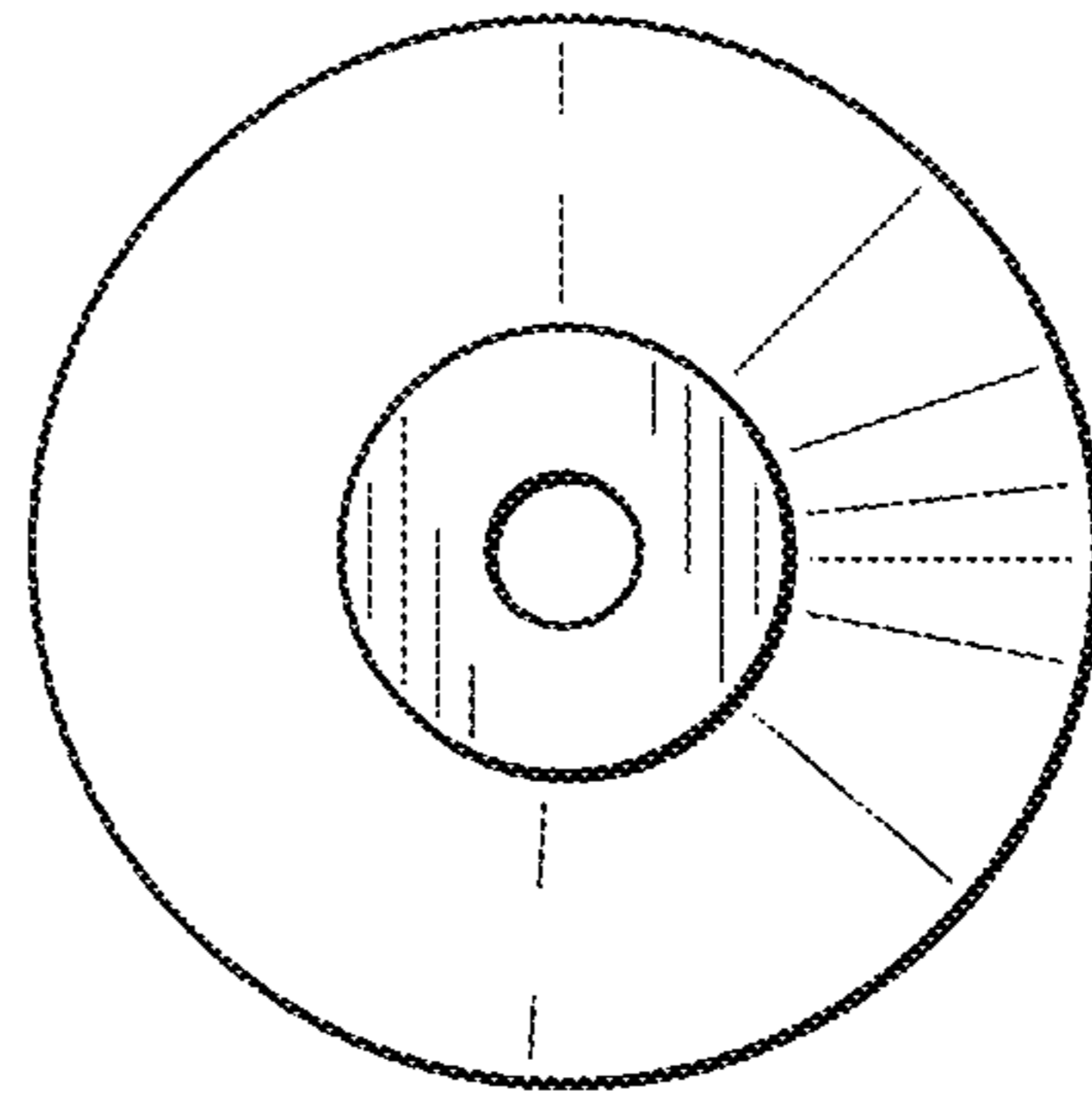


FIG. 4

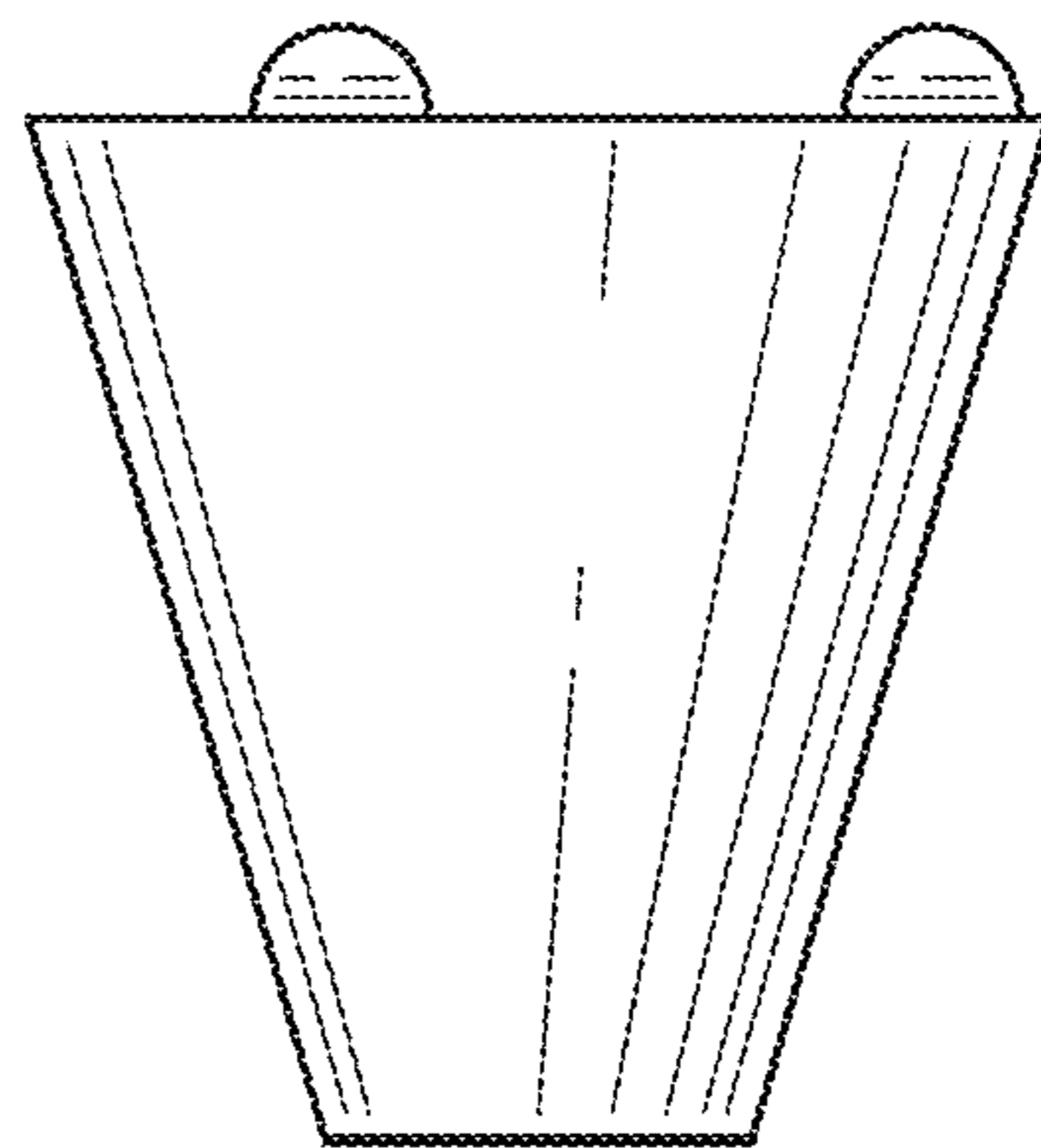


FIG. 5