



US00D695859S

(12) **United States Design Patent**  
**Holland et al.**

(10) **Patent No.:** **US D695,859 S**

(45) **Date of Patent:** **\*\* Dec. 17, 2013**

(54) **BASKETBALL GOAL**

(71) Applicant: **Pro Performance Sports, L.L.C.**,  
Carlsbad, CA (US)

(72) Inventors: **Allen Holland**, Sheffield (GB); **Thomas A. Quinn**, Carlsbad, CA (US); **Timothy S. Clark**, San Diego, CA (US); **Eric Lucatero**, Temecula, CA (US); **Brant Michael Taylor**, Encinitas, CA (US)

(73) Assignee: **Pro Performance Sports, L.L.C.**,  
Carlsbad, CA (US)

(\*\*) Term: **14 Years**

(21) Appl. No.: **29/433,757**

(22) Filed: **Oct. 4, 2012**

(51) **LOC (9) Cl.** ..... **21-02**

(52) **U.S. Cl.**  
USPC ..... **D21/701**; D21/703

(58) **Field of Classification Search**  
USPC ..... D21/301–305, 698–705, 781; 473/433,  
473/447, 448, 449, 472, 476, 479–489;  
273/317, 317.3, 348, 398–410

See application file for complete search history.

(56) **References Cited**

**U.S. PATENT DOCUMENTS**

|              |    |   |         |                  |       |         |
|--------------|----|---|---------|------------------|-------|---------|
| 3,446,504    | A  | * | 5/1969  | Pascucci         | ..... | 473/449 |
| D216,722     | S  | * | 3/1970  | Minnette         | ..... | D21/702 |
| 3,603,588    | A  | * | 9/1971  | Ebstein          | ..... | 473/485 |
| 3,716,234    | A  | * | 2/1973  | Lancellotti      | ..... | 473/481 |
| D229,430     | S  | * | 11/1973 | Fortin           | ..... | D21/702 |
| D255,040     | S  | * | 5/1980  | Cochran et al.   | ..... | D21/702 |
| 4,424,968    | A  | * | 1/1984  | Smith            | ..... | 473/481 |
| 4,546,975    | A  | * | 10/1985 | Nims             | ..... | 473/447 |
| 4,826,162    | A  | * | 5/1989  | Allen            | ..... | 473/481 |
| D321,392     | S  | * | 11/1991 | Chen             | ..... | D21/702 |
| 5,098,092    | A  | * | 3/1992  | Aakre et al.     | ..... | 473/483 |
| D399,895     | S  | * | 10/1998 | Schickert et al. | ..... | D21/703 |
| 5,816,948    | A  | * | 10/1998 | Davies et al.    | ..... | 473/485 |
| 7,510,492    | B2 | * | 3/2009  | Hudson           | ..... | 473/433 |
| 2004/0038760 | A1 | * | 2/2004  | Diaz et al.      | ..... | 473/485 |

**FOREIGN PATENT DOCUMENTS**

|    |                |   |        |
|----|----------------|---|--------|
| CN | 000092028-0001 | * | 2/2004 |
| CN | 300739456      | * | 1/2008 |
| CN | 301582036      | * | 6/2011 |
| DE | M9407619-0001  | * | 4/1995 |
| GB | 2029745        | * | 4/1994 |

**OTHER PUBLICATIONS**

GLS Greg Larson Sports 2002 Full Line Catalog: 1) p. 76: Bent Post Basketball Backstop on lower left, 2) p. 77: Wall Mounted Basketball Backstop on lower right. 3) p. 78: Pole Mount Adjustable Height Backboard System on lower right, 4) p. 79: Little Champ goal on upper right.\*

Sportime® Fall 2003 Catalog: 1) p. 189—item D, 2) p. 196—all basketball goals shown.\*

\* cited by examiner

*Primary Examiner* — Catherine Tuttle

(74) *Attorney, Agent, or Firm* — Kenneth H. Ohriner; Perkins Coie LLP

(57) **CLAIM**

The ornamental design for a basketball goal, substantially as shown and described.

**DESCRIPTION**

FIG. 1 is a perspective view showing of our new design for a basketball goal in a first embodiment having a double rim;

FIG. 2 is a front view of FIG. 1;

FIG. 3 is a rear view of FIG. 1;

FIG. 4 is a left side view of FIG. 1;

FIG. 5 is a right side view of FIG. 1;

FIG. 6 is a top view of FIG. 1;

FIG. 7 is a bottom view of FIG. 1;

FIG. 8 is a perspective view showing the first embodiment of our design in association with a single-spring bracket assembly;

FIG. 9 is front view of FIG. 8

FIG. 10 is a rear view of FIG. 8;

FIG. 11 is a left side view of FIG. 8

FIG. 12 is a right side view of FIG. 8;

FIG. 13 is a top view of FIG. 8;

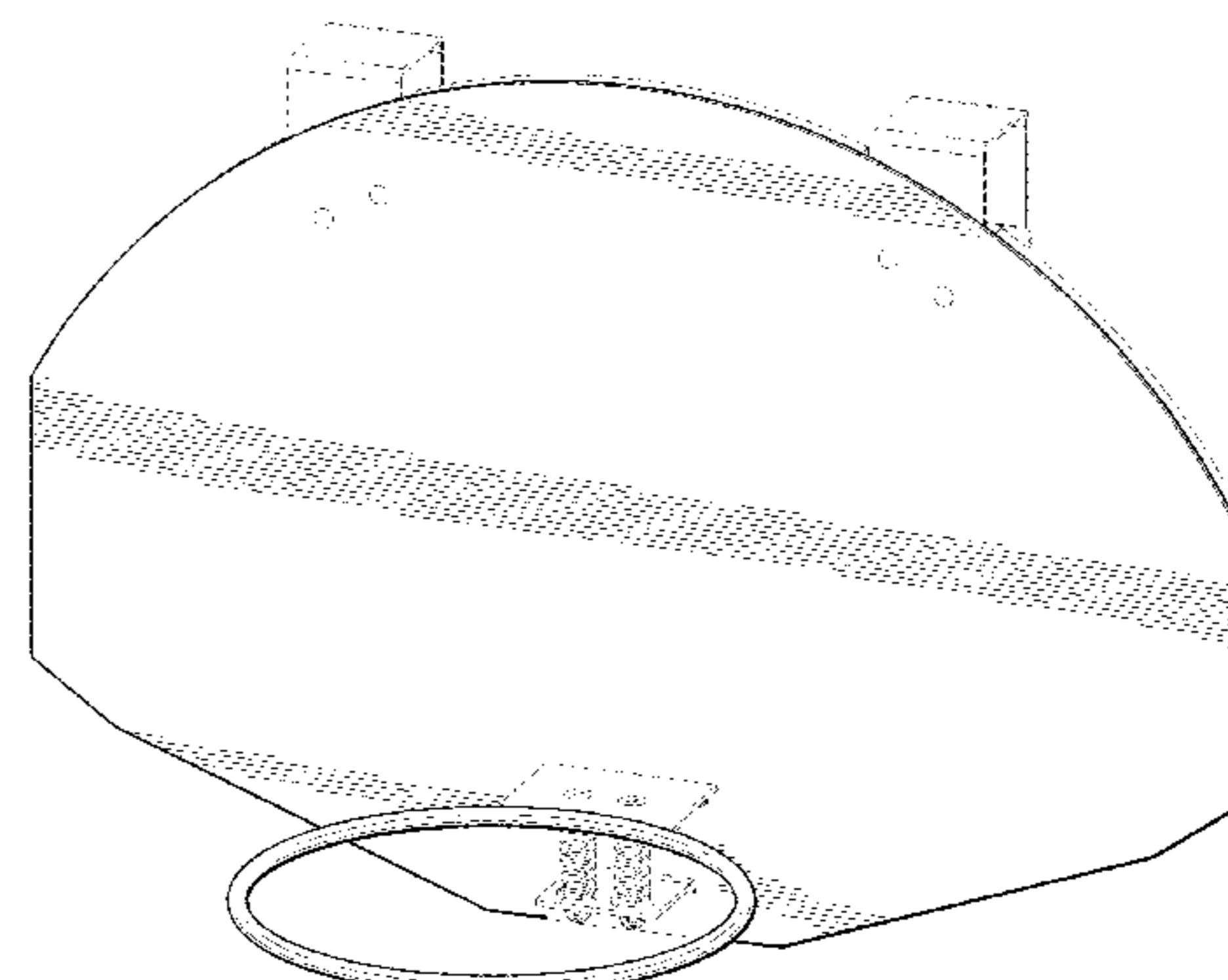
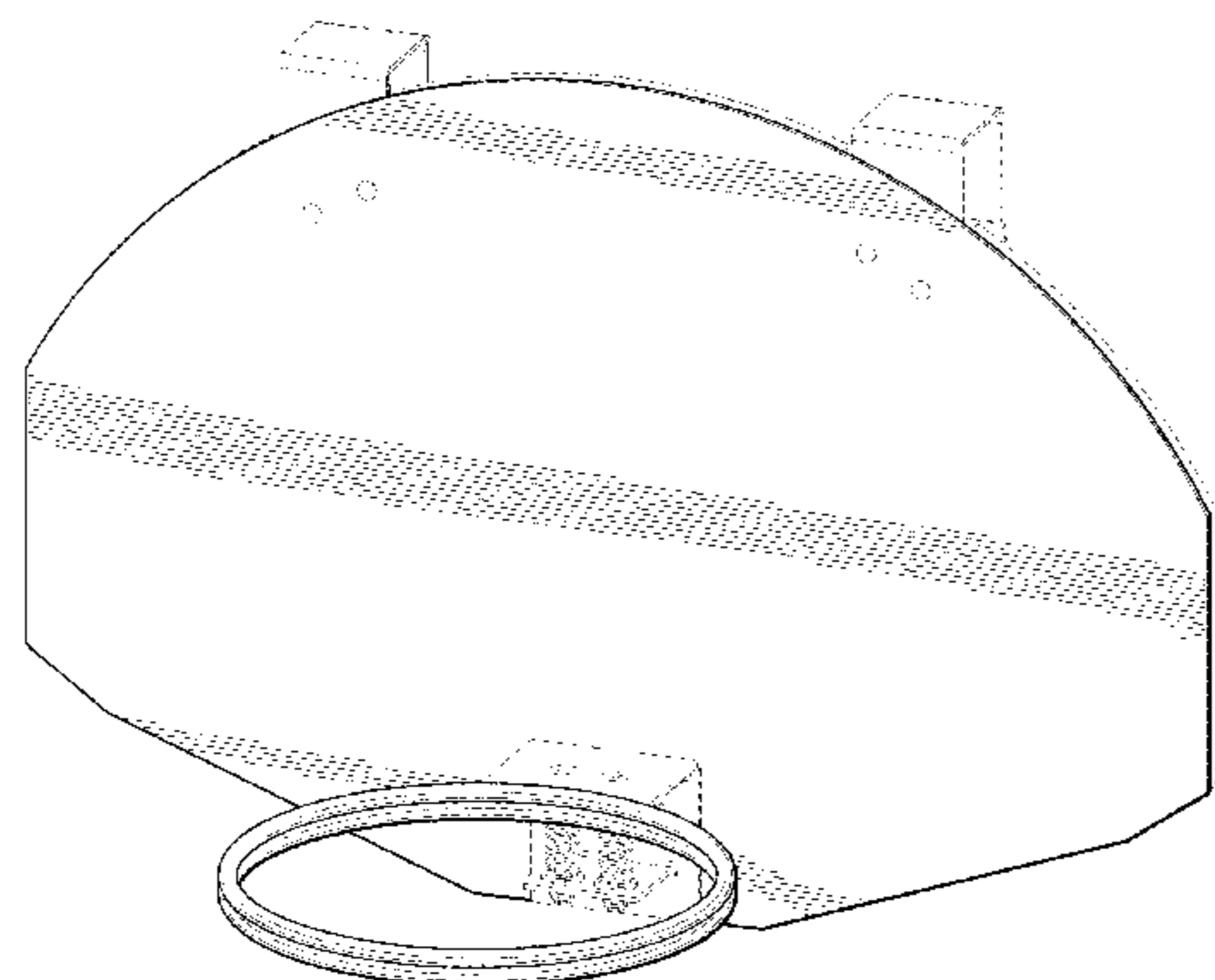


FIG. 14 is a bottom view of FIG. 8;  
FIG. 15 is a perspective view showing our new design for a basketball goal in a second embodiment that differs from the first embodiment in having a single rim;  
FIG. 16 is a front view of FIG. 15;  
FIG. 17 is a rear view of FIG. 15;  
FIG. 18 is a left side view of FIG. 15;  
FIG. 19 is a right side view of FIG. 15;  
FIG. 20 is a top view of FIG. 15;  
FIG. 21 is a bottom view of FIG. 15;  
FIG. 22 is a perspective view showing the second embodiment of our design in association with a single-spring bracket assembly;

FIG. 23 is front view of FIG. 22  
FIG. 24 is a rear view of FIG. 22;  
FIG. 25 is a left side view of FIG. 22  
FIG. 26 is a right side view of FIG. 22;  
FIG. 27 is a top view of FIG. 22; and,  
FIG. 28 is a bottom view of FIG. 22.  
The broken lines are included for the purpose of illustrating the unclaimed elements of the basketball goal, namely, the brackets, springs, spring bolts, bolt nuts and portions of the rear surface.

**1 Claim, 24 Drawing Sheets**

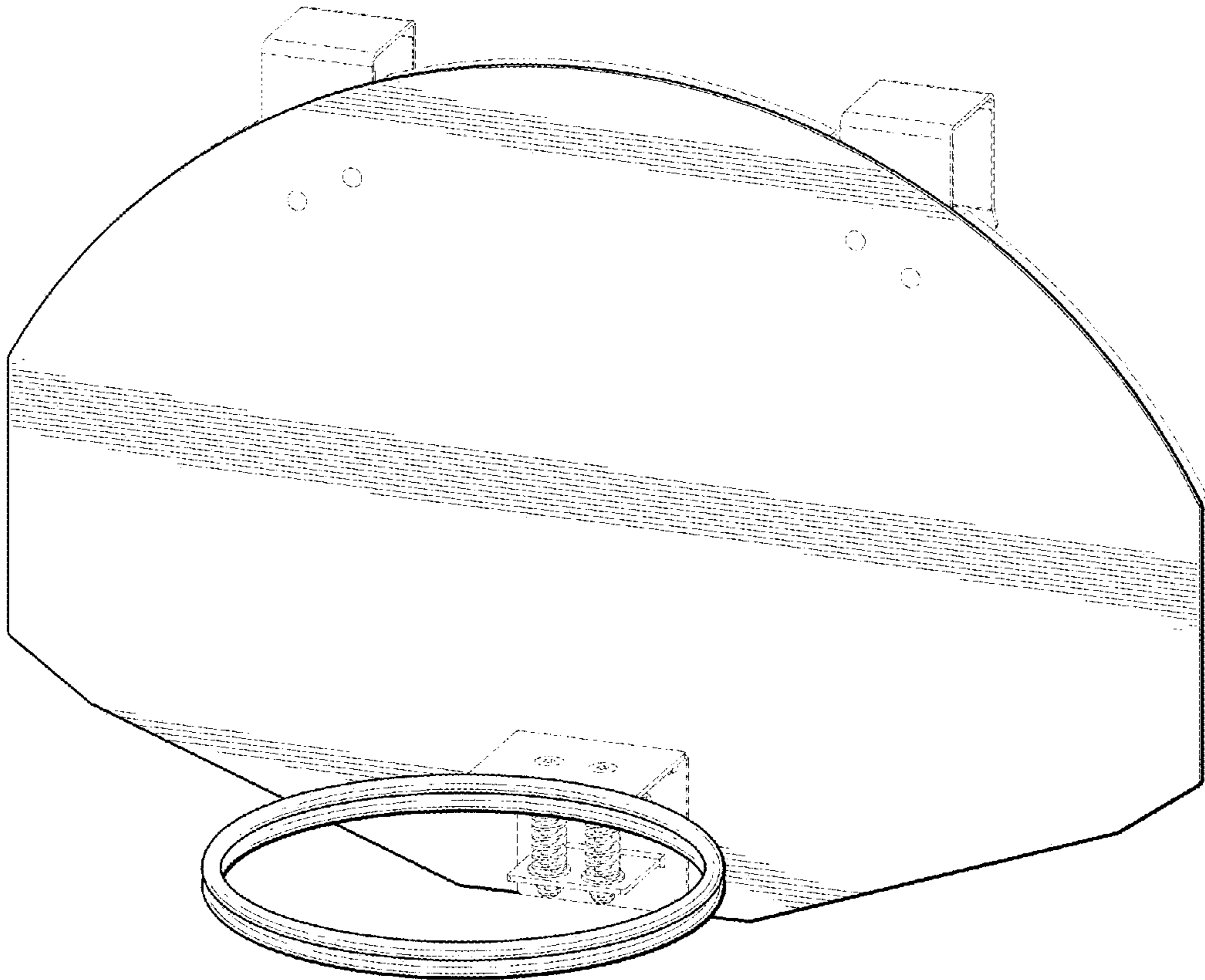


FIG. 1

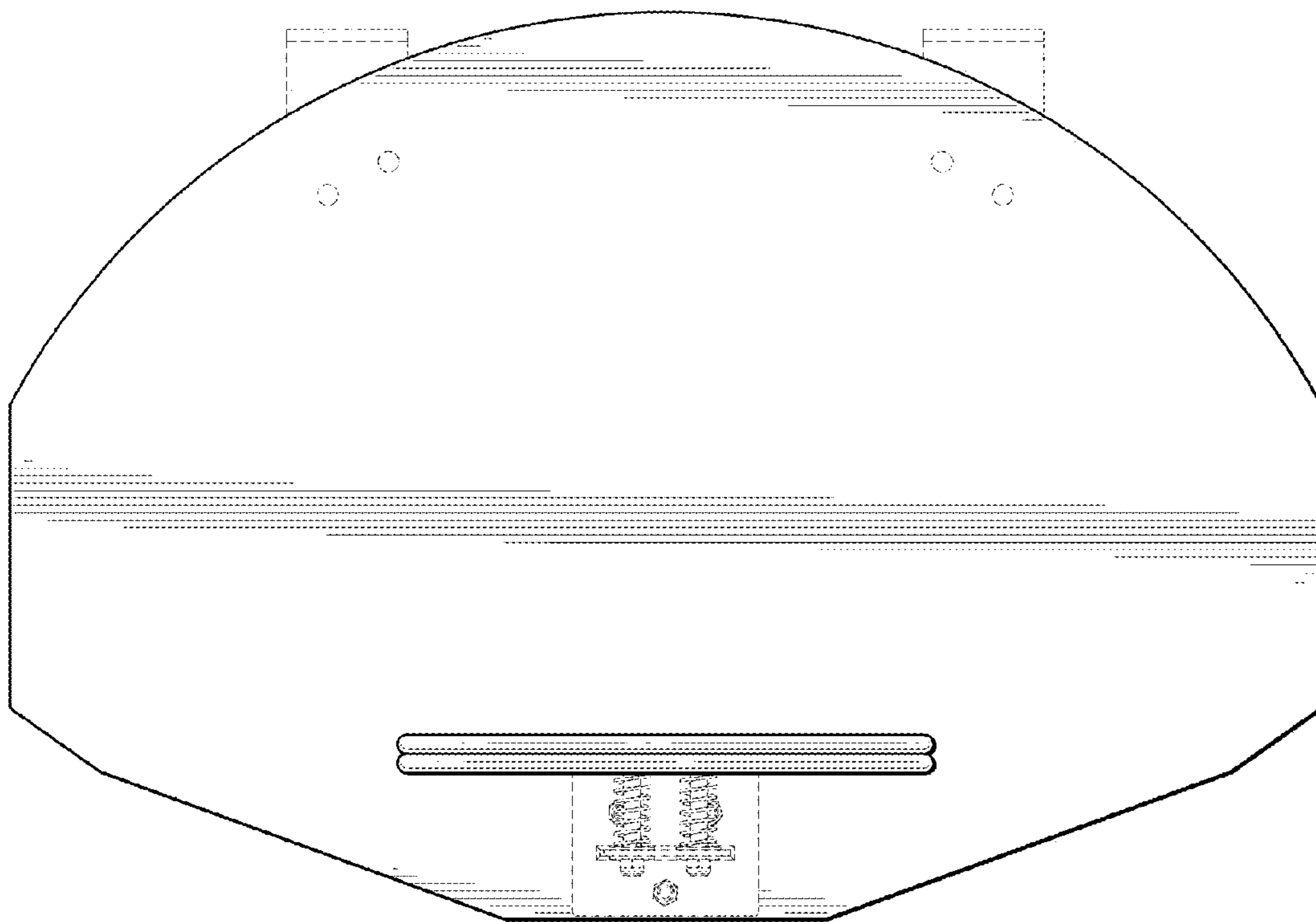


FIG. 2

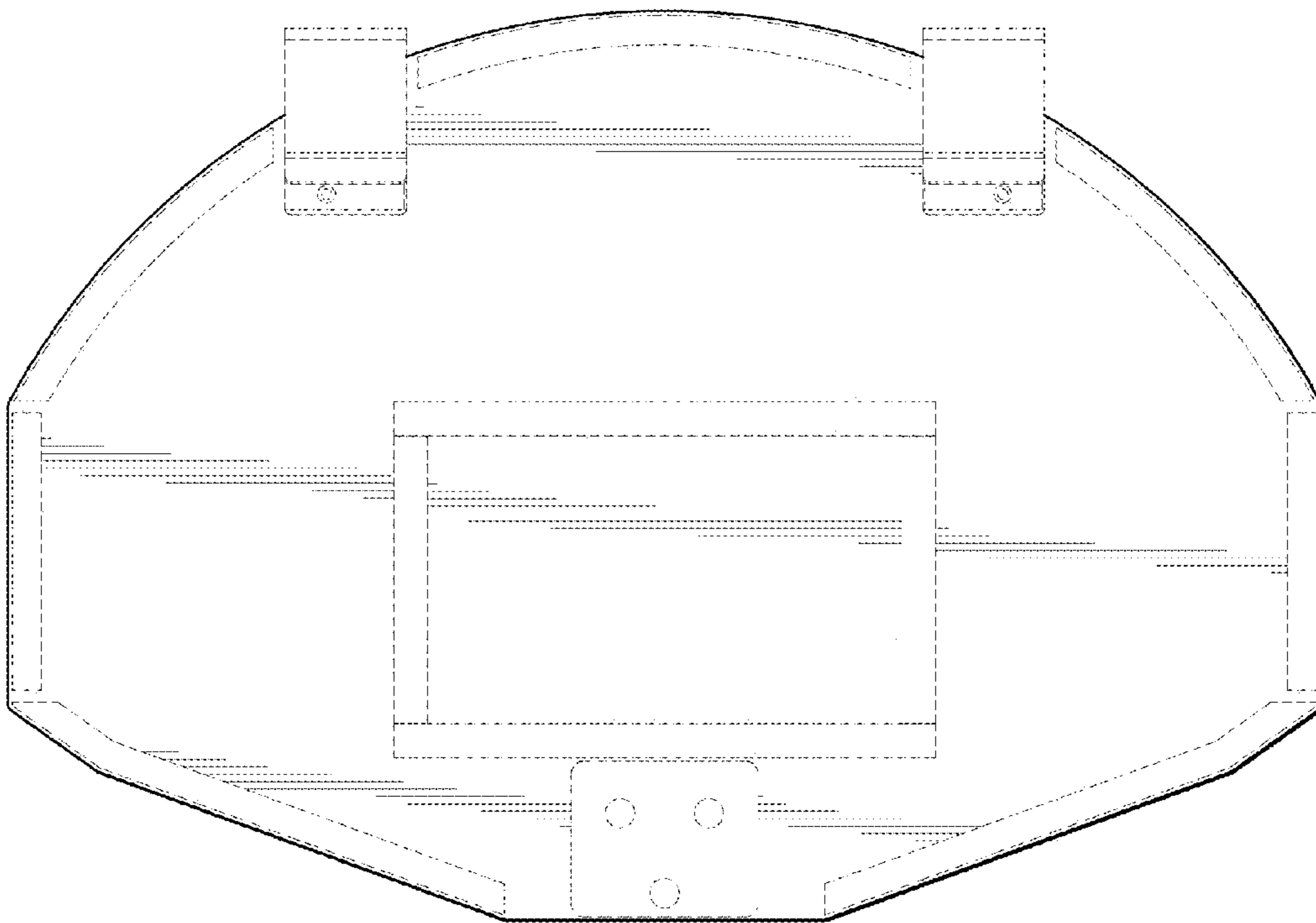


FIG. 3

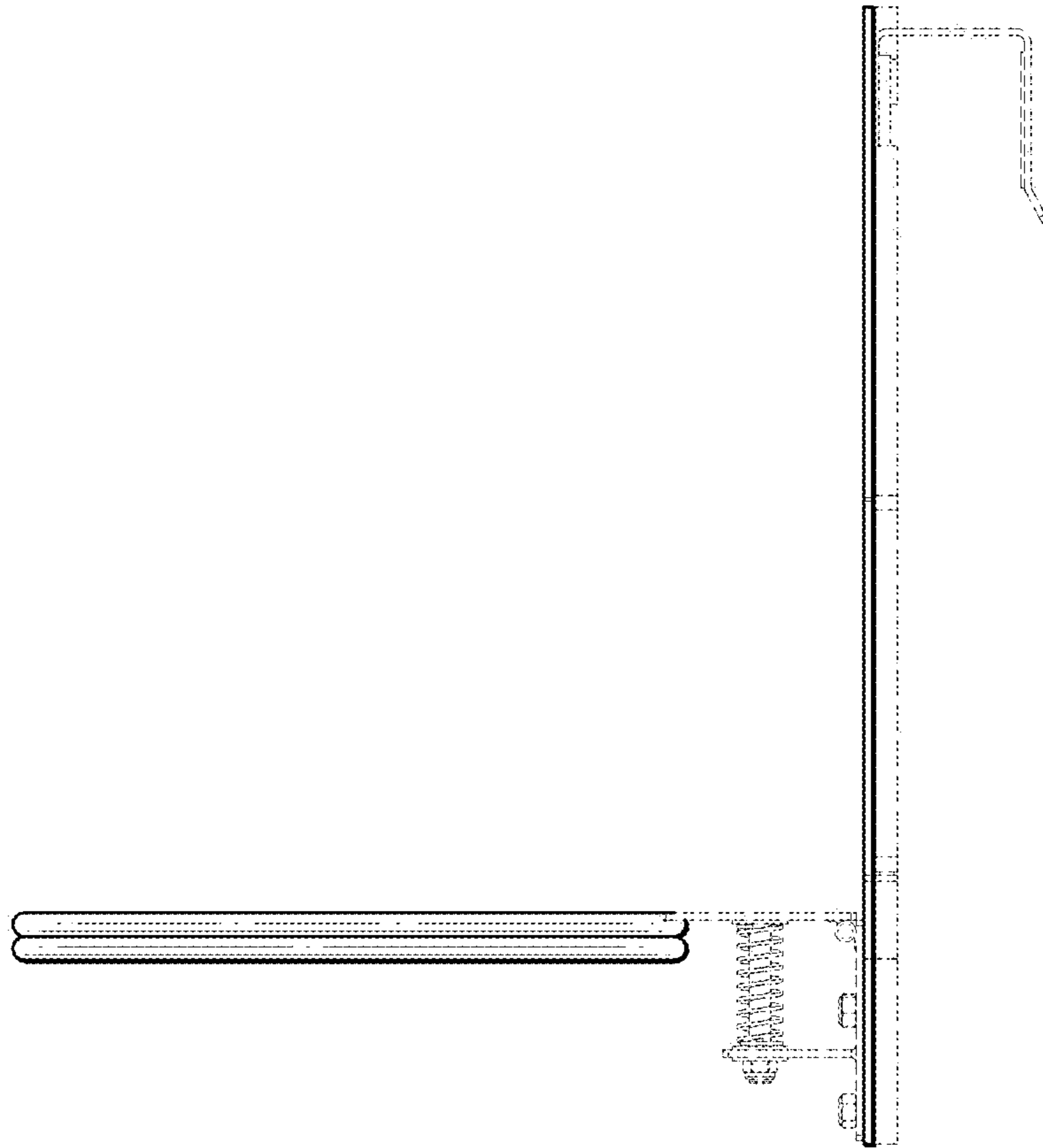
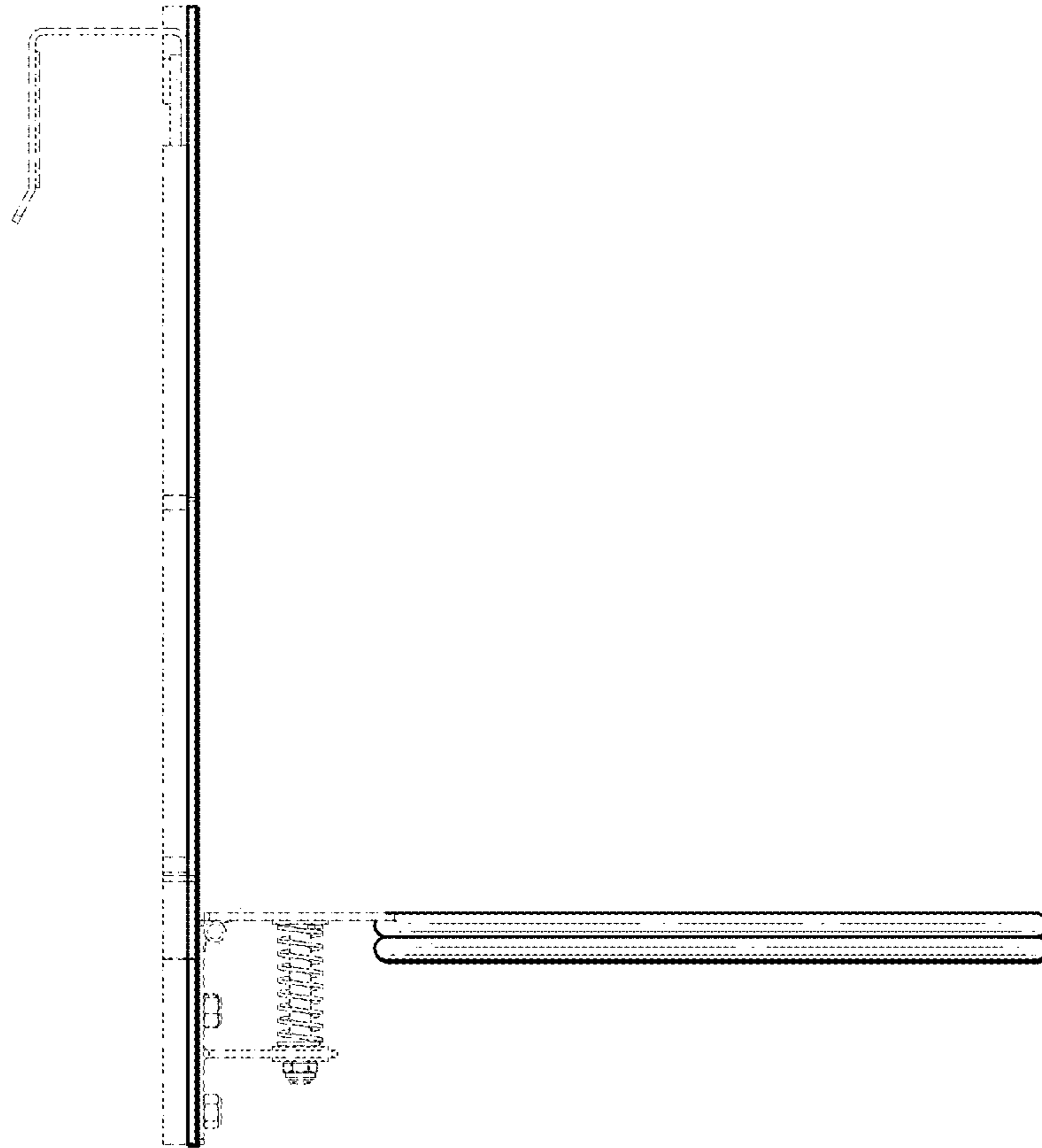


FIG. 4



*FIG. 5*

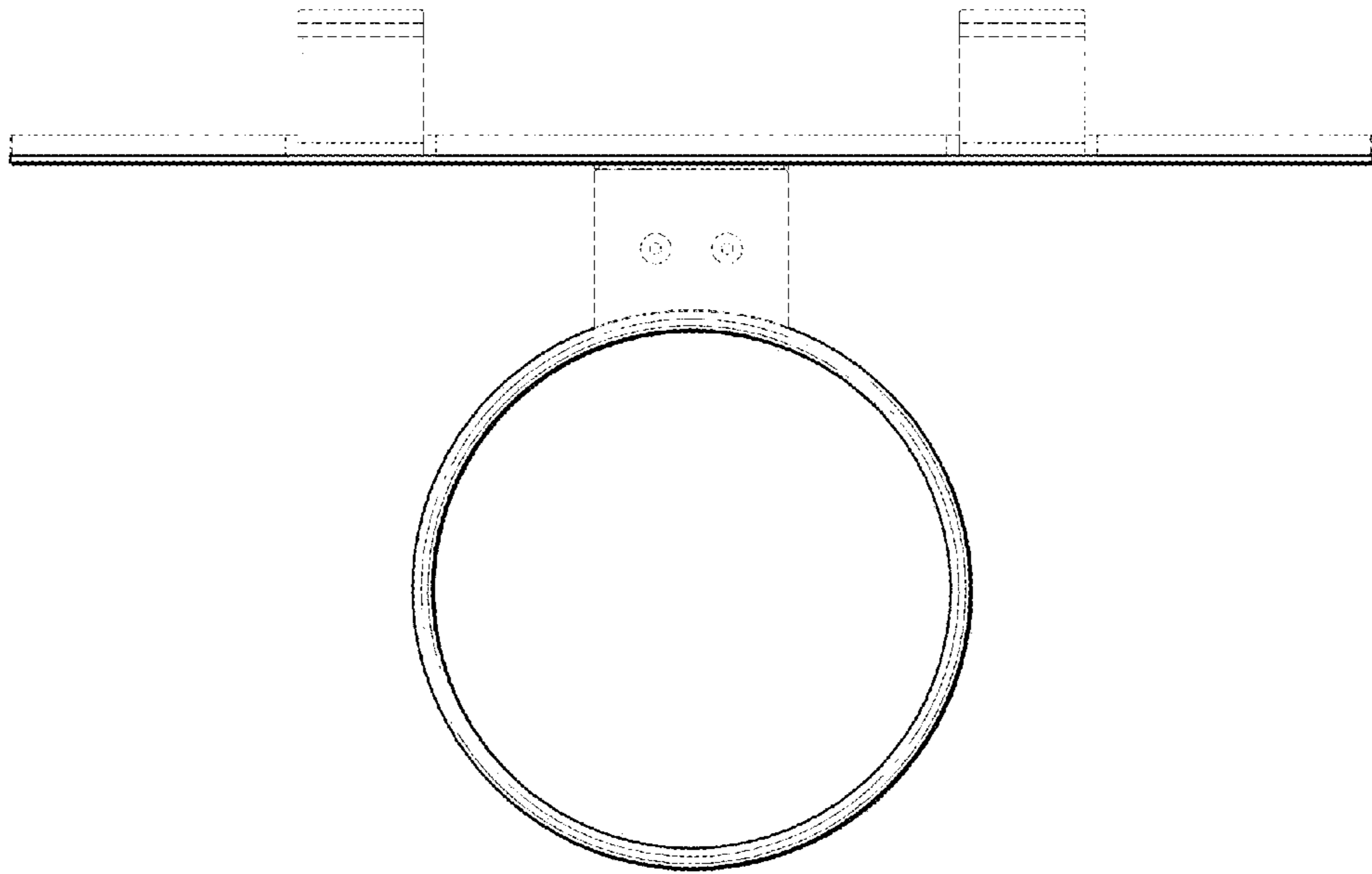


FIG. 6

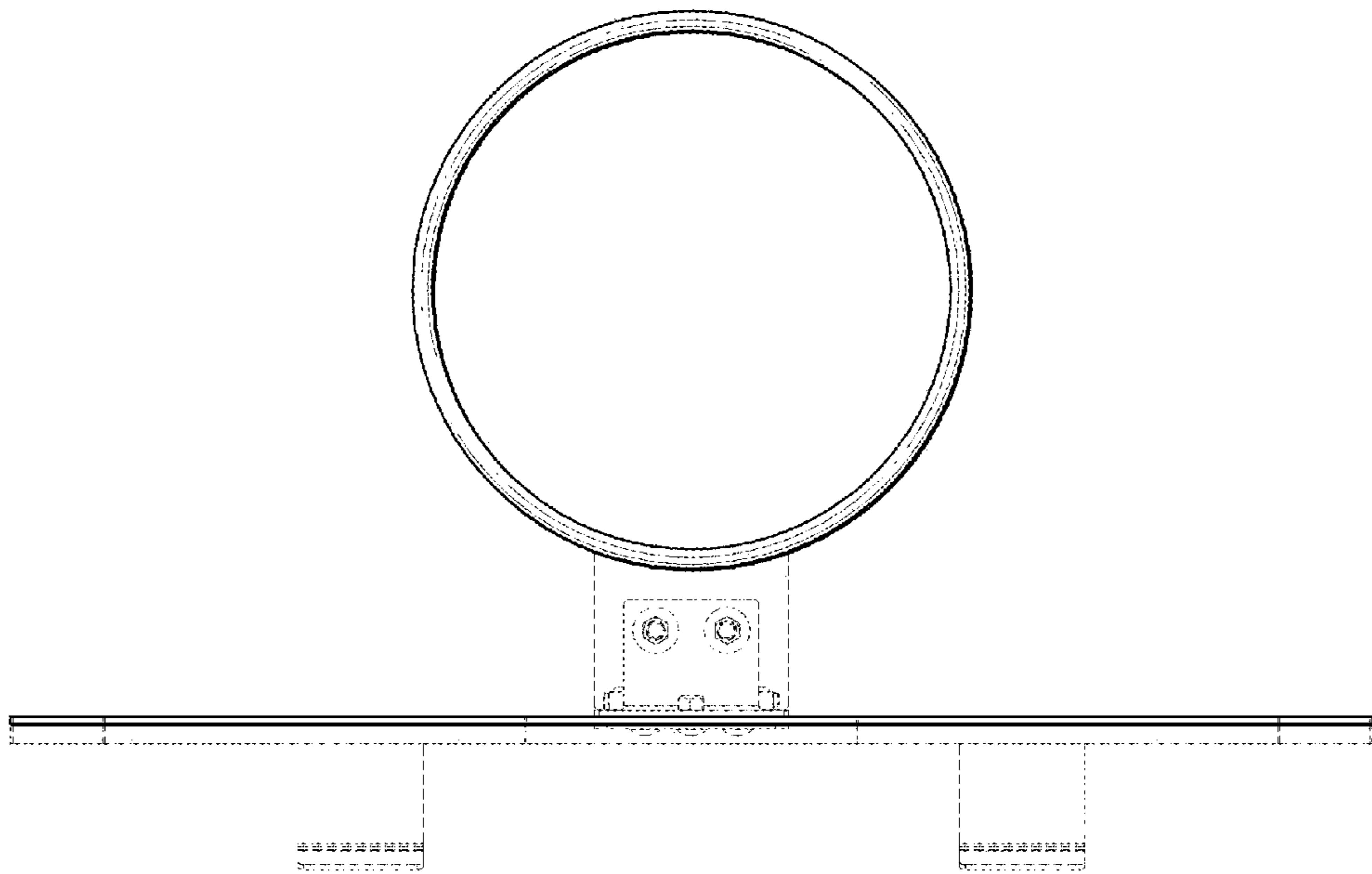


FIG. 7



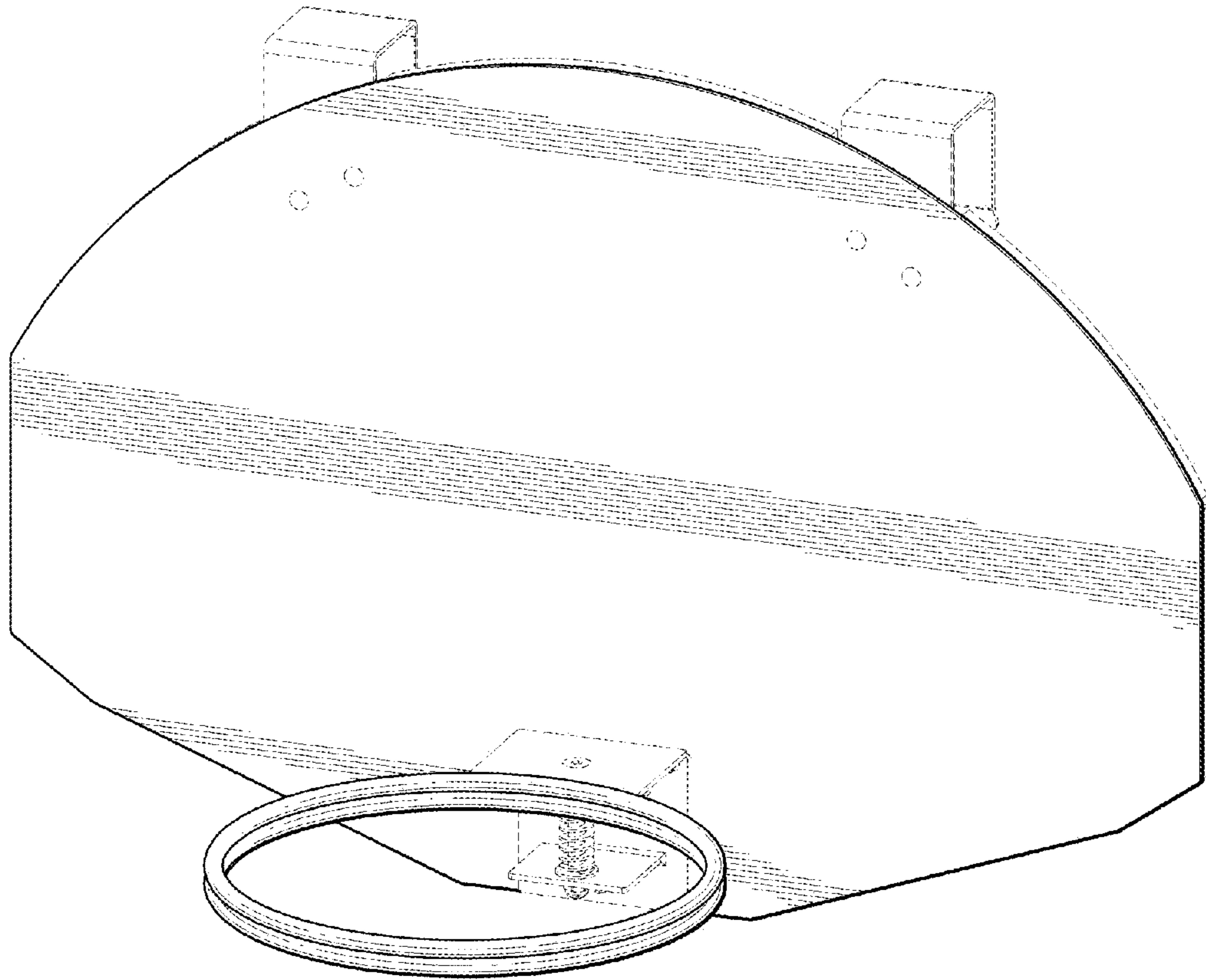


FIG. 8

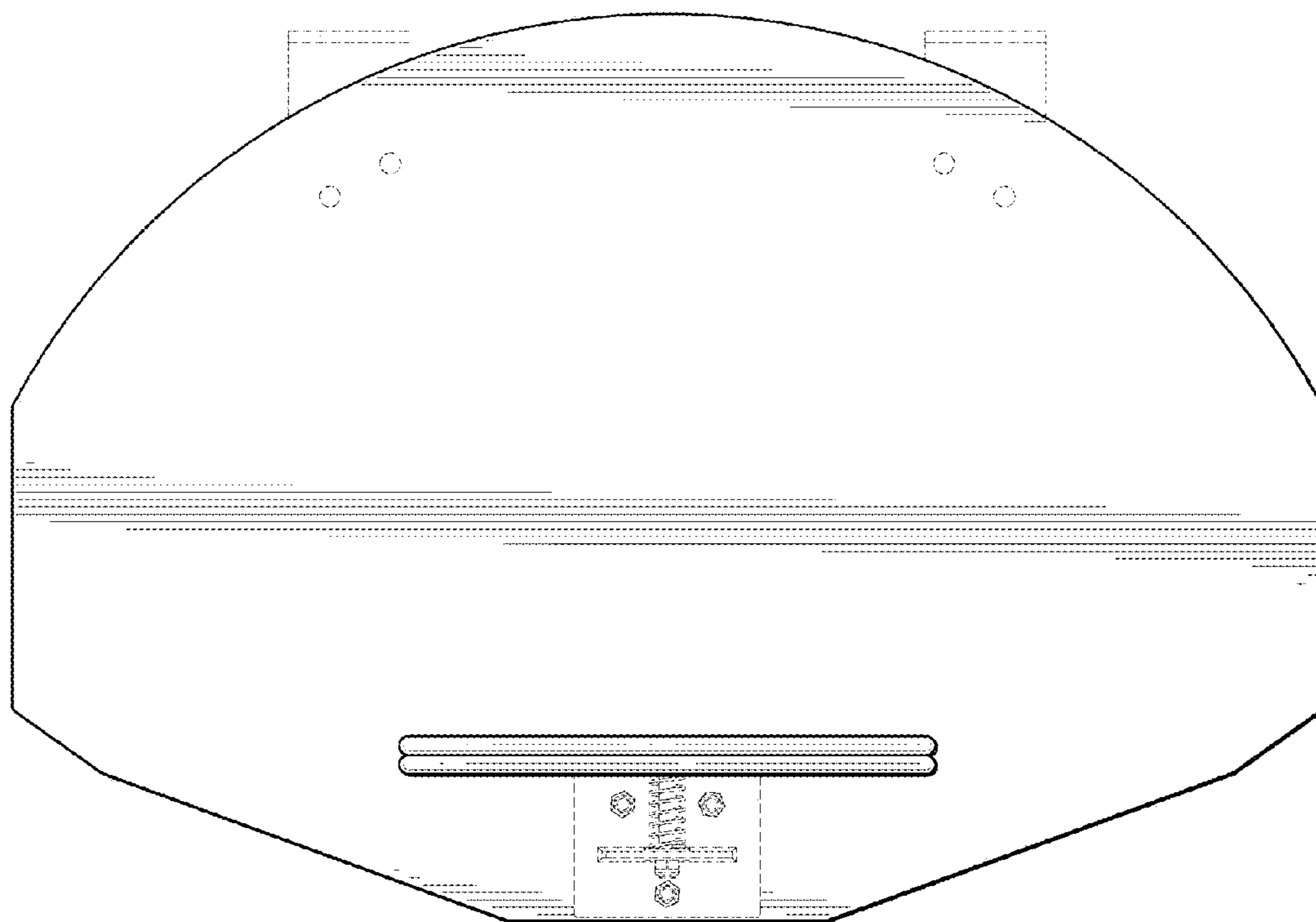
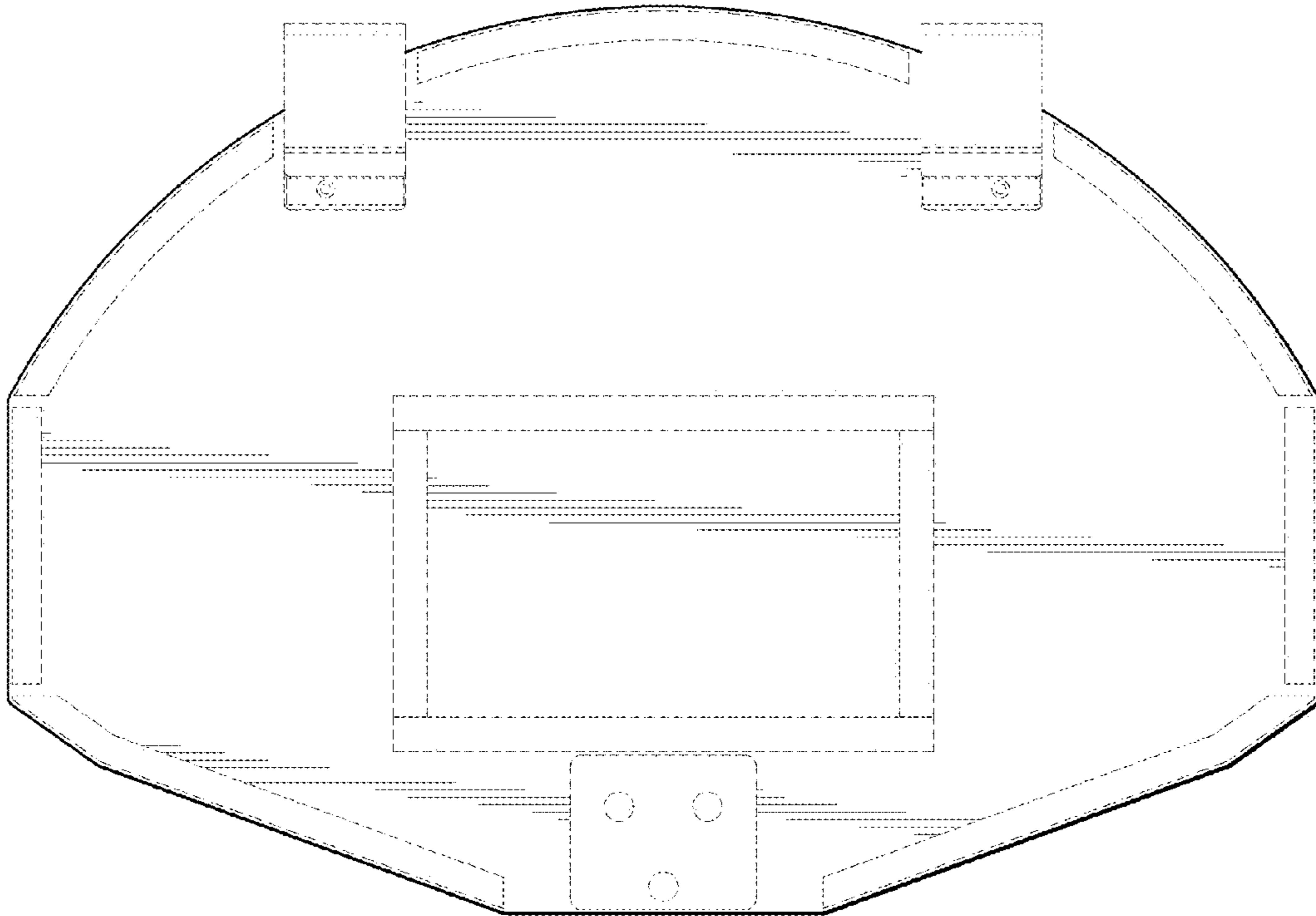
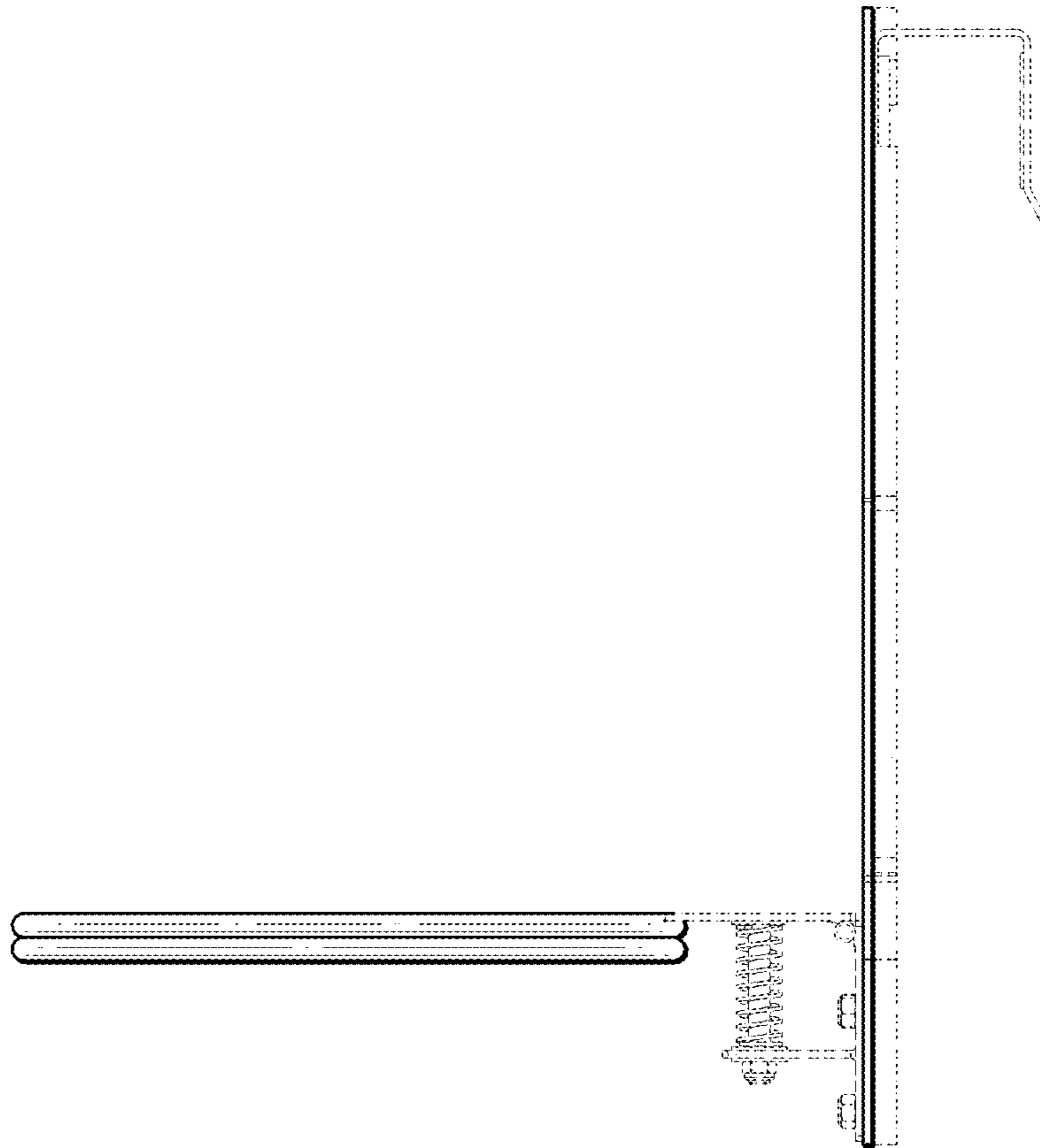


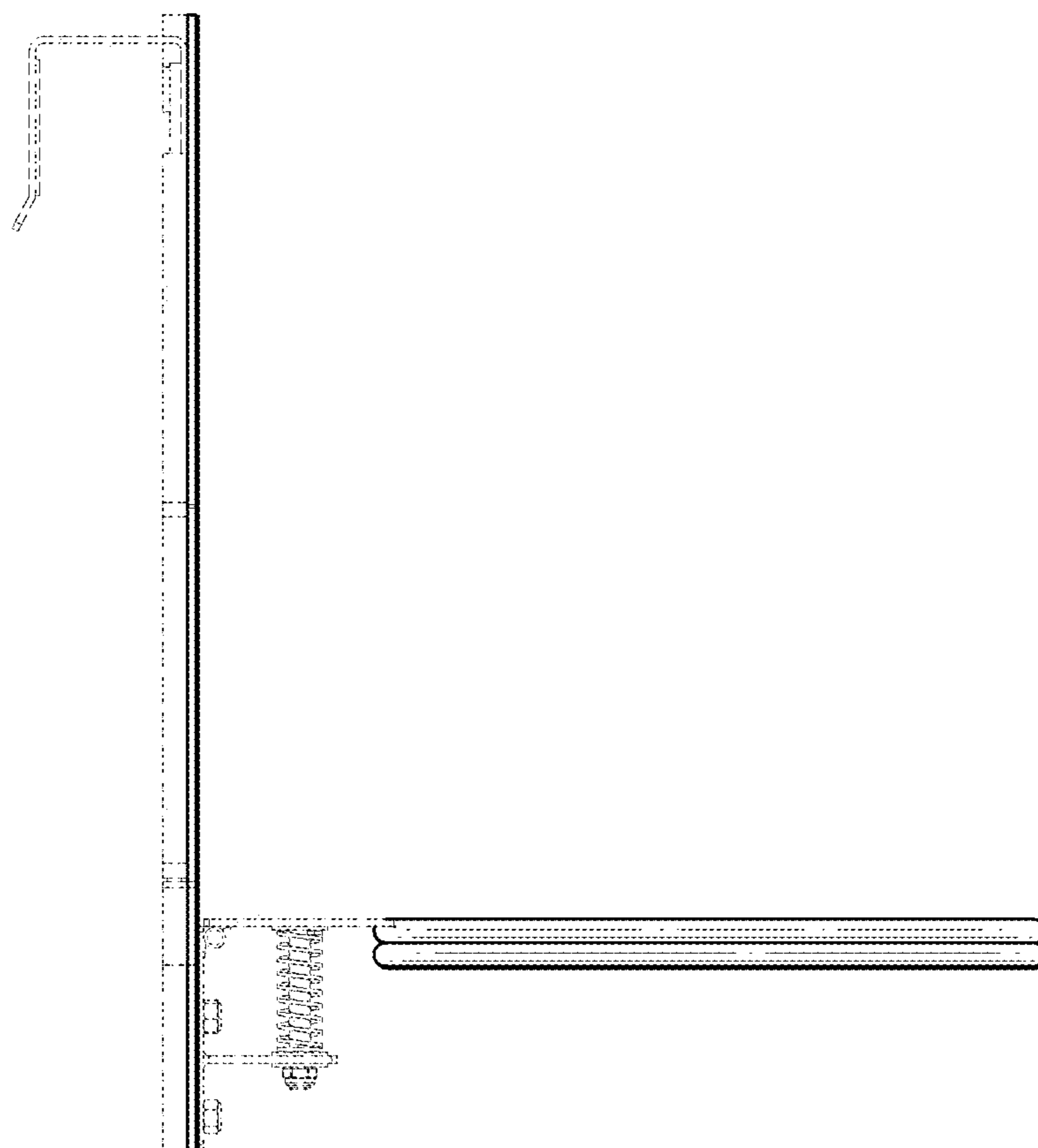
FIG. 9



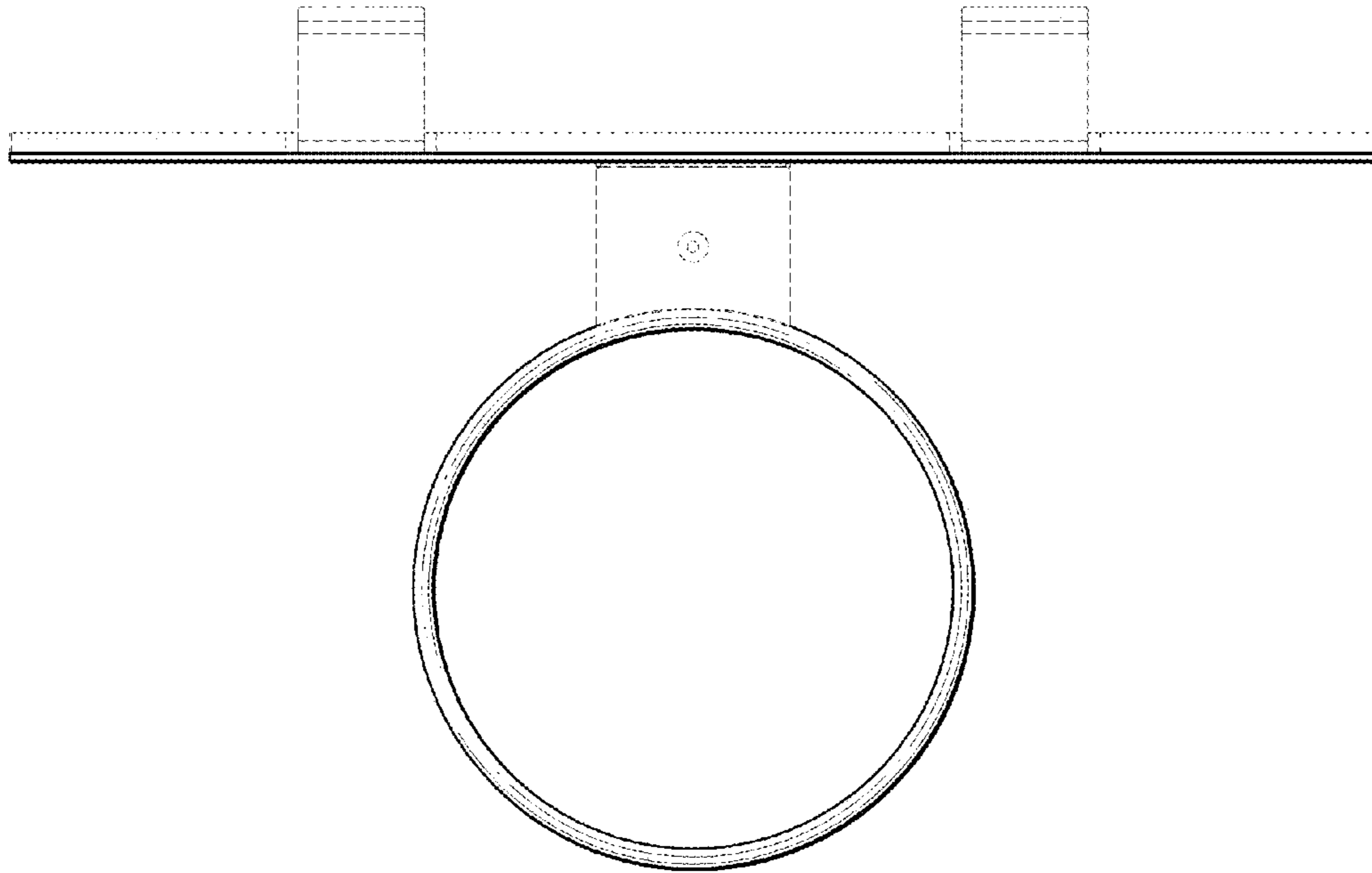
*FIG. 10*



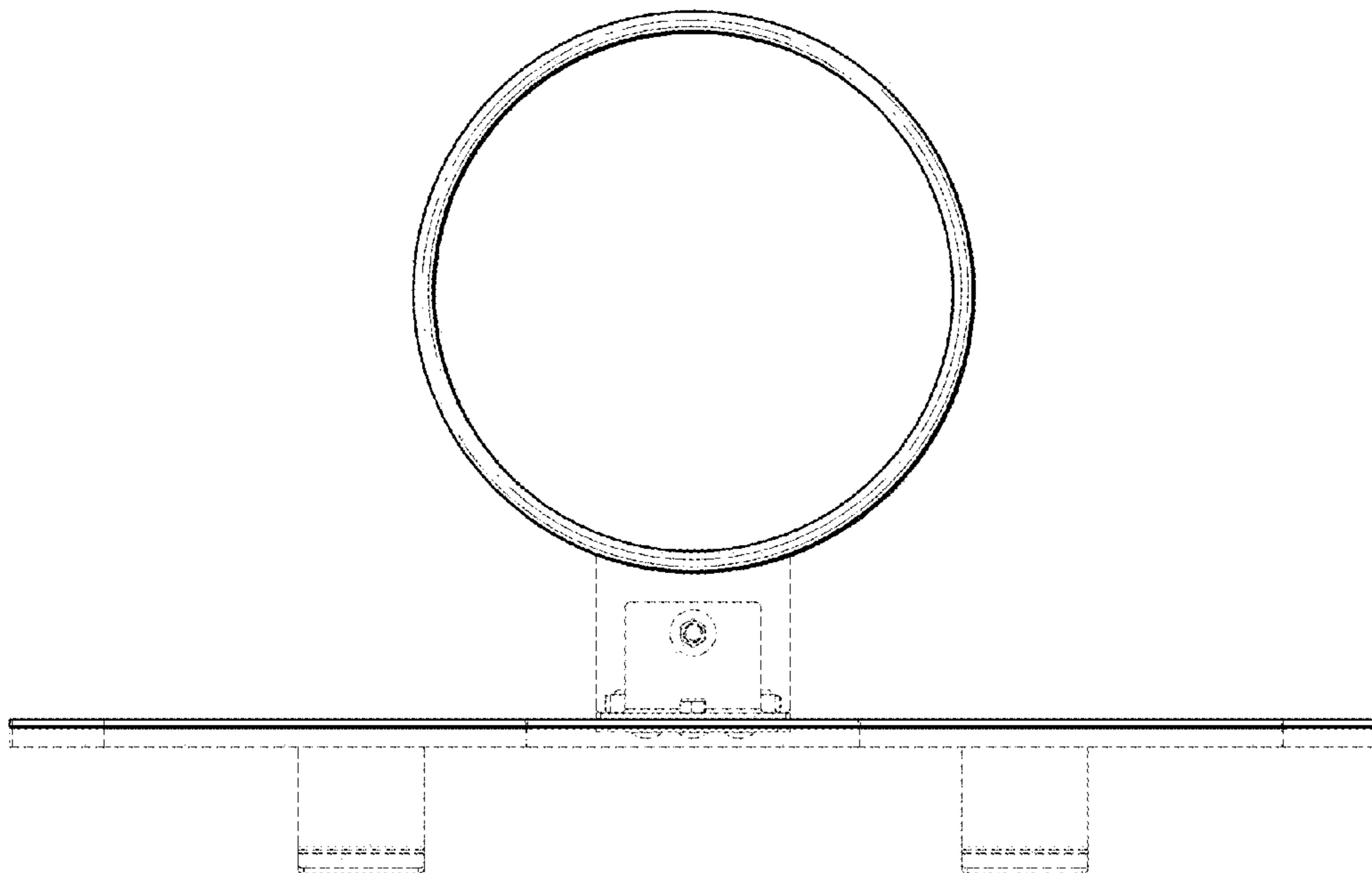
*FIG. 11*



*FIG. 12*



*FIG. 13*



*FIG. 14*

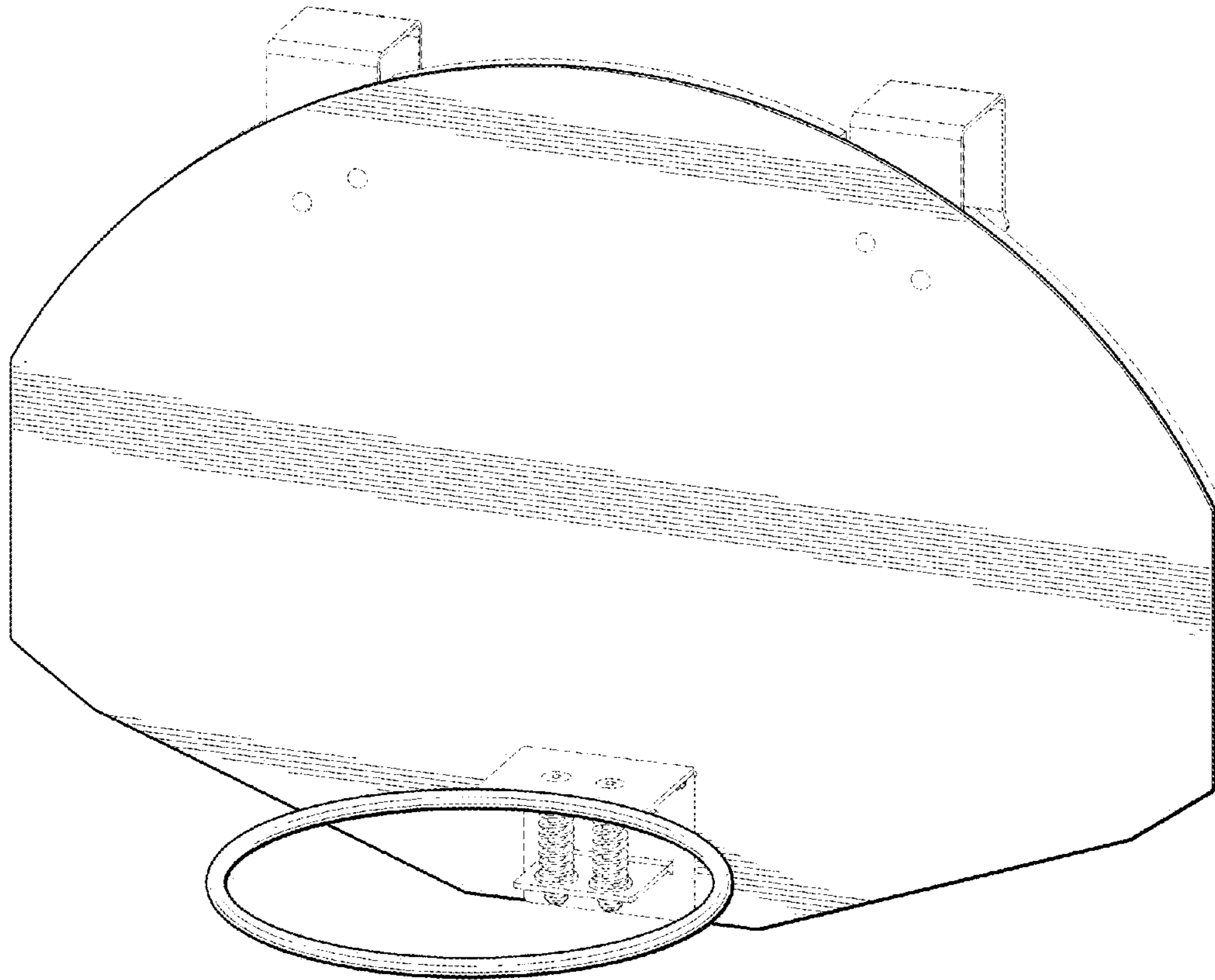


FIG. 15

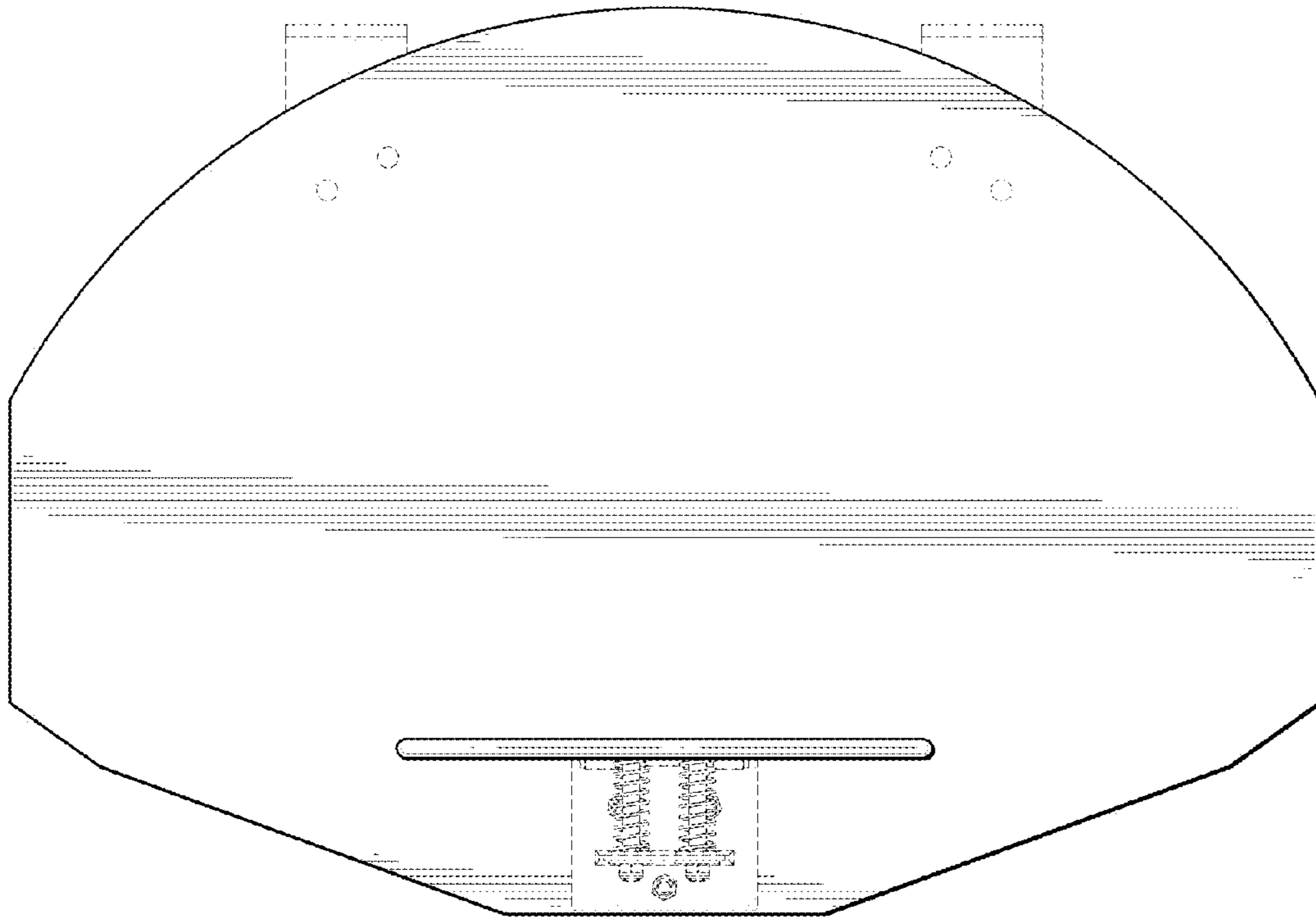
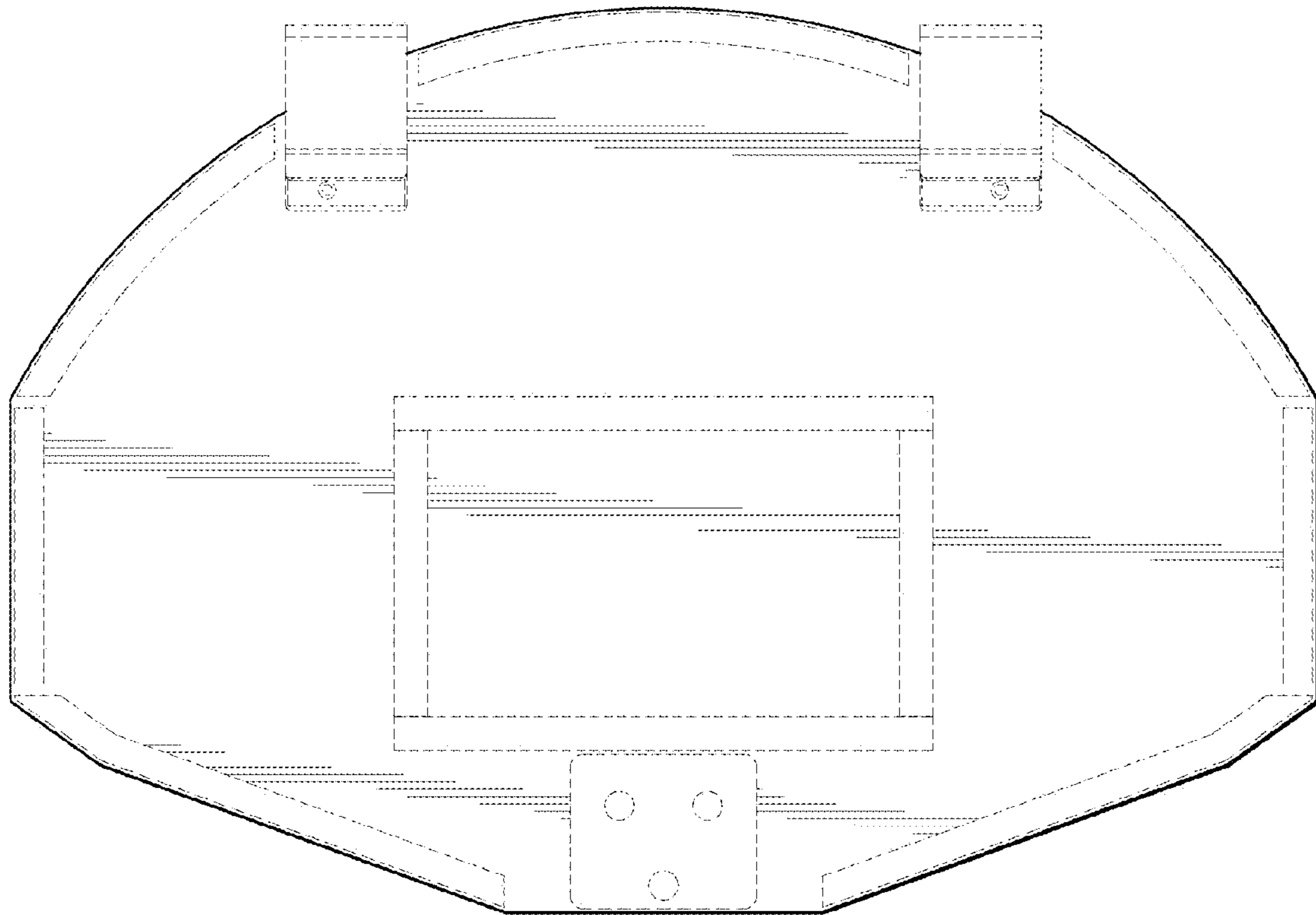
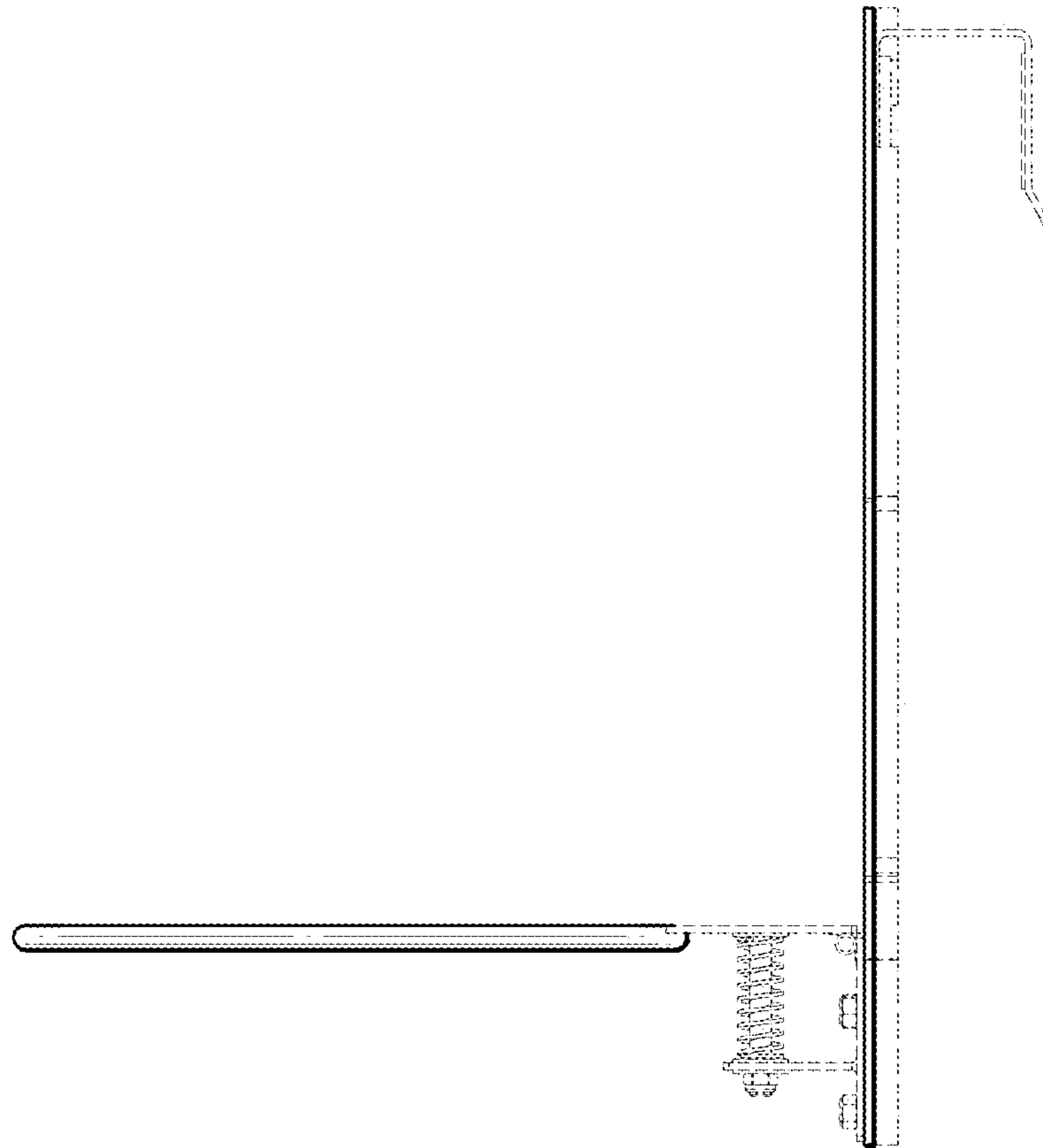


FIG. 16

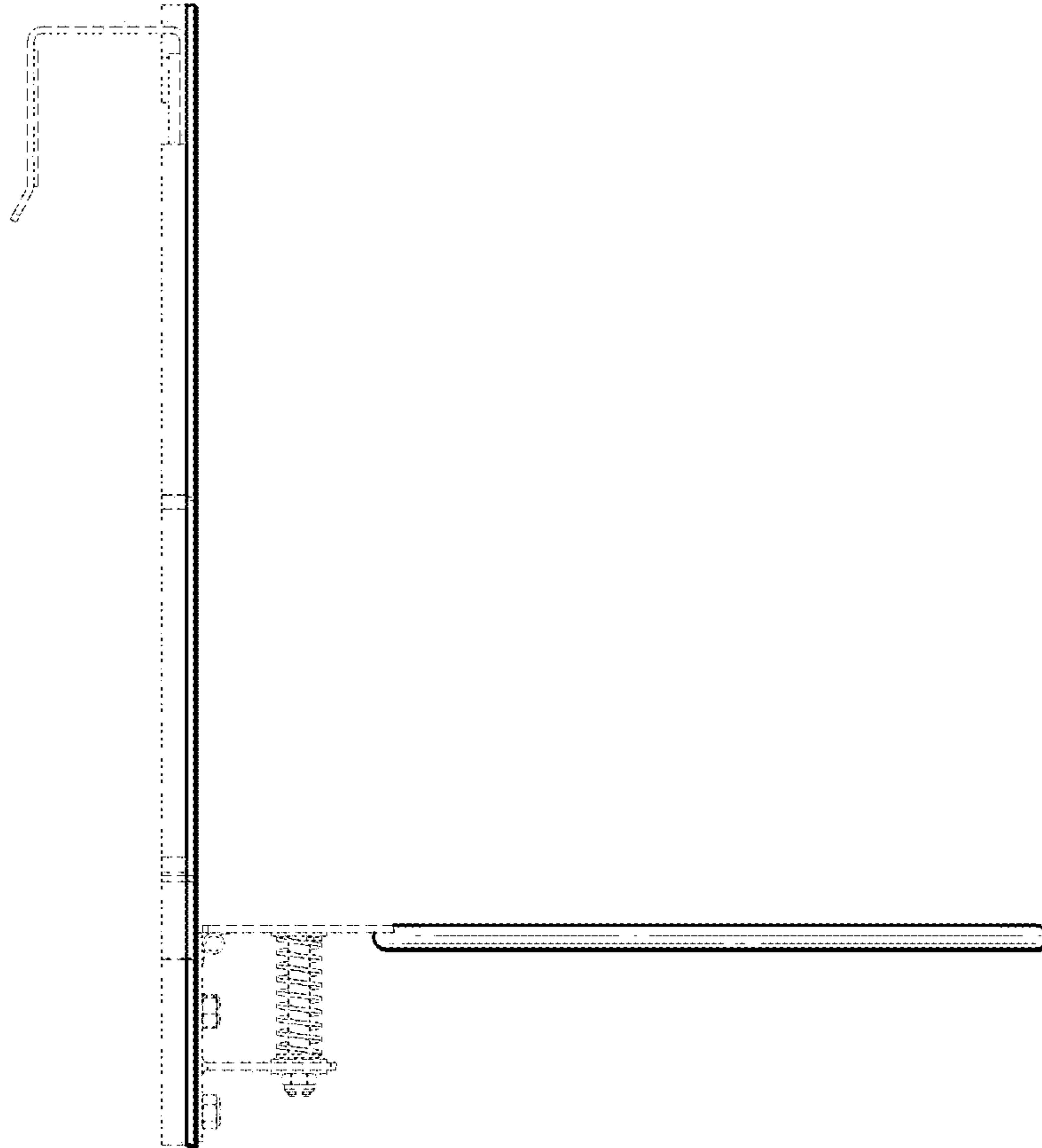




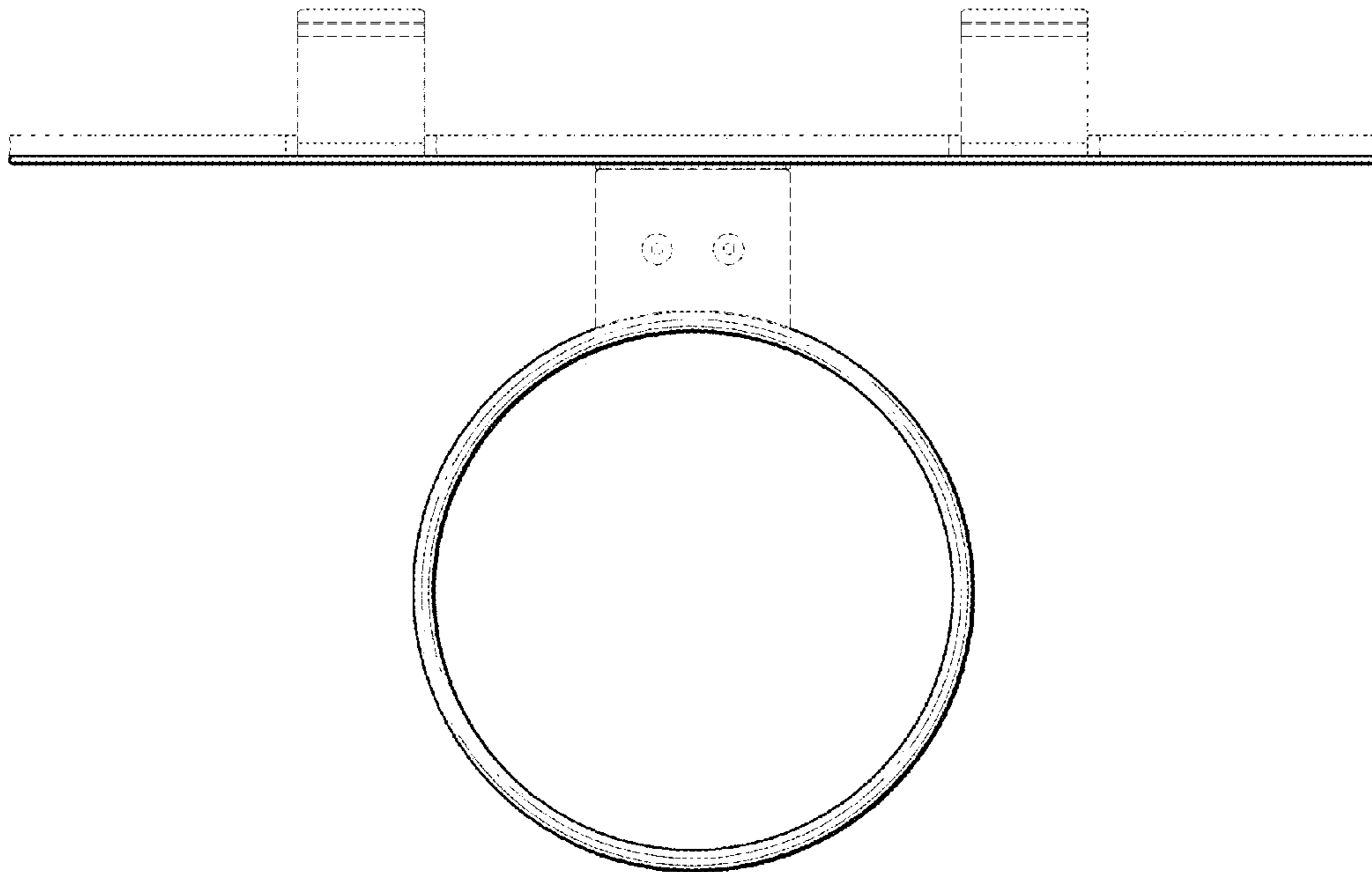
*FIG. 17*



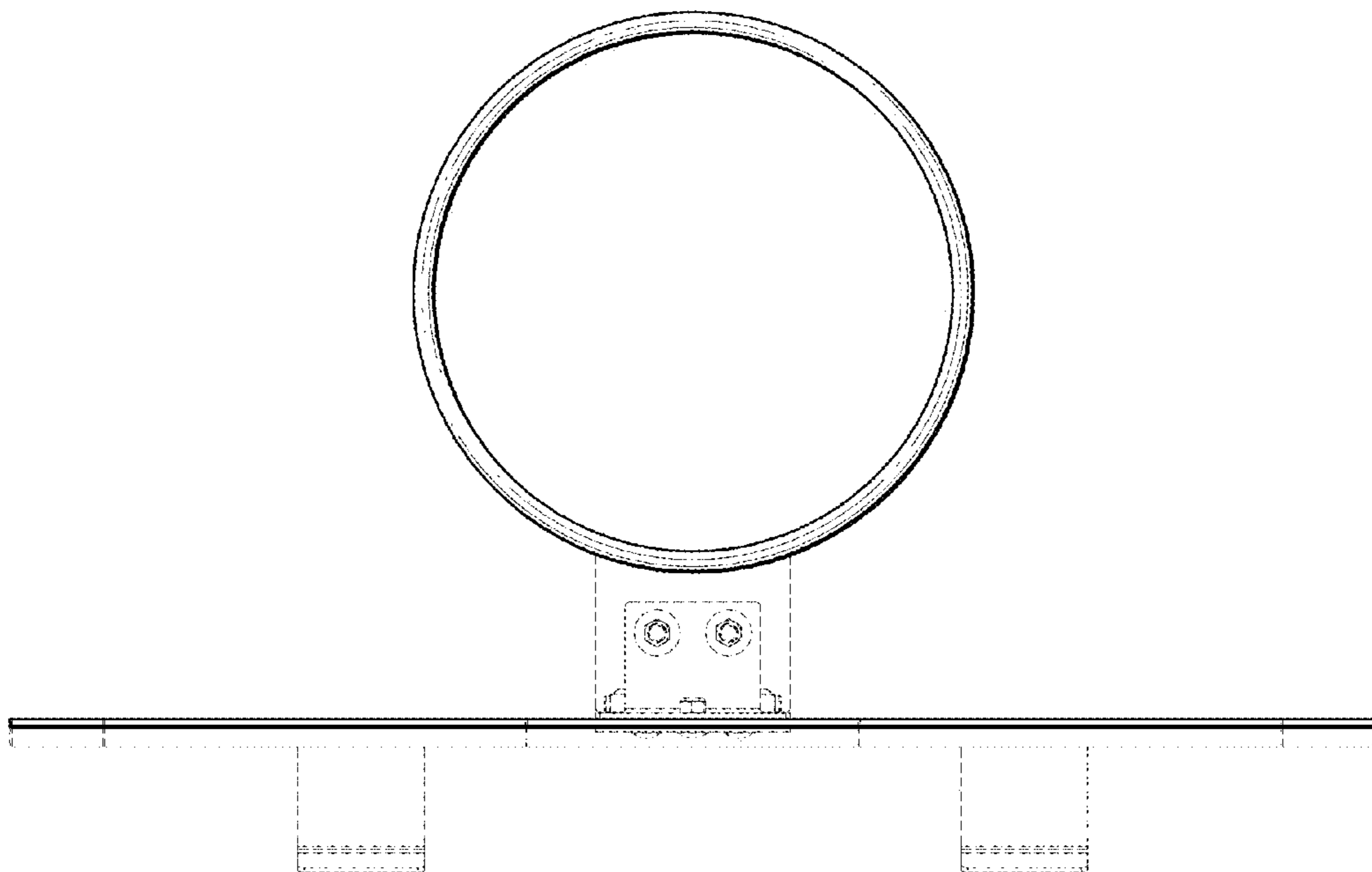
*FIG. 18*



*FIG. 19*



*FIG. 20*



*FIG. 21*

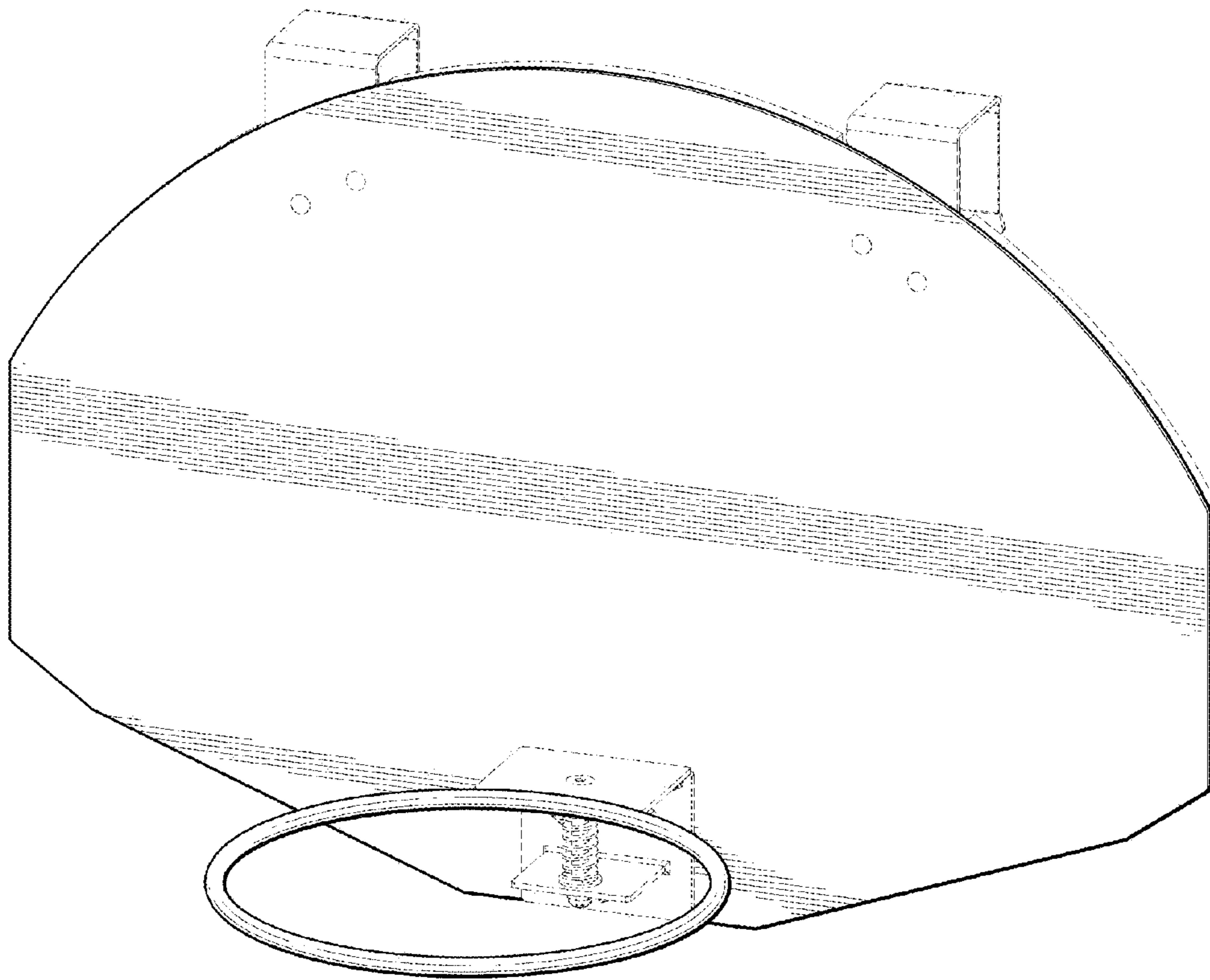


FIG. 22

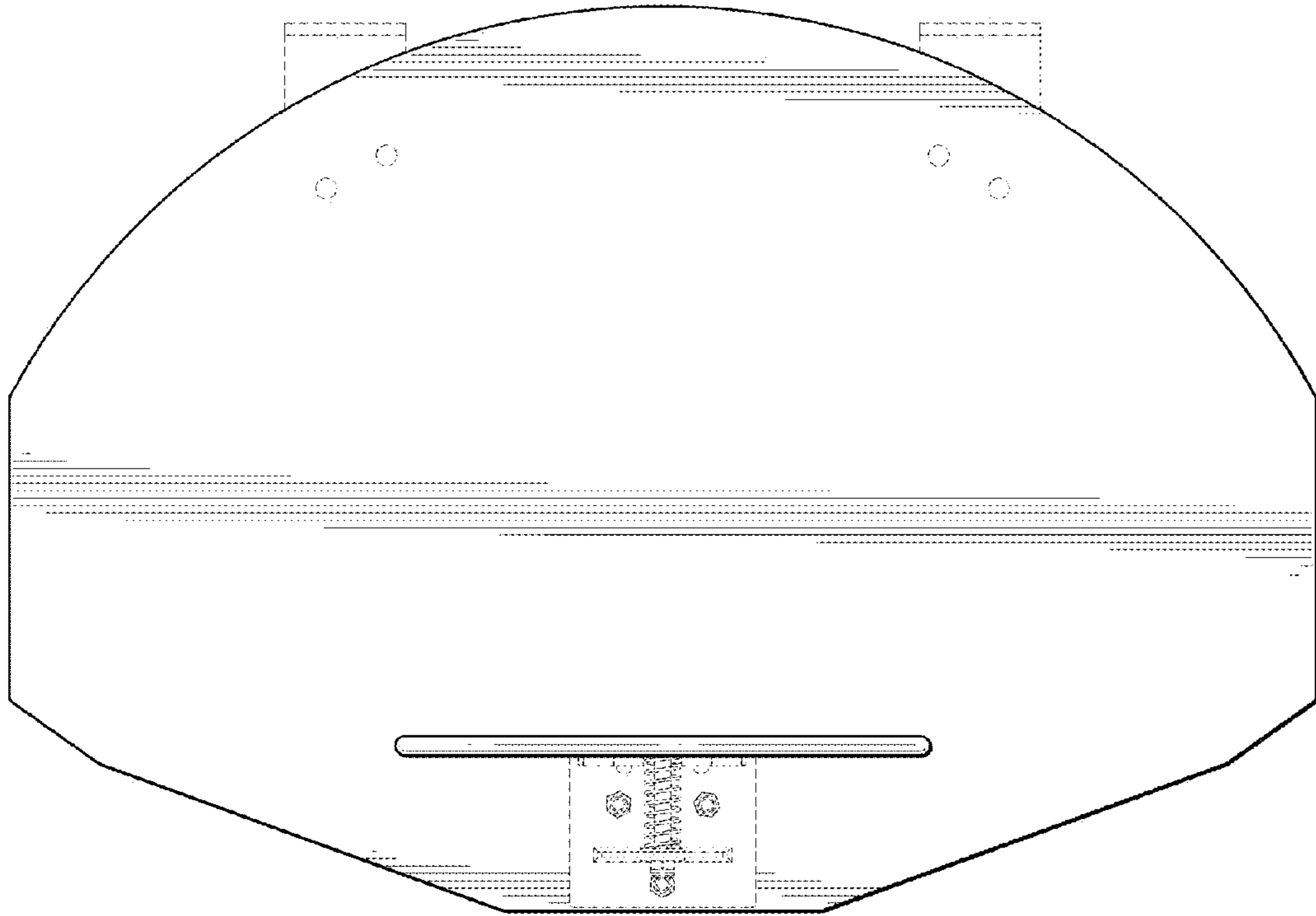


FIG. 23

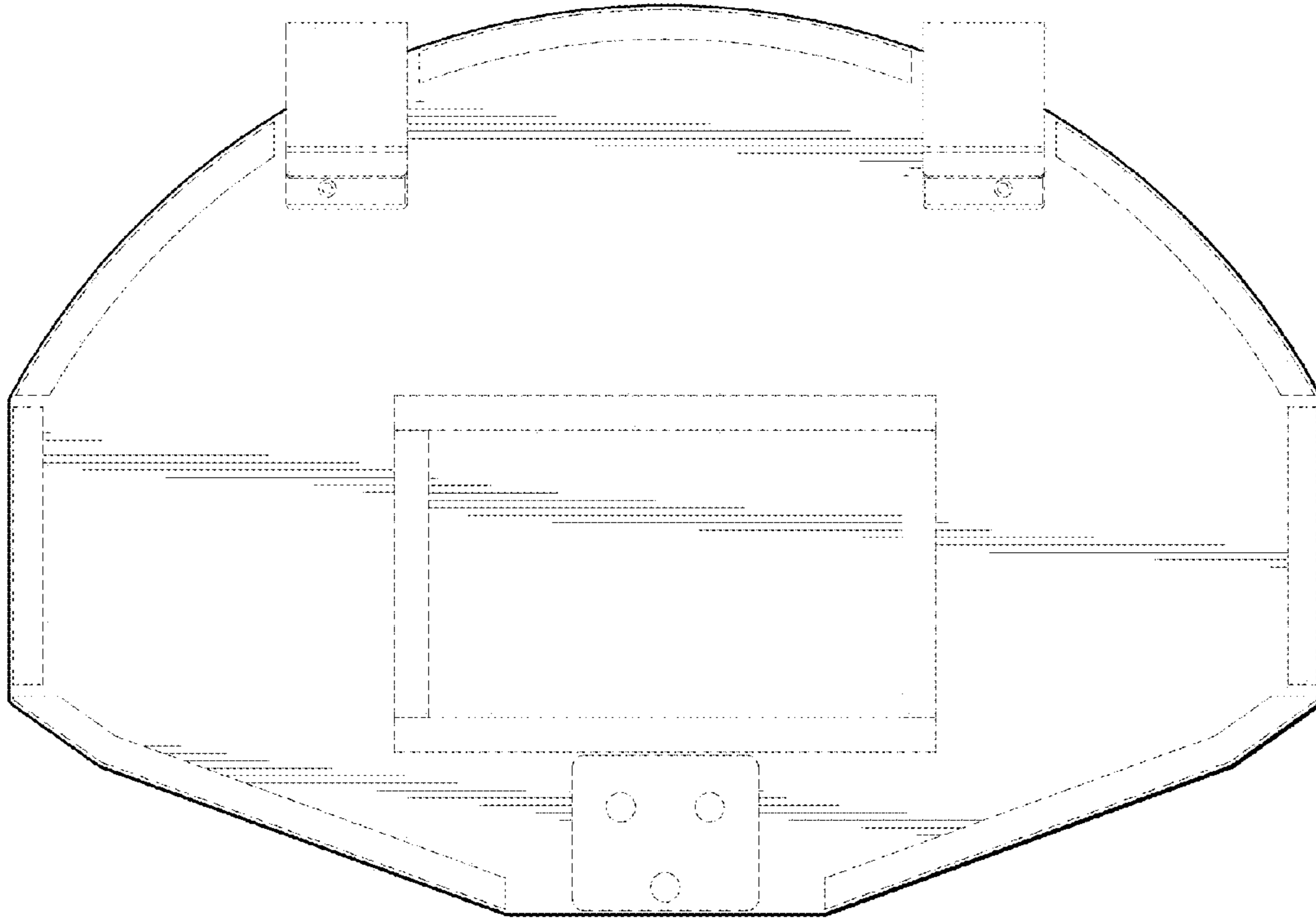
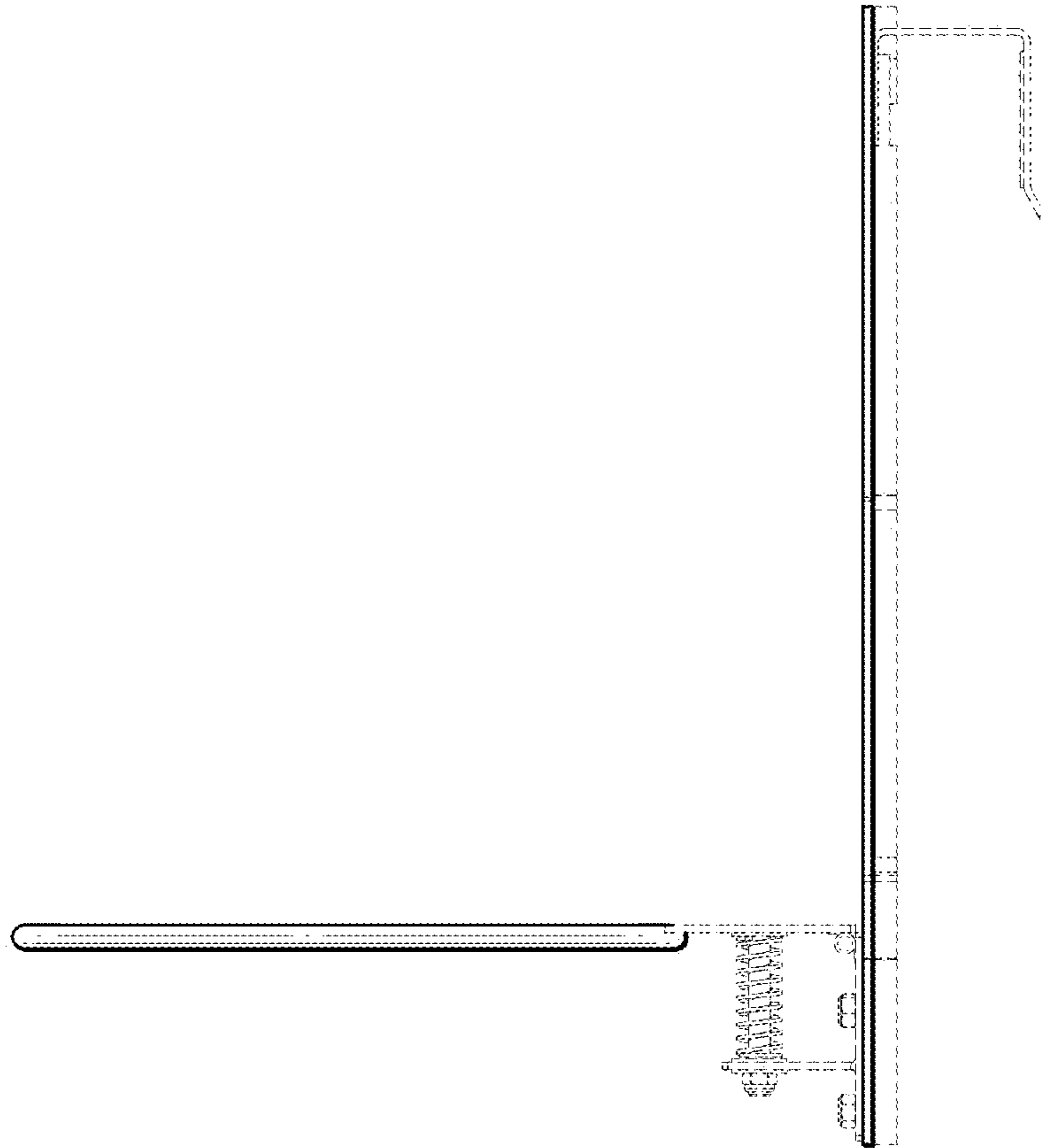
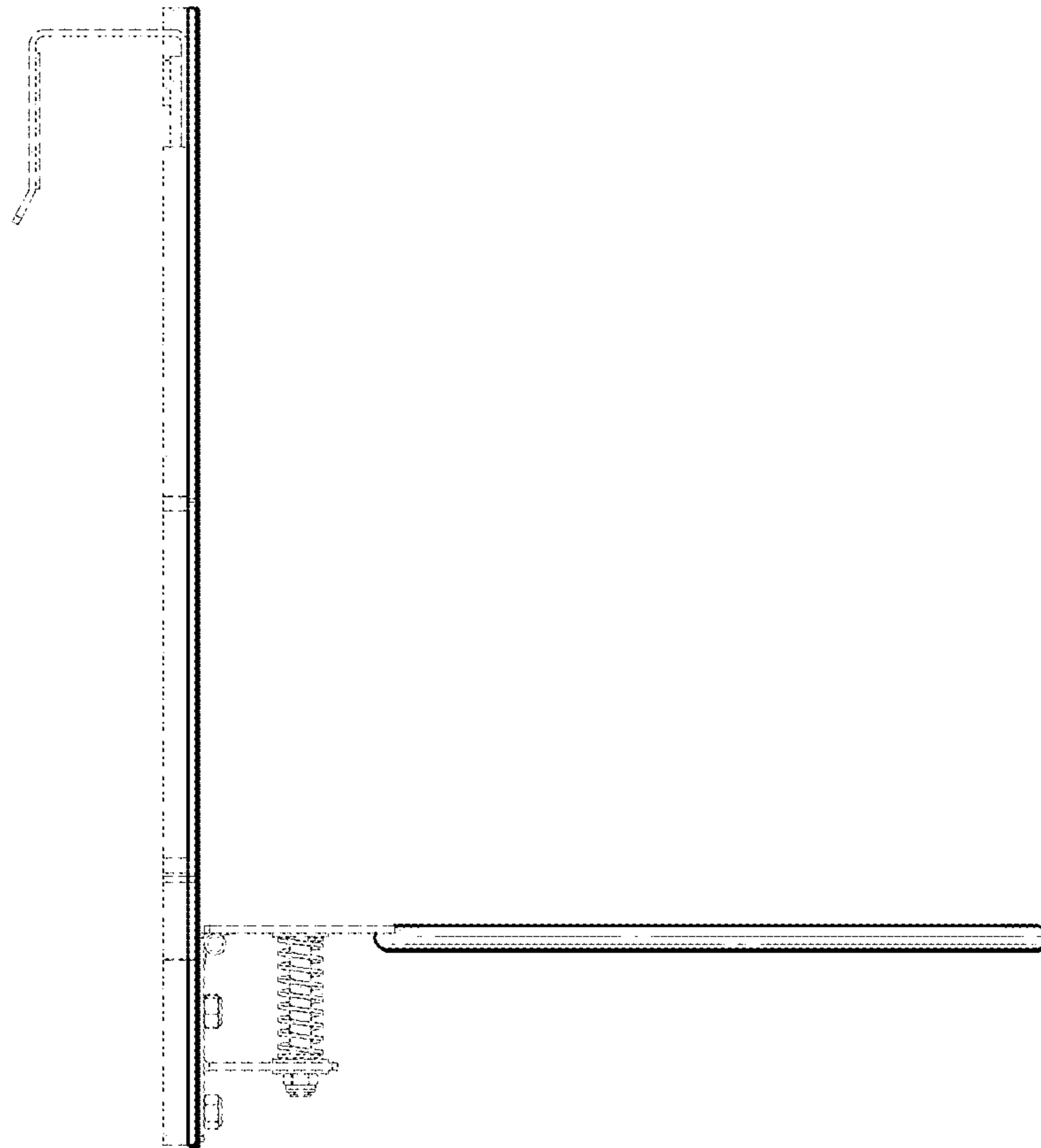


FIG. 24

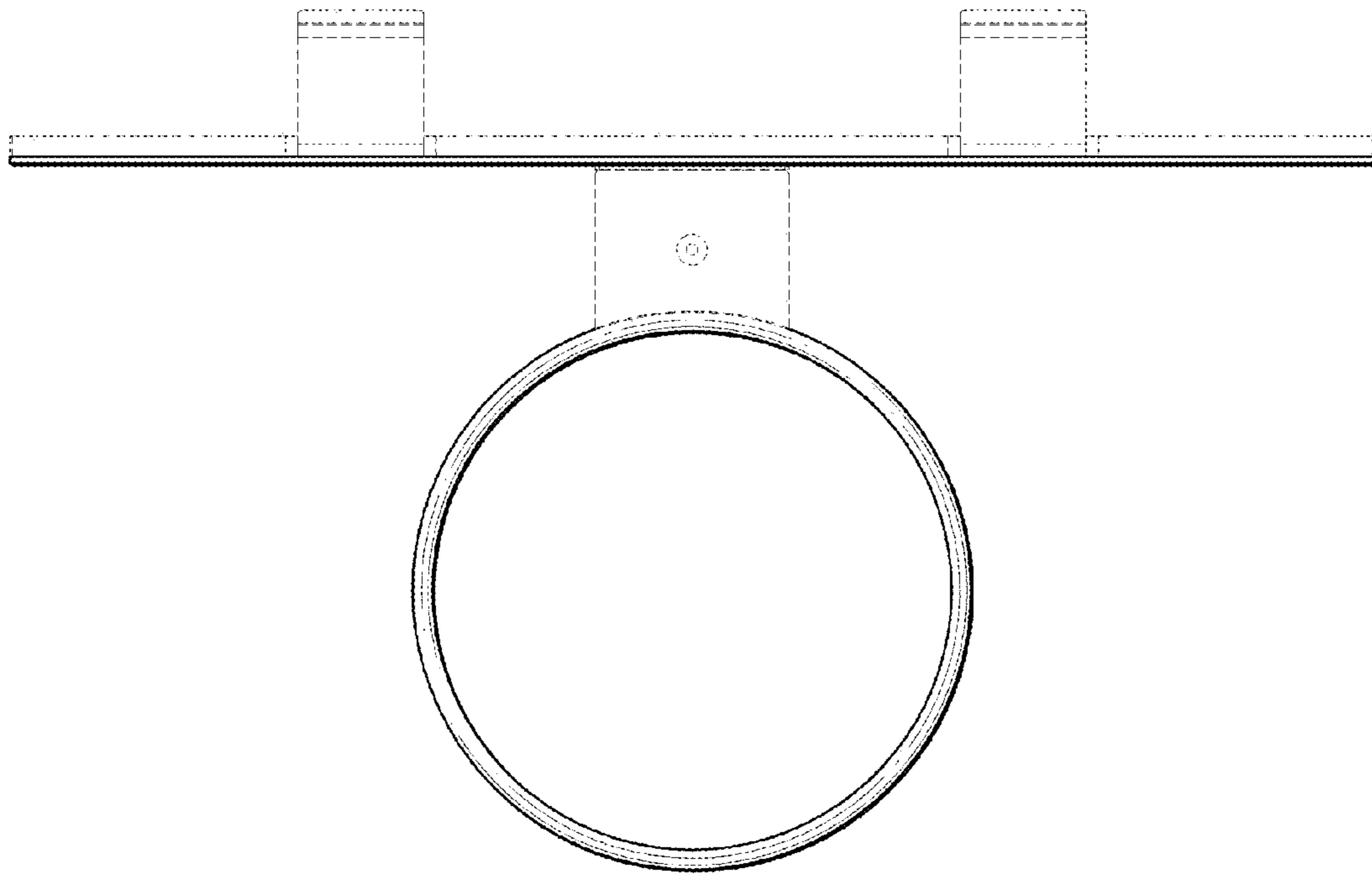


*FIG. 25*

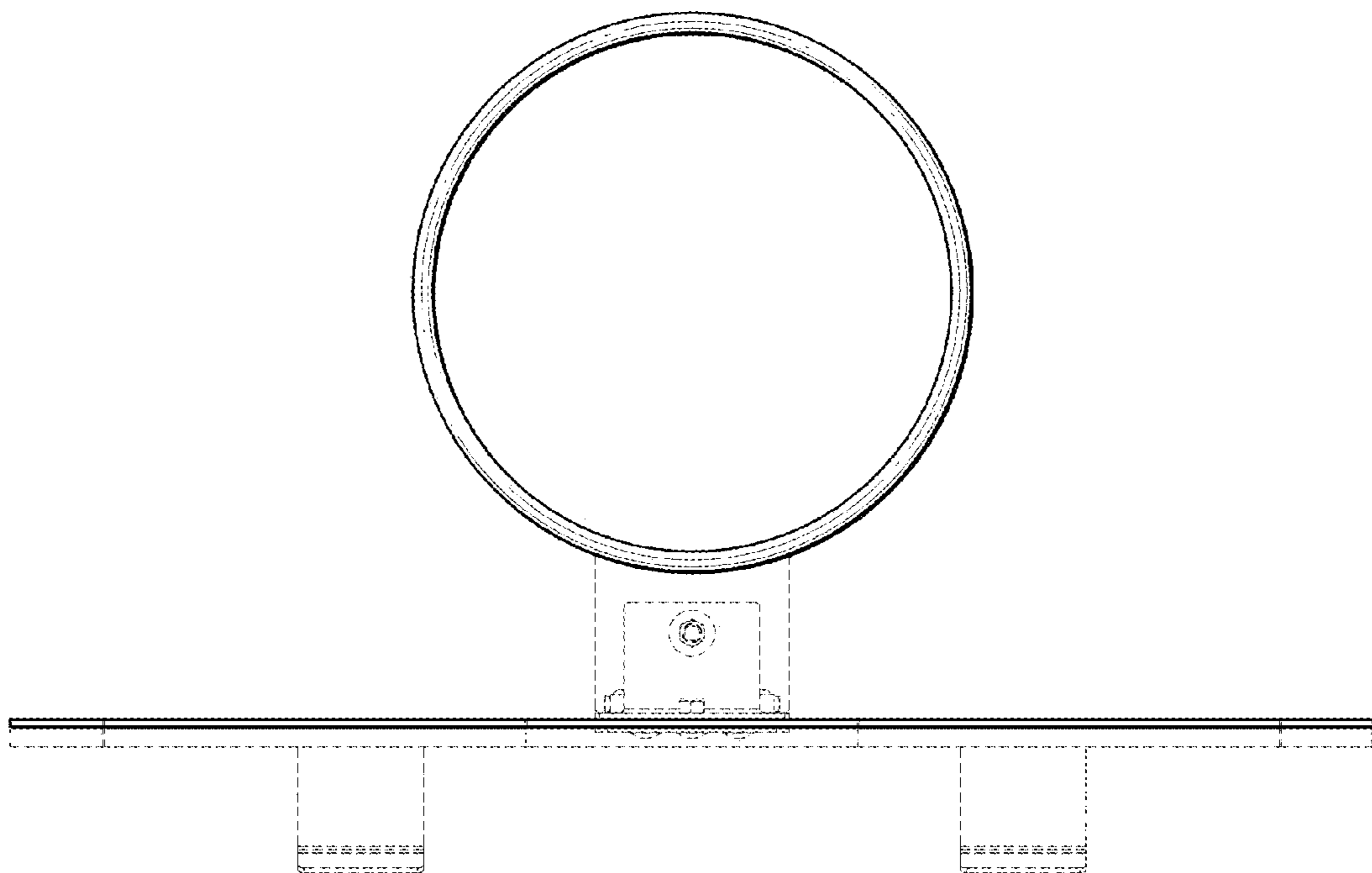




*FIG. 26*



*FIG. 27*



*FIG. 28*