



US00D695858S

(12) **United States Design Patent**  
**Holland et al.**

(10) **Patent No.:** **US D695,858 S**

(45) **Date of Patent:** **\*\* Dec. 17, 2013**

(54) **BASKETBALL GOAL**

(71) Applicant: **Pro Performance Sports, L.L.C.**,  
Carlsbad, CA (US)

(72) Inventors: **Allen Holland**, Sheffield (GB); **Thomas A. Quinn**, Carlsbad, CA (US); **Timothy S. Clark**, San Diego, CA (US); **Eric Lucatero**, Temecula, CA (US); **Brant Michael Taylor**, Encinitas, CA (US)

(73) Assignee: **Pro Performance Sports, L.L.C.**,  
Carlsbad, CA (US)

(\*\*) Term: **14 Years**

(21) Appl. No.: **29/433,737**

(22) Filed: **Oct. 4, 2012**

(51) **LOC (9) Cl.** ..... **21-02**

(52) **U.S. Cl.**  
USPC ..... **D21/701**; D21/703

(58) **Field of Classification Search**  
USPC ..... D21/301–305, 698–705, 781; 473/433,  
473/447, 448, 449, 472, 476, 479–489;  
273/317, 317.3, 348, 398–410

See application file for complete search history.

(56) **References Cited**

**U.S. PATENT DOCUMENTS**

2,838,308	A *	6/1958	Polite	473/488
3,945,638	A *	3/1976	Luebke	473/433
4,877,241	A *	10/1989	Rothbard	473/485
D330,059	S *	10/1992	McGivern et al.	D21/703
D397,384	S *	8/1998	DeArmond	D21/701
6,056,654	A *	5/2000	Schroeder	473/483
6,554,724	B2 *	4/2003	Taylor	473/447
6,746,348	B2 *	6/2004	Barnes et al.	473/433
6,984,129	B1 *	1/2006	Jordan	434/248
D554,193	S *	10/2007	Palmeri et al.	D21/305
D608,848	S *	1/2010	Quinn	D21/703
D647,983	S *	11/2011	Quinn	D21/703
8,167,745	B2 *	5/2012	Britto et al.	473/481
2005/0255946	A1 *	11/2005	Liu	473/479
2007/0213147	A1 *	9/2007	Nye et al.	473/479

2008/0004139	A1 *	1/2008	Jang	473/481
2008/0176679	A1 *	7/2008	Chin	473/481
2009/0149282	A1 *	6/2009	Dahlin	473/479

**FOREIGN PATENT DOCUMENTS**

CN	3342204	*	12/2003
CN	3451447	*	6/2005
CN	300762342	*	4/2008
CN	300865350	*	12/2008
WO	D011740-001	*	11/1988

**OTHER PUBLICATIONS**

GLS Greg Larson Sports 2002 Full Line Catalog, p. 72—upper left: 1) Schutt Rigidbilt® Double Rim Goal; lower right: 2) Bison Ultimate Playground Goals; and 3) Super-Goal.\*  
Sportime® Fall 2003 Catalog, p. 189: Item D.\*

\* cited by examiner

*Primary Examiner* — Catherine Tuttle

(74) *Attorney, Agent, or Firm* — Kenneth H. Ohriner;  
Perkins Coie LLP

(57) **CLAIM**

The ornamental design for a basketball goal, substantially as shown and described.

**DESCRIPTION**

FIG. 1 is a perspective view showing of our new design for a basketball goal in a first embodiment having a double rim; FIG. 2 is a front view of FIG. 1; FIG. 3 is an enlarged view of the chain portion within area 3 of FIG. 2, the detail within this portion being continued throughout the remainder of the net; FIG. 4 is a rear view of FIG. 1; FIG. 5 is a left side view of FIG. 1; FIG. 6 is a right side view of FIG. 1; FIG. 7 is a top view of FIG. 1; FIG. 8 is a bottom view of FIG. 1; FIG. 9 is a perspective view showing the first embodiment of our design in association with a single-spring bracket assembly; FIG. 10 is front view of FIG. 9;

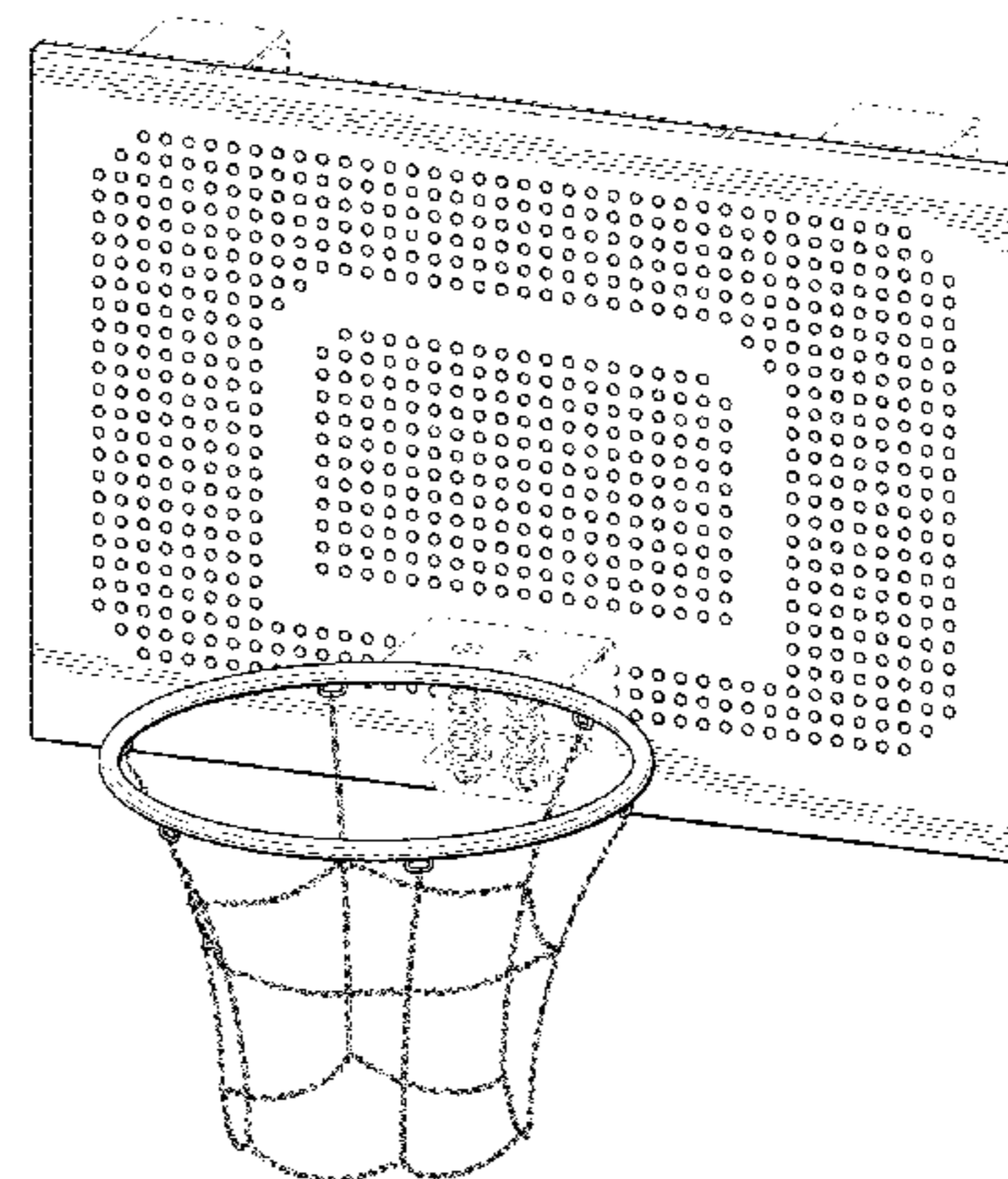
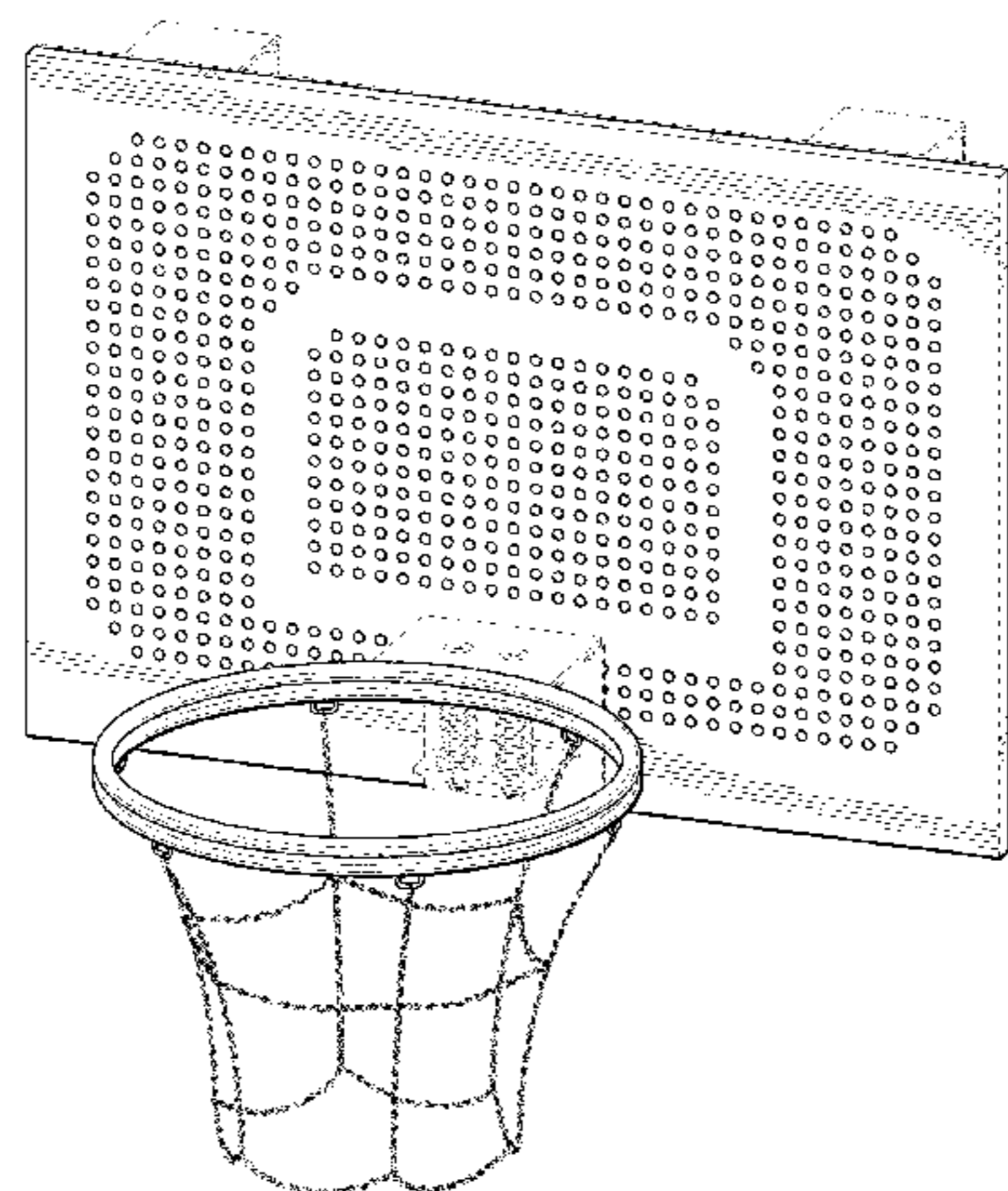


FIG. 11 is an enlarged view of the chain portion within area 11 of FIG. 10, the detail within this portion being continued throughout the remainder of the net;  
FIG. 12 is a rear view of FIG. 9;  
FIG. 13 is a left side view of FIG. 9;  
FIG. 14 is a right side view of FIG. 9;  
FIG. 15 is a top view of FIG. 9;  
FIG. 16 is a bottom view of FIG. 9;  
FIG. 17 is a perspective view showing our new design for a basketball goal in a second embodiment that differs from the first embodiment in having a single rim;  
FIG. 18 is a front view of FIG. 17;  
FIG. 19 is an enlarged view of the chain portion within area 19 of FIG. 18, the detail within this portion being continued throughout the remainder of the net;  
FIG. 20 is a rear view of FIG. 17;  
FIG. 21 is a left side view of FIG. 17;  
FIG. 22 is a right side view of FIG. 17;  
FIG. 23 is a top view of FIG. 17;

FIG. 24 is a bottom view of FIG. 17;  
FIG. 25 is a perspective view showing the second embodiment of our design in association with a single-spring bracket assembly;  
FIG. 26 is front view of FIG. 25;  
FIG. 27 is an enlarged view of the chain portion within area 27 of FIG. 26, the detail within this portion being continued throughout the remainder of the net;  
FIG. 28 is a rear view of FIG. 25;  
FIG. 29 is a left side view of FIG. 25;  
FIG. 30 is a right side view of FIG. 25;  
FIG. 31 is a top view of FIG. 25; and,  
FIG. 32 is a bottom view of FIG. 25.  
The broken lines are included for the purpose of illustrating the unclaimed elements of the basketball goal, namely, the brackets, springs, spring bolts, bolt nuts and portions of the rear surface.

**1 Claim, 24 Drawing Sheets**



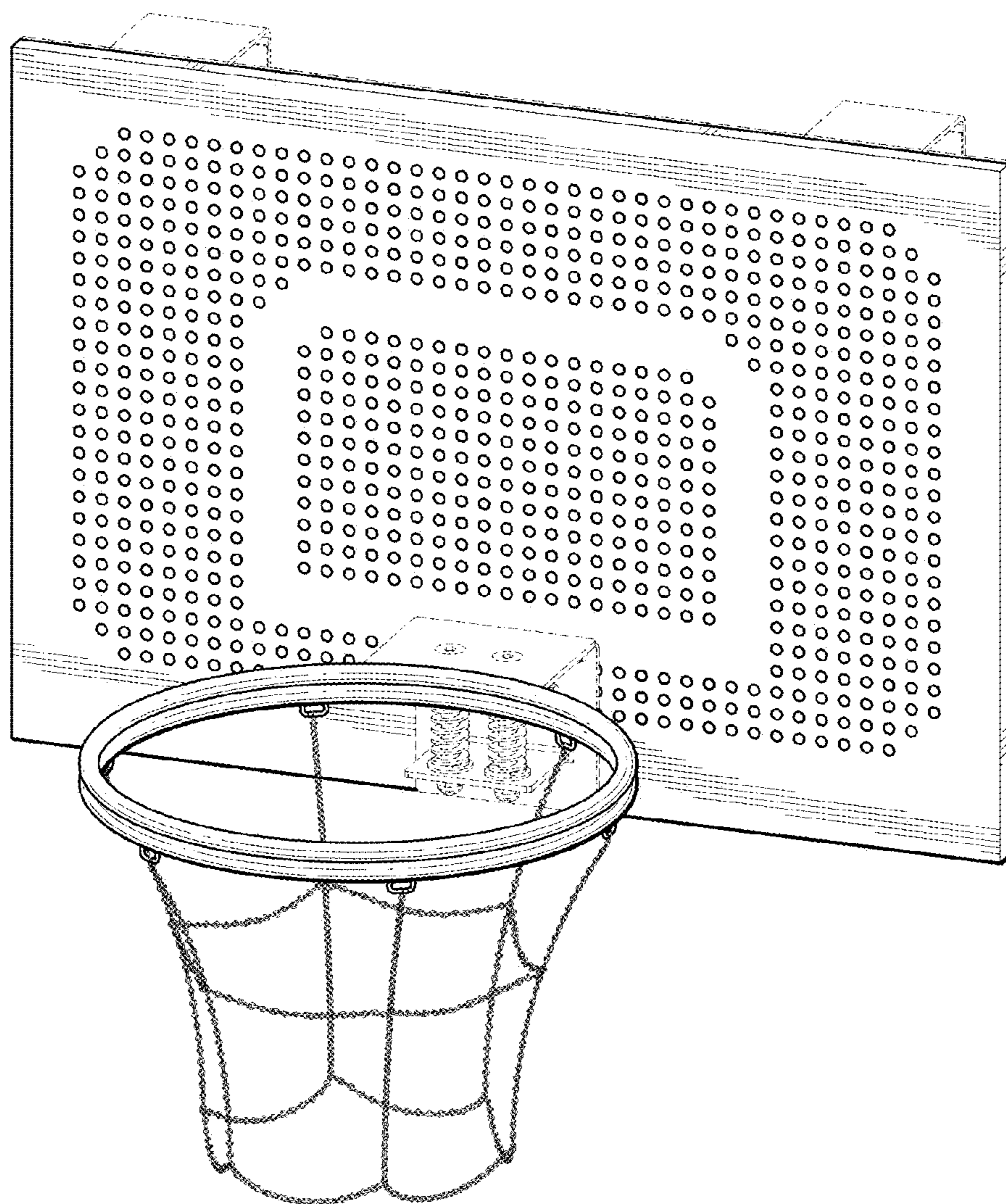


FIG. 1

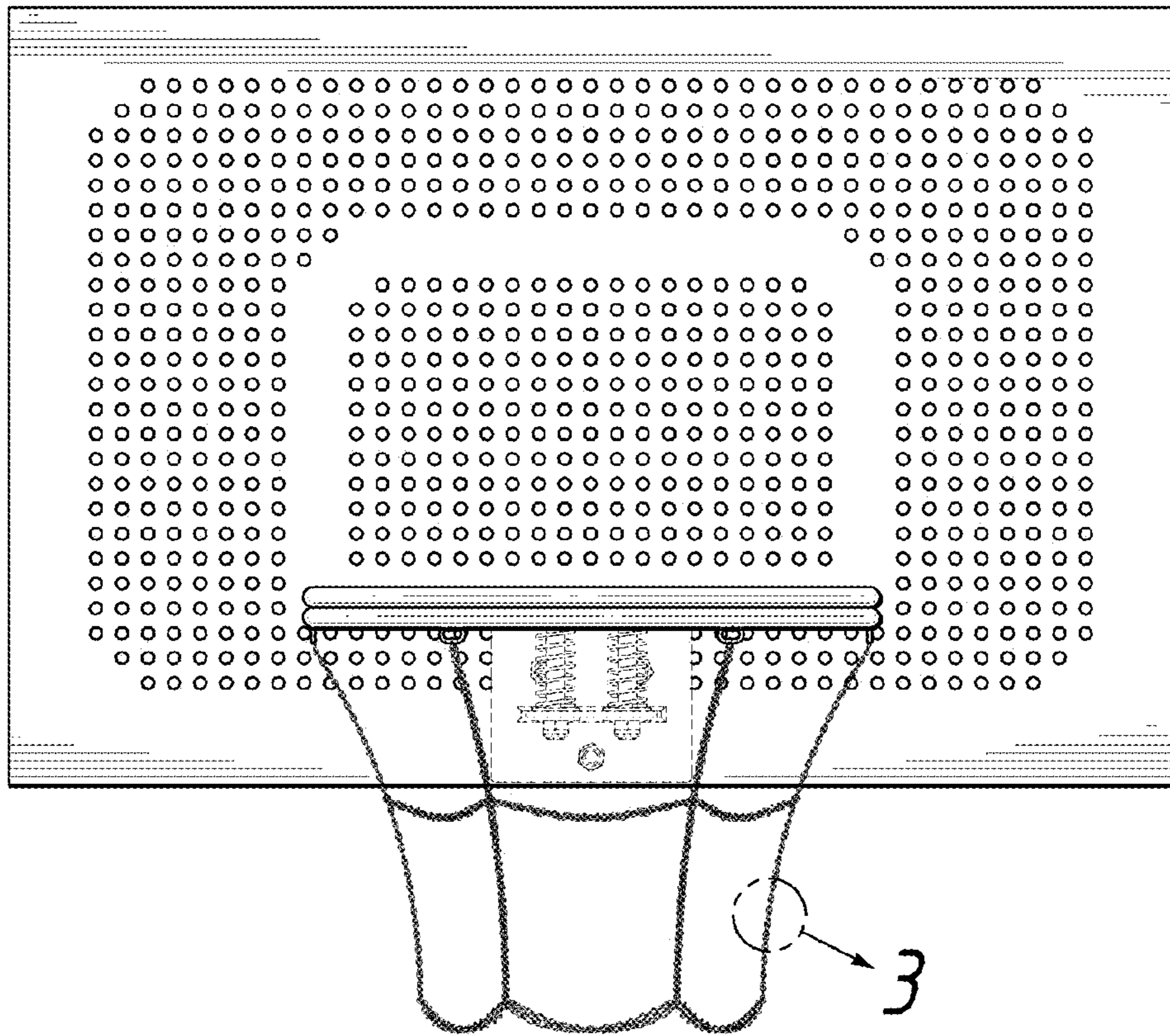


FIG. 2

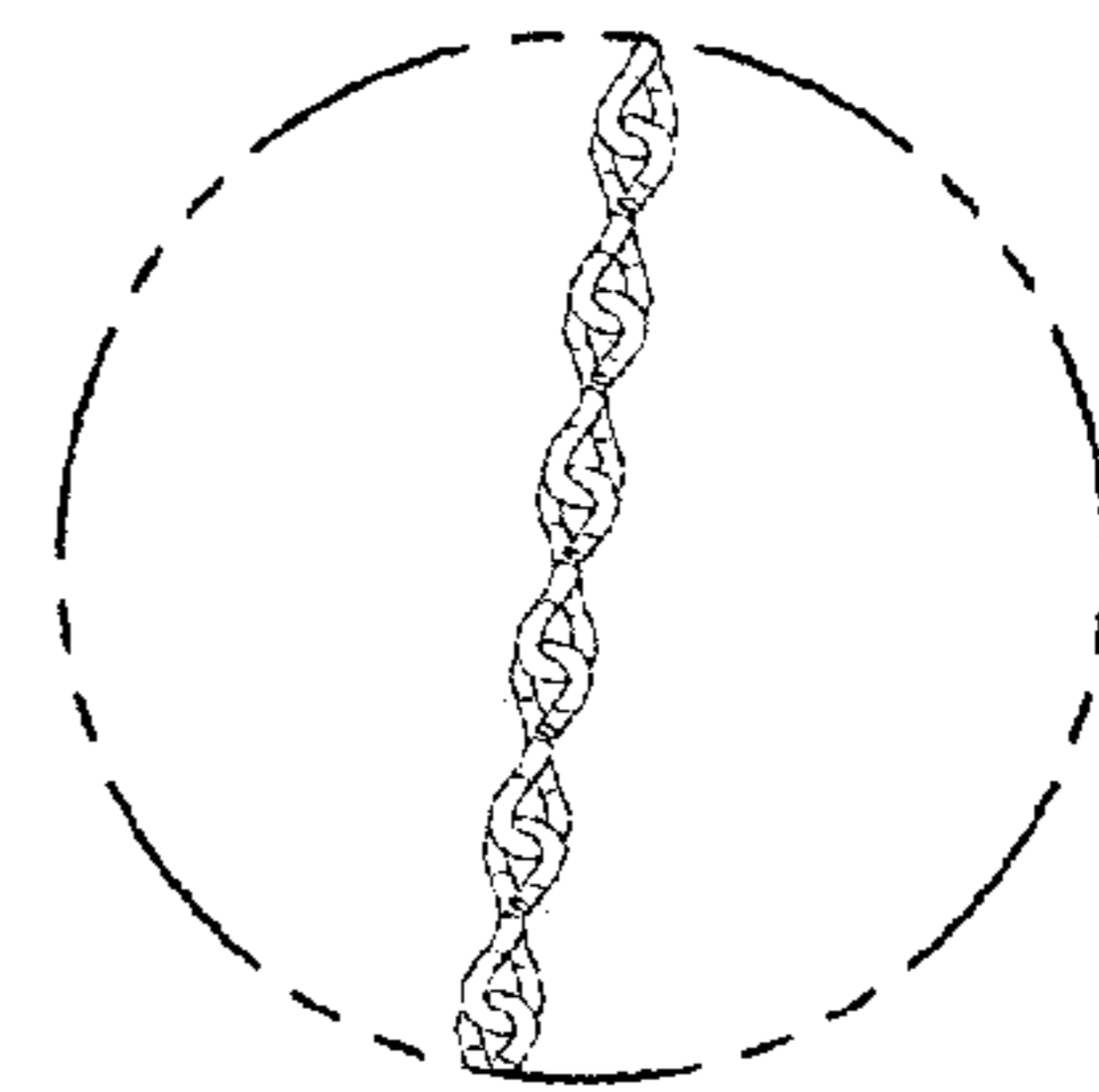


FIG. 3

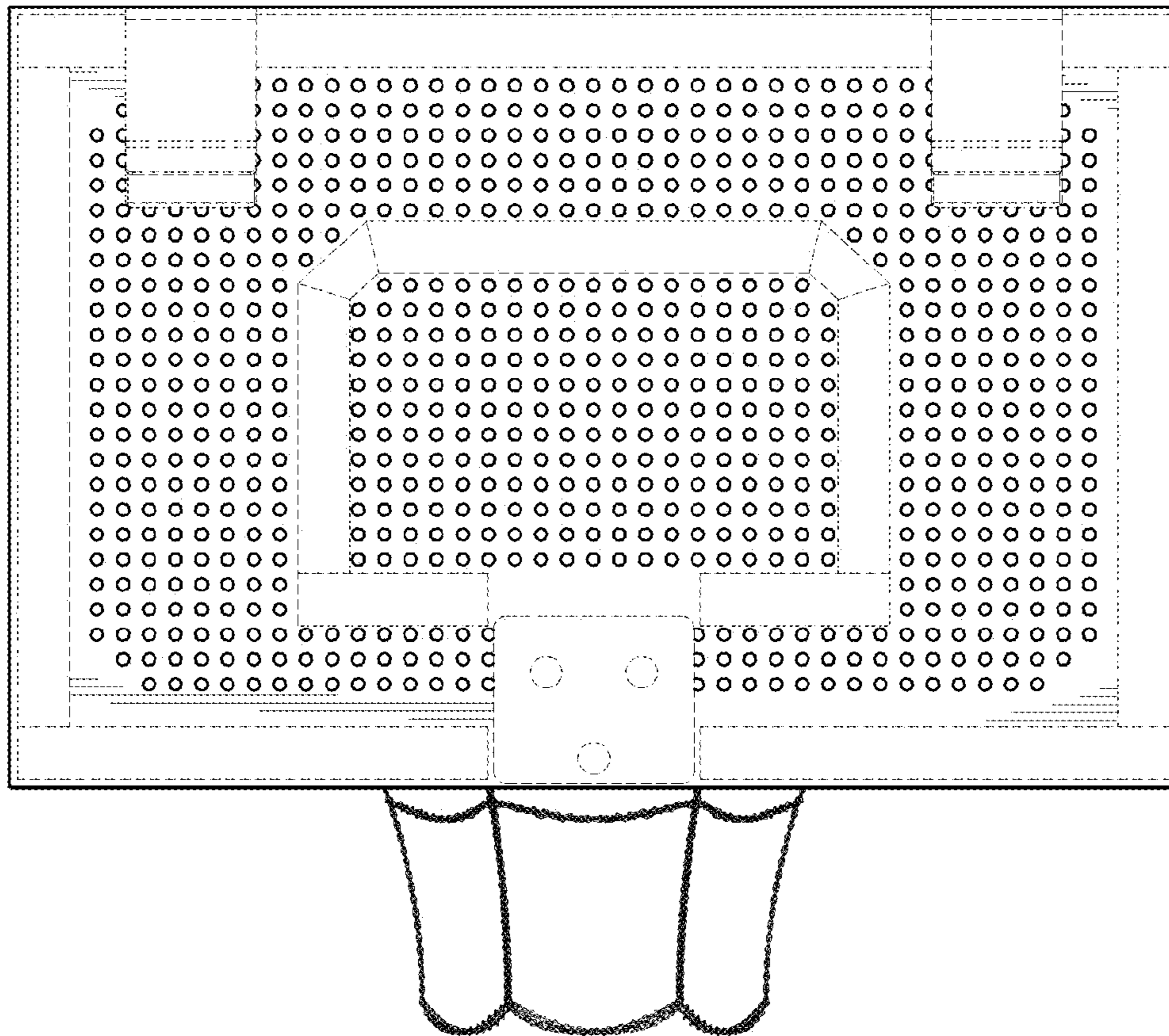


FIG. 4

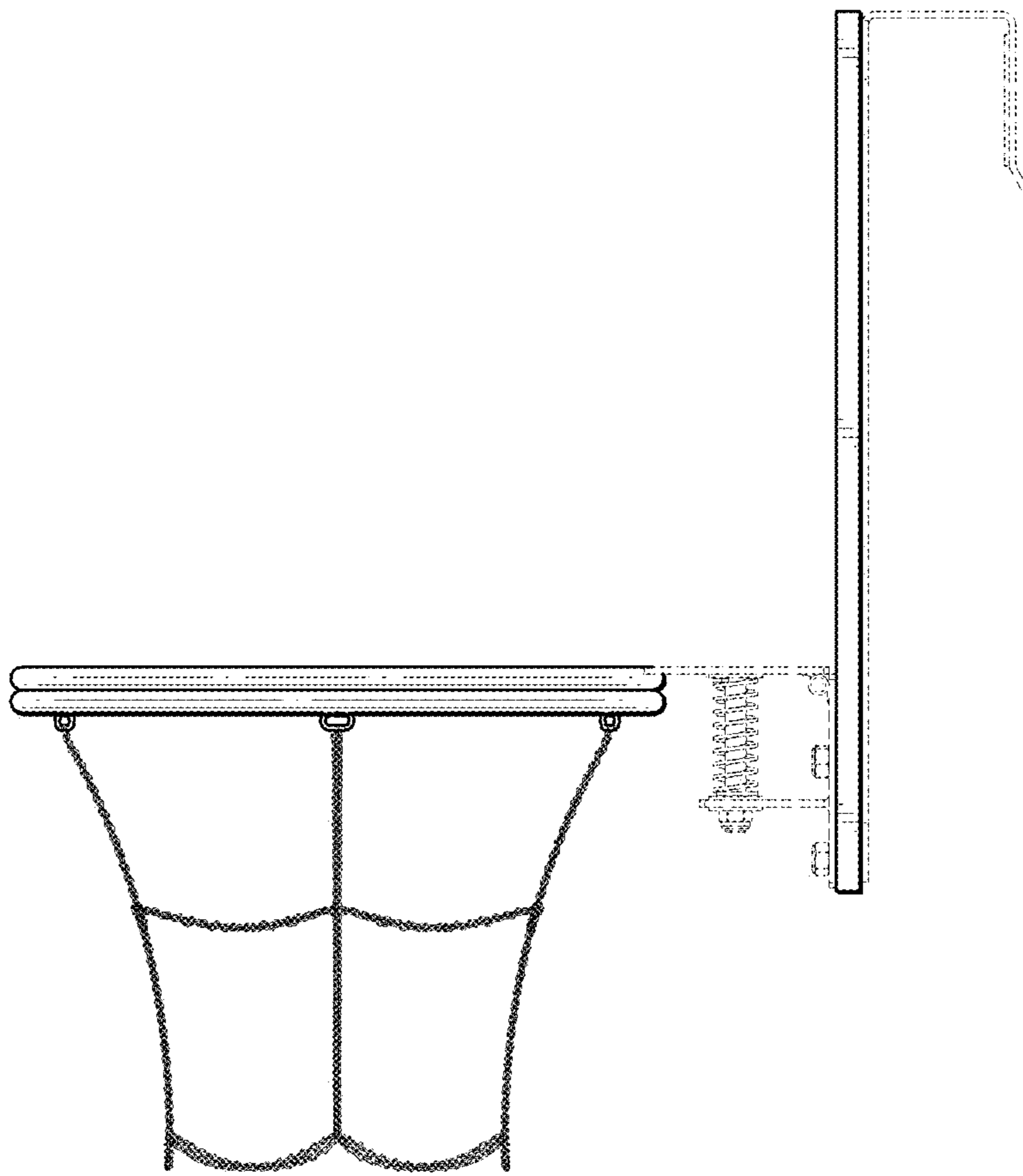
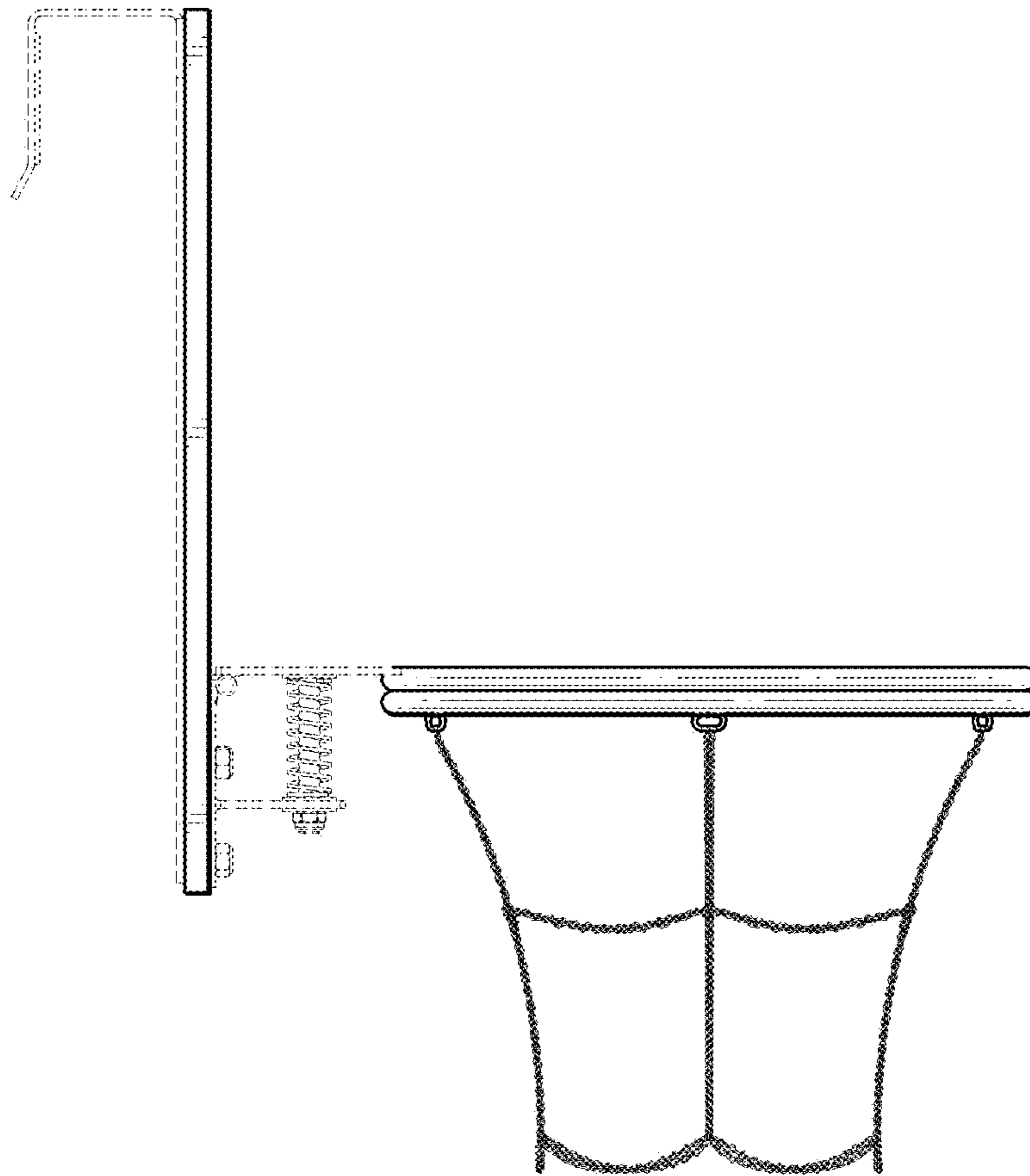
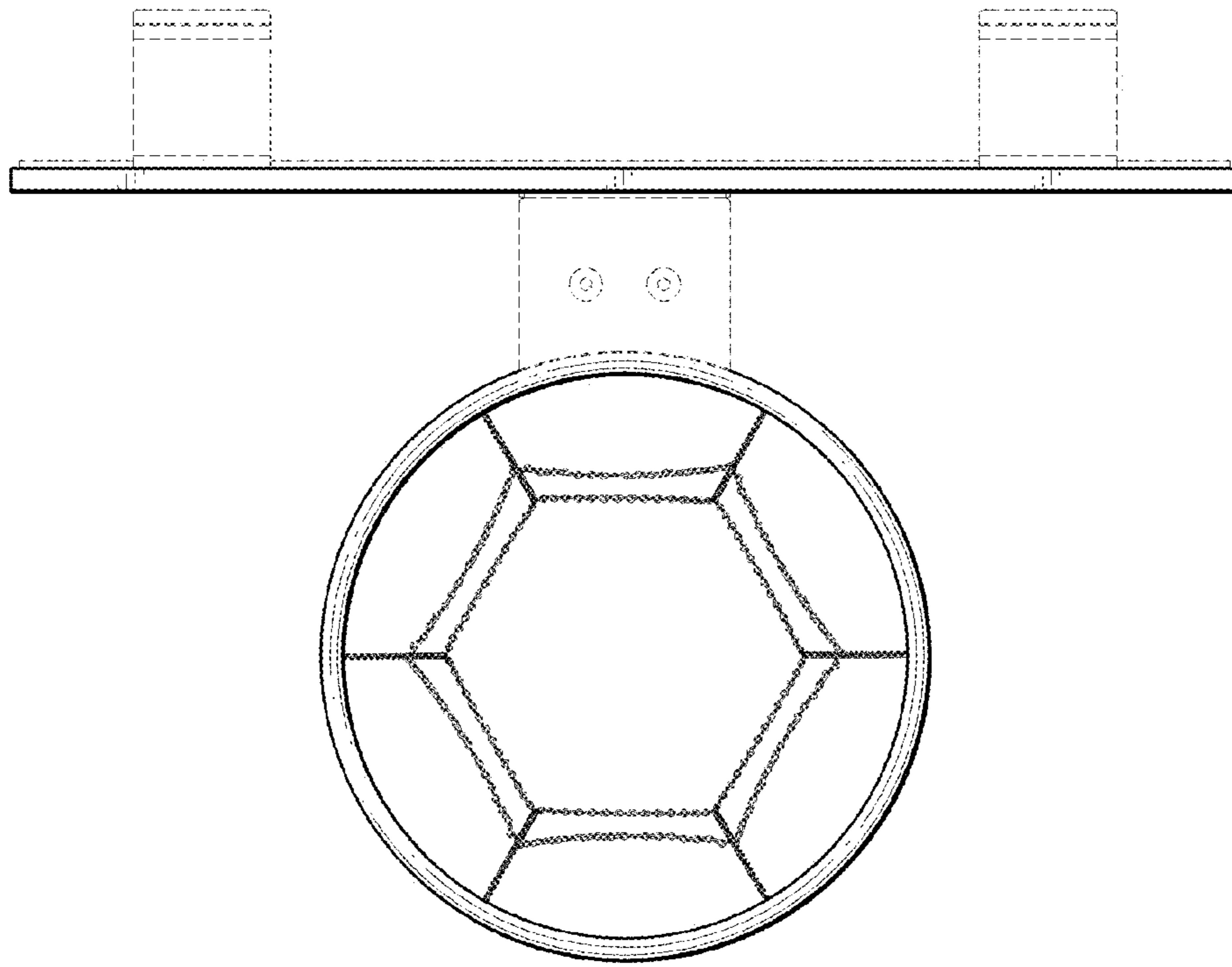


FIG. 5

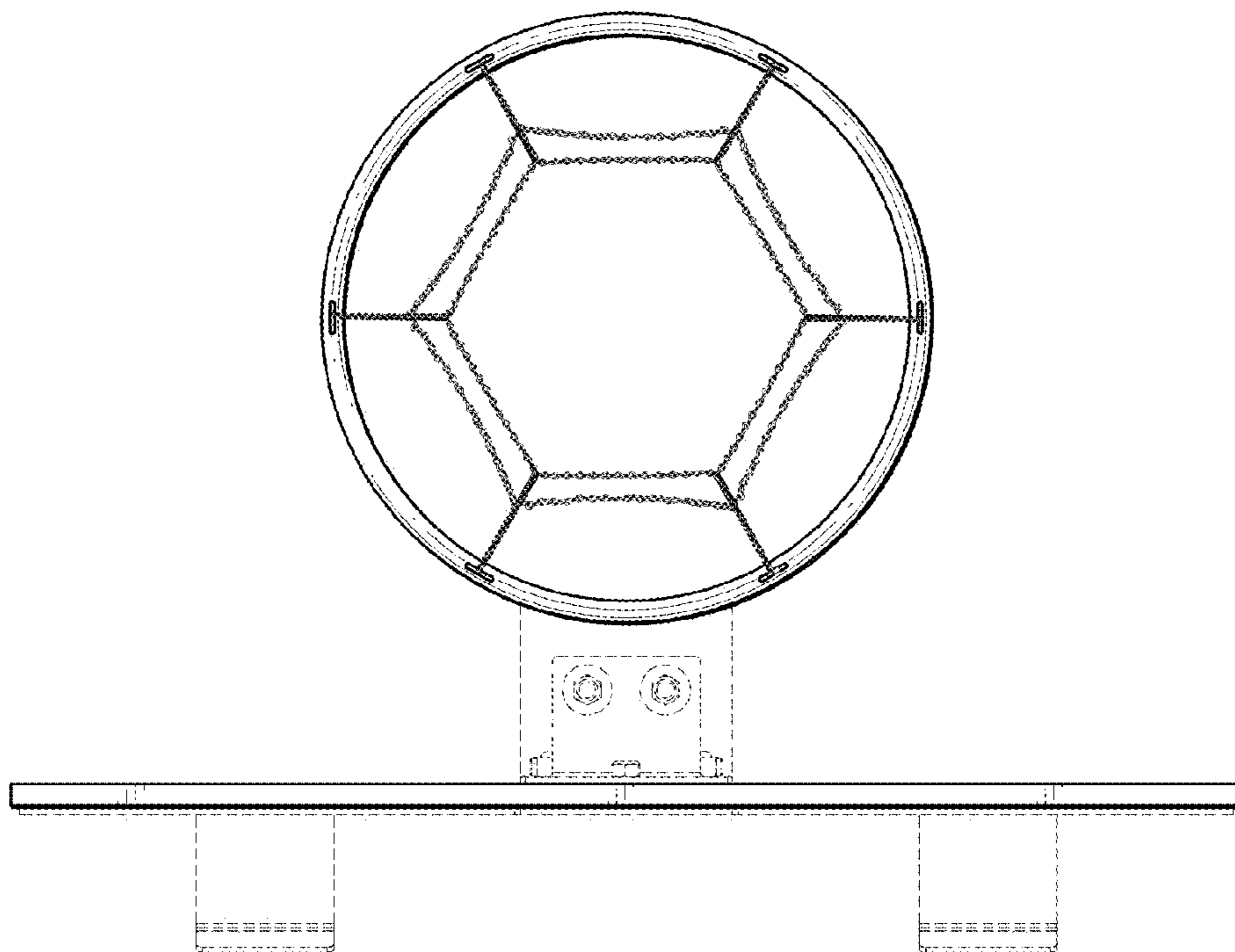




*FIG. 6*



*FIG. 7*



*FIG. 8*



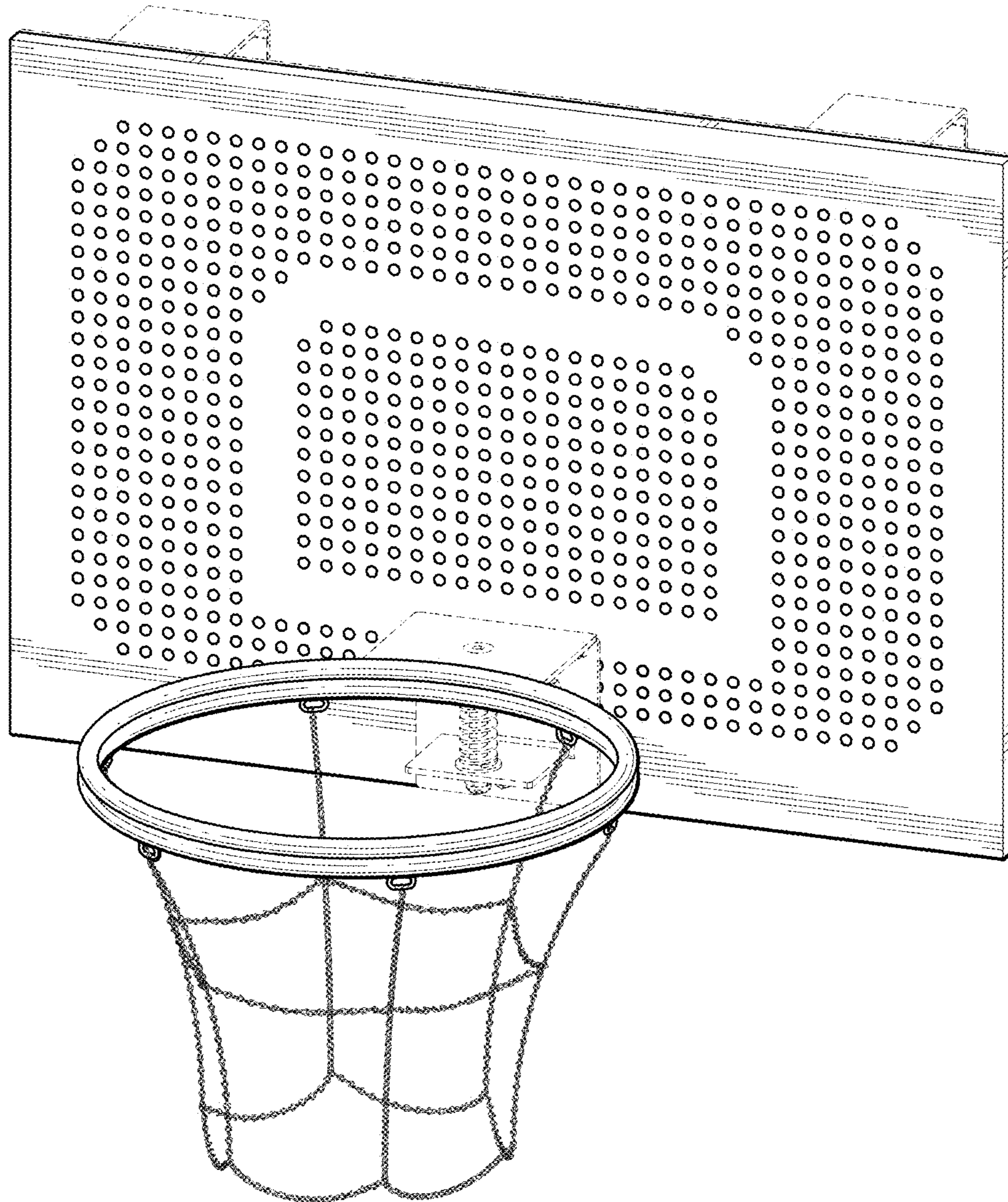


FIG. 9

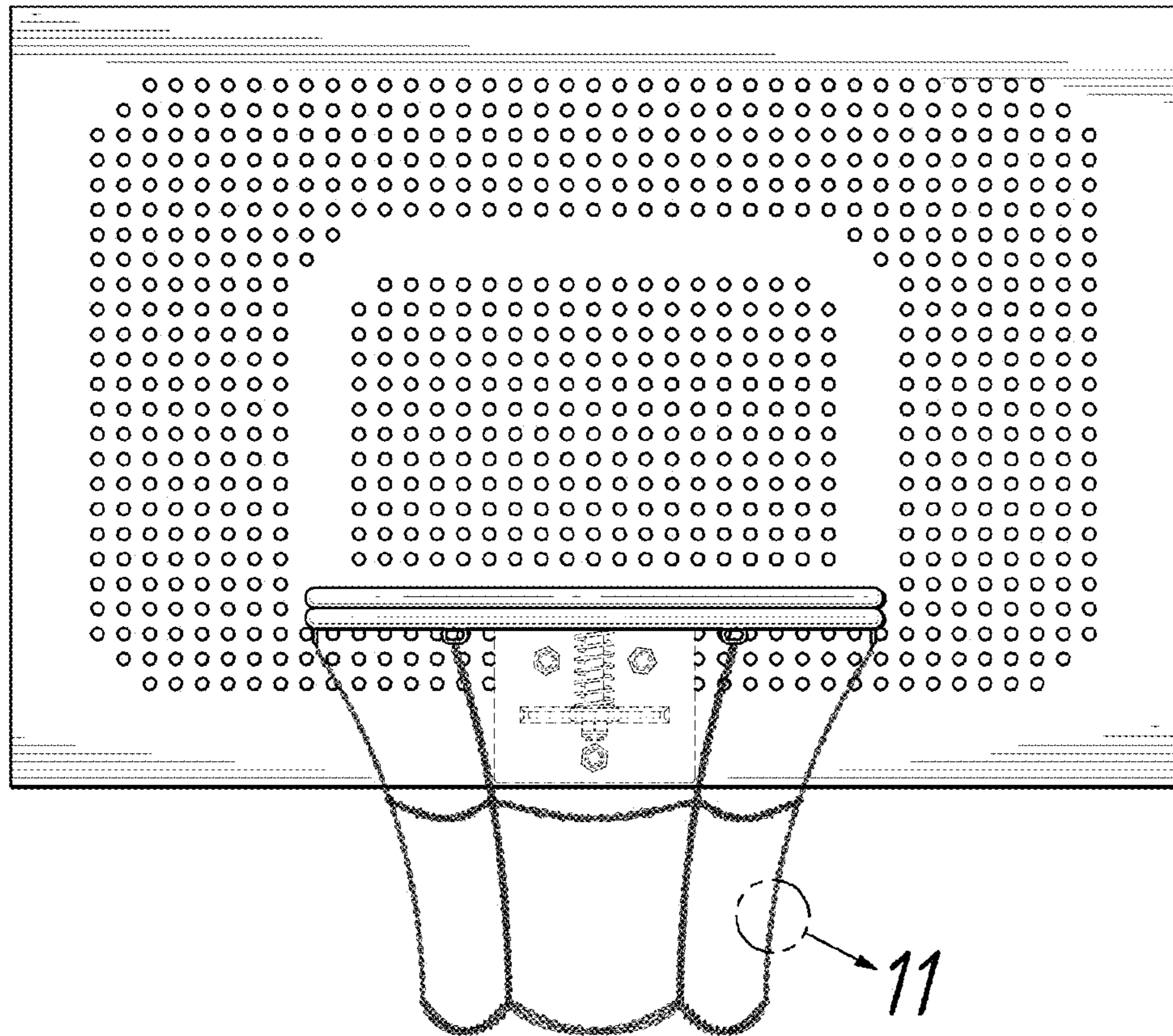


FIG. 10

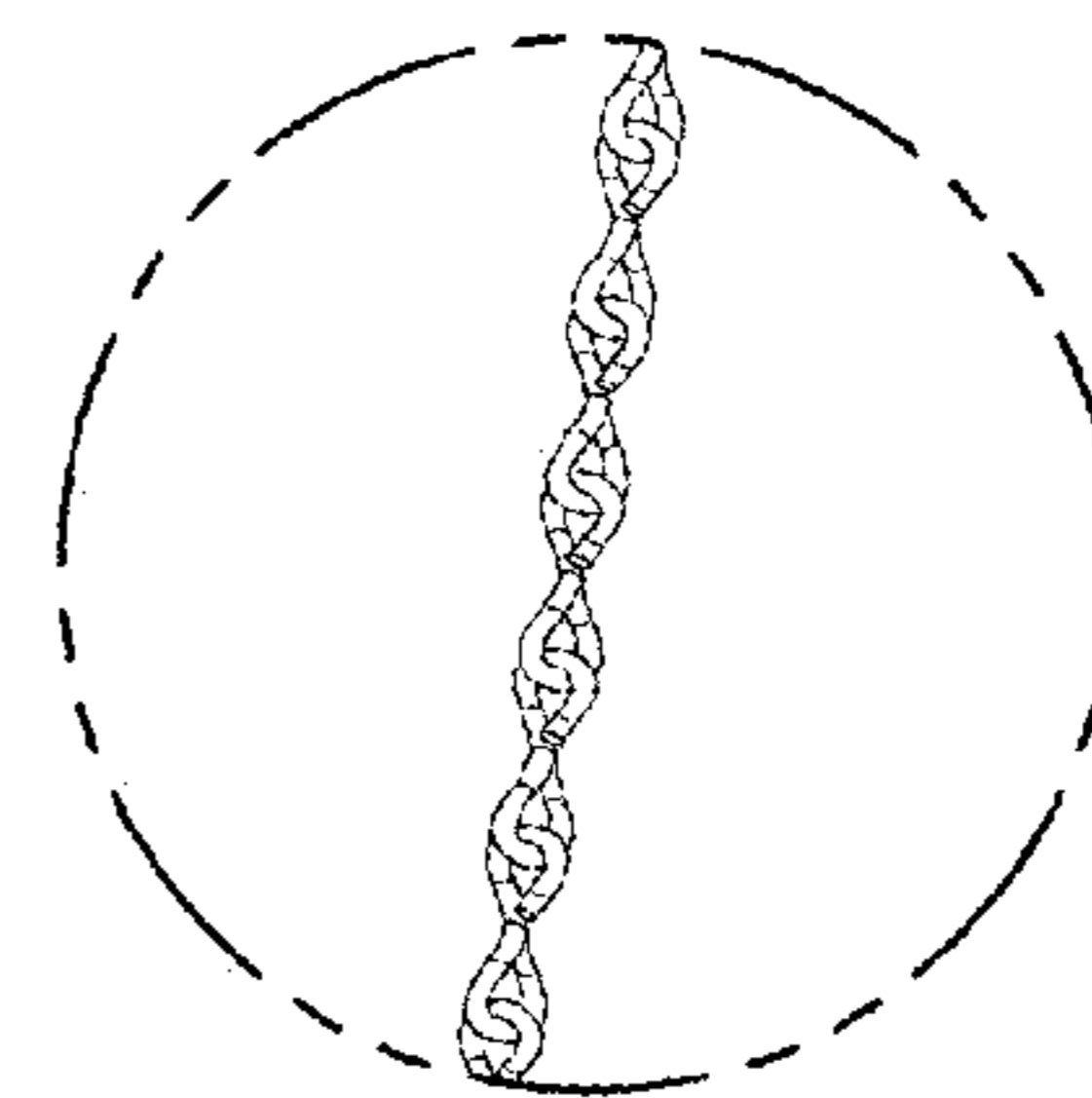


FIG. 11

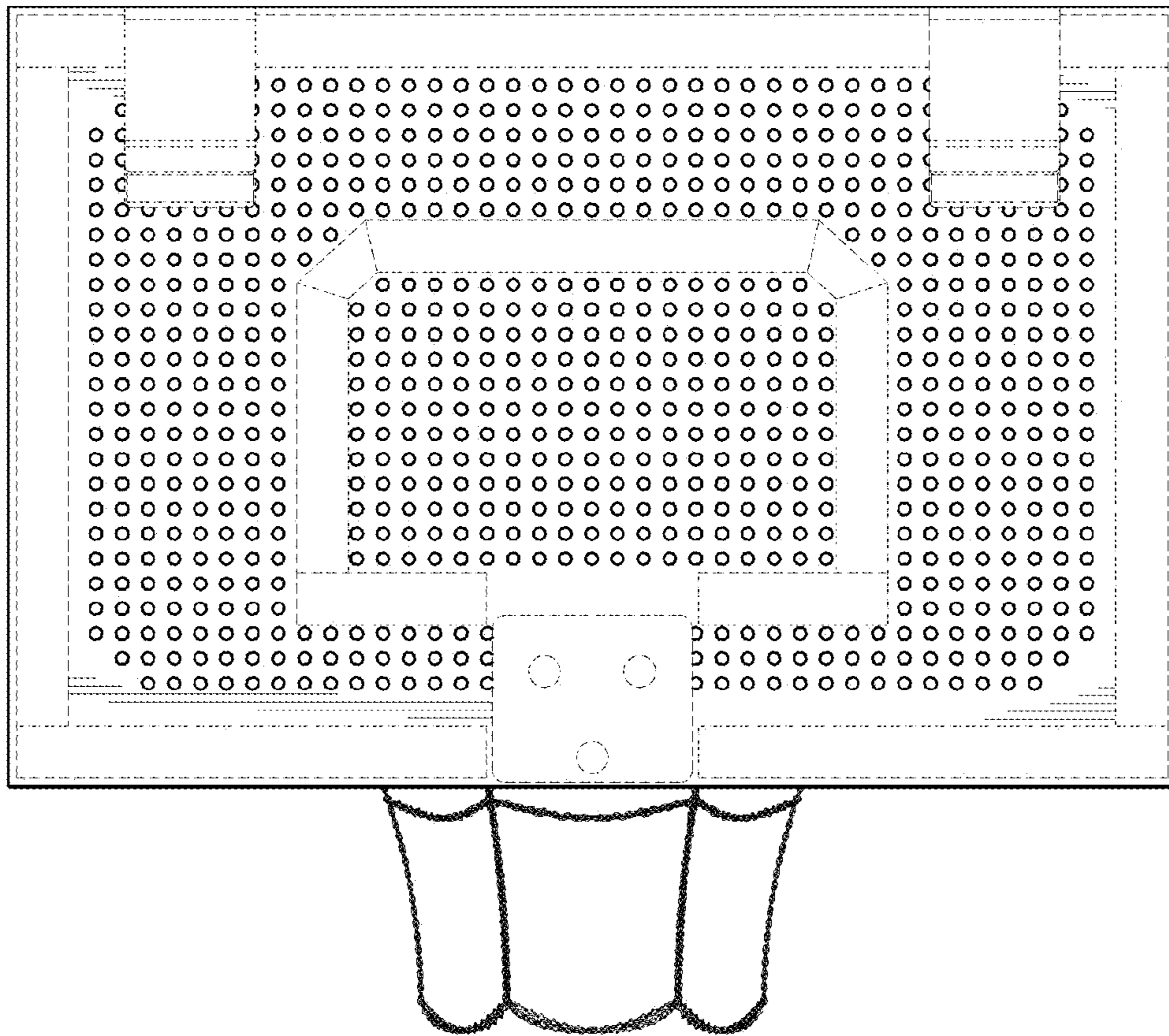


FIG. 12



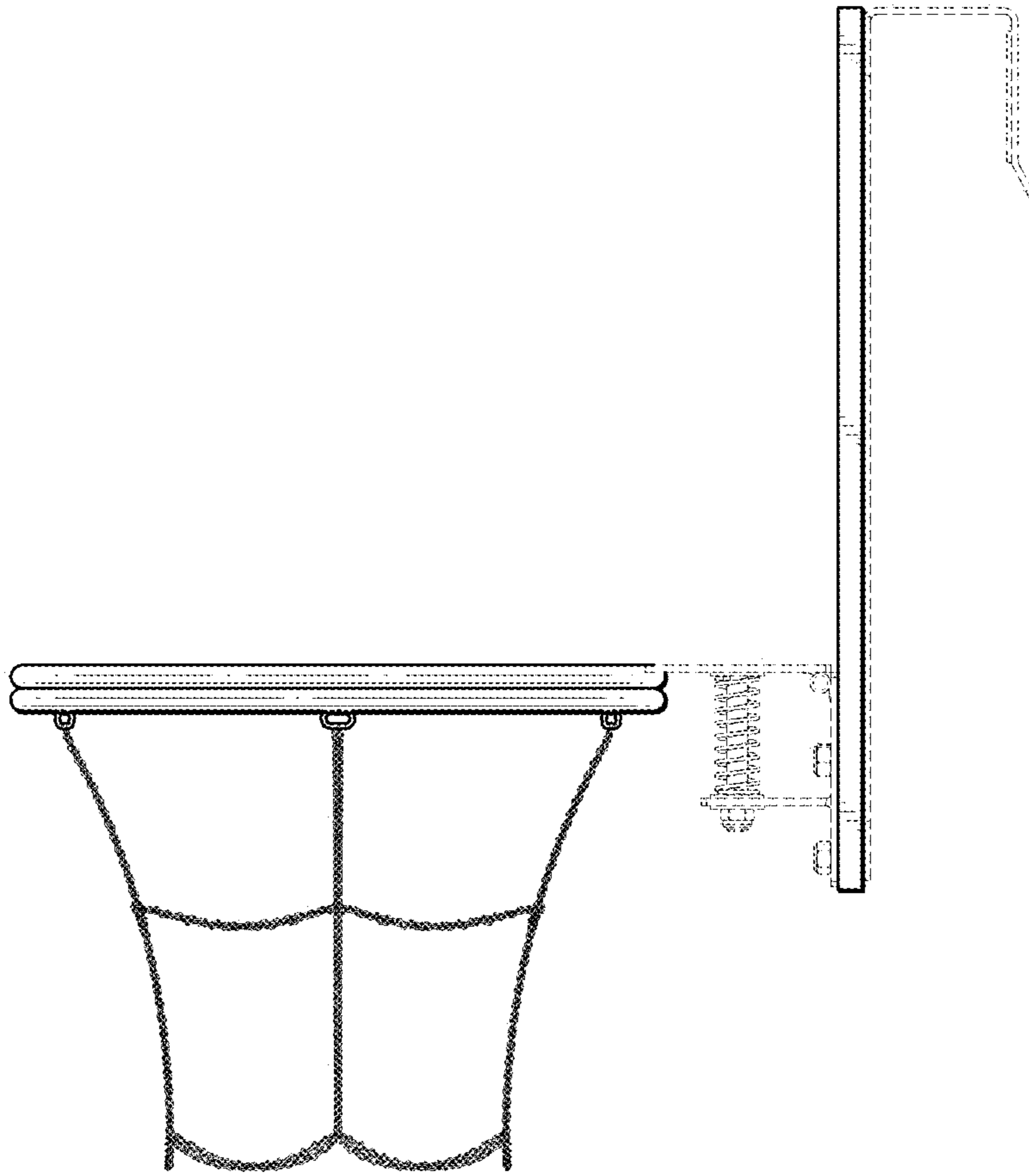


FIG. 13



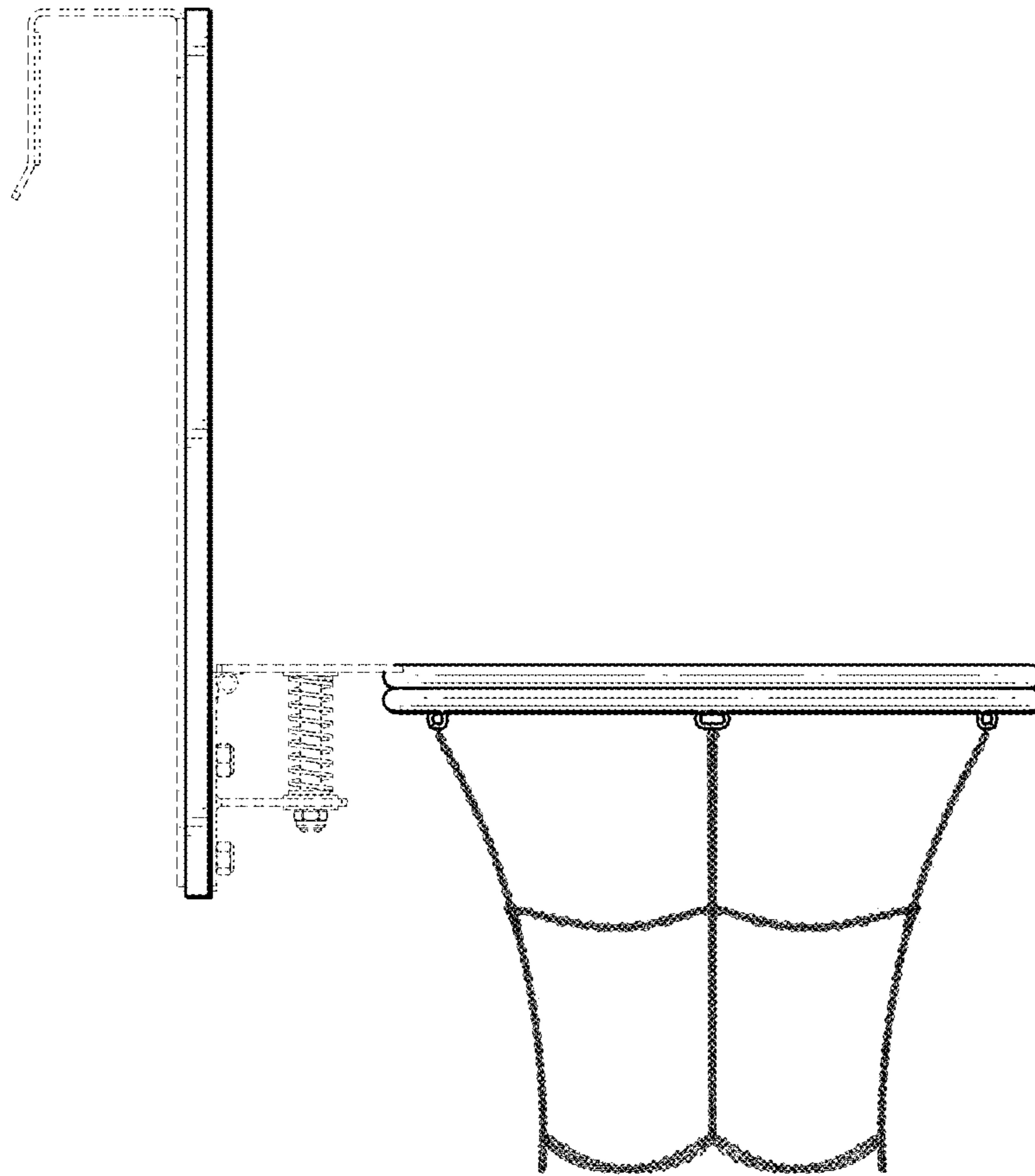
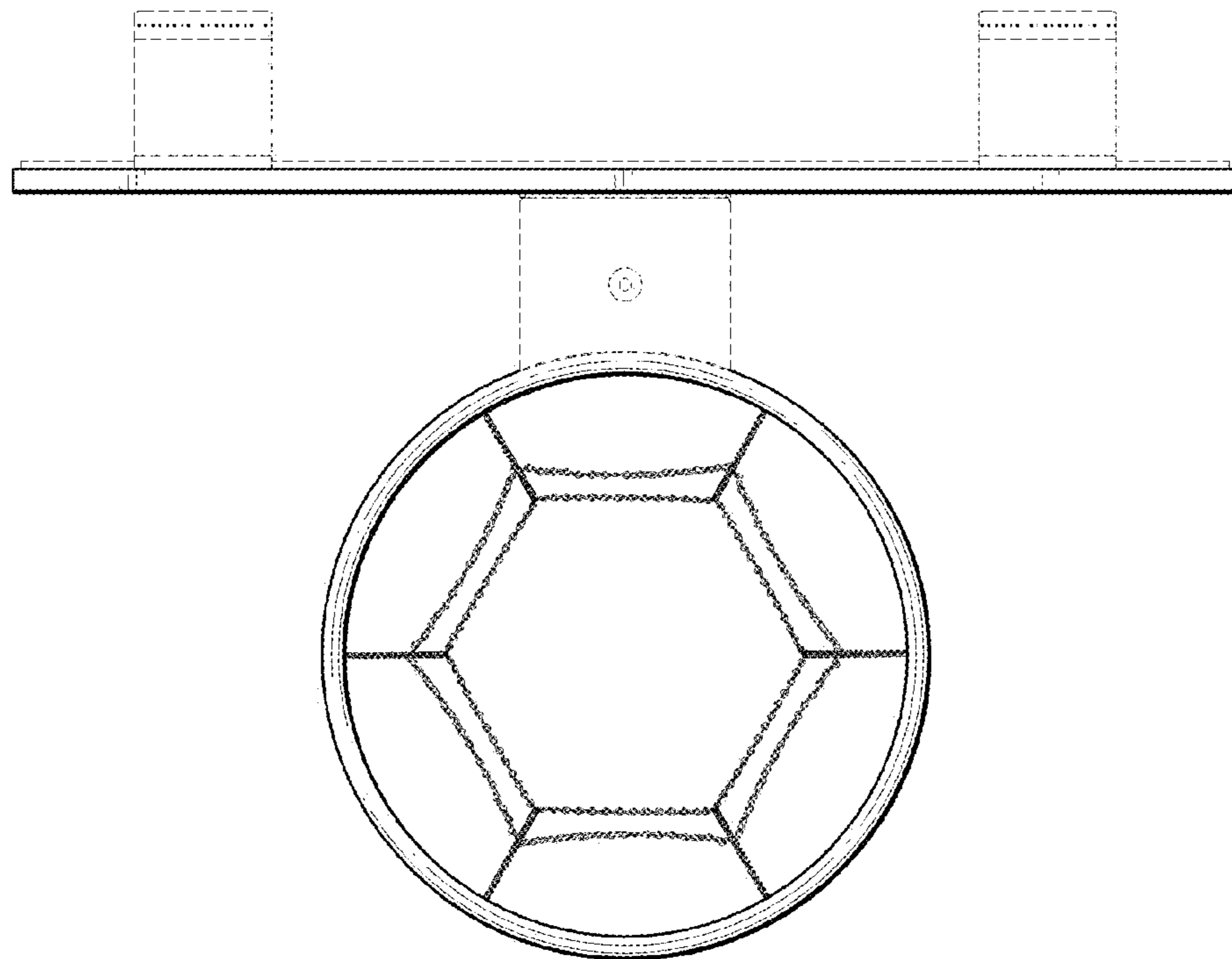
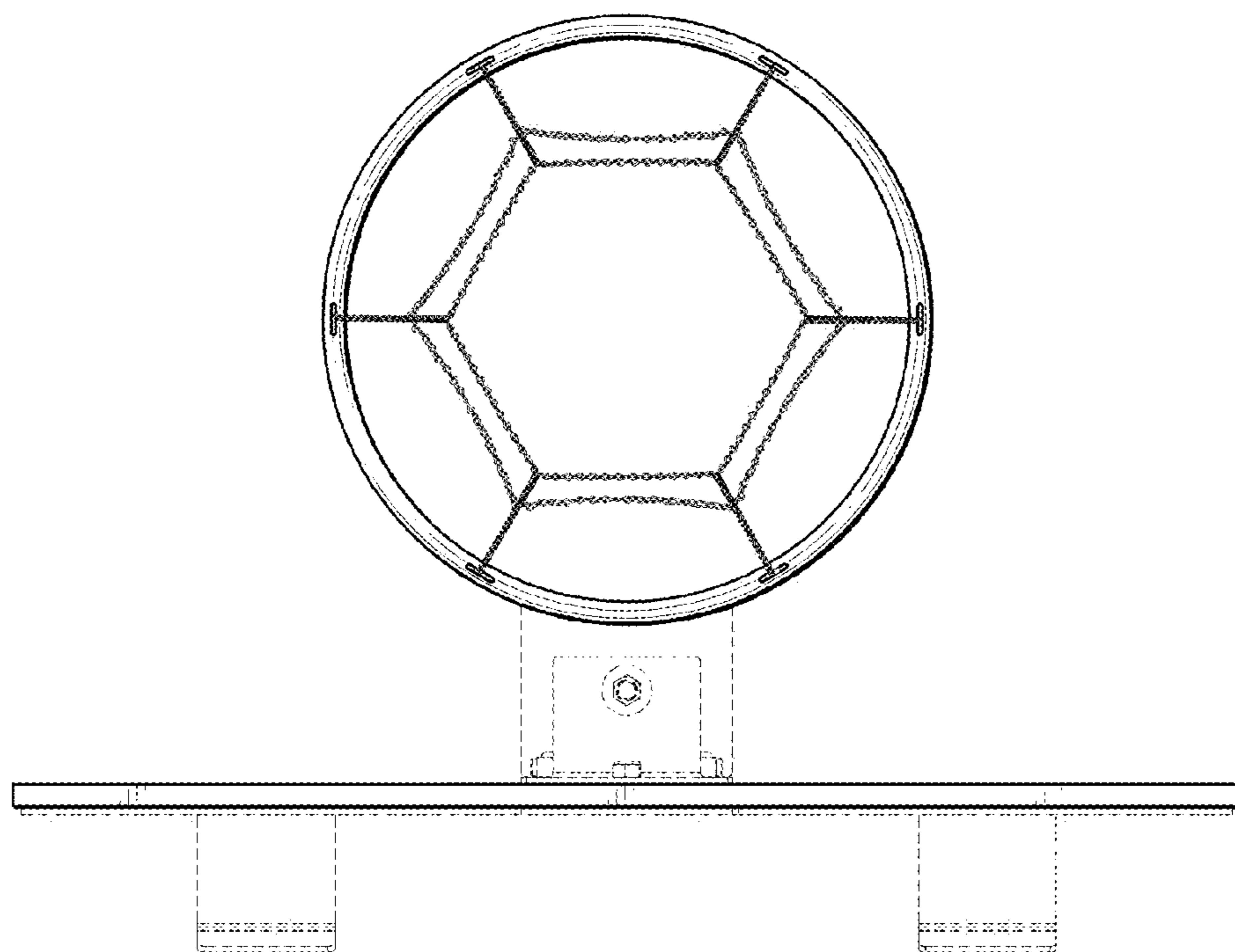


FIG. 14



*FIG. 15*



*FIG. 16*

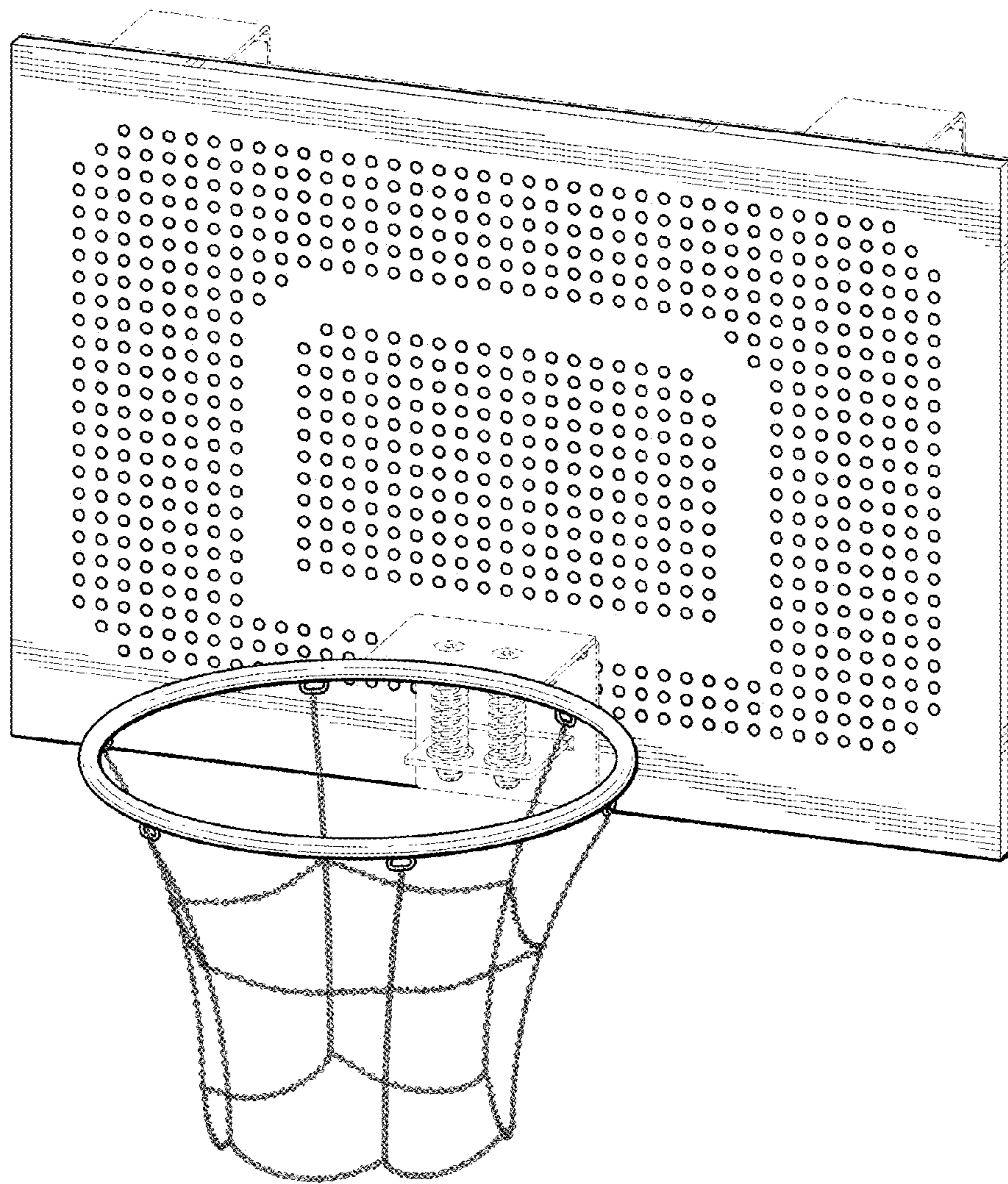


FIG. 17

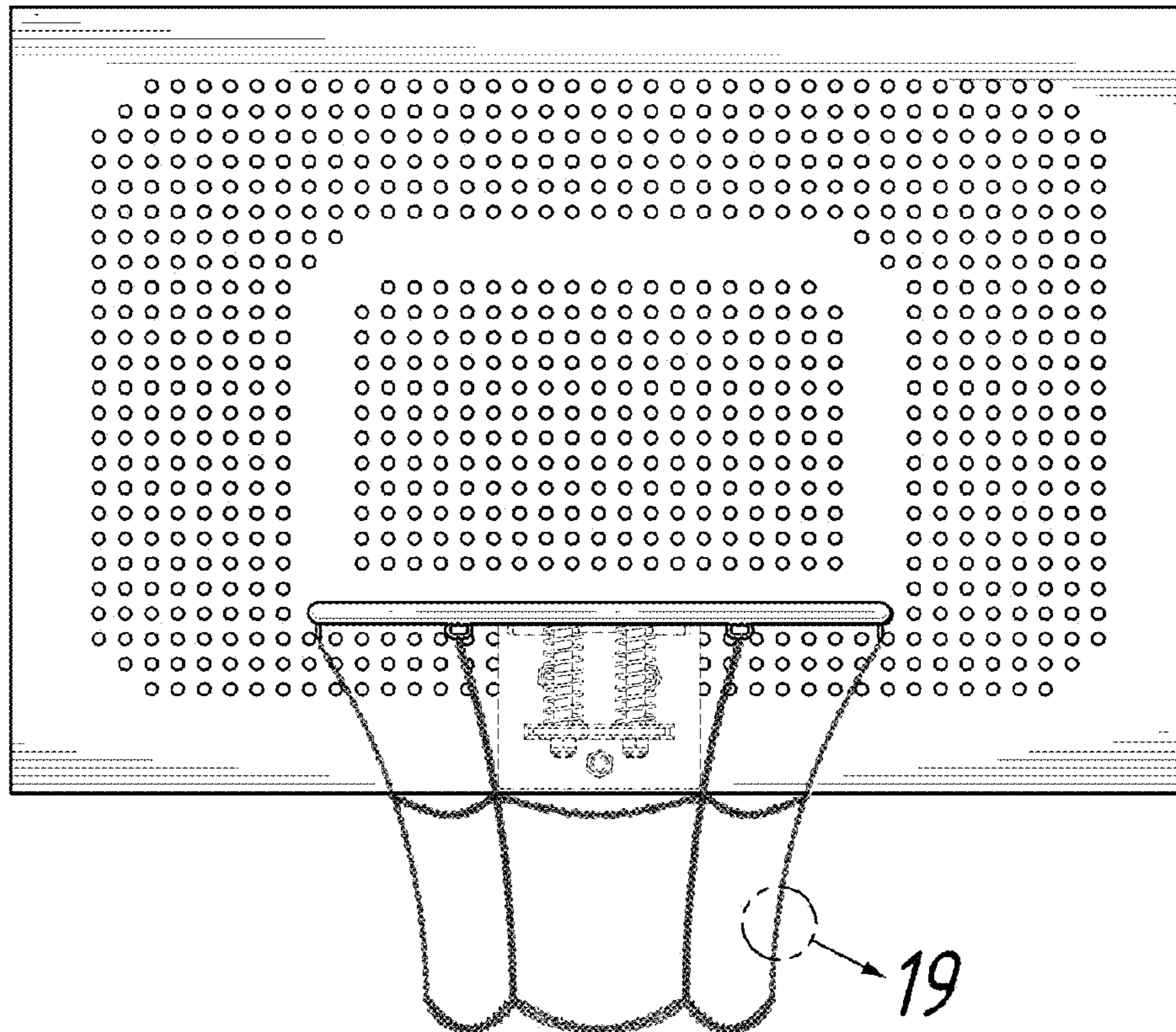


FIG. 18

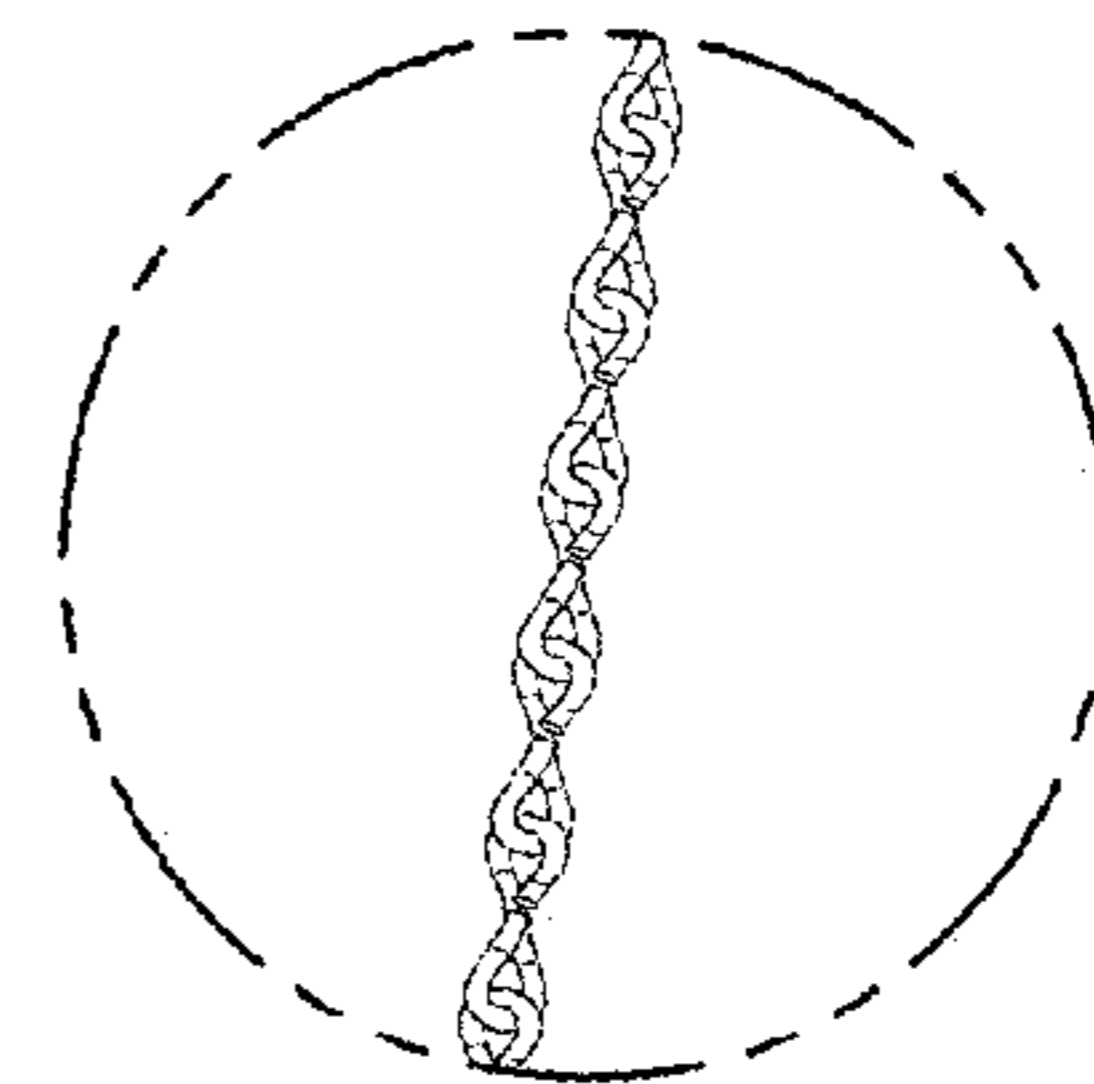


FIG. 19



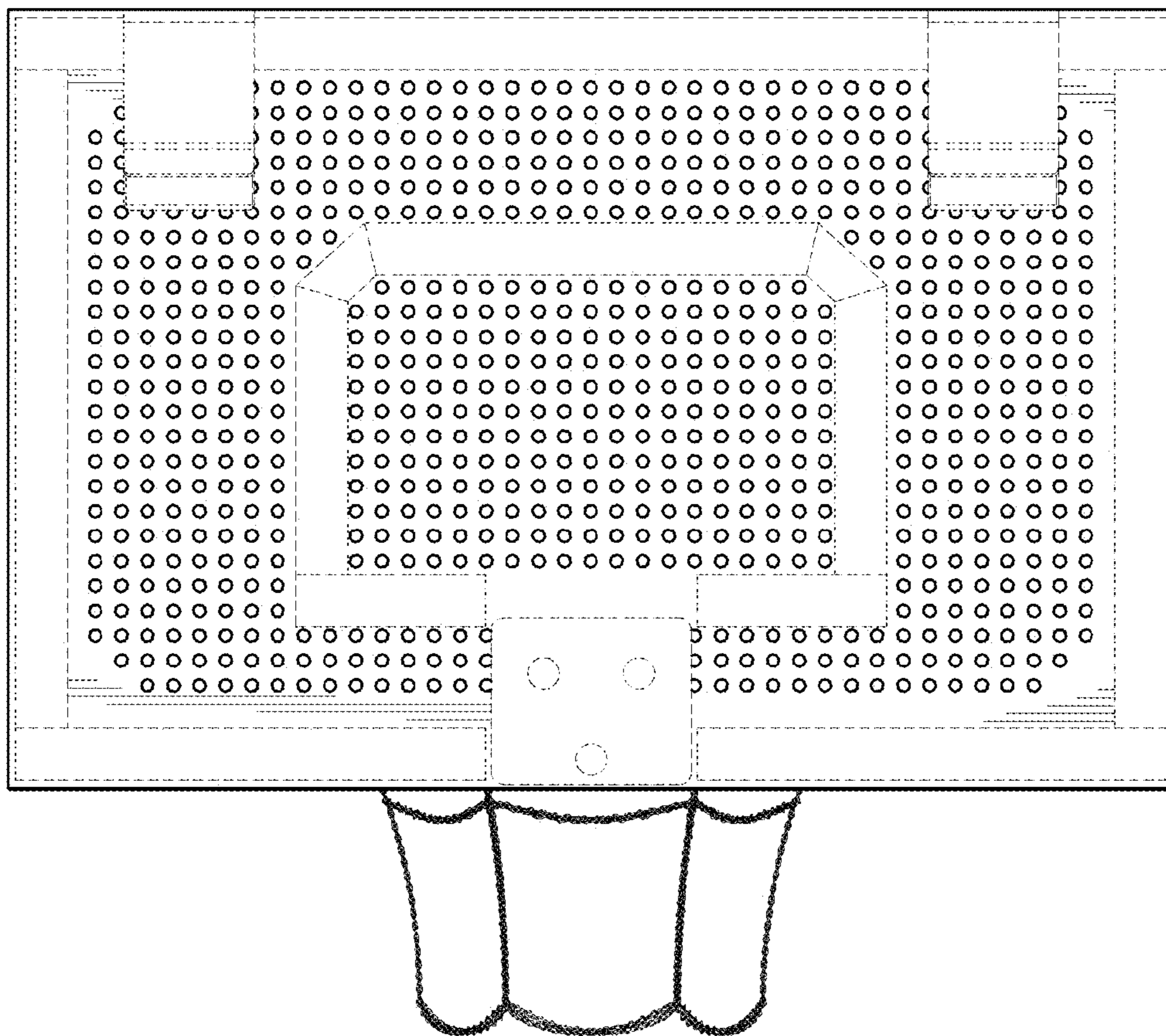
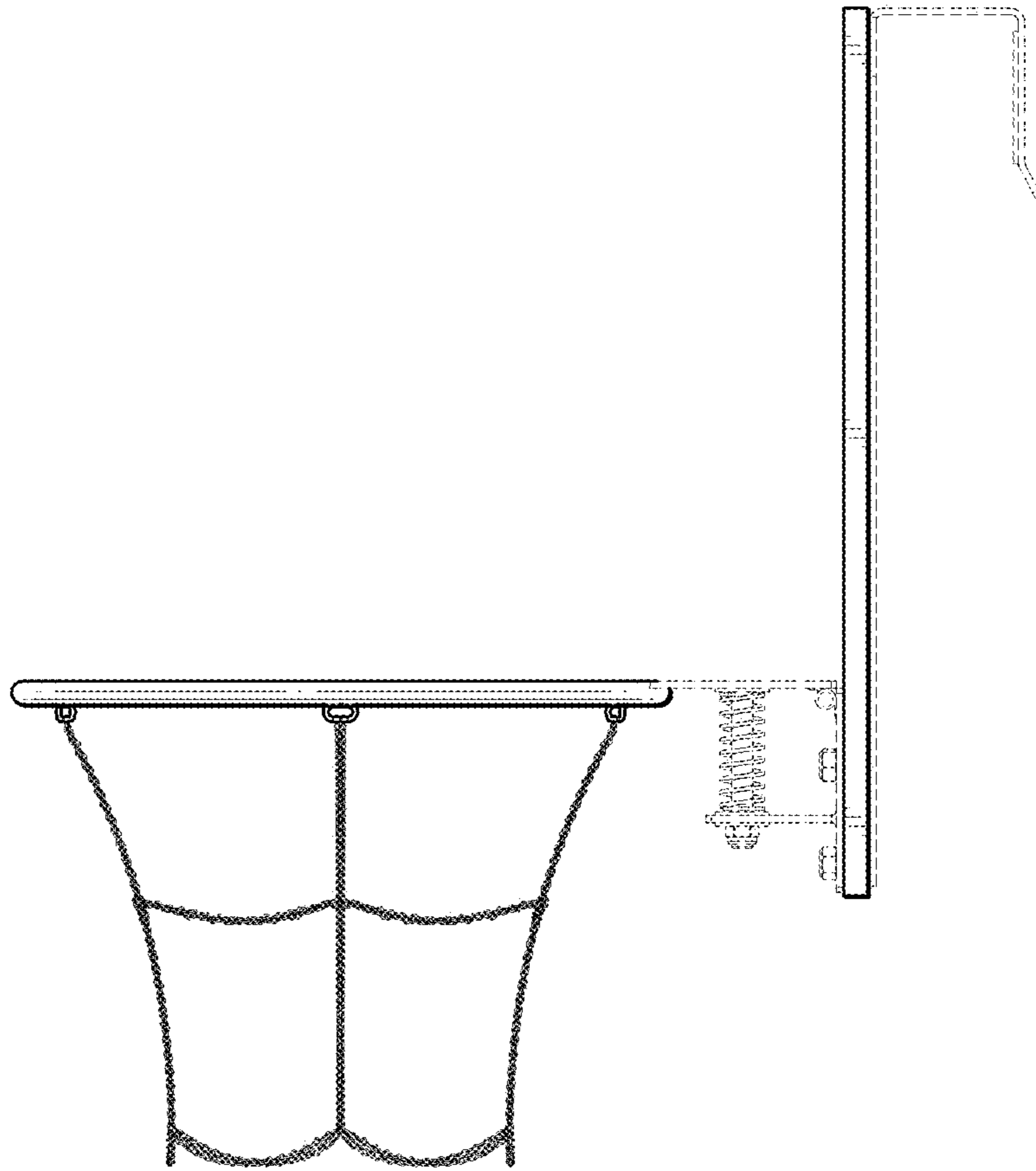


FIG. 20



*FIG. 21*

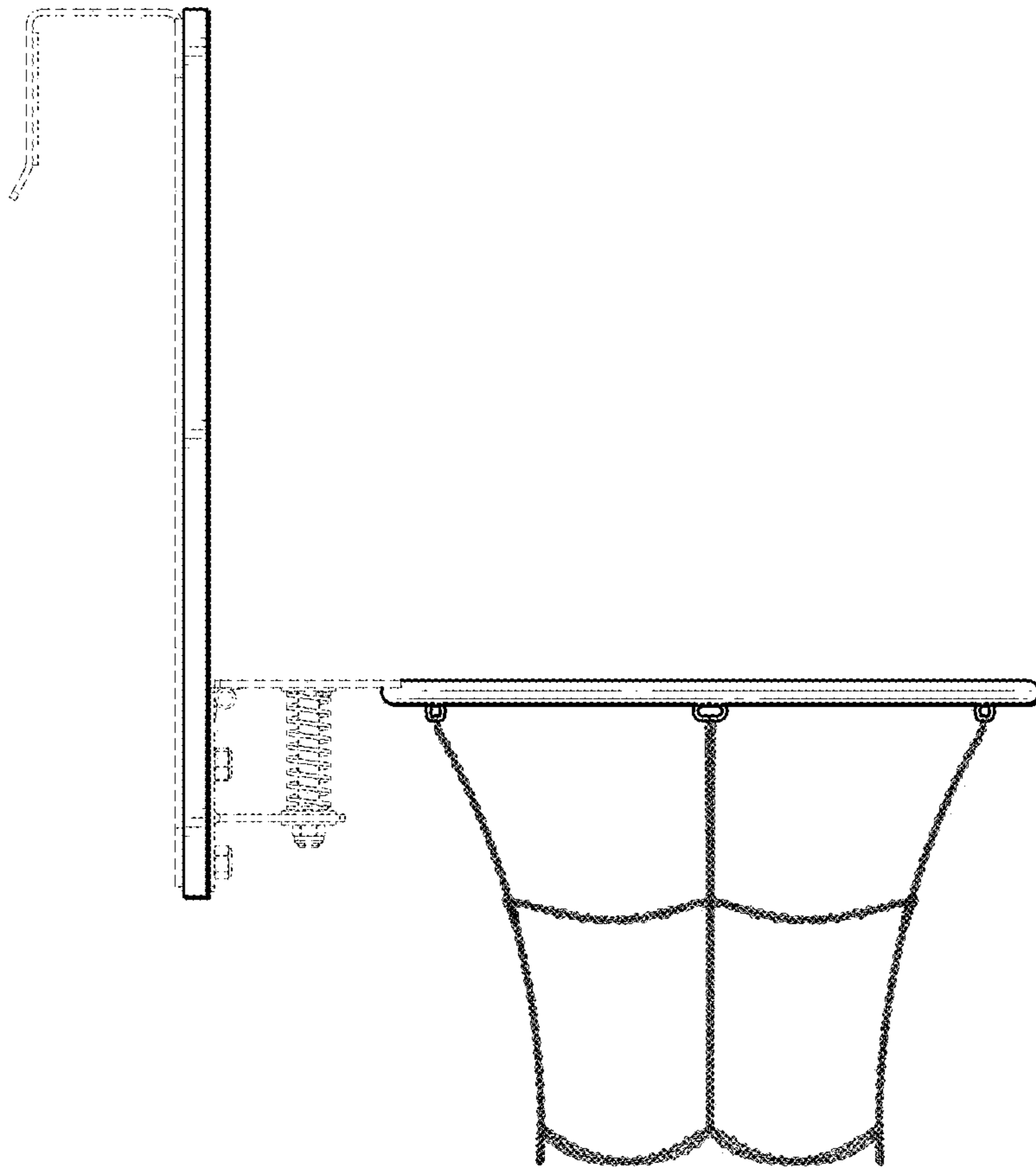
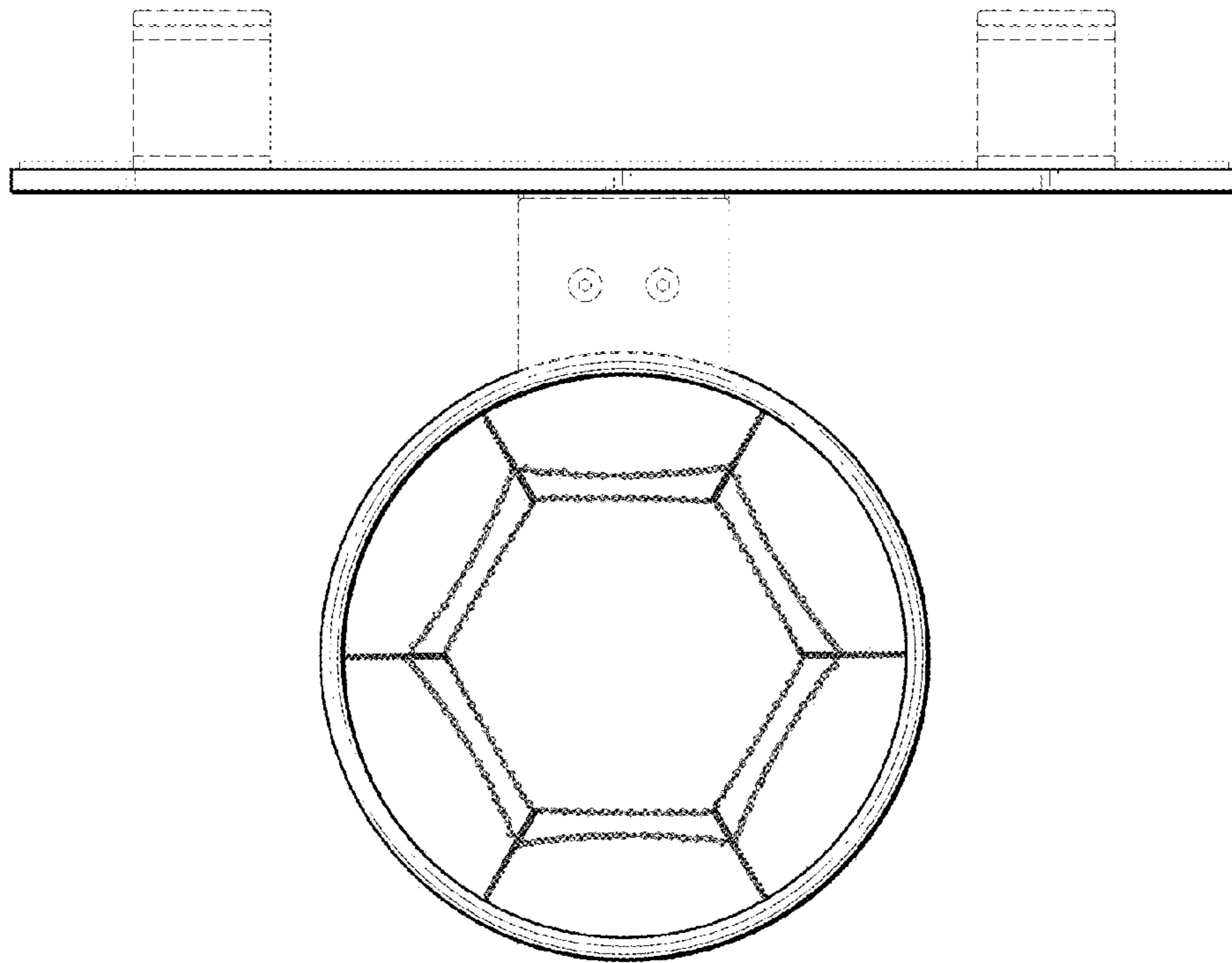
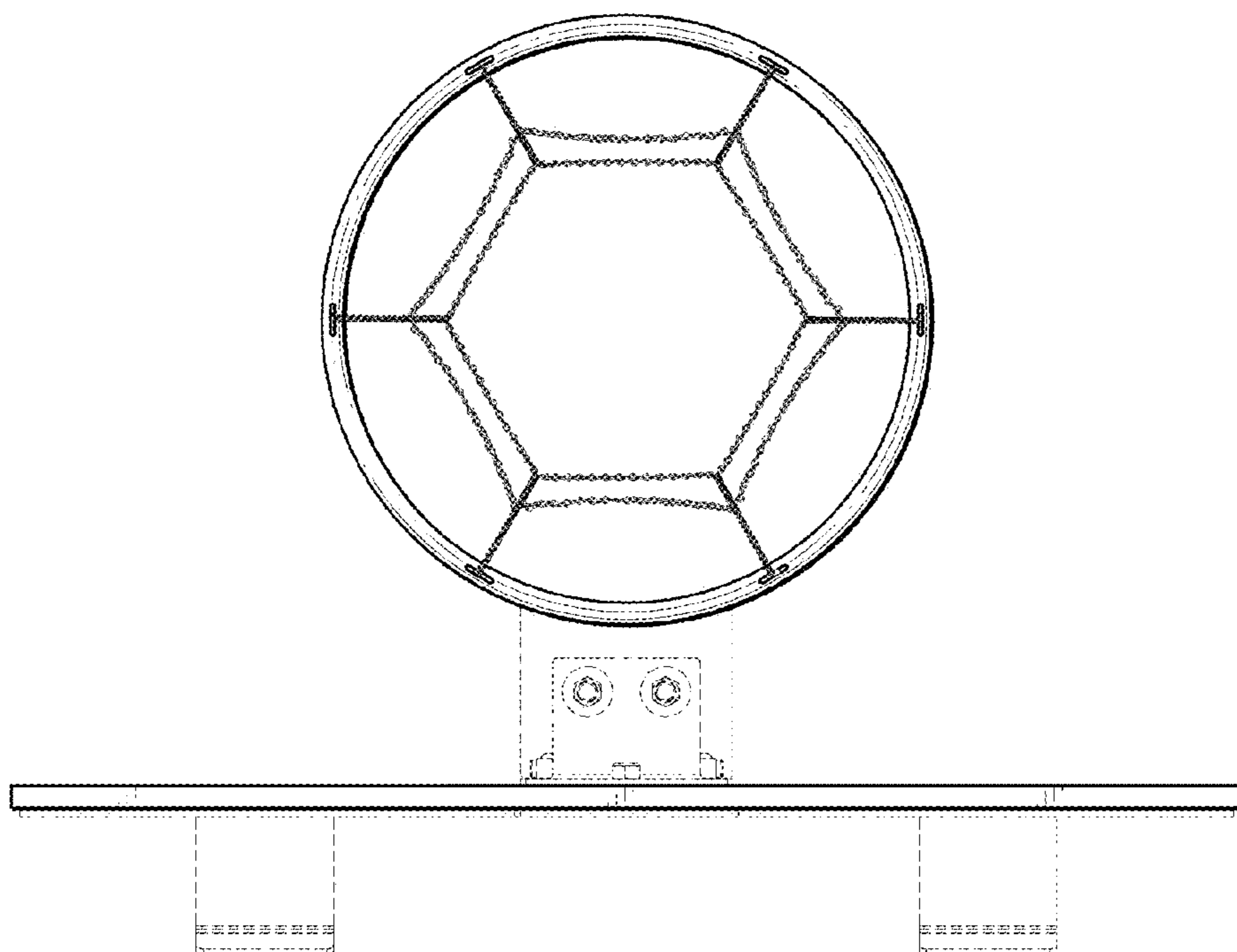


FIG. 22



*FIG. 23*



*FIG. 24*



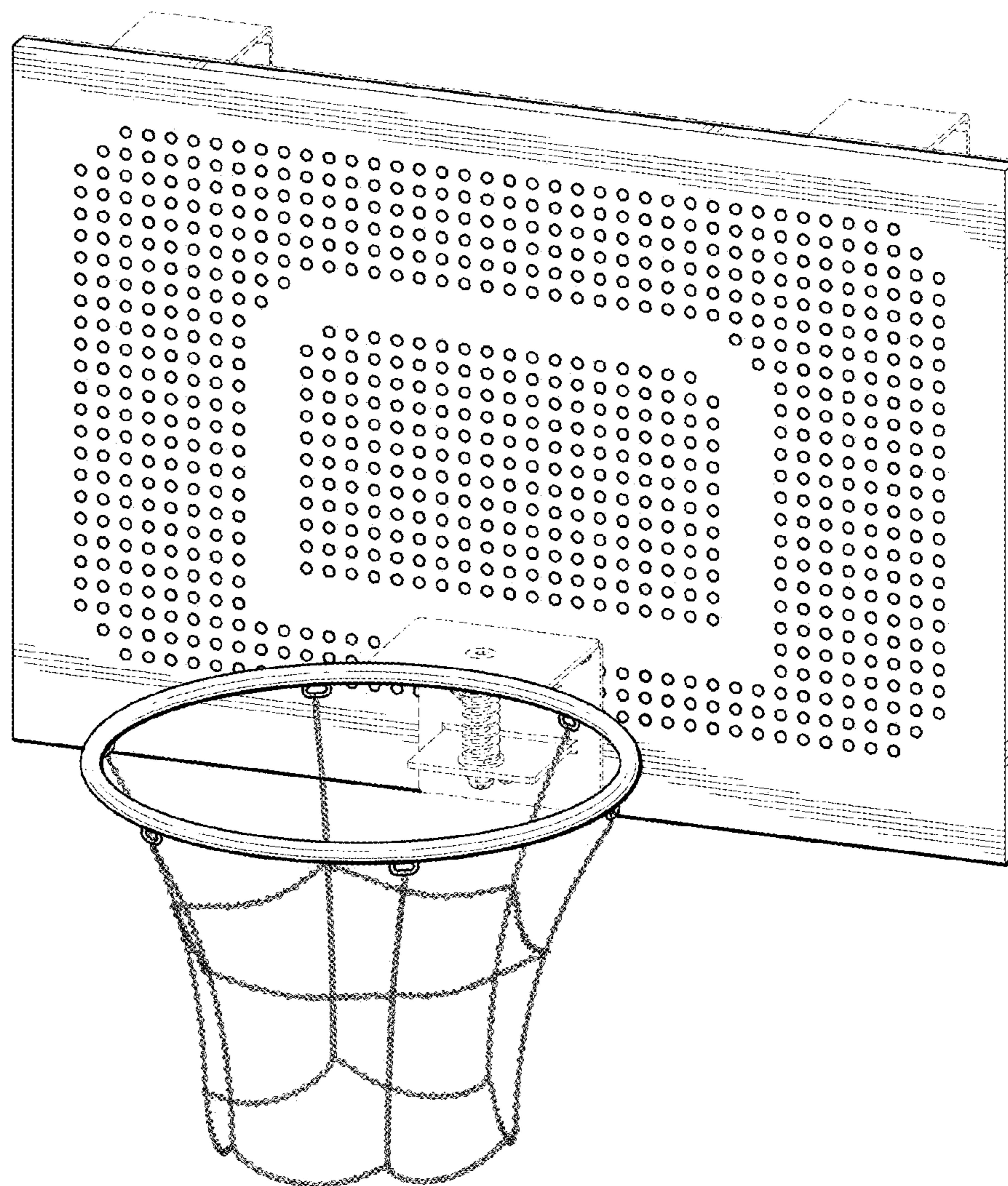


FIG. 25

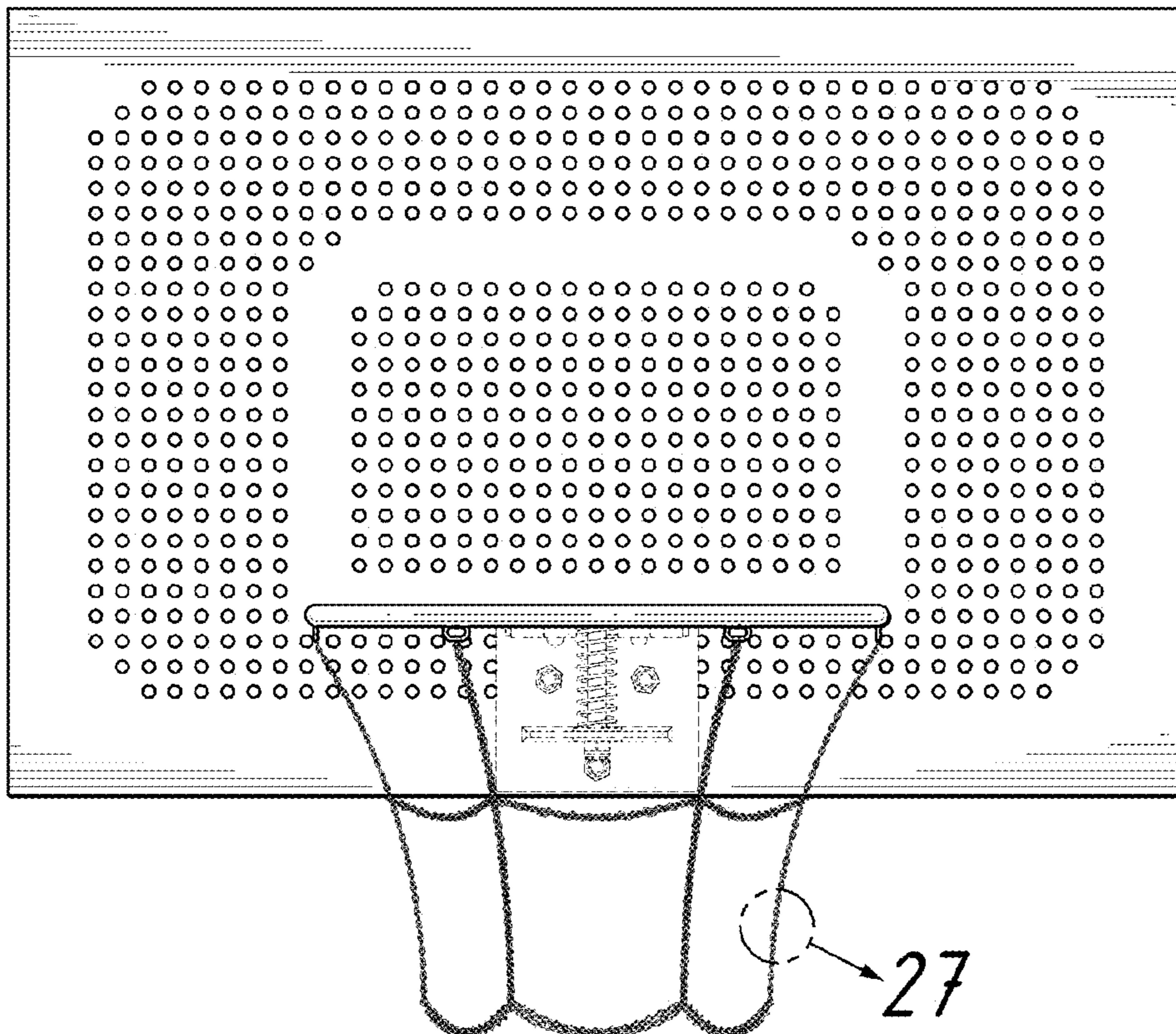


FIG. 26

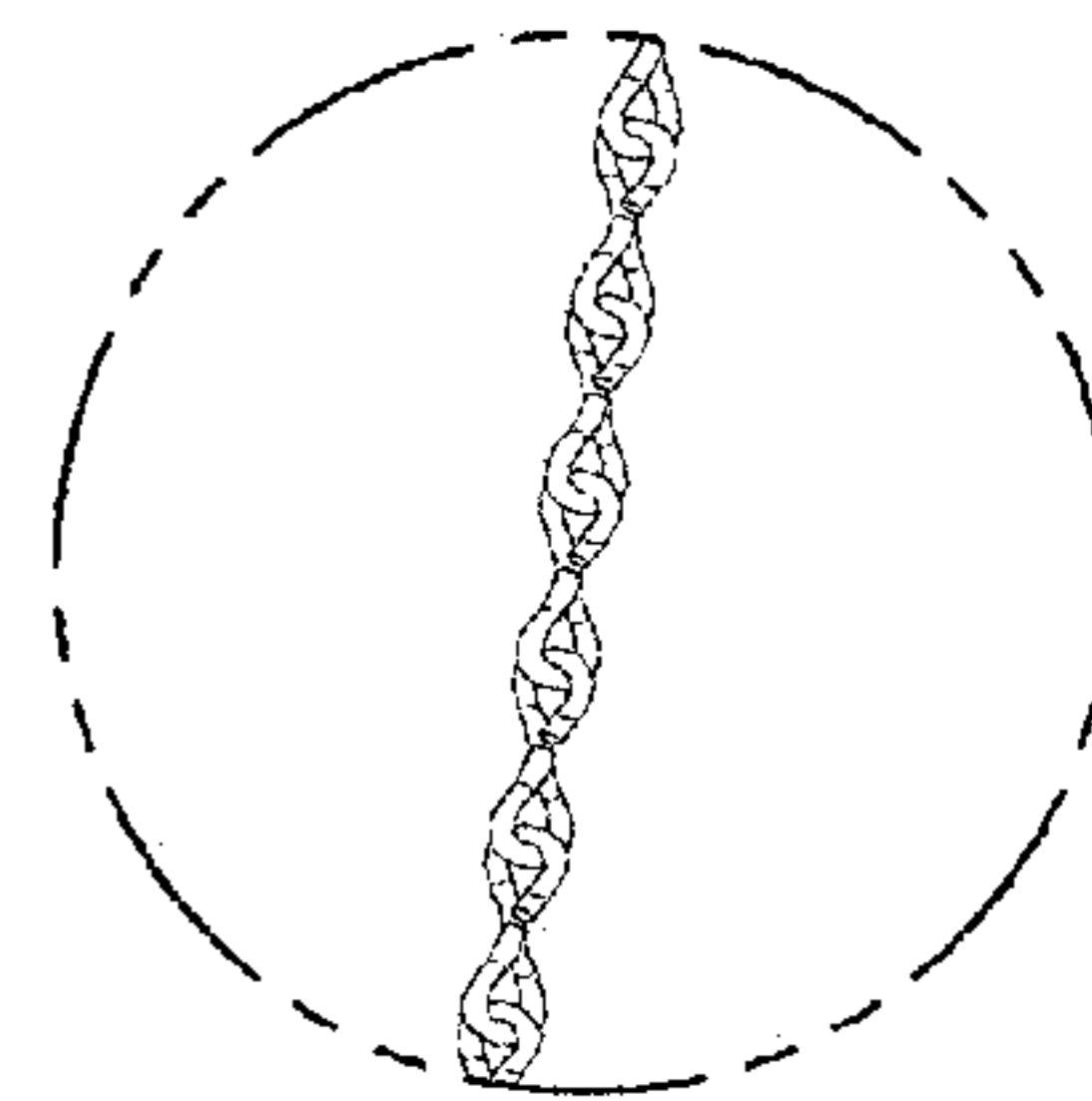


FIG. 27

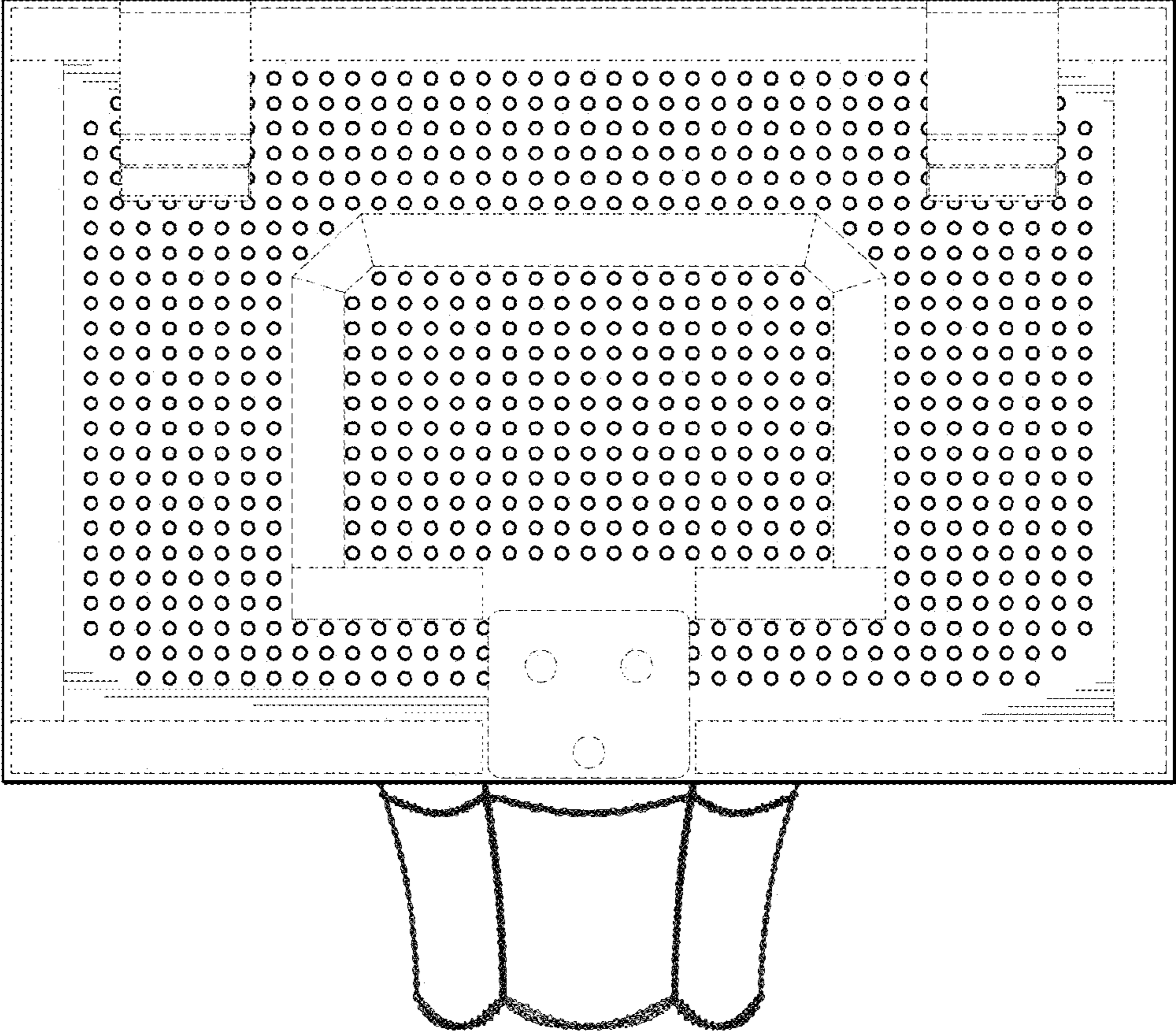


FIG. 28

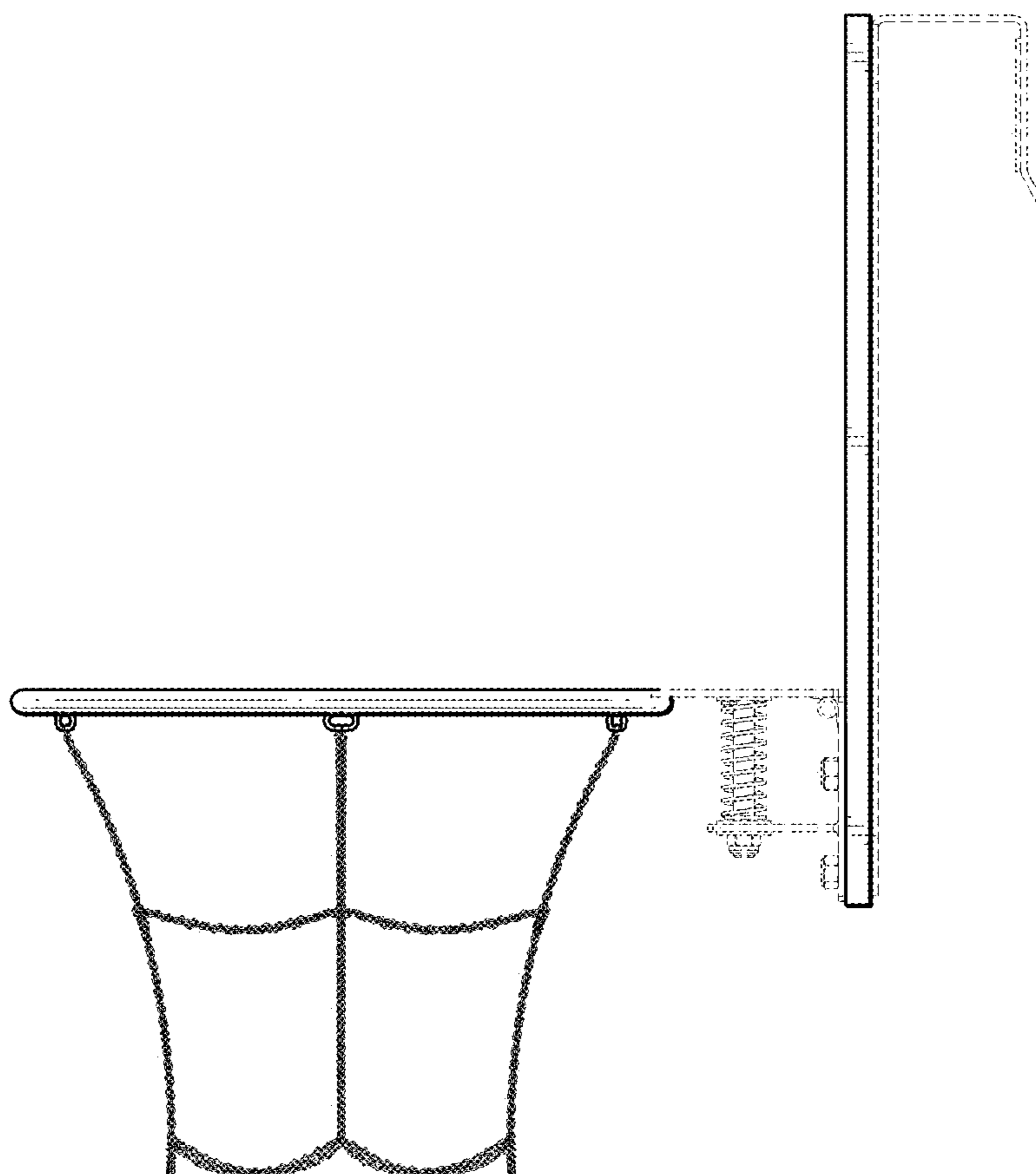
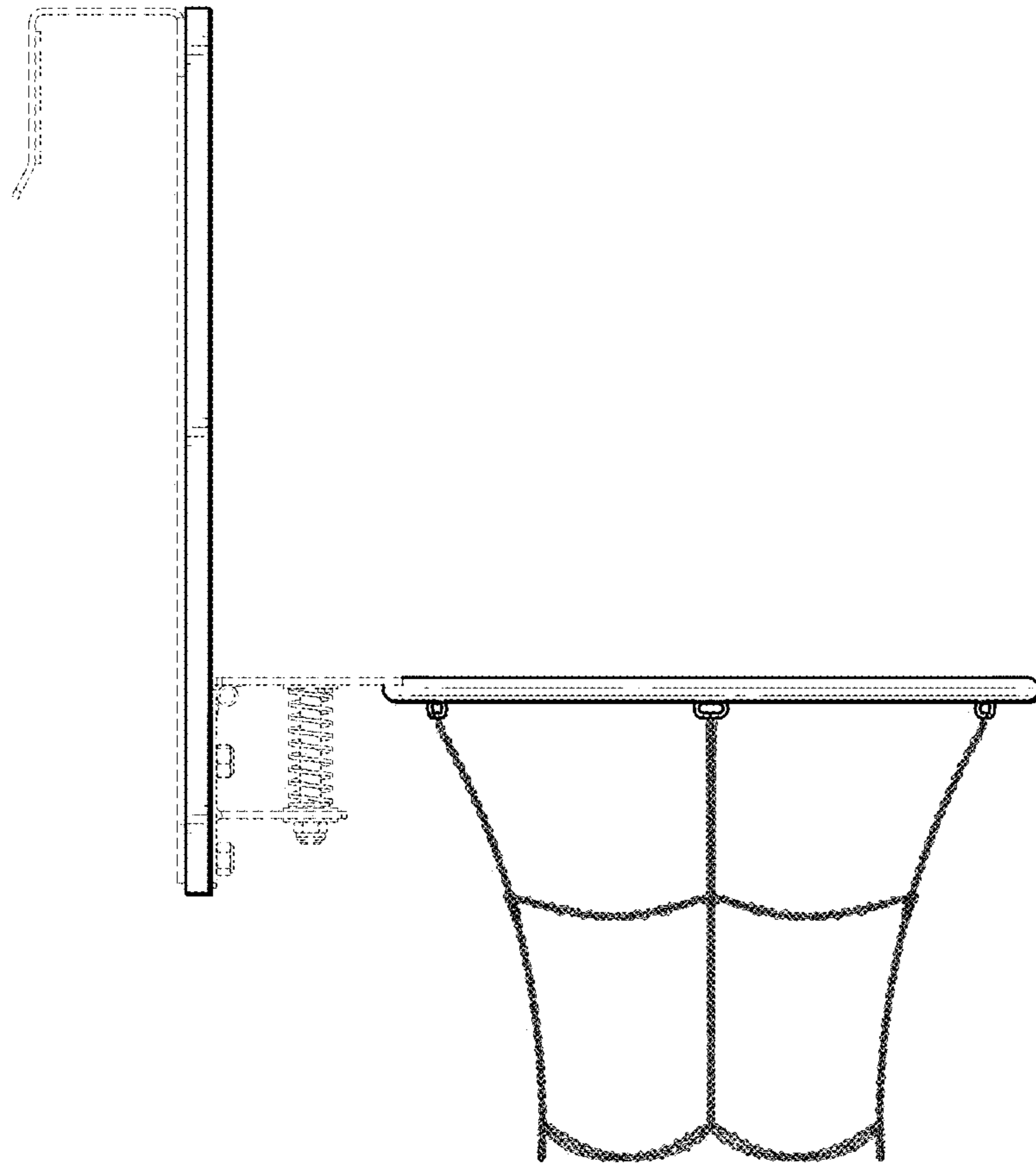
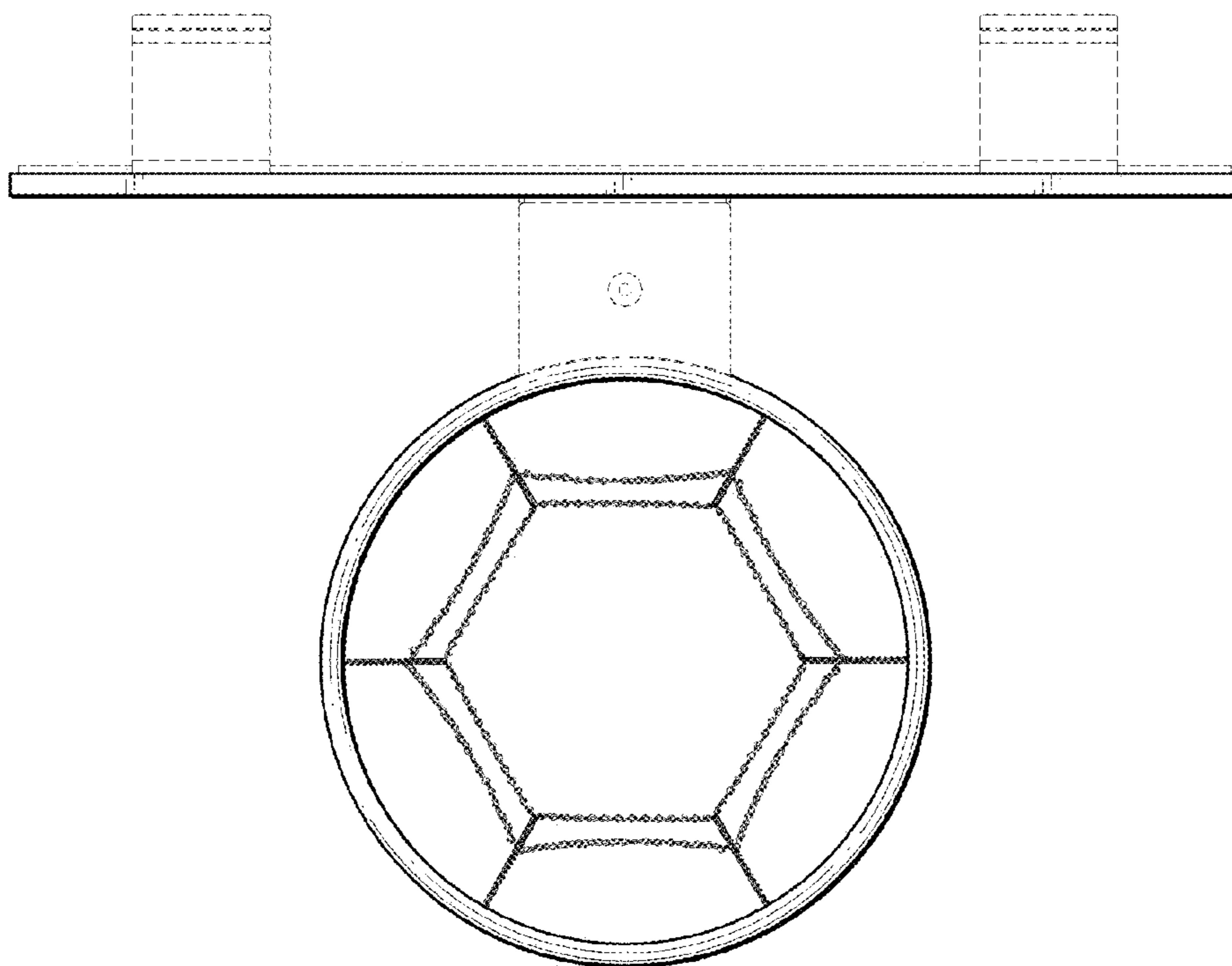


FIG. 29

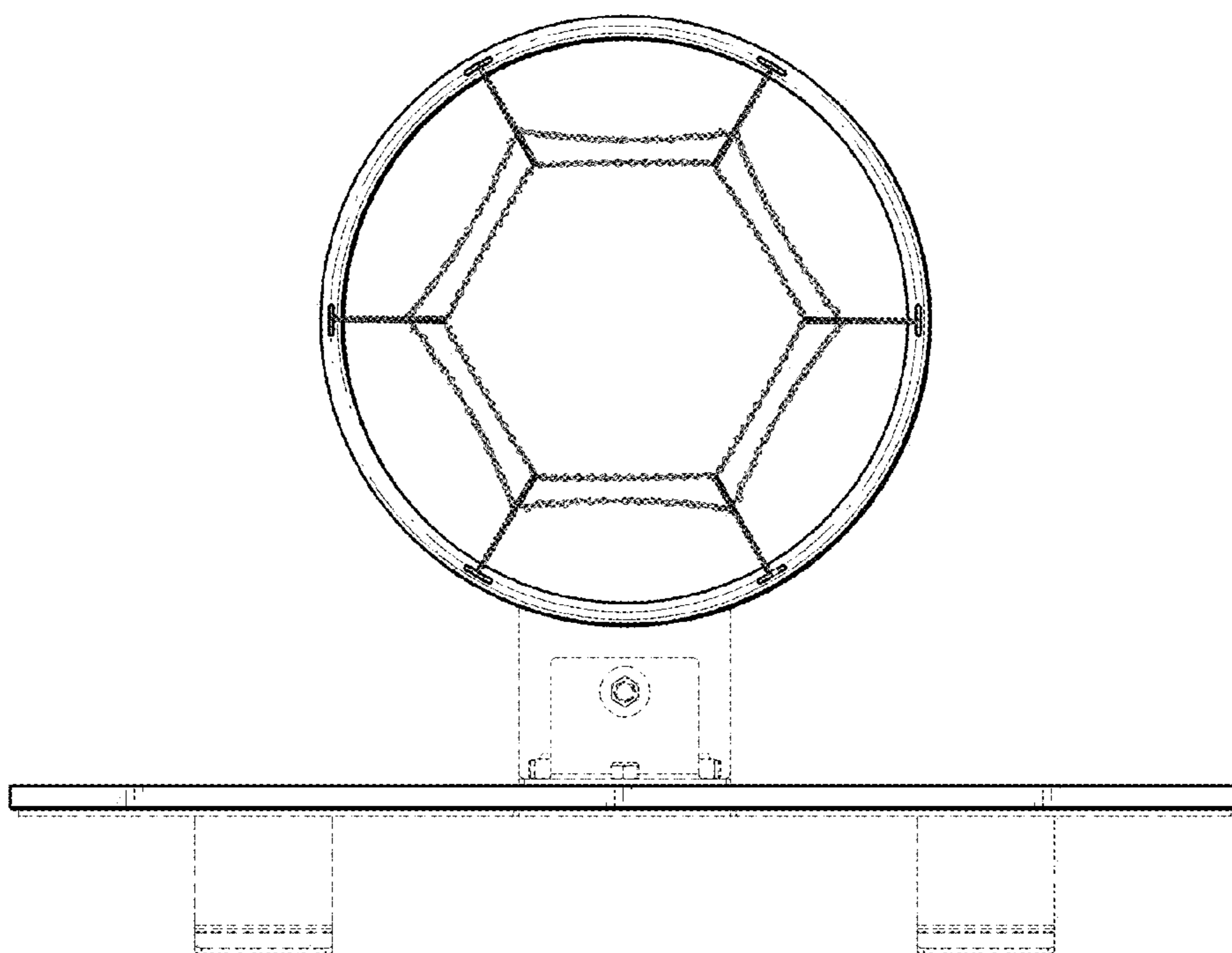




*FIG. 30*



*FIG. 31*



*FIG. 32*