



US00D695850S

(12) **United States Design Patent**
Andersen

(10) **Patent No.:** **US D695,850 S**

(45) **Date of Patent:** **** Dec. 17, 2013**

(54) **PIECE FOR A CONSTRUCTION SET**

(75) Inventor: **Henrik Andersen**, Vorbasse (DK)

(73) Assignee: **Lego A/S**, Billund (DK)

(**) Term: **14 Years**

(21) Appl. No.: **29/422,819**

(22) Filed: **May 24, 2012**

(30) **Foreign Application Priority Data**

Nov. 22, 2001 (EM) 001950981

(51) **LOC (9) Cl.** **21-01**

(52) **U.S. Cl.**
USPC **D21/501**

(58) **Field of Classification Search**

USPC D21/484-485, 488, 489, 491-495,
D21/500-504; D25/113, 114, 118; 446/69,
446/89, 92, 102-128; 434/259, 208, 403;
273/153, 156, 160

See application file for complete search history.

(56) **References Cited**

U.S. PATENT DOCUMENTS

4,606,732 A * 8/1986 Lyman 446/120
D295,993 S * 5/1988 Knudsen D21/501

D333,851 S * 3/1993 Olsen D21/502
D344,769 S * 3/1994 Poulsen D21/502
D364,658 S * 11/1995 Bromso D21/503
5,645,463 A * 7/1997 Olsen 446/104
6,508,689 B1 * 1/2003 Mikkelsen et al. 446/108
D515,634 S * 2/2006 Paterson D21/503
D608,400 S * 1/2010 Ryaa D21/500

* cited by examiner

Primary Examiner — Cynthia M Chin

(74) *Attorney, Agent, or Firm* — Day Pitney LLP

(57) **CLAIM**

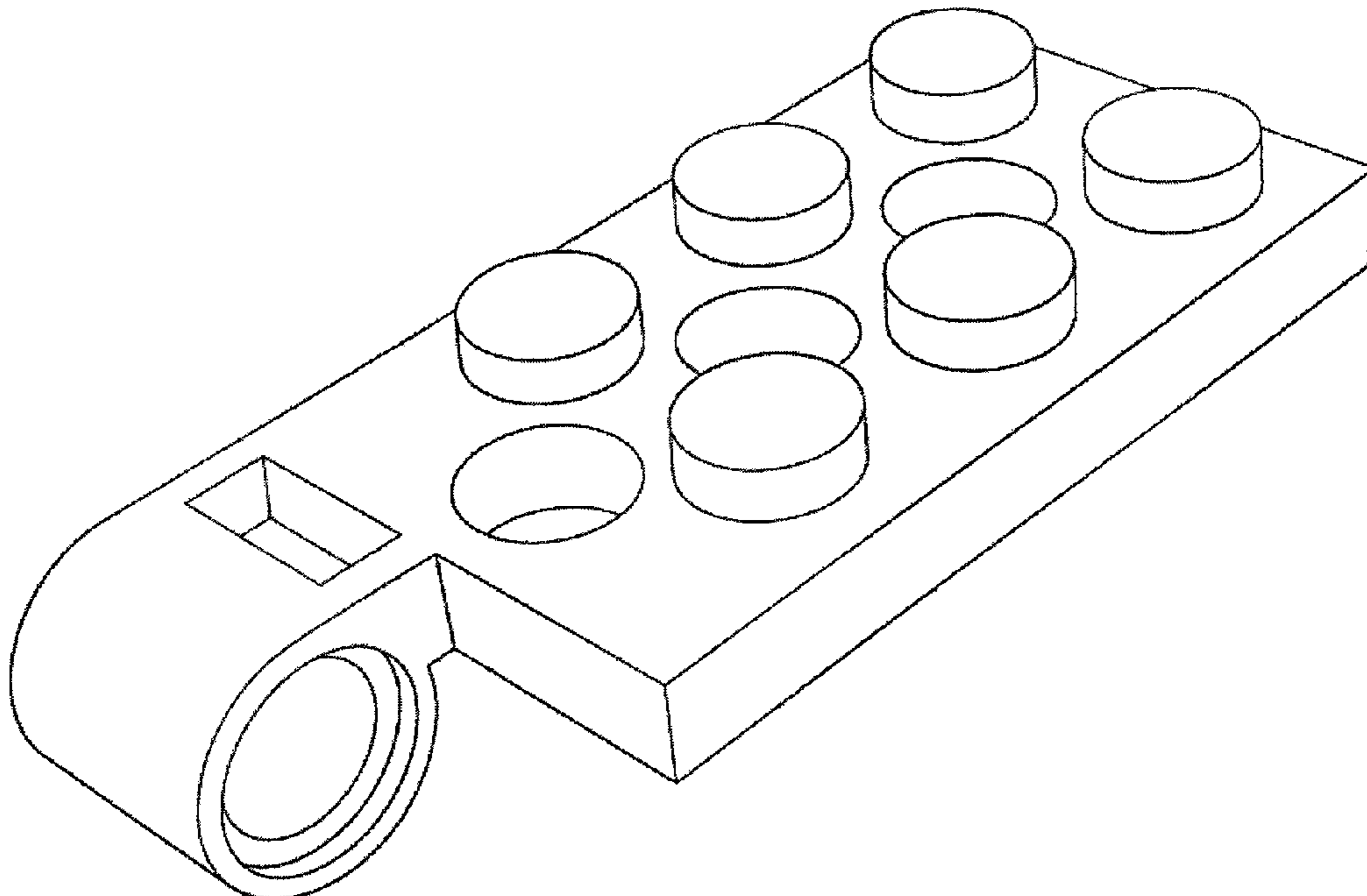
The ornamental design for a piece for a construction set, as shown and described.

DESCRIPTION

FIG. 1 is a front perspective view of my ornamental design for a piece for a construction set;
FIG. 2 is a front view thereof;
FIG. 3 is a right side view thereof;
FIG. 4 is a rear view thereof;
FIG. 5 is a left side view thereof;
FIG. 6 is a top plan view thereof; and,
FIG. 7 is a bottom plan view thereof.

The broken lines in each of the figures are for environmental purposes only and form no part of the claimed design.

1 Claim, 7 Drawing Sheets



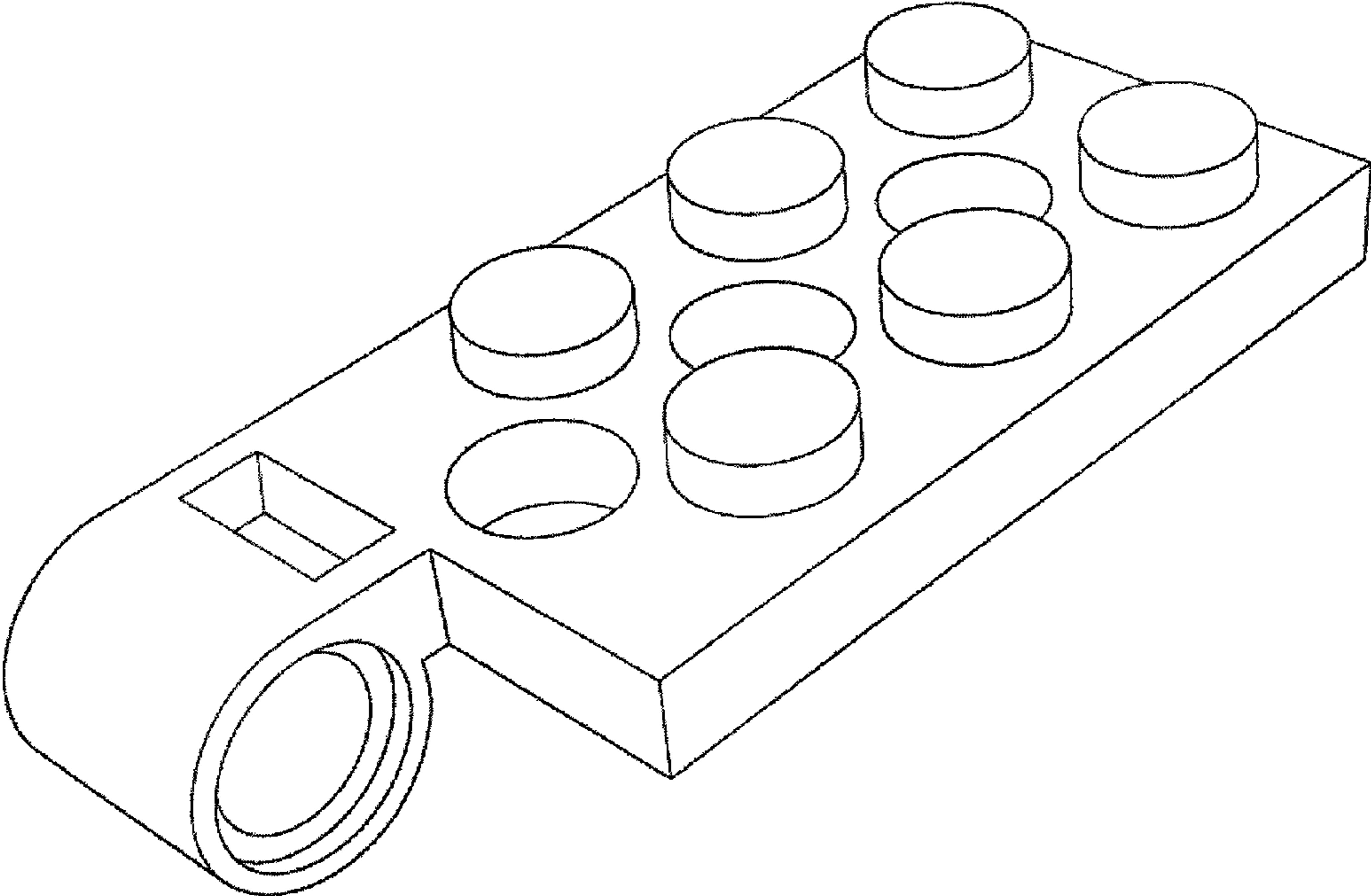


FIG. 1

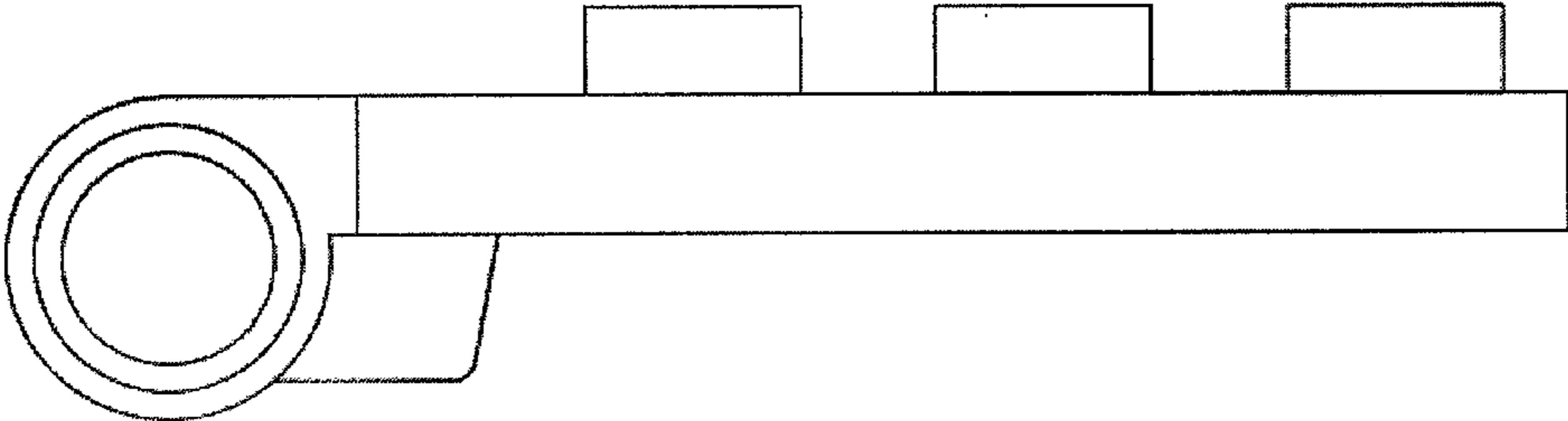


FIG. 2

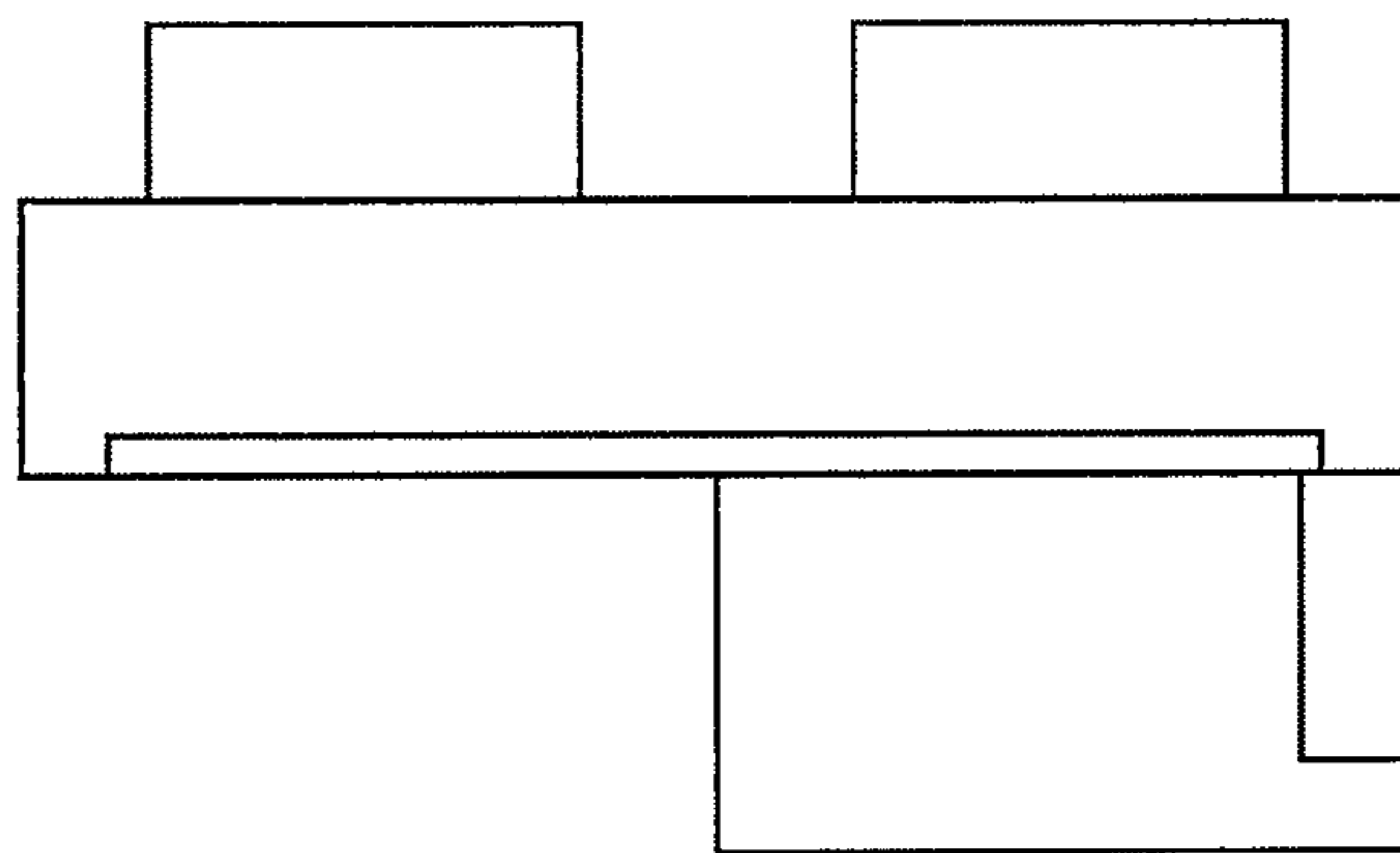


FIG. 3

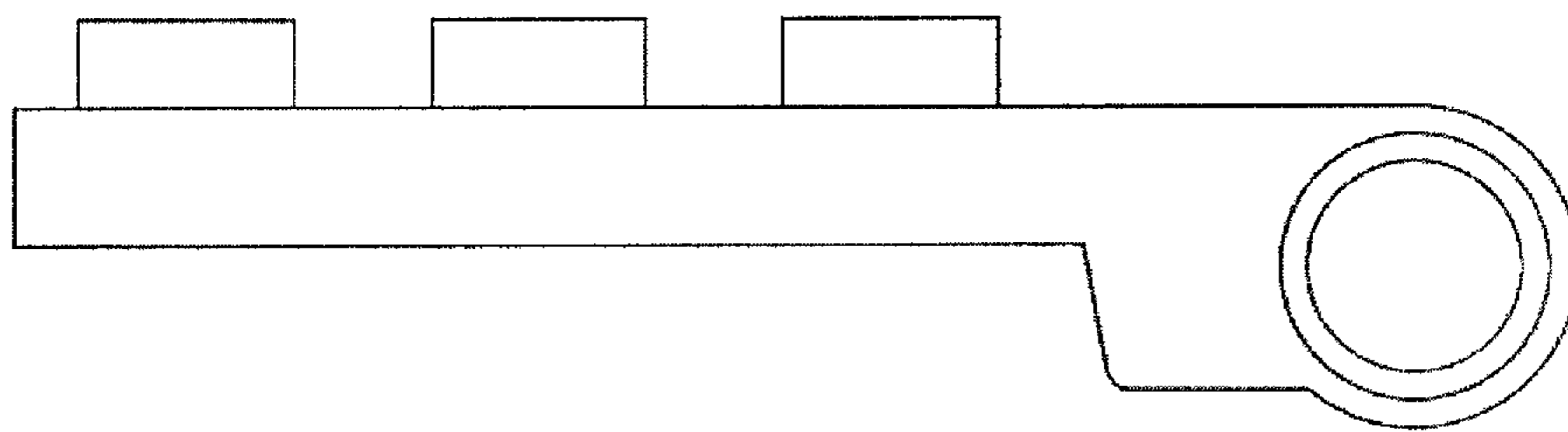


FIG. 4

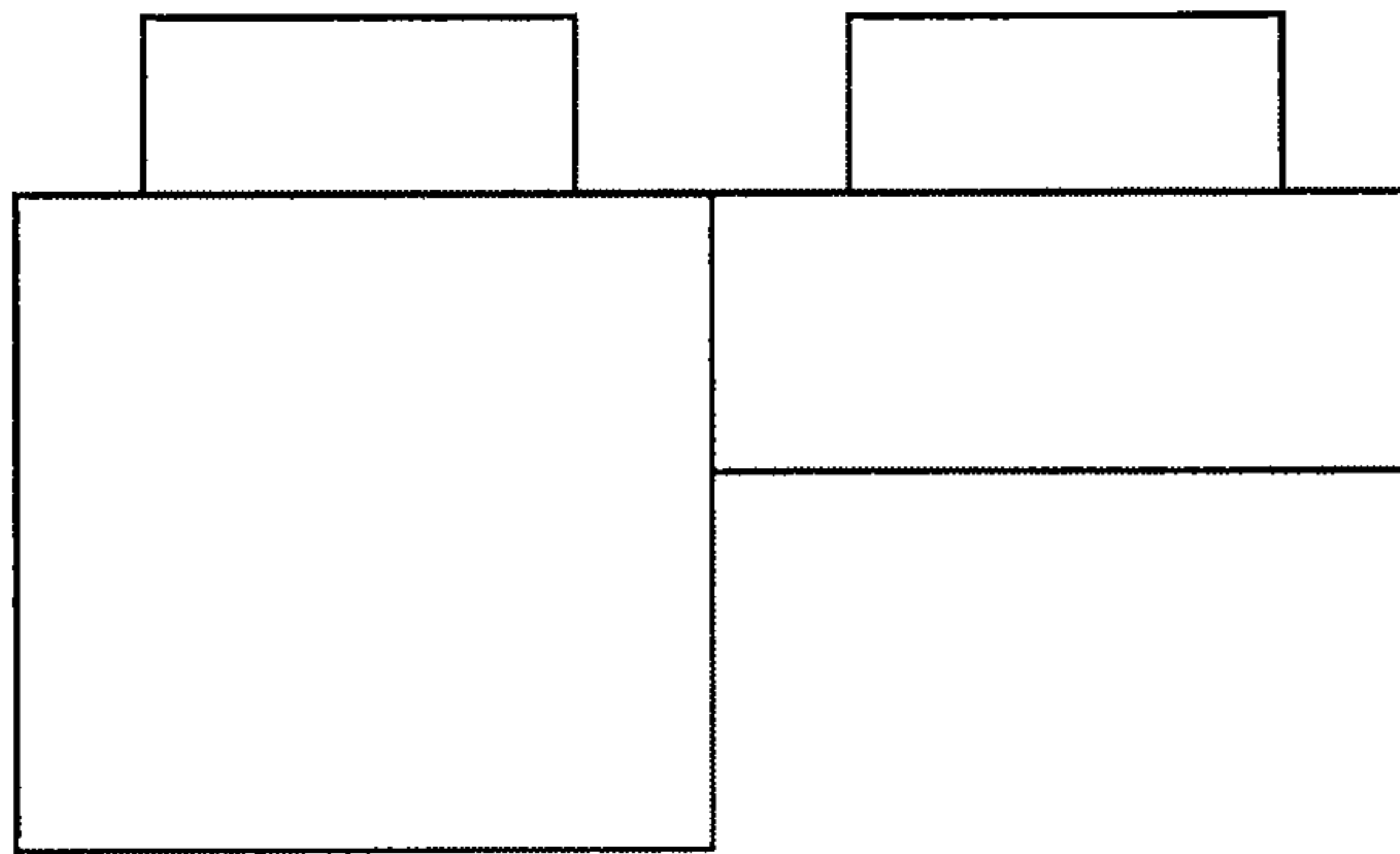


FIG. 5

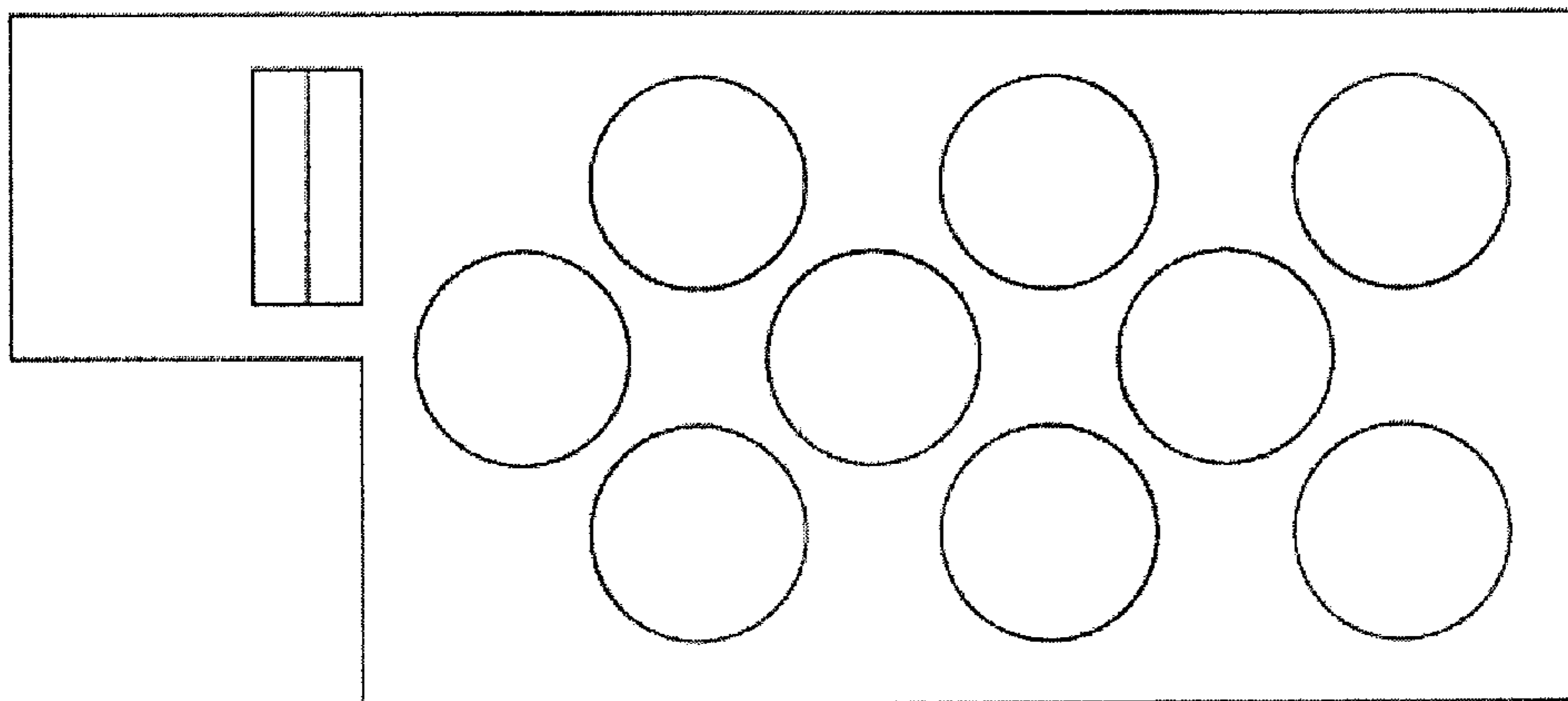


FIG. 6

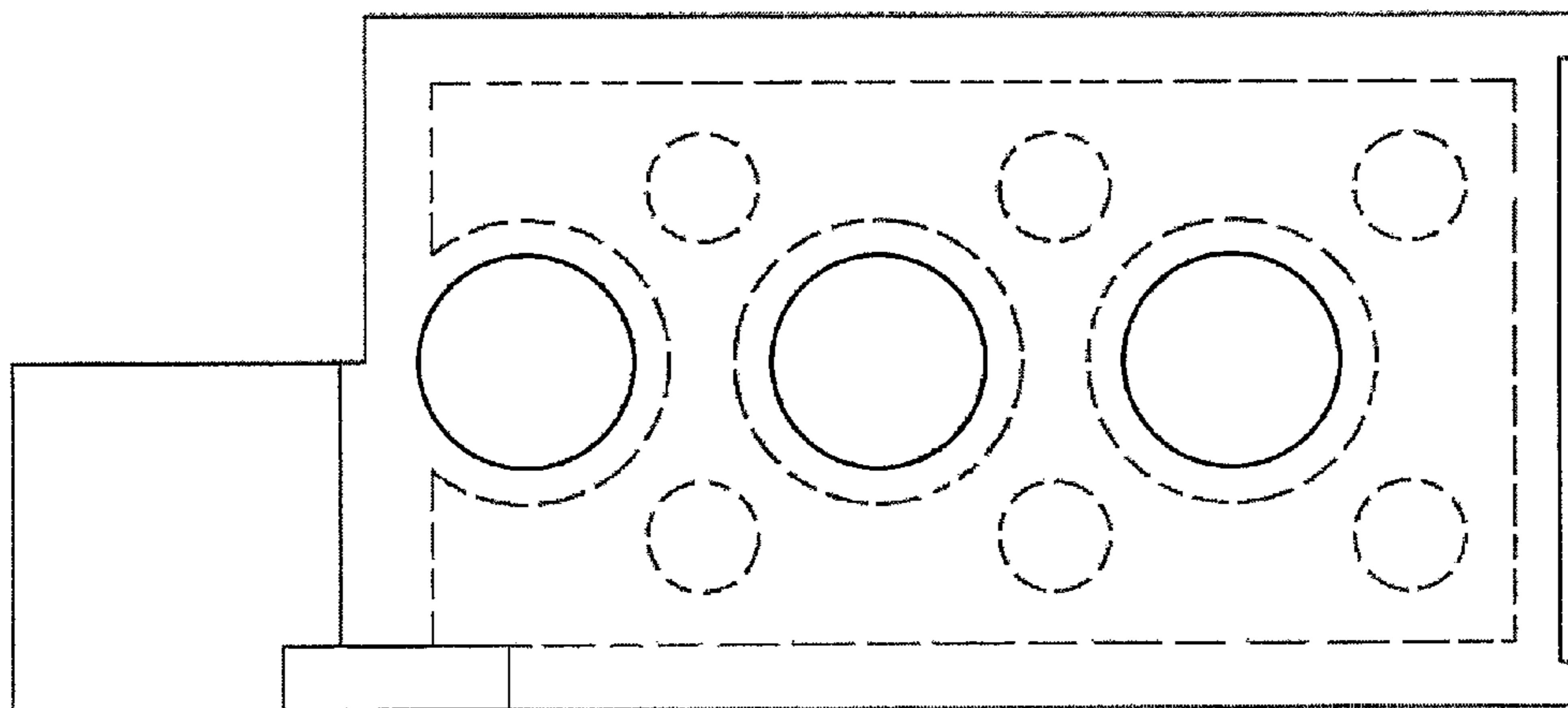


FIG. 7