



US00D695849S

(12) **United States Design Patent**  
**Andersen**

(10) **Patent No.:** **US D695,849 S**

(45) **Date of Patent:** **\*\* Dec. 17, 2013**

- (54) **CONSTRUCTION SET ELEMENT**
- (75) Inventor: **Henrik Andersen**, Vorbasse (DK)
- (73) Assignee: **Lego A/S**, Billund (DK)
- (\*\*) Term: **14 Years**
- (21) Appl. No.: **29/422,818**
- (22) Filed: **May 24, 2012**

D333,851 S *	3/1993	Olsen .....	D21/502
D344,769 S *	3/1994	Poulsen .....	D21/502
D364,658 S *	11/1995	Bromso .....	D21/503
5,645,463 A *	7/1997	Olsen .....	446/104
6,508,689 B1 *	1/2003	Mikkelsen et al. ....	446/108
D515,634 S *	2/2006	Paterson .....	D21/503
D608,400 S *	1/2010	Ryaa .....	D21/500

\* cited by examiner

*Primary Examiner* — Cynthia M Chin

(74) *Attorney, Agent, or Firm* — Day Pitney LLP

- (30) **Foreign Application Priority Data**
- Nov. 22, 2011 (EM) ..... 001950981
- (51) **LOC (9) Cl.** ..... **21-01**
- (52) **U.S. Cl.**
- USPC ..... **D21/501**
- (58) **Field of Classification Search**
- USPC ..... D21/484–485, 488, 489, 491–495,  
D21/500–504; D25/113, 114, 118; 446/69,  
446/89, 92, 102–128; 434/259, 208, 403;  
273/153, 156, 160
- See application file for complete search history.

(57) **CLAIM**

The ornamental design for a construction set element, as shown and described.

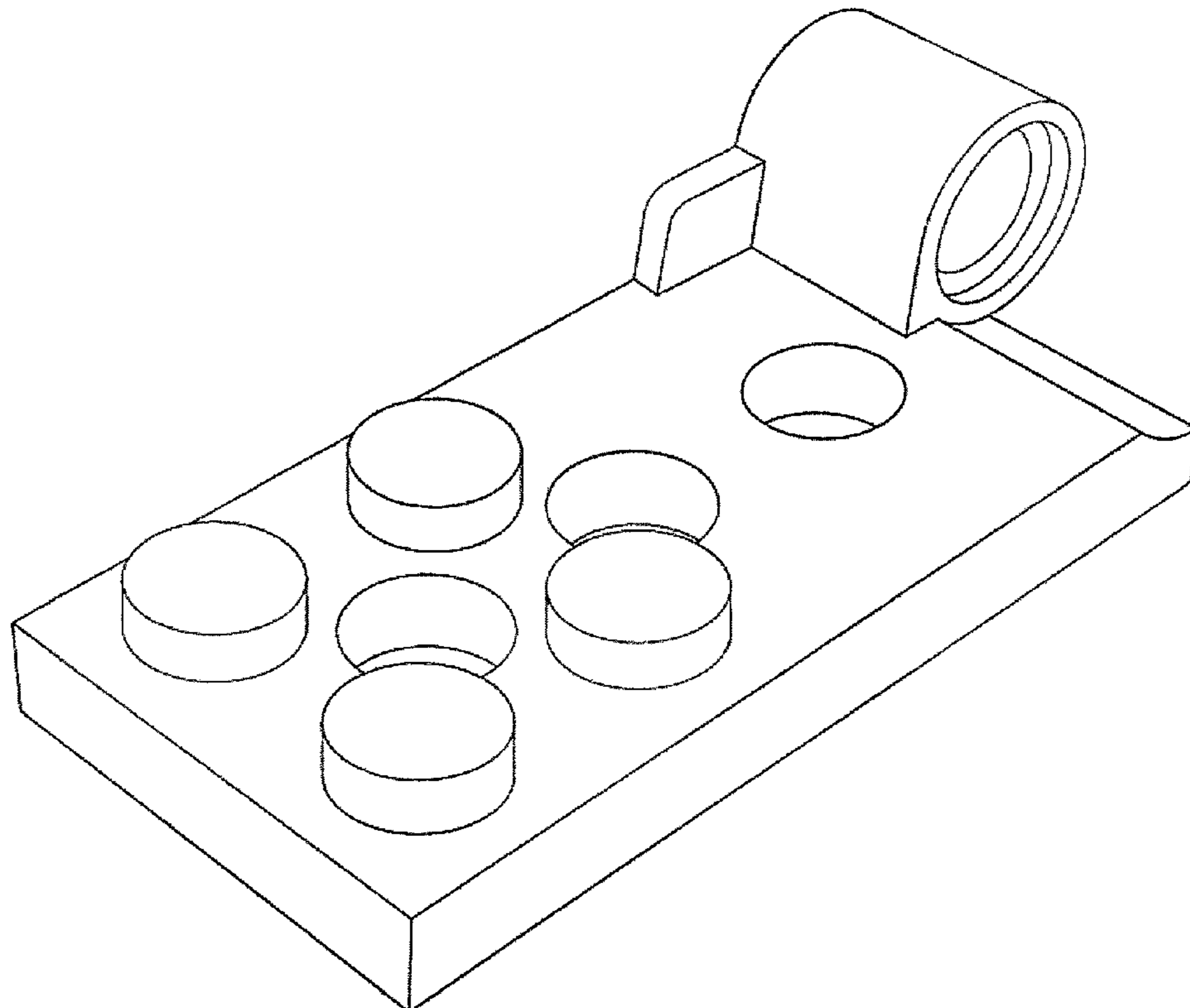
**DESCRIPTION**

FIG. 1 is a front perspective view of my ornamental design for a construction set element;  
 FIG. 2 is a front view thereof;  
 FIG. 3 is a right side view thereof;  
 FIG. 4 is a rear view thereof;  
 FIG. 5 is a left side view thereof;  
 FIG. 6 is a top plan view thereof; and,  
 FIG. 7 is a bottom plan view thereof.

The broken lines in each of the figures are for environmental purposes only and form no part of the claimed design.

- (56) **References Cited**
- U.S. PATENT DOCUMENTS
- 4,606,732 A \* 8/1986 Lyman ..... 446/120
- D295,993 S \* 5/1988 Knudsen ..... D21/501

**1 Claim, 7 Drawing Sheets**



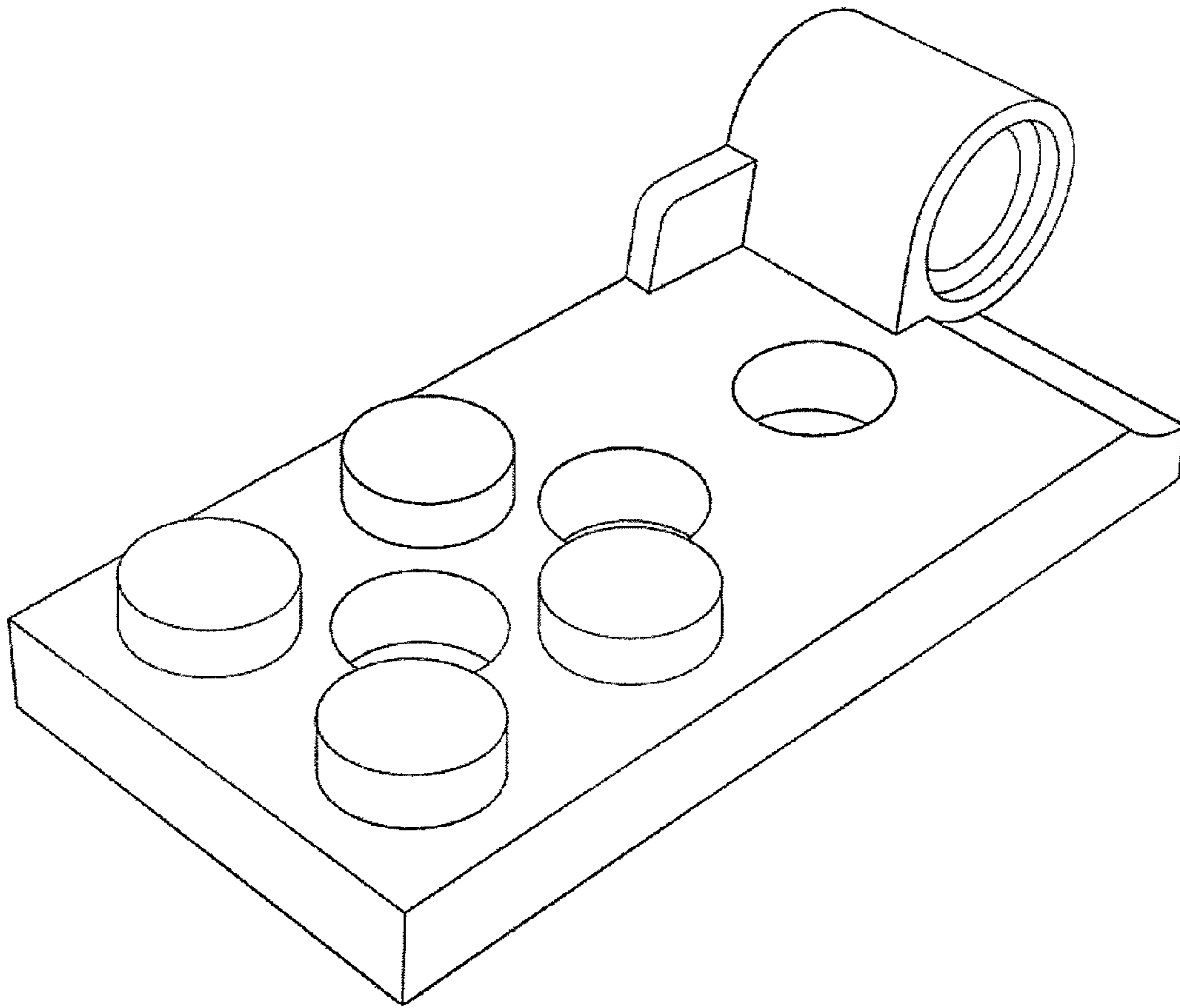


FIG. 1

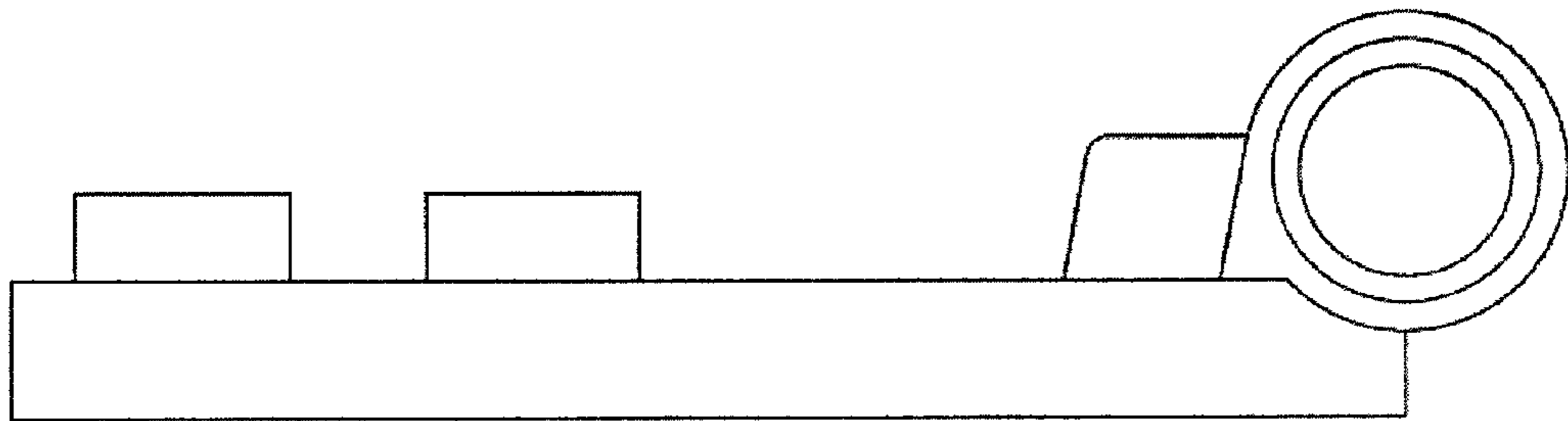


FIG. 2

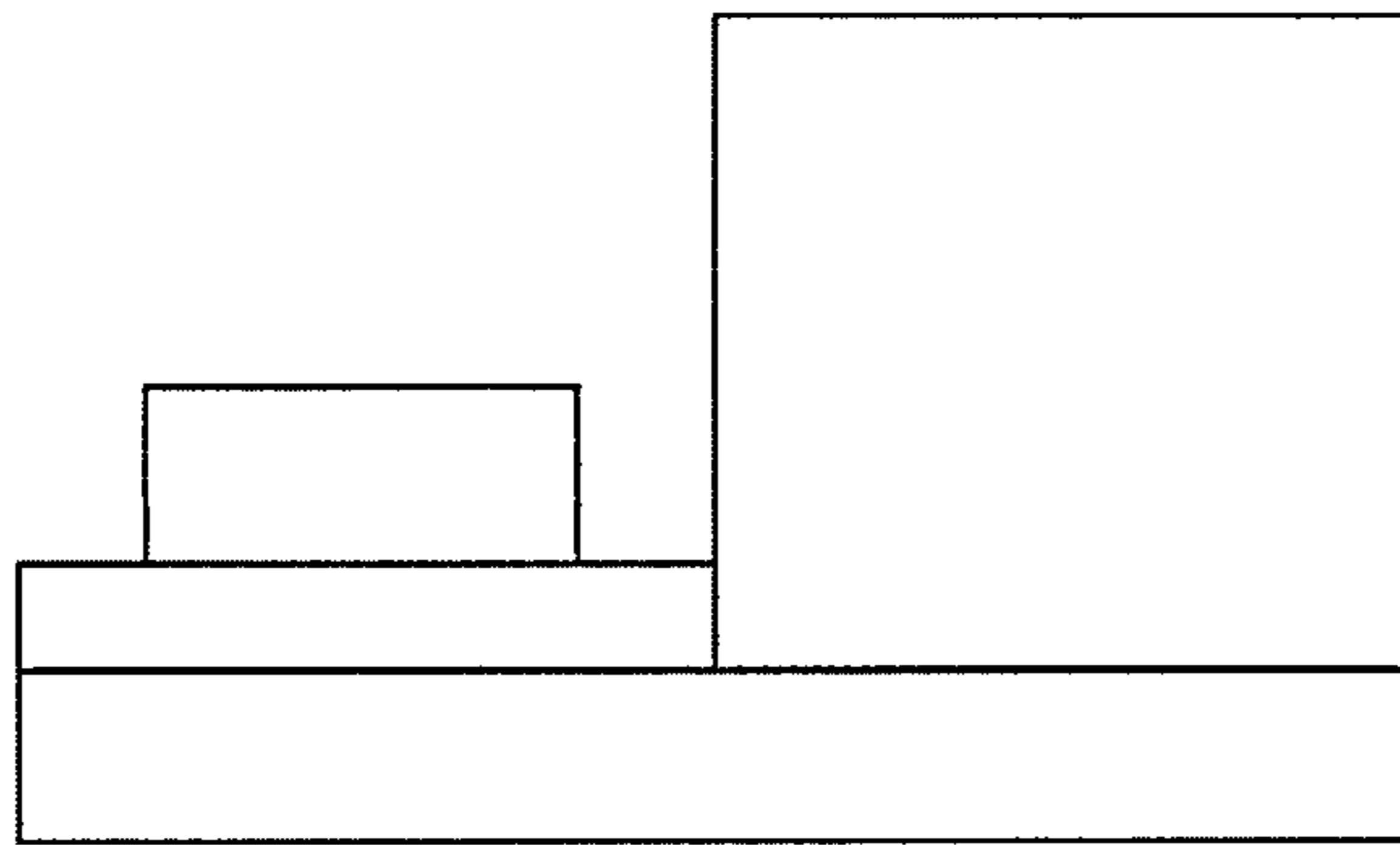


FIG. 3

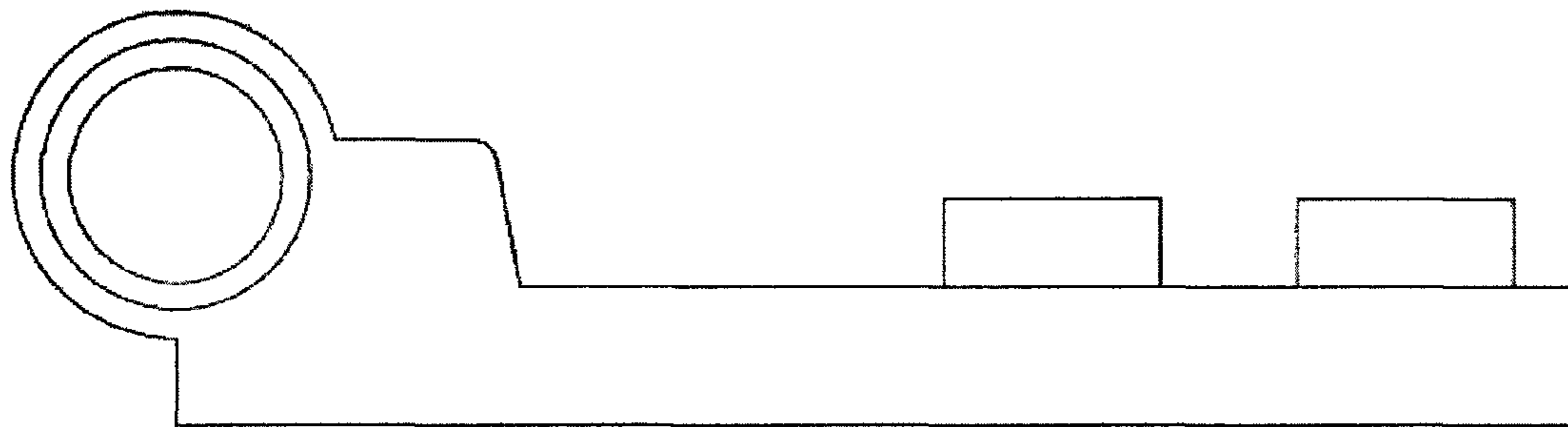


FIG. 4

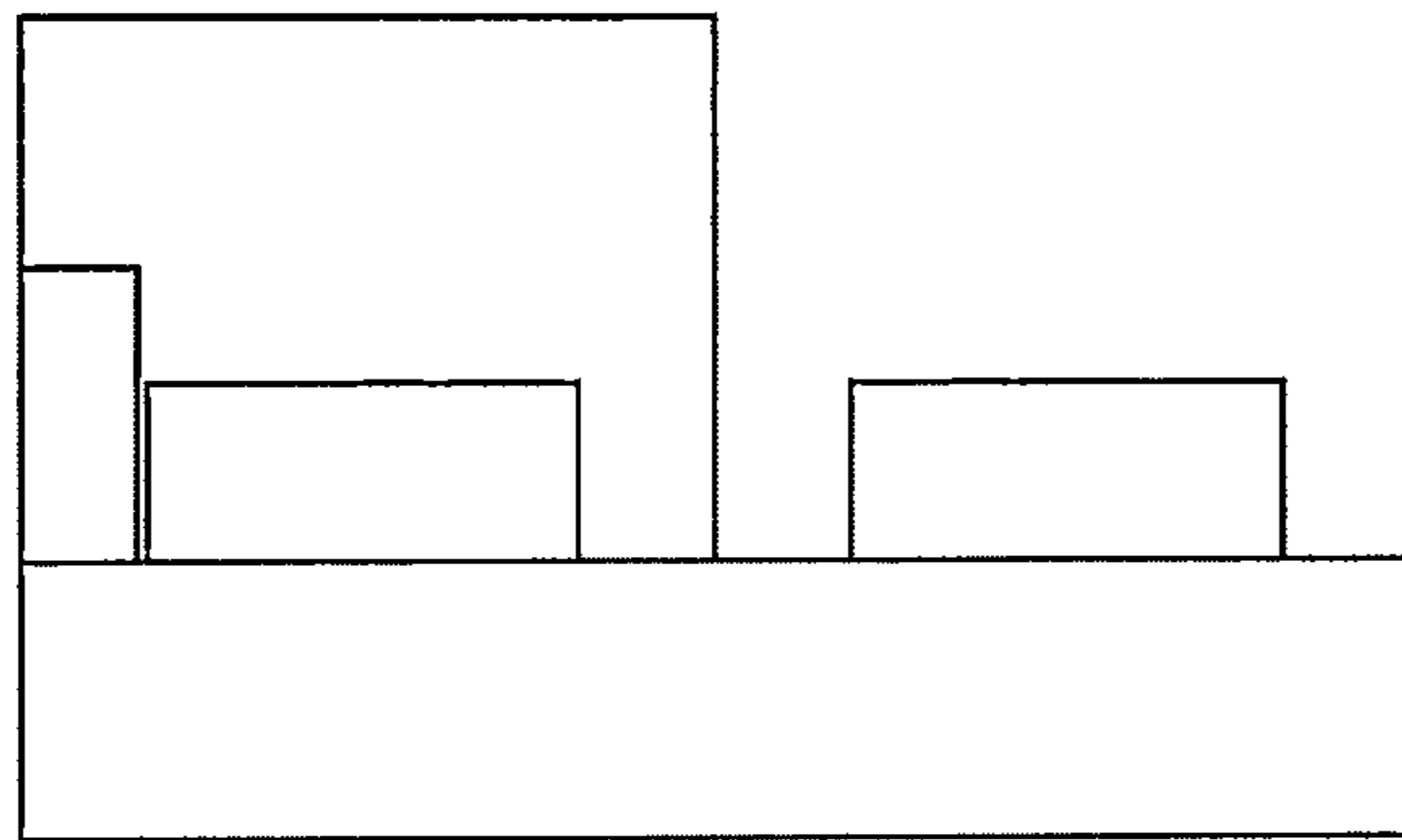


FIG. 5

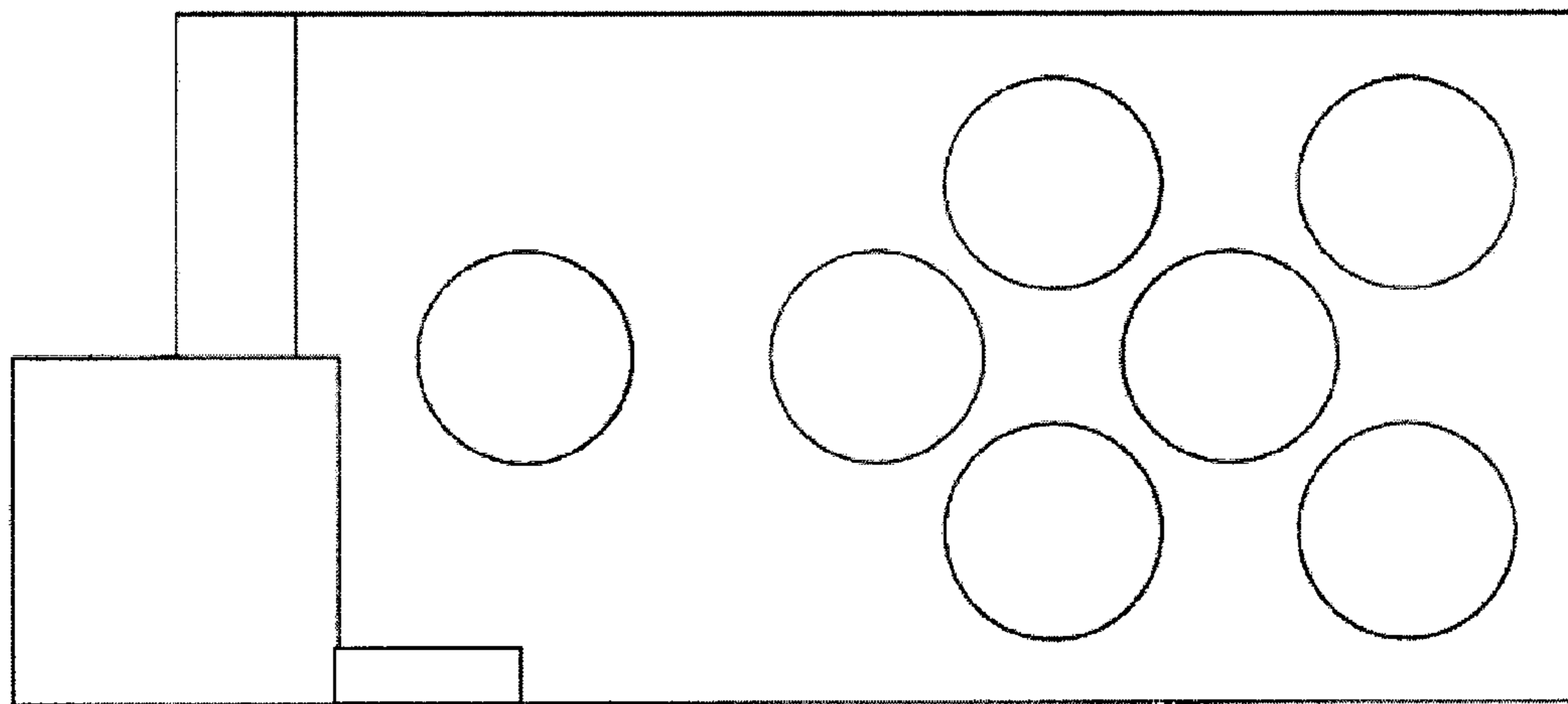


FIG. 6

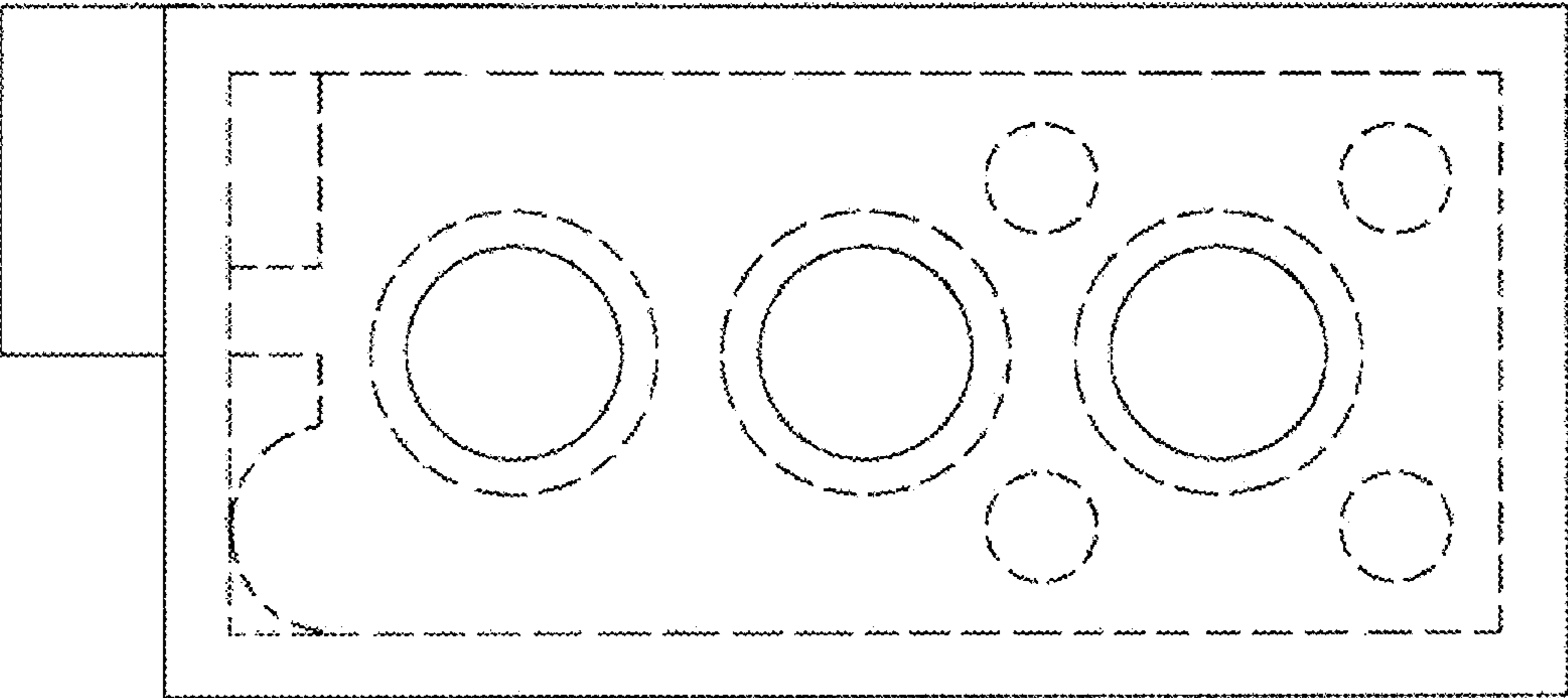


FIG. 7