



US00D695845S

(12) **United States Design Patent**
Philips

(10) **Patent No.:** **US D695,845 S**

(45) **Date of Patent:** **** Dec. 17, 2013**

(54) **MAH JONGG TABLE**

(76) **Inventor:** **Jacqueline S. Philips**, Toms River, NJ
(US)

(**) **Term:** **14 Years**

(21) **Appl. No.:** **29/416,579**

(22) **Filed:** **Mar. 23, 2012**

(51) **LOC (9) Cl.** **21-01**

(52) **U.S. Cl.**
USPC **D21/397**

(58) **Field of Classification Search**
USPC D21/307–208, 334–368, 376–397;
273/236–287, 288–291; 362/382
See application file for complete search history.

(56) **References Cited**

U.S. PATENT DOCUMENTS

3,899,178 A * 8/1975 Watanabe 273/309
4,219,200 A * 8/1980 Takahashi 273/309

D486,190 S * 2/2004 Winter et al. D21/397
D491,233 S * 6/2004 Winter et al. D21/397
2009/0161373 A1 * 6/2009 Teng et al. 362/382

* cited by examiner

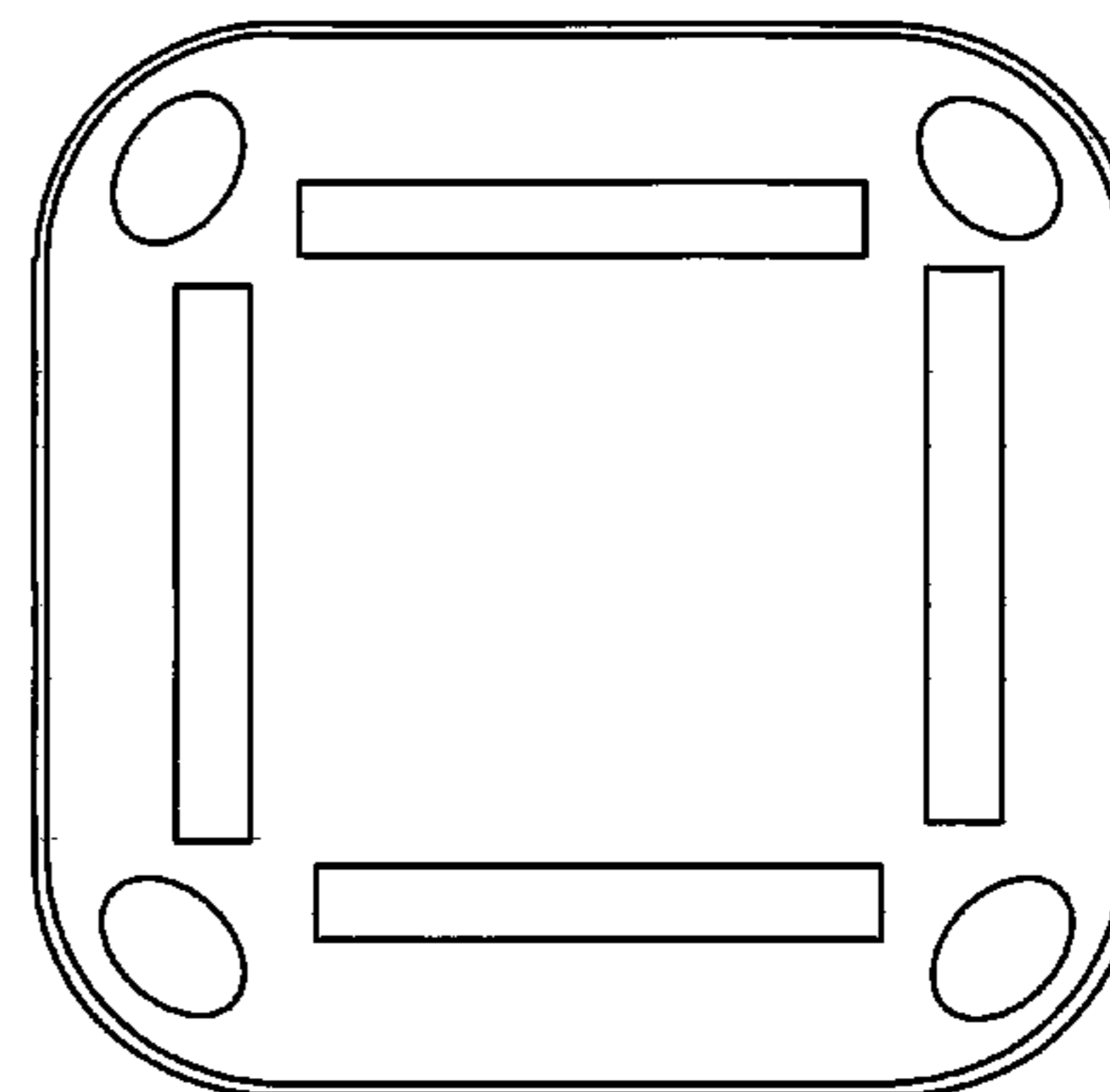
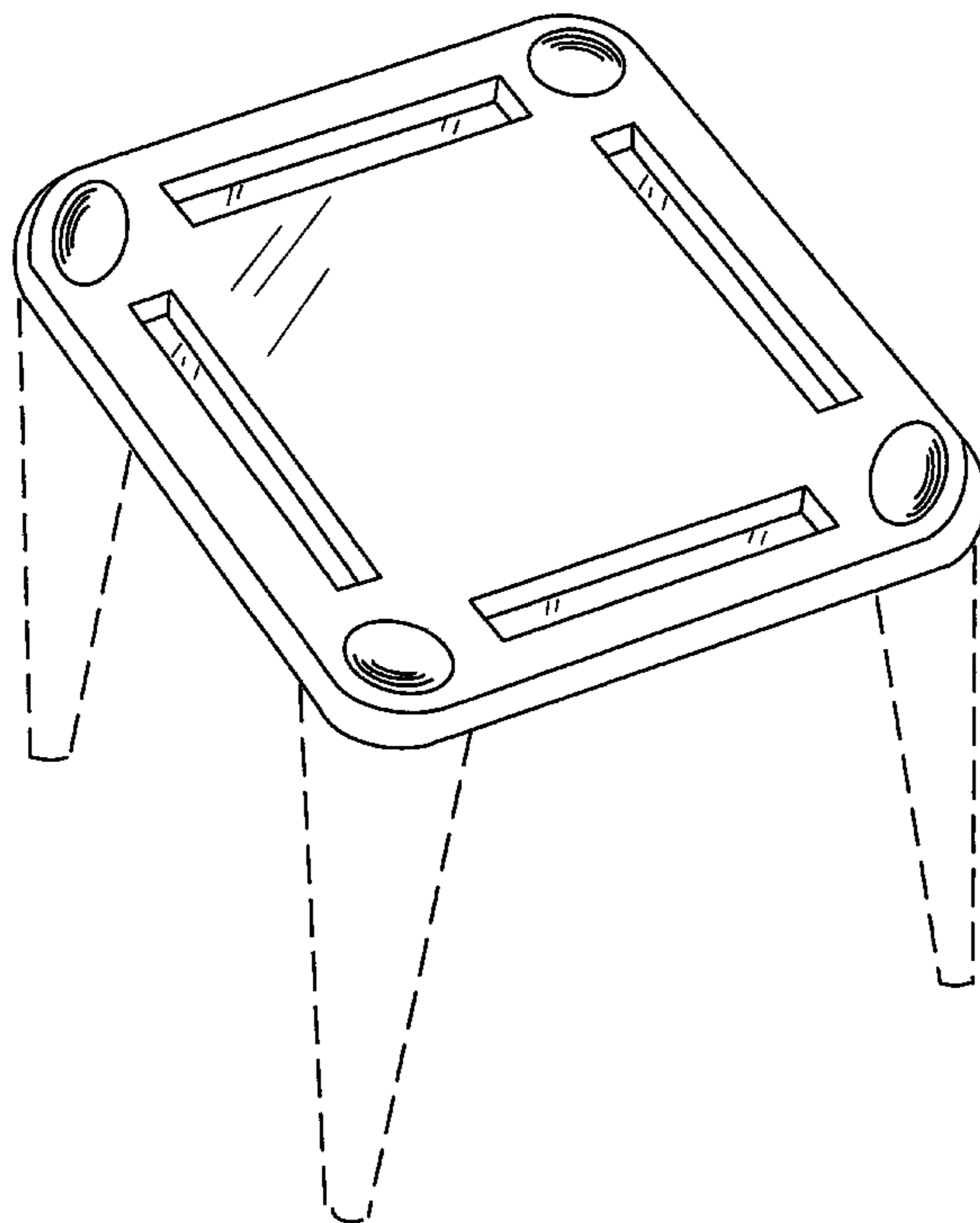
Primary Examiner — George D Kirschbaum
(74) *Attorney, Agent, or Firm* — Michael R. Philips

(57) **CLAIM**
The ornamental design for a mah jongg table, as shown and described.

DESCRIPTION

FIG. 1 is a perspective view of a mah jongg table according to the invention, the table legs being shown in dashed lines as not being a part of the invention.
FIG. 2 is a top plan view of the mah jongg table of FIG. 1; and, FIG. 3 is a front elevation view of the mah jongg table of FIG. 1, the rear and side elevations thereof being substantially equal.

1 Claim, 2 Drawing Sheets



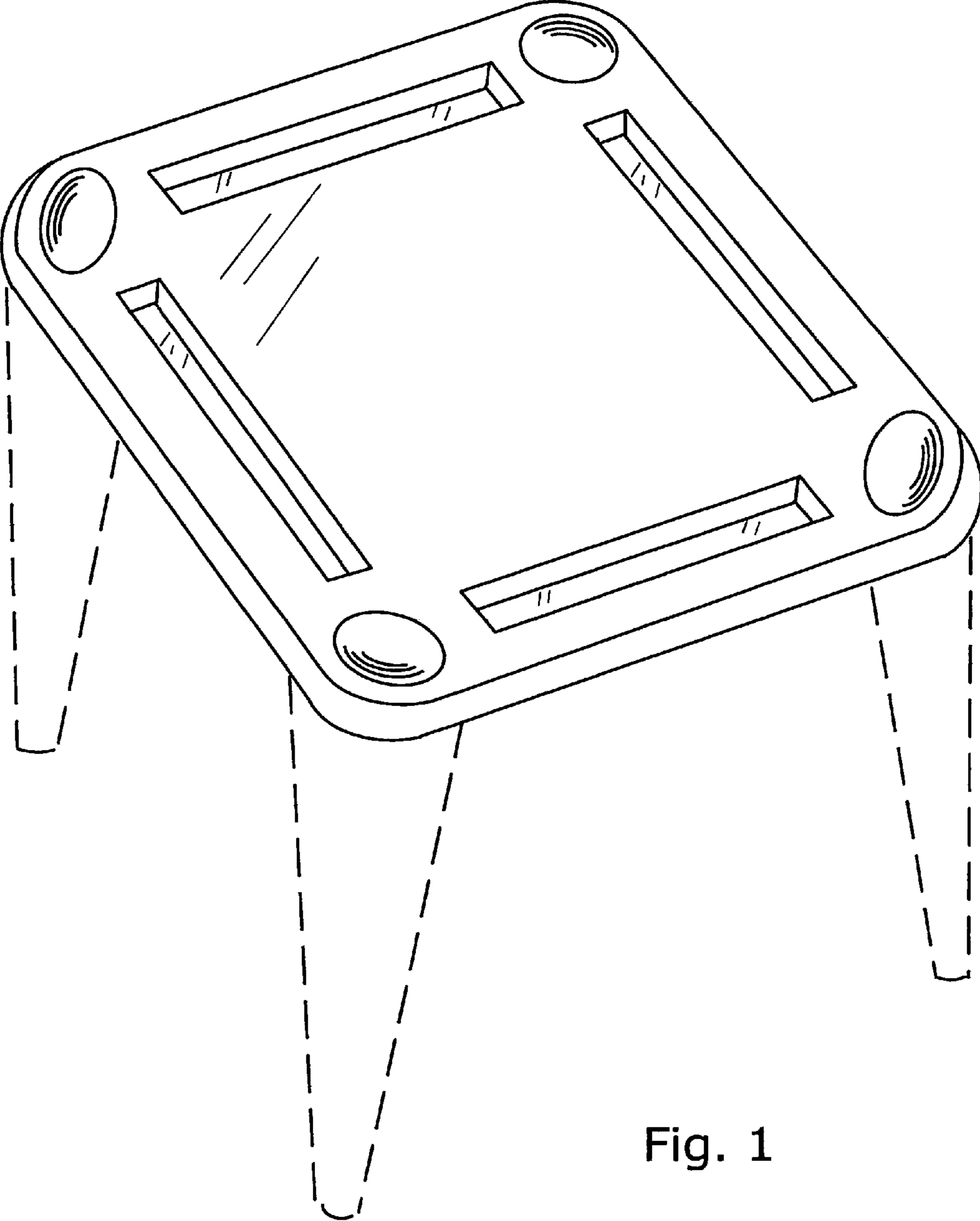


Fig. 1

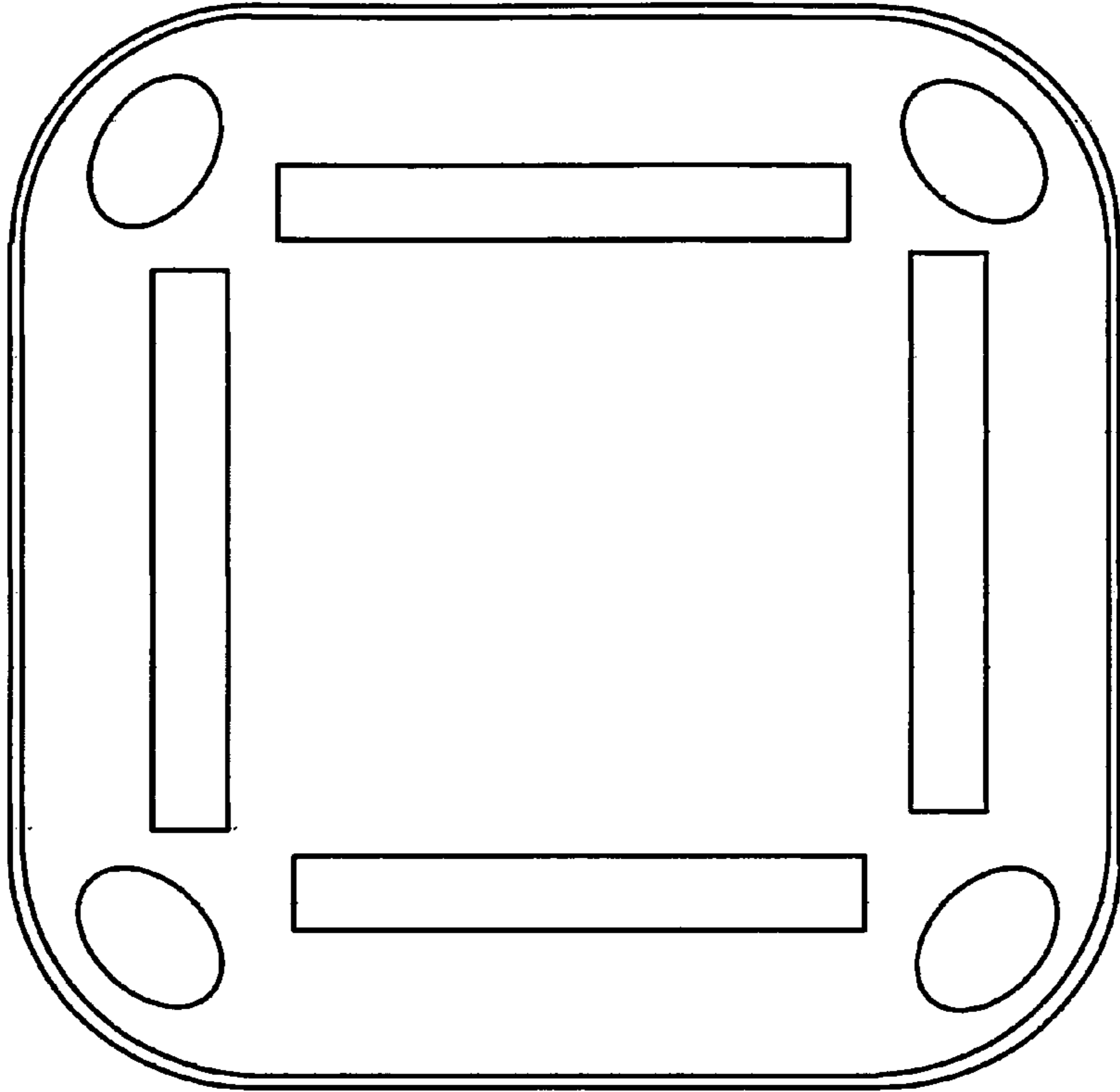


Fig. 2

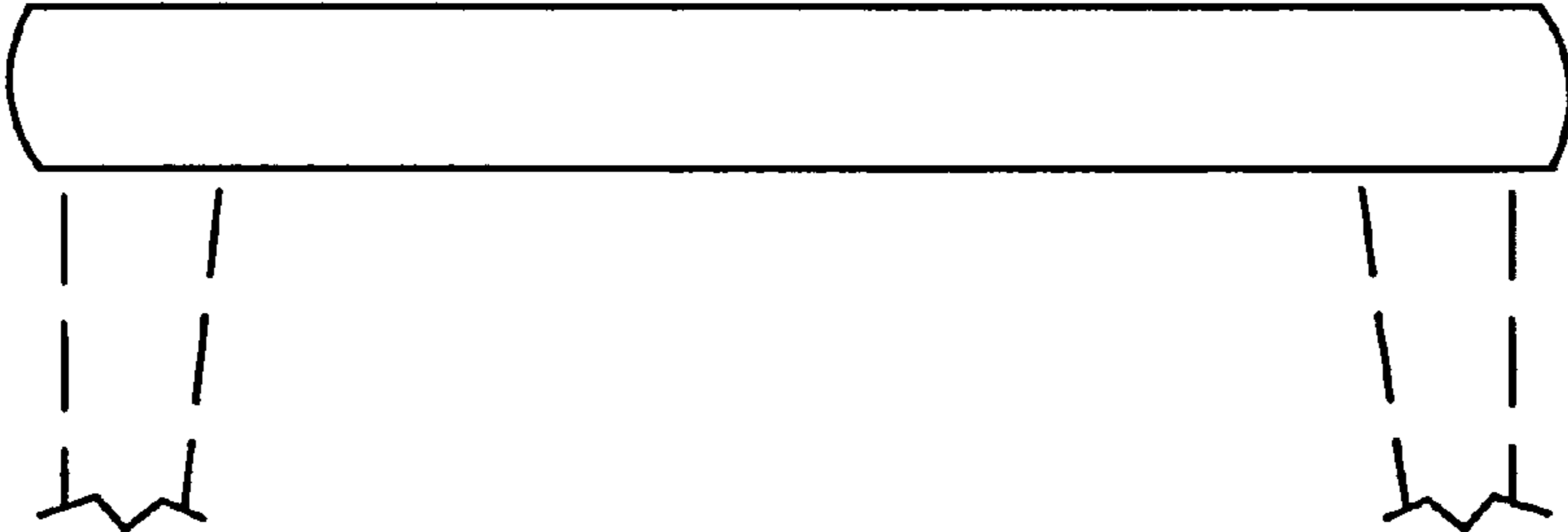


Fig. 3