

US00D695840S

(12) **United States Design Patent**
Dobos

(10) **Patent No.:** **US D695,840 S**

(45) **Date of Patent:** **** Dec. 17, 2013**

(54) **MODULAR GAMEBOARD**

D246,264 S * 11/1977 Hasegawa et al. D21/338

(76) Inventor: **Cory Dobos**, San Jose, CA (US)

* cited by examiner

(**) Term: **14 Years**

Primary Examiner — George D Kirschbaum

(74) *Attorney, Agent, or Firm* — Mark S. Hubert

(21) Appl. No.: **29/415,269**

(22) Filed: **Mar. 8, 2012**

(51) **LOC (9) Cl.** **21-01**

(52) **U.S. Cl.**
USPC **D21/337**

(58) **Field of Classification Search**
USPC D21/307–208, 334–368, 376–397;
273/236–287, 288–291
See application file for complete search history.

(57) **CLAIM**

The ornamental design for a modular gameboard, as shown and described.

DESCRIPTION

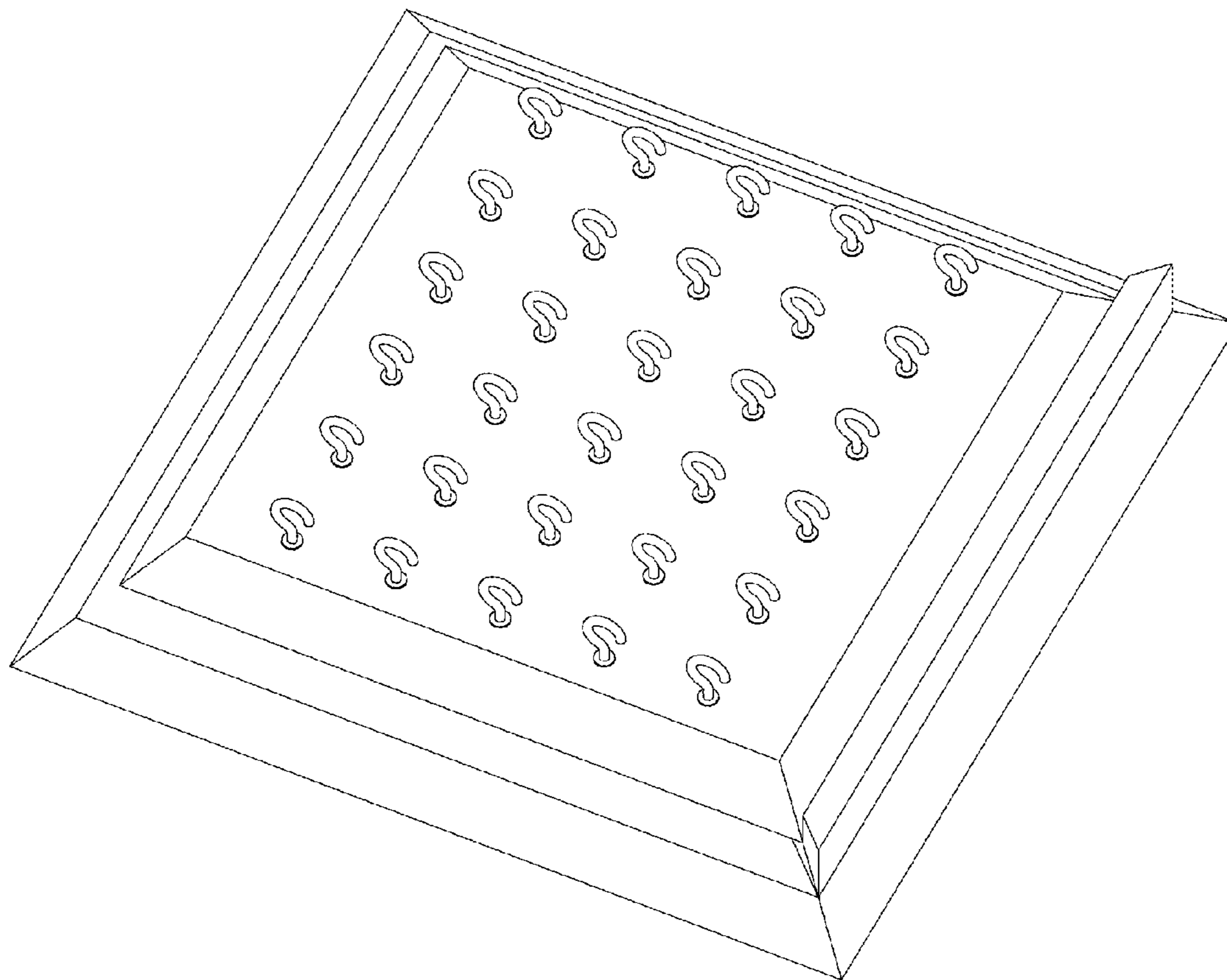
FIG. 1 is a perspective view of the modular gameboard;
FIG. 2 is a top view of the modular gameboard;
FIG. 3 is a front view of the modular gameboard;
FIG. 4 is a right-side view of the modular gameboard;
FIG. 5 is a bottom view of the modular gameboard;
FIG. 6 is a left-side view of the modular gameboard; and,
FIG. 7 is a back view of the modular gameboard.

(56) **References Cited**

U.S. PATENT DOCUMENTS

D172,830 S * 8/1954 Hebert D21/334

1 Claim, 4 Drawing Sheets



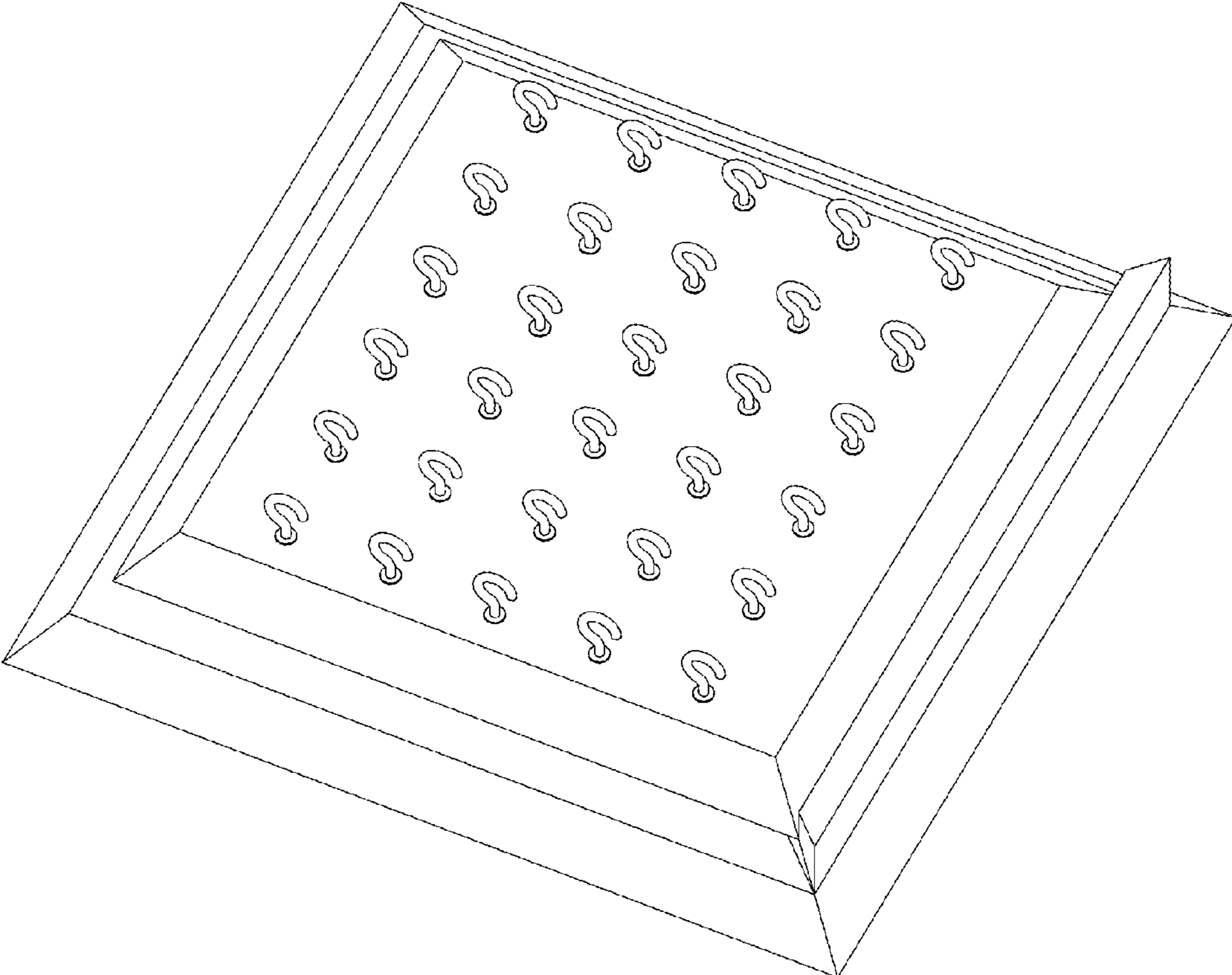


FIG. 1

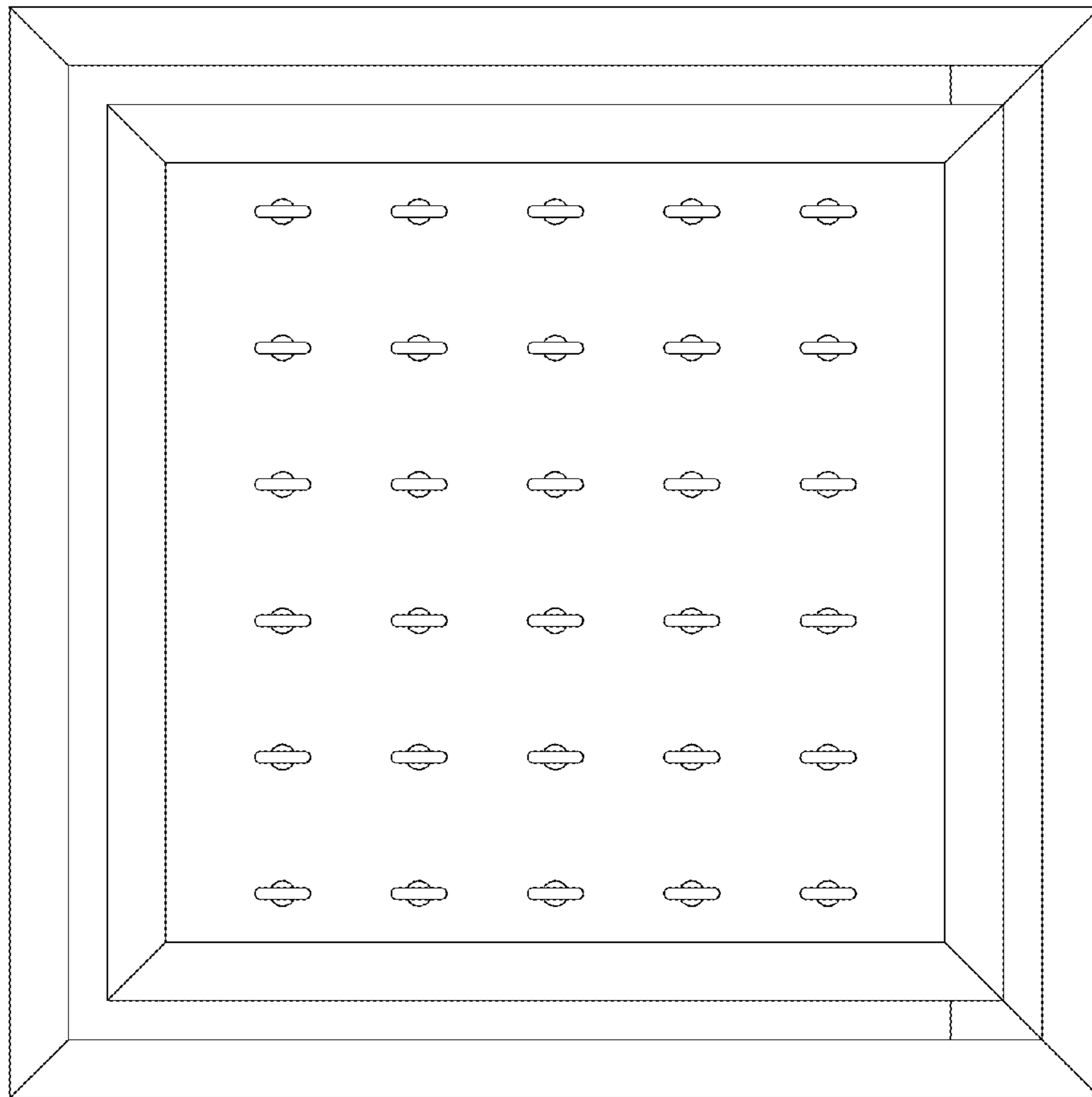


FIG. 2

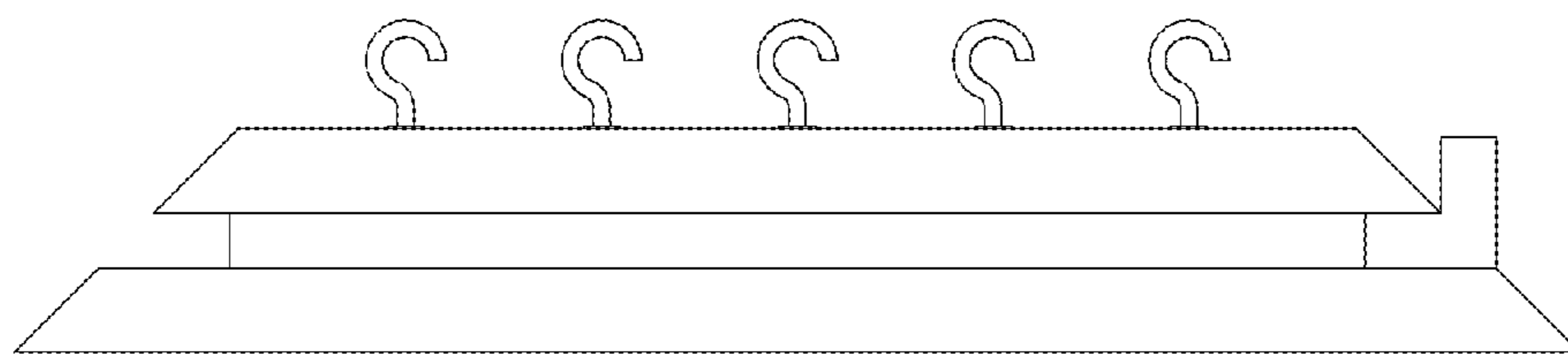


FIG. 3

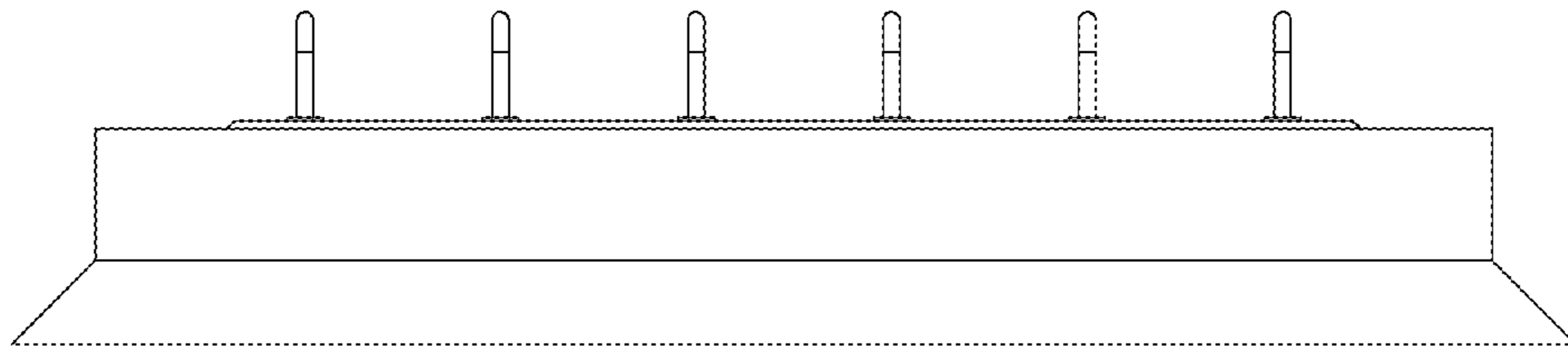


FIG. 4

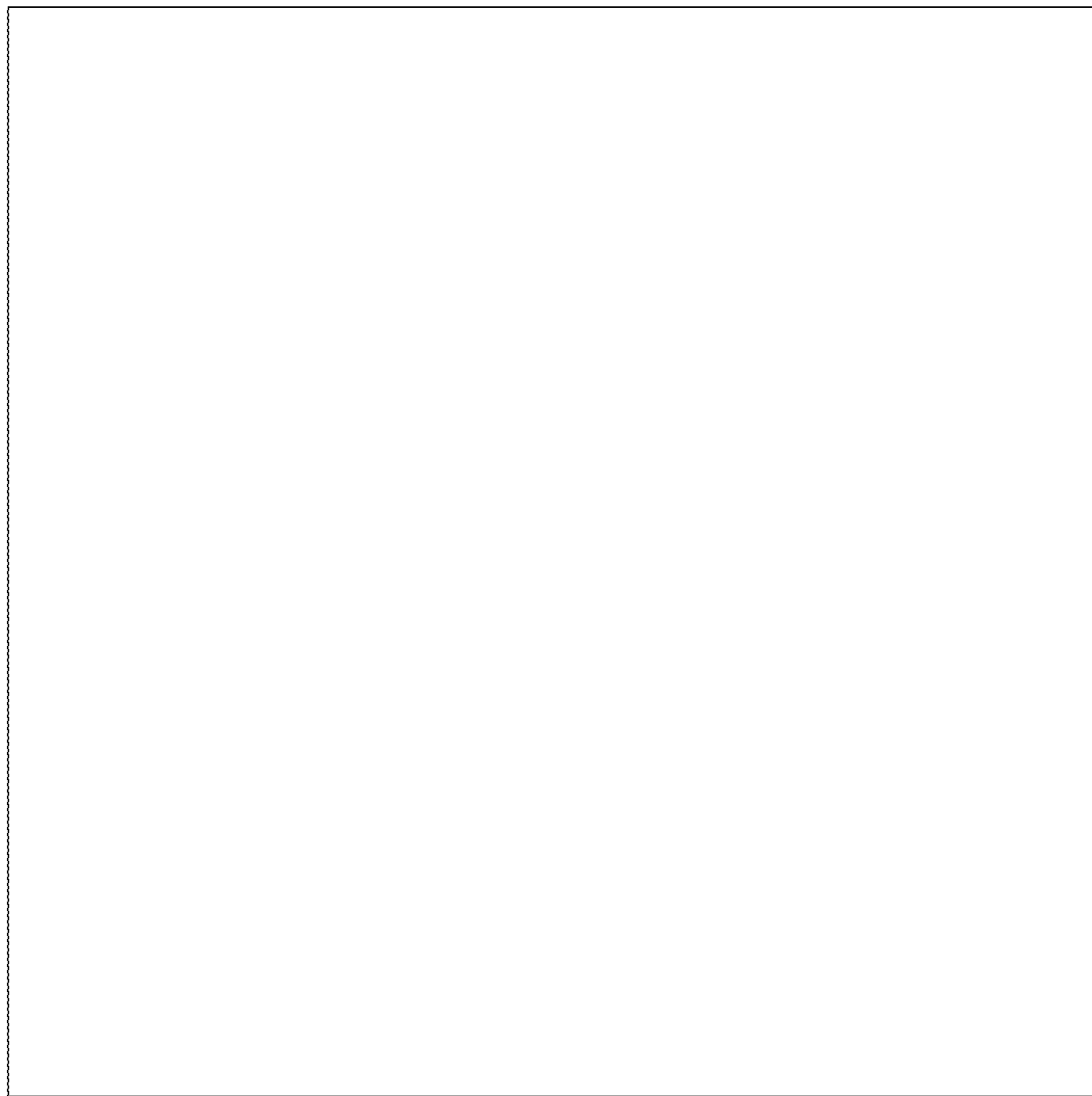


FIG. 5

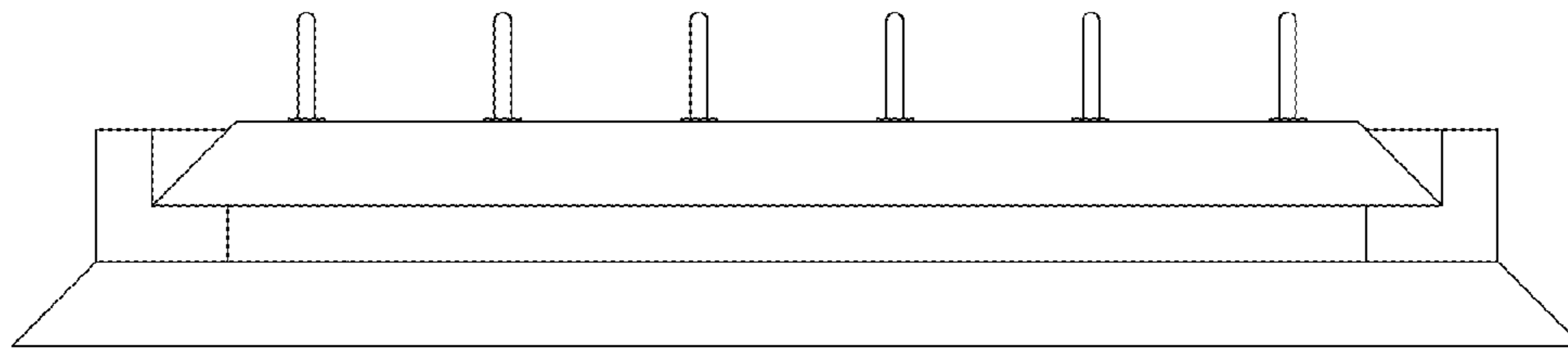


FIG. 6

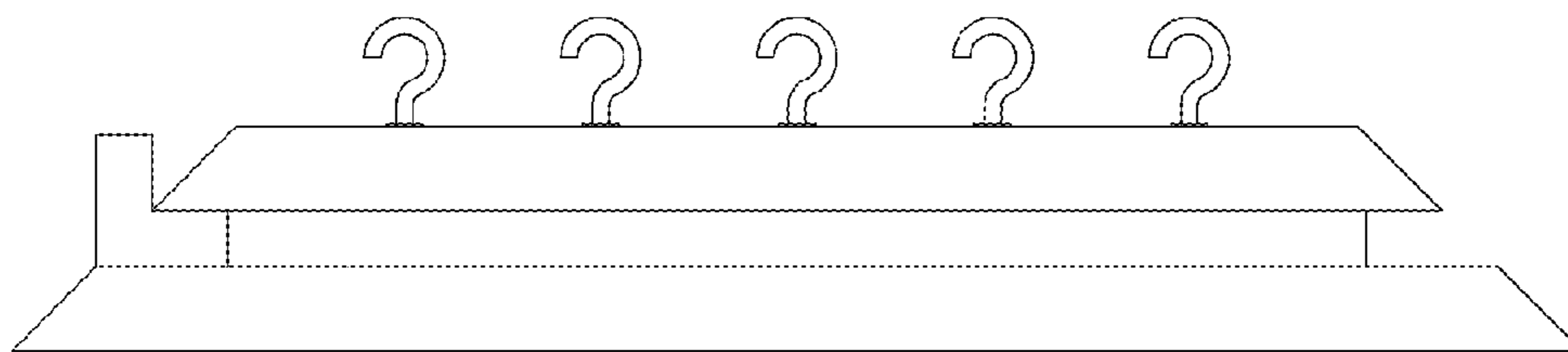


FIG. 7