

US00D695839S

(12) **United States Design Patent**
Lin

(10) **Patent No.:** **US D695,839 S**
(45) **Date of Patent:** **** Dec. 17, 2013**

(54) **GAMING CONSOLE FOR TABLET COMPUTER**

(71) Applicant: **Jow Tong Technology Co., Ltd.**, Tainan (TW)

(72) Inventor: **Chung-Hung Lin**, Tainan (TW)

(73) Assignee: **Jow Tong Technology Co., Ltd.**, Tainan (TW)

(**) Term: **14 Years**

(21) Appl. No.: **29/433,857**

(22) Filed: **Oct. 5, 2012**

(51) **LOC (9) Cl.** **21-01**

(52) **U.S. Cl.**
USPC **D21/333; D14/401**

(58) **Field of Classification Search**
USPC D21/324, 328, 333, 385, 477, 566;
D14/399-402, 412, 414, 416, 432;
273/148 B, 449, 441, 442; 463/1,
463/29-35, 46, 47; 345/156, 161; 434/45,
434/46

See application file for complete search history.

(56) **References Cited**

U.S. PATENT DOCUMENTS

5,829,745 A * 11/1998 Houle 273/148 B
5,989,123 A * 11/1999 Tosaki et al. 463/37

6,544,124 B2 * 4/2003 Ireland et al. 463/37
D497,365 S * 10/2004 Hussaini et al. D14/414
6,976,677 B1 * 12/2005 McVicar 273/148 B
D522,516 S * 6/2006 Hussaini et al. D14/414
D558,651 S * 1/2008 Ikeda et al. D14/401
7,316,618 B2 * 1/2008 Hsu 463/37
D568,409 S * 5/2008 Ikeda et al. D21/333
D573,198 S * 7/2008 Bramfitt D21/333
D615,131 S * 5/2010 Biheller D21/333

* cited by examiner

Primary Examiner — Prabhakar Deshmukh

(74) *Attorney, Agent, or Firm* — Rosenberg, Kleni & Lee

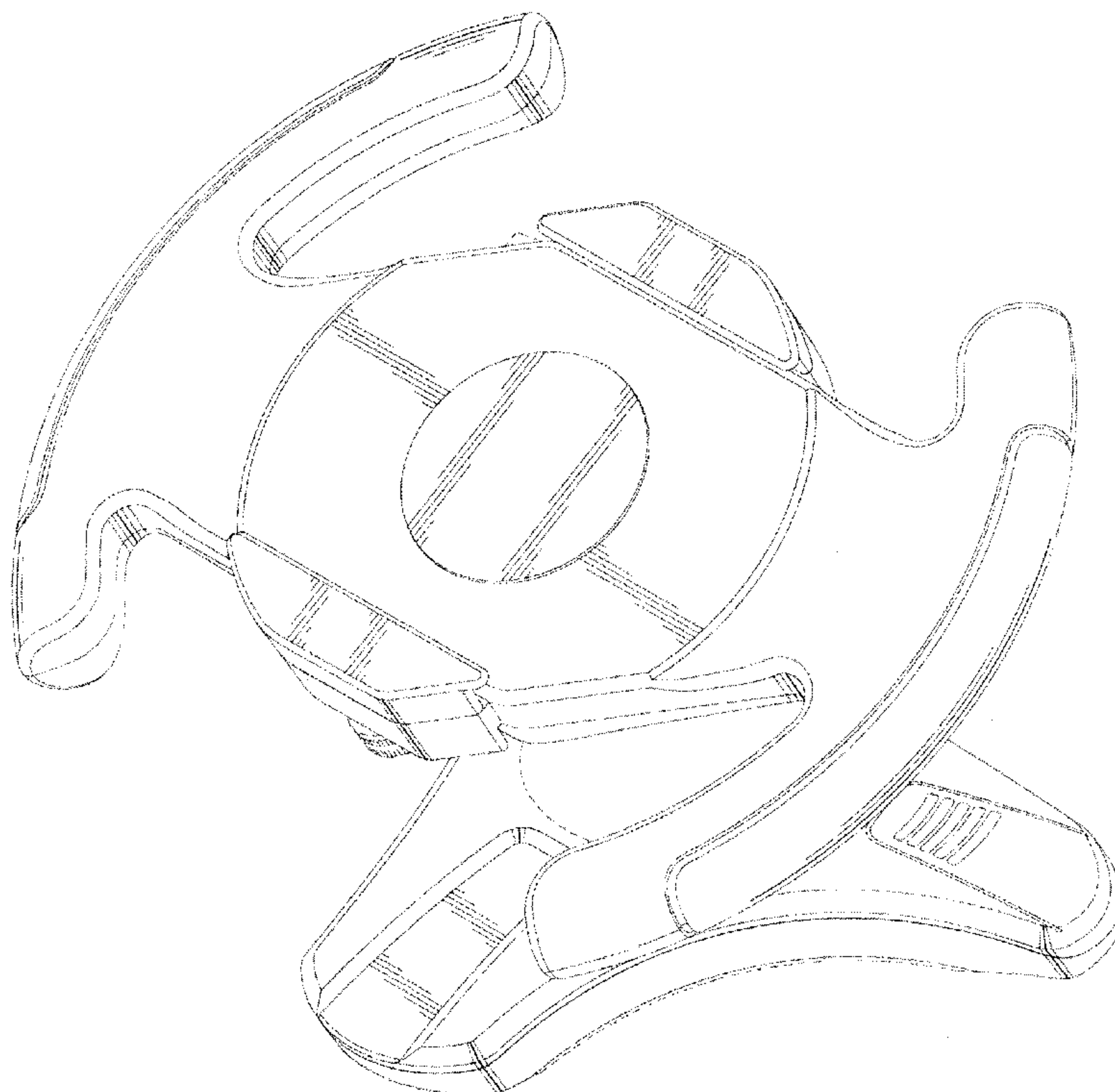
(57) **CLAIM**

The ornamental design for a gaming console for tablet computer, as shown and described.

DESCRIPTION

FIG. 1 is a perspective view of a gaming console for tablet computer showing my new design;
FIG. 2 is a front elevational view thereof;
FIG. 3 is a rear elevational view thereof;
FIG. 4 is a left side elevational view thereof;
FIG. 5 is a right side elevational view thereof;
FIG. 6 is a top plan view thereof;
FIG. 7 is a bottom plan view thereof; and,
FIG. 8 is a second perspective view of a gaming console for tablet computer showing my new design.
The broken lines indicate the disclaimed portions and form no part of the claimed design.

1 Claim, 8 Drawing Sheets



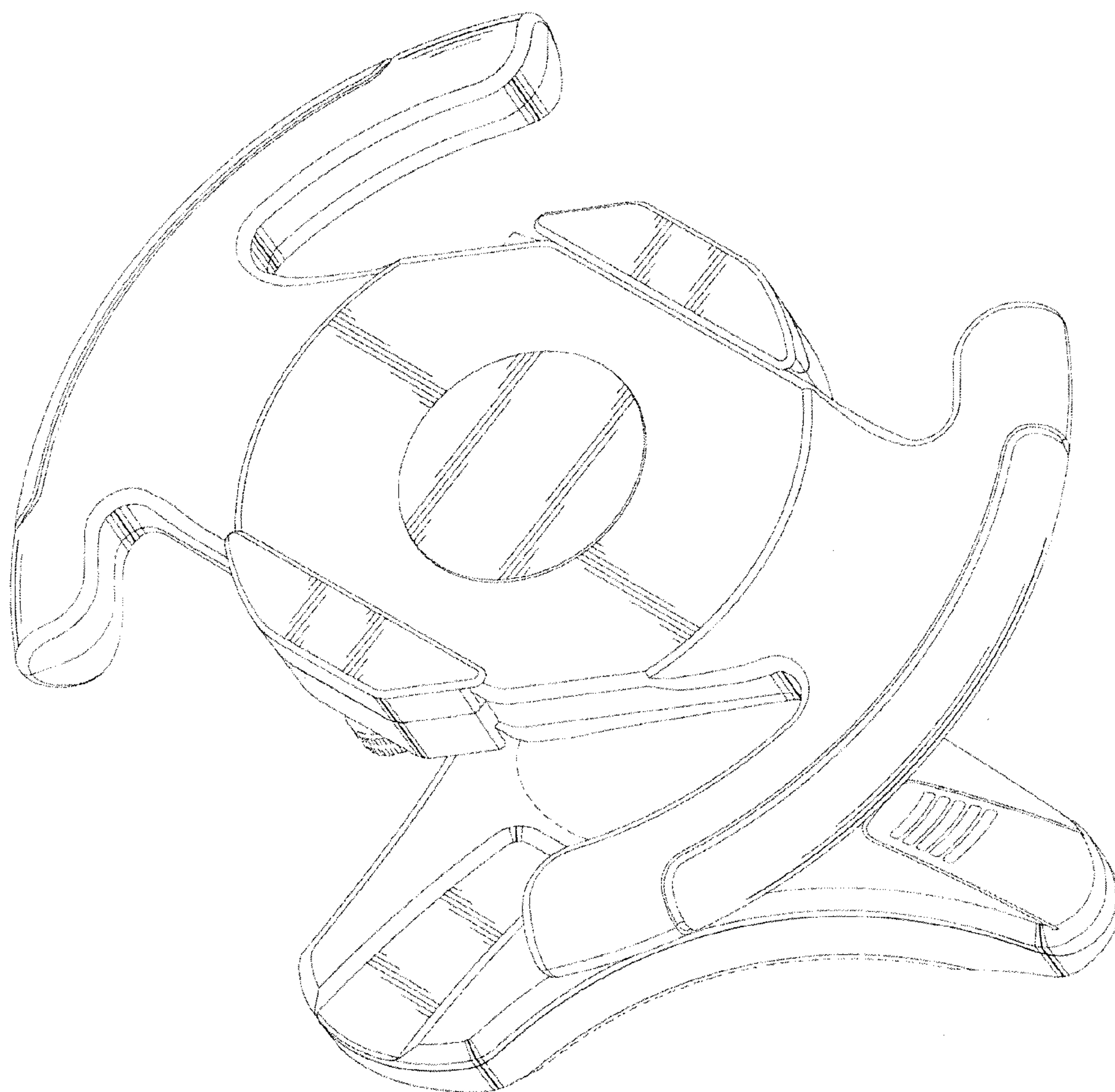


FIG. 1

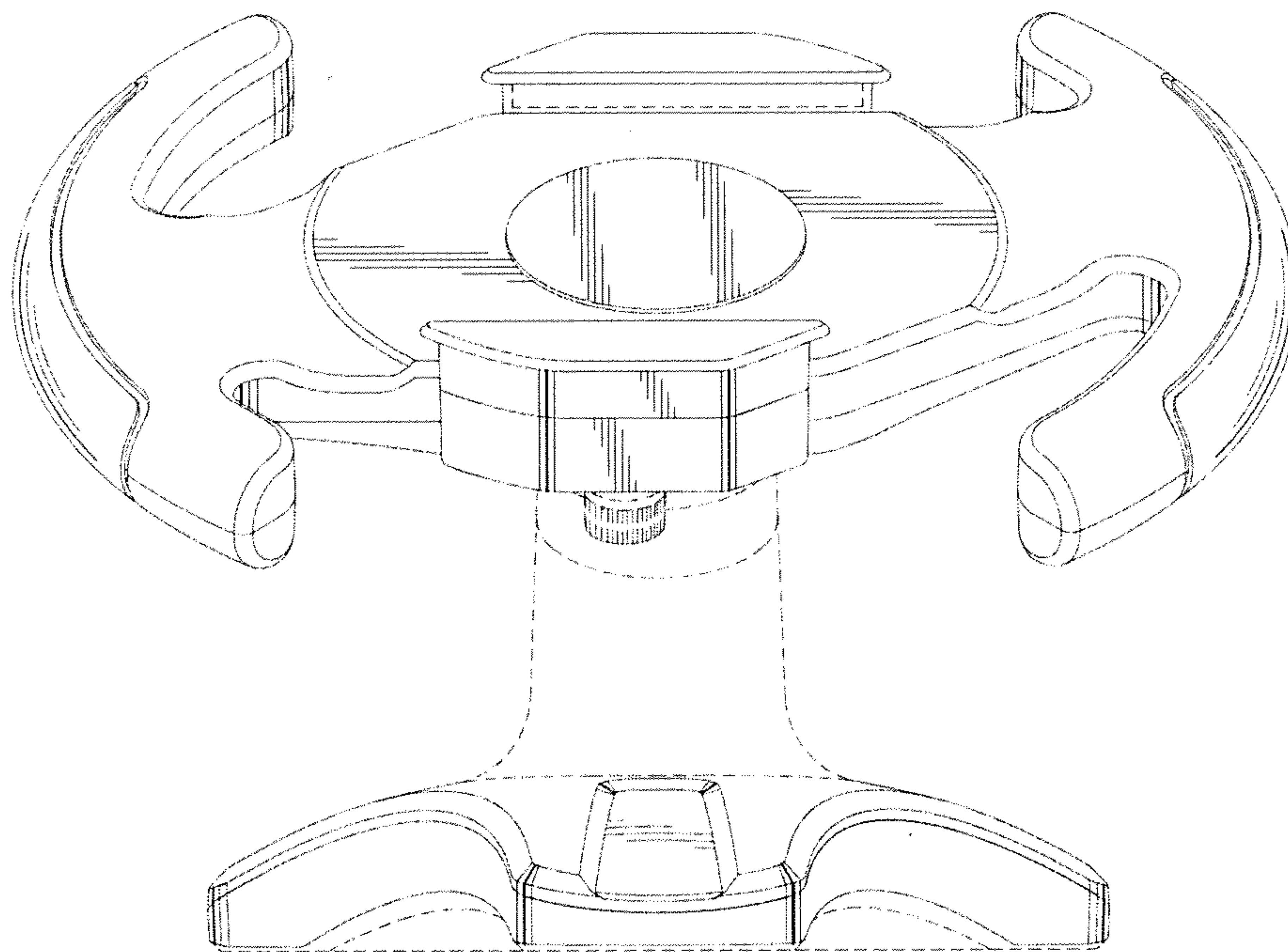


FIG. 2

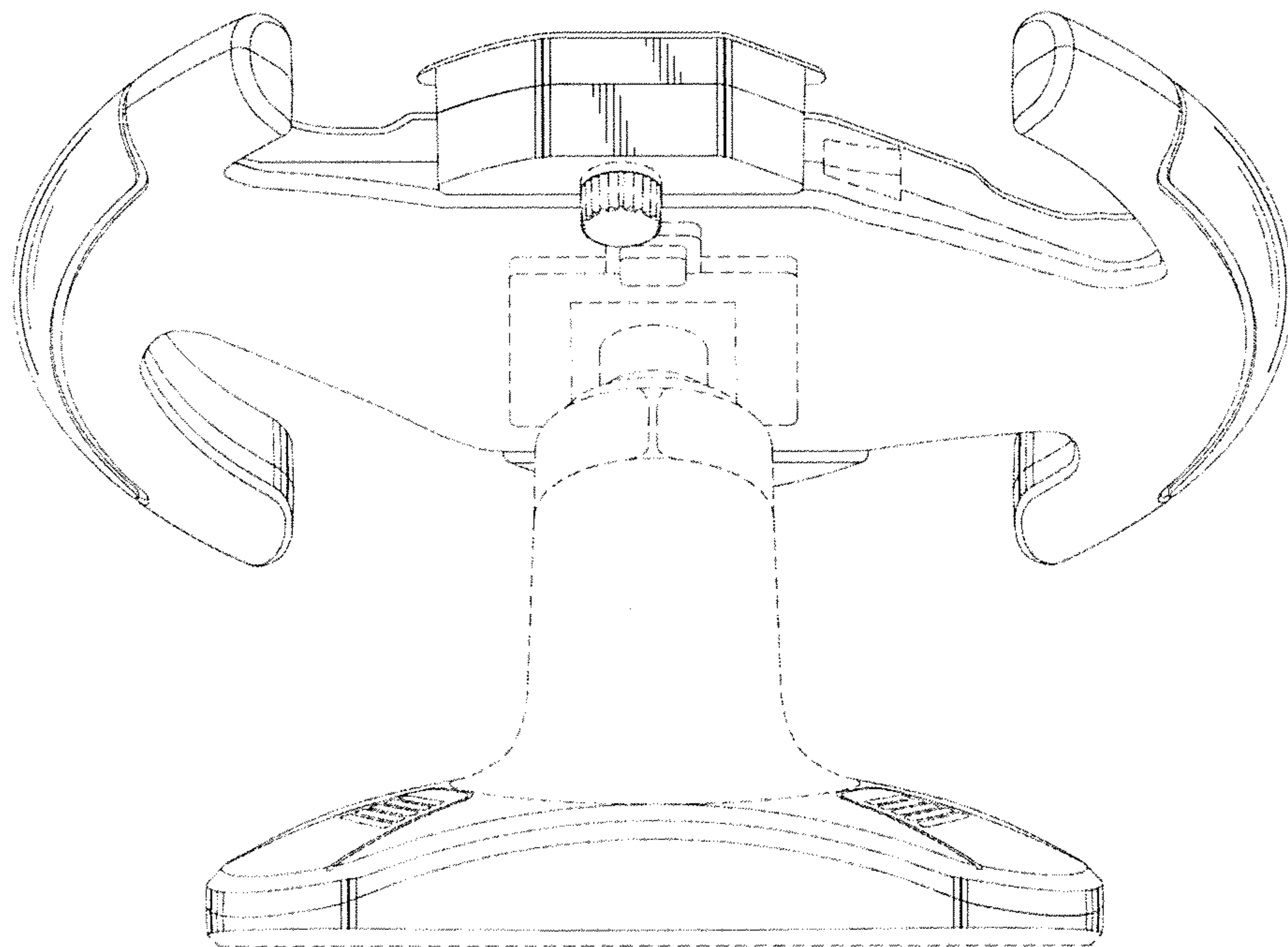


FIG. 3

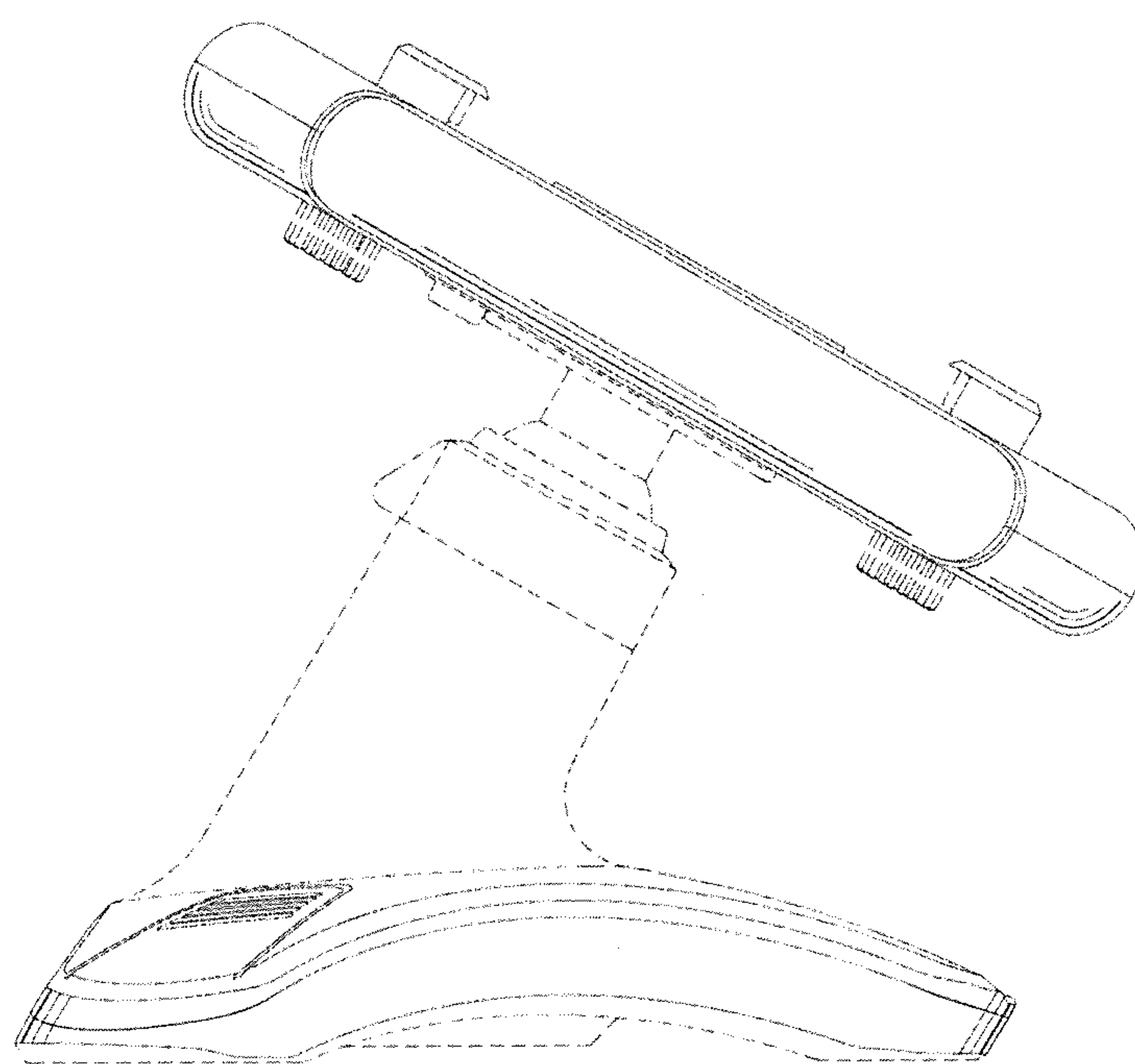


FIG. 4

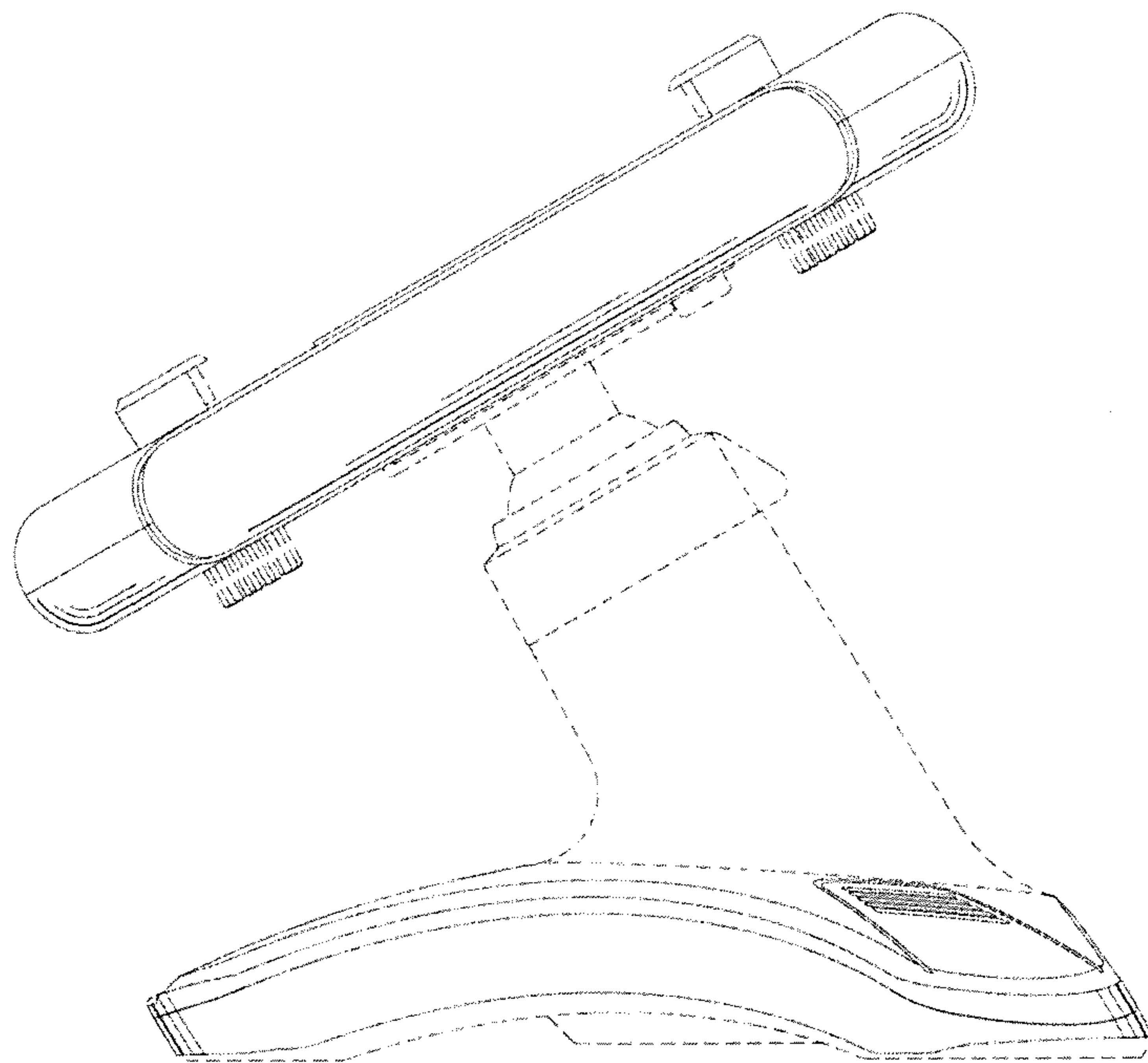


FIG. 5

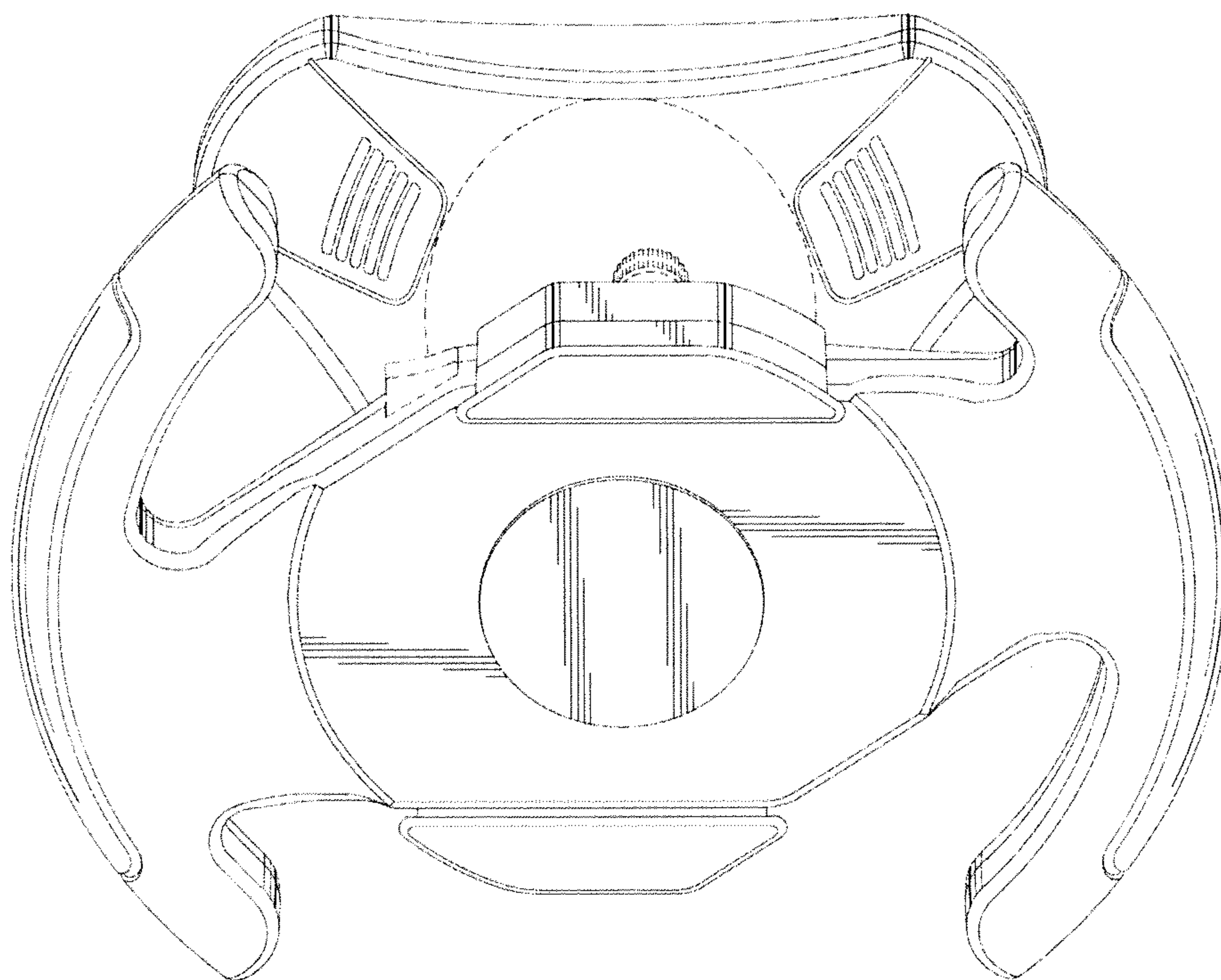


FIG. 6



FIG. 7

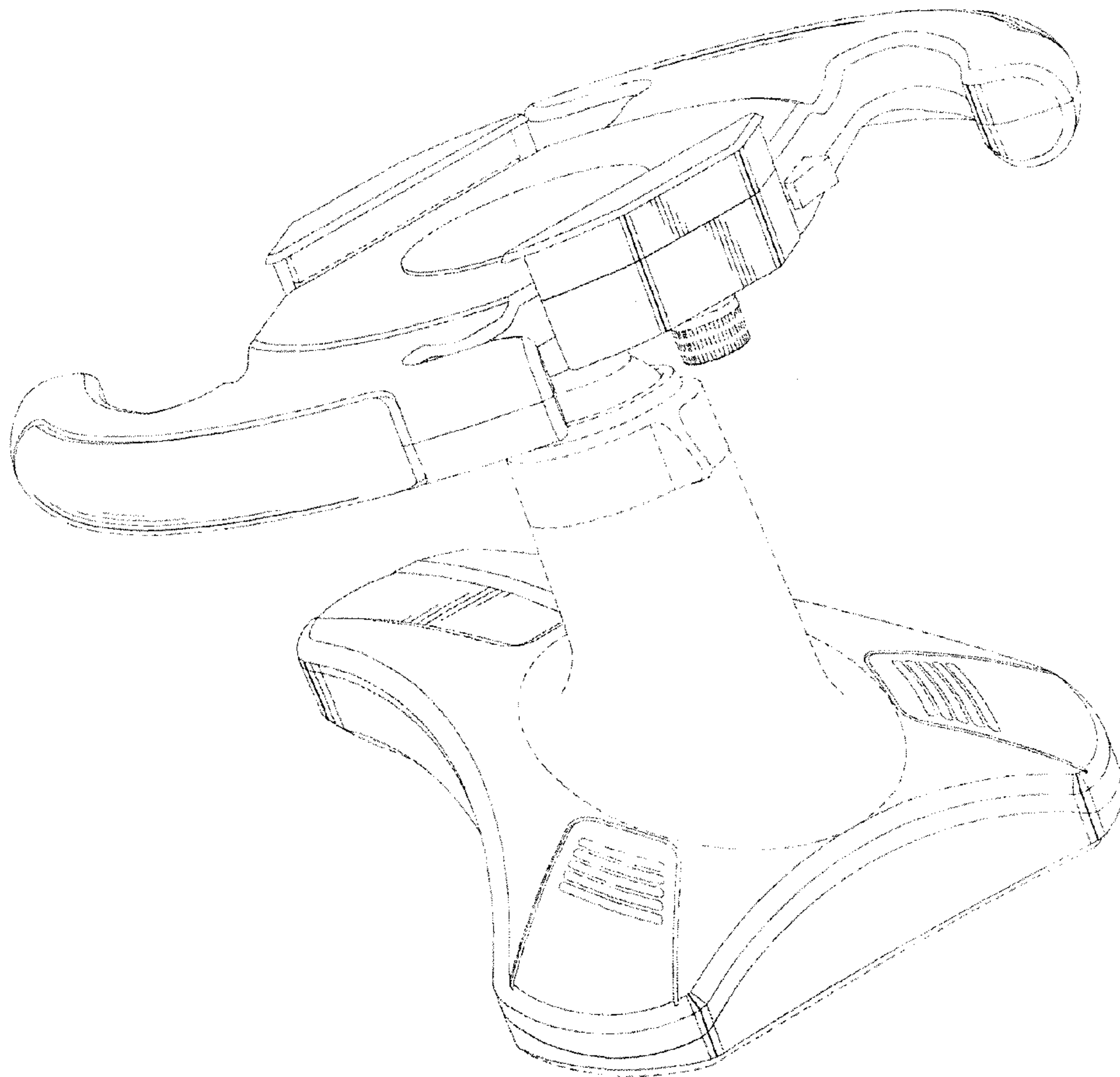


FIG. 8