

US00D695838S

(12) **United States Design Patent**  
**Cole et al.**

(10) **Patent No.:** **US D695,838 S**  
(45) **Date of Patent:** **\*\* Dec. 17, 2013**

(54) **IDENTIFICATION TAG**

(76) Inventors: **Duane Cole**, Texas City, TX (US);  
**Michael Douglas**, Santa Fe, TX (US)

(\*\*) Term: **14 Years**

(21) Appl. No.: **29/416,574**

(22) Filed: **Mar. 23, 2012**

(51) **LOC (9) Cl.** ..... **19-08**

(52) **U.S. Cl.**  
USPC ..... **D20/22; D20/27**

(58) **Field of Classification Search**  
USPC ..... D20/10, 19, 22-86, 99; 40/5, 124.02,  
40/299.01, 300, 302, 304, 316, 625, 626,  
40/642.01, 642.02, 647, 651-654, 654.01,  
40/658, 661, 662, 665, 666; D10/106.9,  
D10/106.94, 109.1; D30/155; 235/486;  
248/274.1; 283/56, 70, 74; 340/572.1  
See application file for complete search history.

(56) **References Cited**

**U.S. PATENT DOCUMENTS**

1,224,431	A *	5/1917	Van Vorst	.....	248/274.1
1,353,605	A	9/1920	Napolillo		
1,894,381	A	1/1933	Markie		
2,125,768	A	8/1938	Christensen et al.		
2,594,228	A	4/1952	Smith		
2,821,034	A	1/1958	Baker		
3,961,431	A *	6/1976	Kalenian	.....	40/665
4,261,121	A	4/1981	Coon		
4,318,495	A	3/1982	Wood		
4,512,093	A	4/1985	Kolton et al.		
D287,864	S *	1/1987	Perfect	.....	D20/27
4,690,288	A	9/1987	Mitchell		
4,862,617	A	9/1989	Cooke, Jr. et al.		
4,978,144	A *	12/1990	Schmidt et al.	.....	283/70
5,118,065	A	6/1992	Becklund et al.		
D358,475	S	5/1995	Choksi et al.		
D363,248	S	10/1995	Bogacki, III		

5,535,491	A	7/1996	Allport		
5,564,166	A	10/1996	Roy		
5,601,197	A	2/1997	Baxter		
5,863,021	A	1/1999	Nichols		
5,890,638	A	4/1999	Woloshen		
D438,908	S *	3/2001	Najmi	.....	D20/28
D438,909	S *	3/2001	Najmi	.....	D20/28
6,269,573	B1	8/2001	Najmi		
6,301,751	B1	10/2001	Ohlson		
6,523,292	B2	2/2003	Slavik		

(Continued)

**OTHER PUBLICATIONS**

Nap's Dealer Supplies, Inc., website, <http://www.naptags.com/bishtamatyfl.html>.

(Continued)

*Primary Examiner* — Mary Ann Calabrese  
(74) *Attorney, Agent, or Firm* — The Compton Law Firm, P.C.; Scott D. Compton

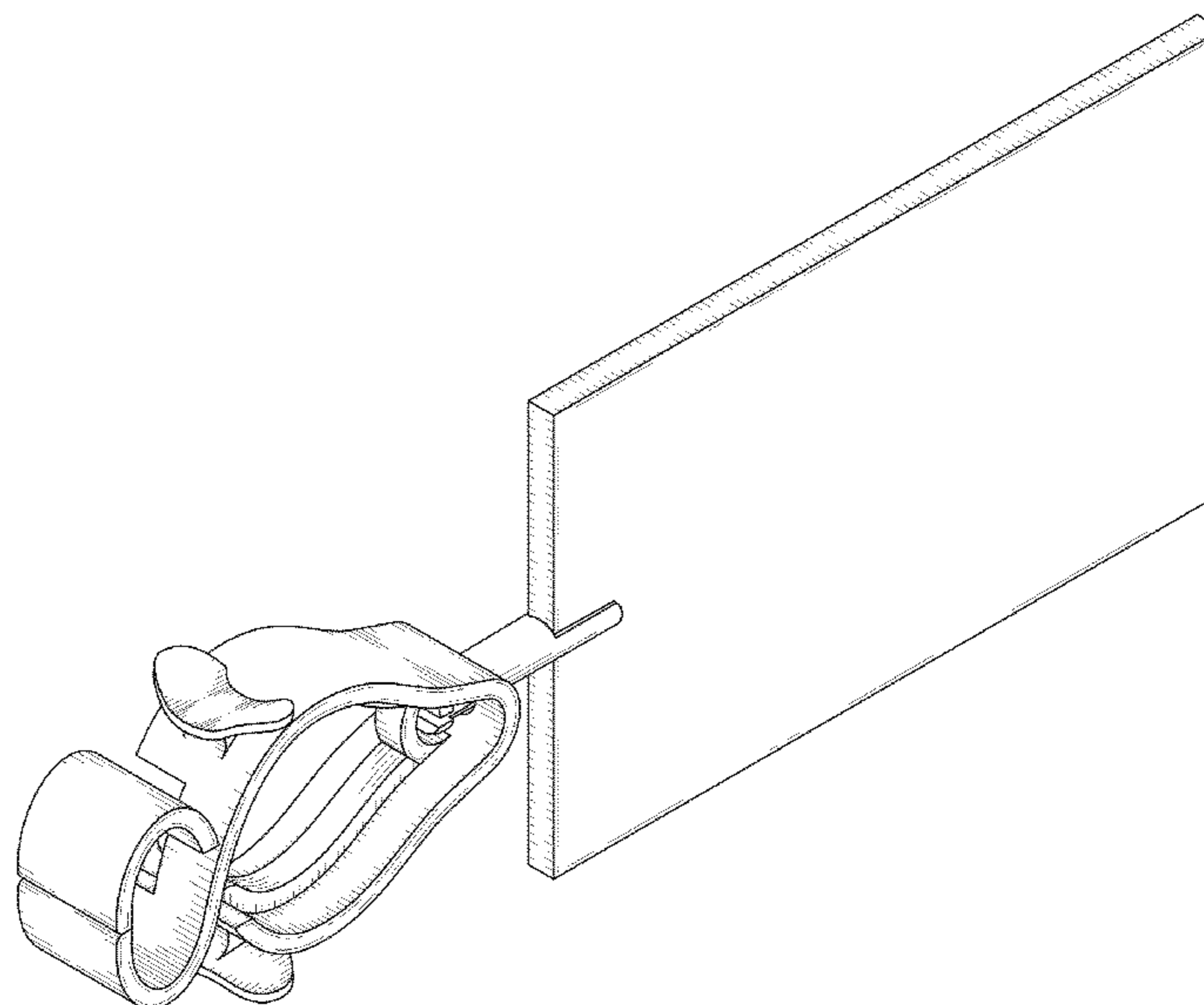
(57) **CLAIM**

The ornamental design for an identification tag, as shown and described.

**DESCRIPTION**

FIG. 1 is a perspective view of an identification tag including our new design;  
FIG. 2 is a right side view of the identification tag;  
FIG. 3 is a left side view of the identification tag;  
FIG. 4 is a front view of the identification tag;  
FIG. 5 is a rear view of the identification tag;  
FIG. 6 is a top view of the identification tag;  
FIG. 7 is a bottom view of the identification tag; and,  
FIG. 8 is a left side view of the identification tag, shown in use, whereby the broken lines illustrate environment and form no part of the claimed design.

**1 Claim, 4 Drawing Sheets**



(56)

**References Cited**

U.S. PATENT DOCUMENTS

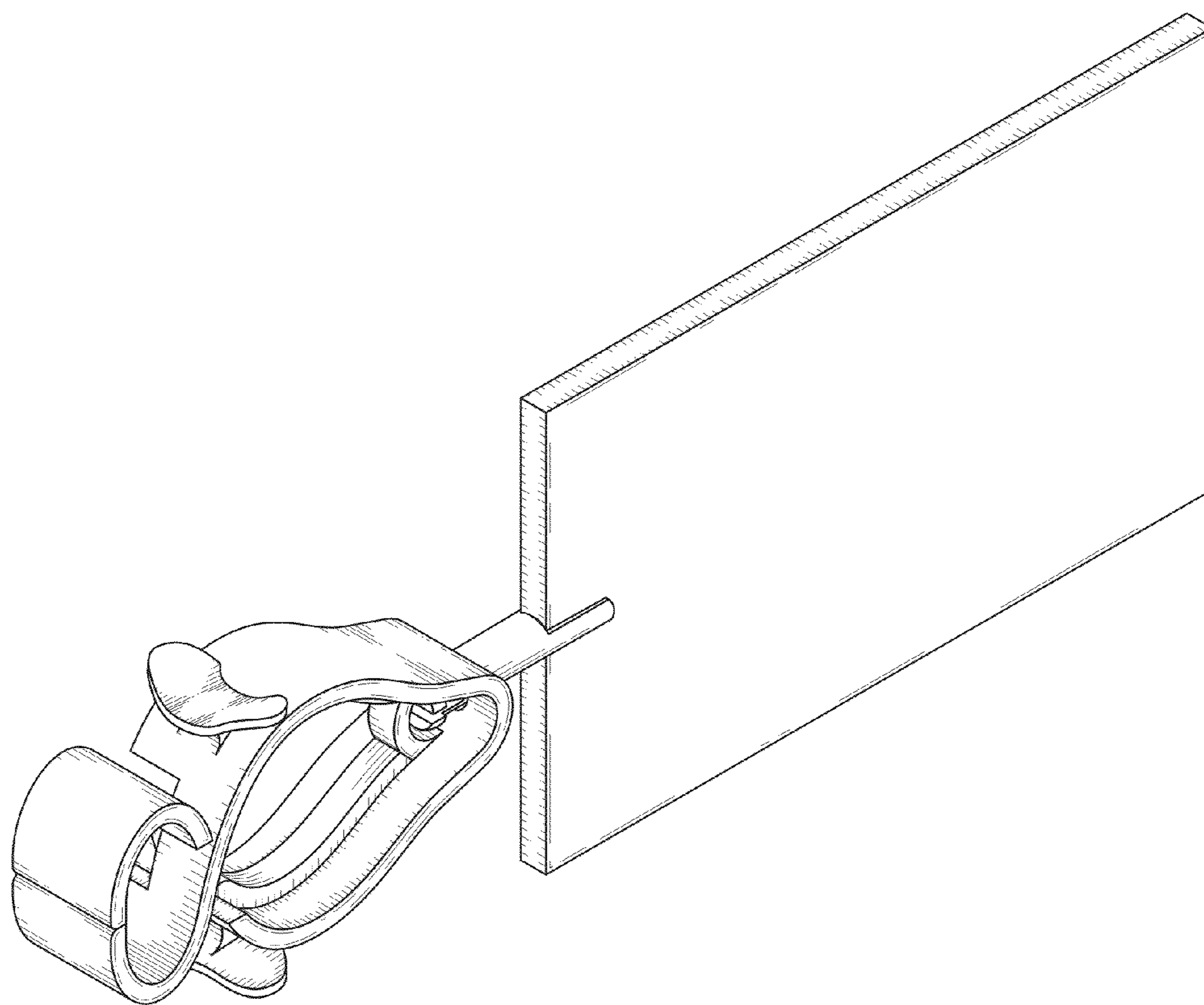
6,550,813 B1 \* 4/2003 Siegrist ..... 283/74  
 D479,561 S 9/2003 Meyer  
 6,799,389 B2 \* 10/2004 Wolfgang ..... 40/300  
 6,845,581 B2 1/2005 Doerr et al.  
 6,933,847 B2 \* 8/2005 Feibelman ..... 340/572.1  
 7,174,607 B1 2/2007 Buettell  
 7,305,782 B2 12/2007 Olsen  
 7,451,561 B2 \* 11/2008 Weisbart ..... 40/654.01  
 7,752,787 B2 7/2010 Duffy  
 D672,264 S \* 12/2012 Ochoa ..... D10/109.1  
 2001/0049896 A1 12/2001 Doerr et al.  
 2002/0083632 A1 7/2002 Hyde et al.  
 2002/0095844 A1 7/2002 Slavik  
 2003/0136039 A1 7/2003 Su et al.  
 2003/0200689 A1 10/2003 Cohon

2005/0199001 A1 9/2005 Yozevitch  
 2005/0247079 A1 11/2005 Padeh  
 2006/0260156 A1 11/2006 Ritchey  
 2007/0214691 A1 9/2007 Olsen  
 2007/0267307 A1 11/2007 Chang  
 2008/0034626 A1 2/2008 Brem et al.  
 2008/0098637 A1 5/2008 Pratt  
 2009/0007470 A1 1/2009 Hill  
 2009/0019751 A1 1/2009 Goetting  
 2009/0064548 A1 3/2009 Vilaseca Vintro  
 2009/0320770 A1 12/2009 Rolain et al.  
 2010/0000133 A1 \* 1/2010 Kent et al. .... 40/124.02

OTHER PUBLICATIONS

Kolbi Pipemarker Co., website, <http://www.kolbipipemarkers.com/valve.php>.

\* cited by examiner



**FIG. 1**

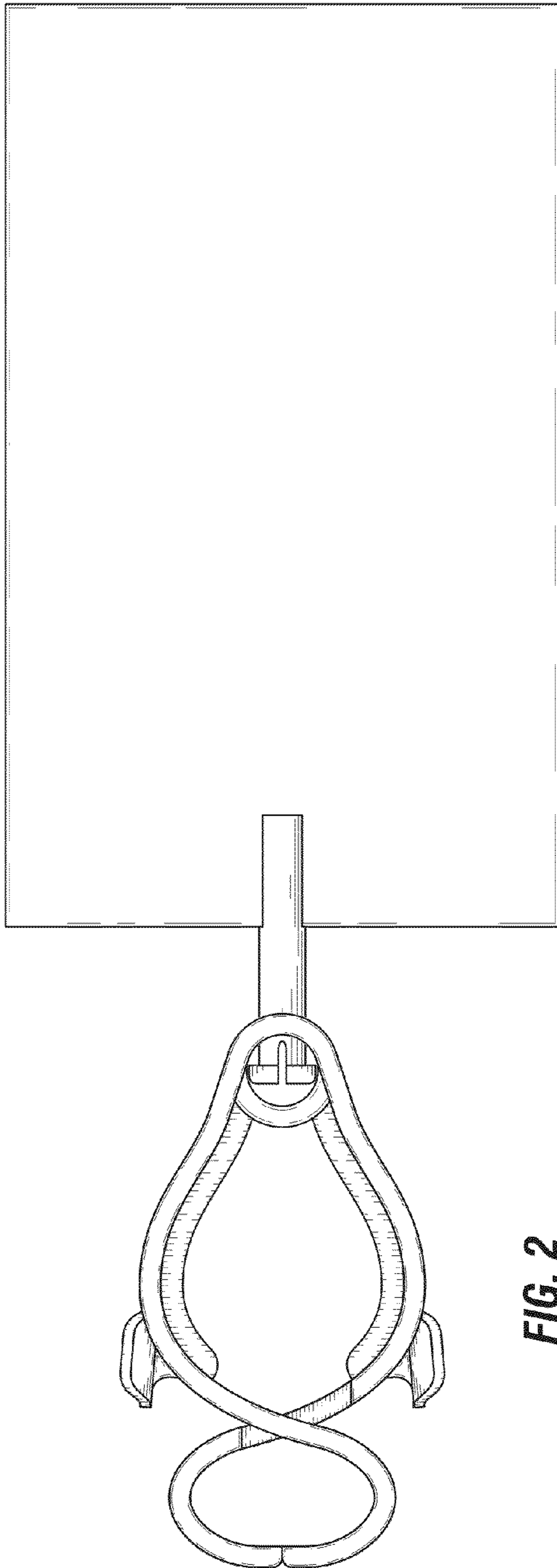


FIG. 2

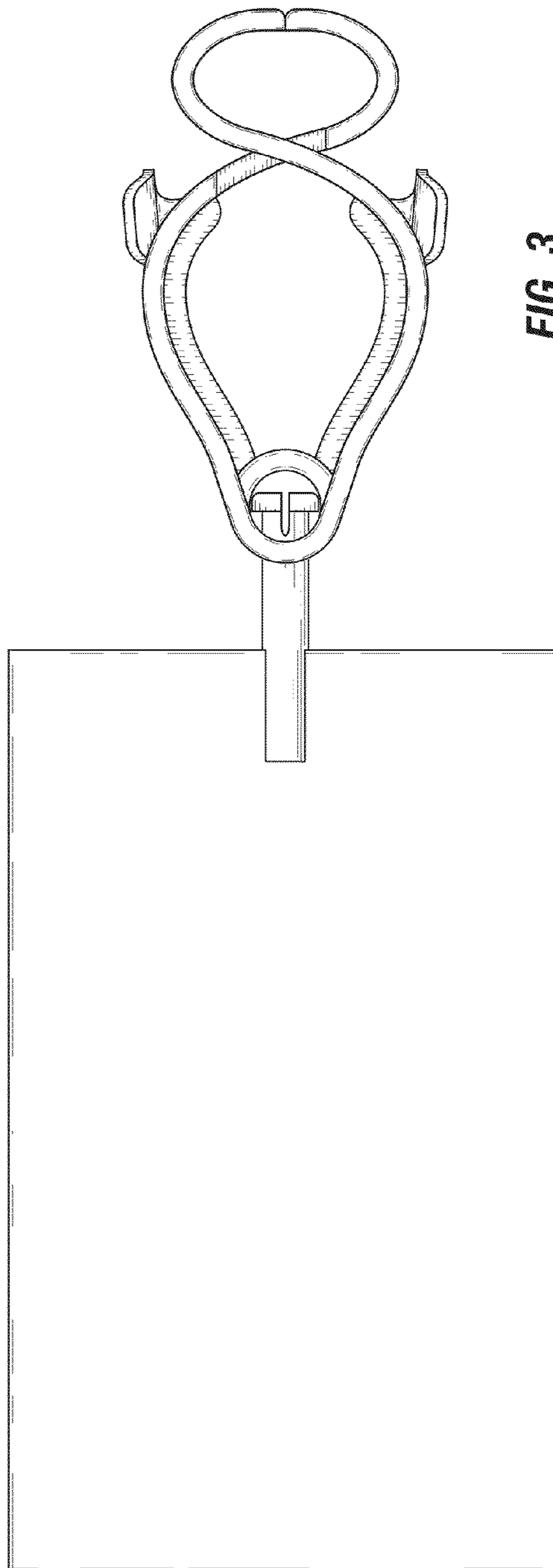


FIG. 3

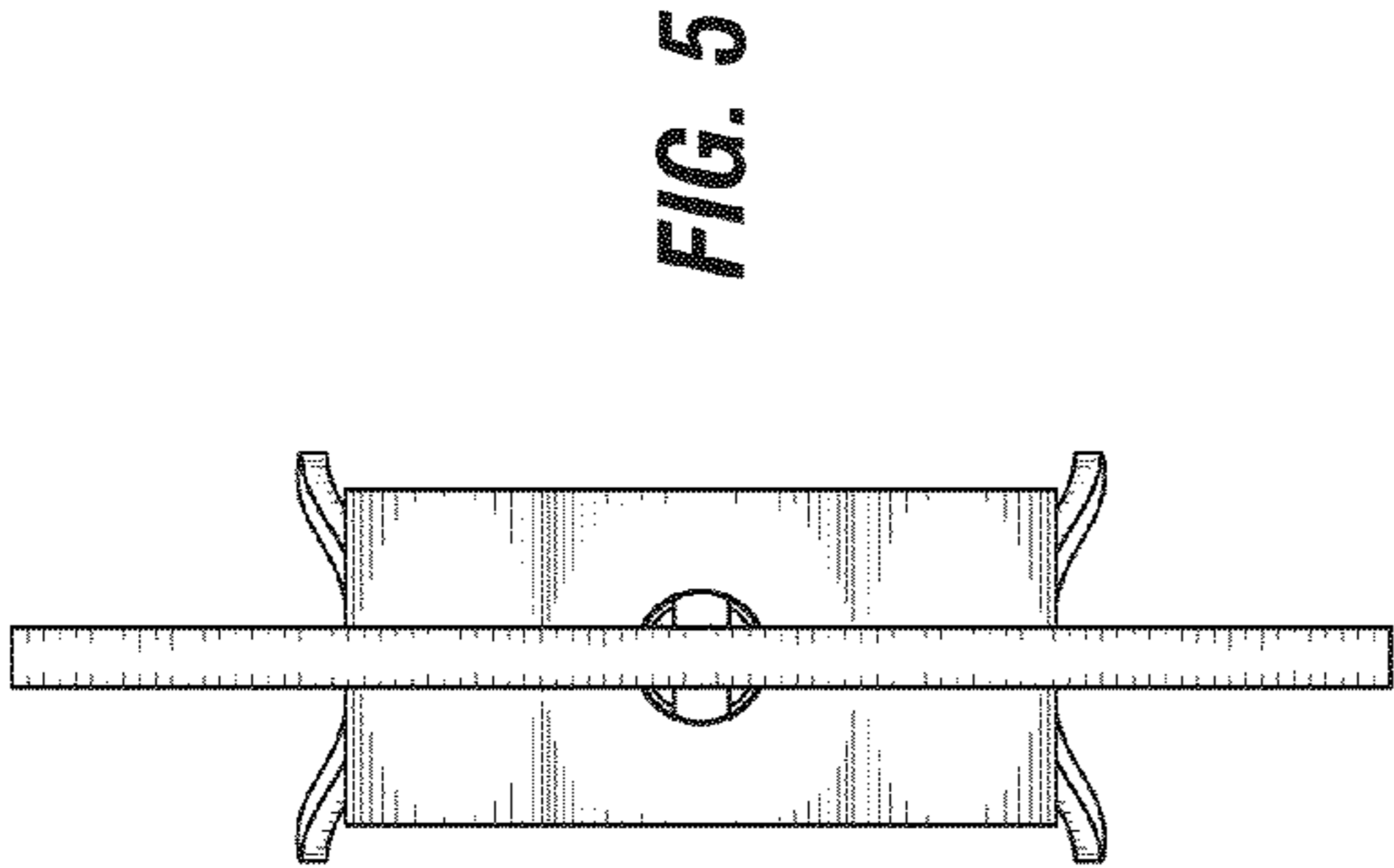


FIG. 5

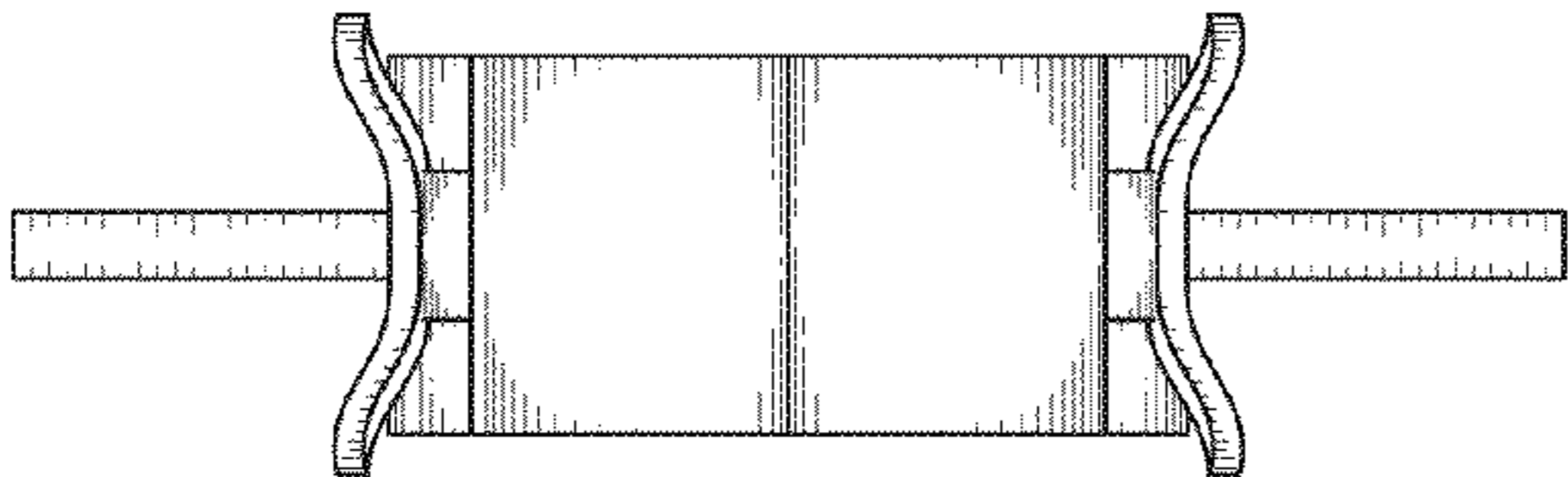


FIG. 4

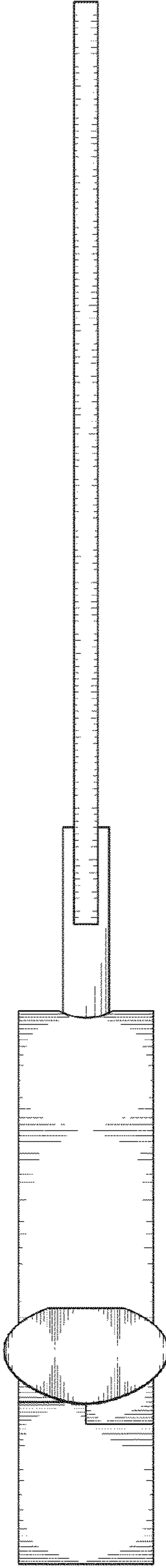


FIG. 6

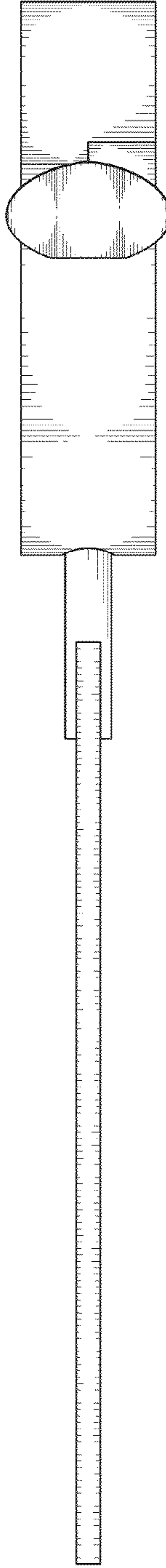


FIG. 7

**FIG. 8**

