

US00D695837S

(12) **United States Design Patent**
Lueken

(10) **Patent No.:** **US D695,837 S**
(45) **Date of Patent:** **** Dec. 17, 2013**

- (54) **COMBINED SHOPPING CART CORRAL WITH ADVERTISING PANELS**
- (71) Applicant: **Starlite Media, LLC**, New York, NY (US)
- (72) Inventor: **Harold Lueken**, New York, NY (US)
- (73) Assignee: **Starlite Media, LLC**, New York, NY (US)
- (**) Term: **14 Years**
- (21) Appl. No.: **29/448,723**
- (22) Filed: **Mar. 13, 2013**
- (51) **LOC (9) Cl.** **20-03**
- (52) **U.S. Cl.**
USPC **D20/19**
- (58) **Field of Classification Search**
USPC D20/10, 15, 17-19, 39-43, 99; 40/445, 40/446, 452, 538-543, 553, 584, 585, 594, 40/596, 600, 605, 606.03, 606.18, 607.01, 40/611.01, 612, 615, 617, 642.02, 40/649-651, 661, 661.03, 645; D10/109.1, 109.2, 113.4; D25/22, 32, D25/38.1; 211/17, 204; 256/25
See application file for complete search history.

D269,978 S	8/1983	Dickson	
4,609,183 A	9/1986	Ulmer	
D286,074 S	10/1986	Corte	
4,777,750 A	10/1988	Garfinkle	
4,884,353 A	12/1989	Taylor	
4,918,878 A	4/1990	Paschke et al.	
D321,798 S	11/1991	Buckley	
D334,301 S	3/1993	Buckley	
5,201,426 A	4/1993	Cruwell	
5,220,740 A	6/1993	Brault	
5,279,085 A	1/1994	DiPaolo et al.	
D350,038 S	8/1994	Buckley	
D361,448 S	8/1995	Buckley	
5,551,578 A	9/1996	McCue et al.	
D376,854 S	12/1996	DiPaolo et al.	
5,626,926 A	5/1997	Roberts	
5,862,921 A	1/1999	Venegas	
5,875,578 A	3/1999	Grewe	
5,878,518 A	3/1999	Grewe	
6,298,997 B1	10/2001	Jarrett et al.	
6,449,888 B1 *	9/2002	Gibbs	40/575

(Continued)

Primary Examiner — Mary Ann Calabrese
(74) *Attorney, Agent, or Firm* — Bryan Cave LLP

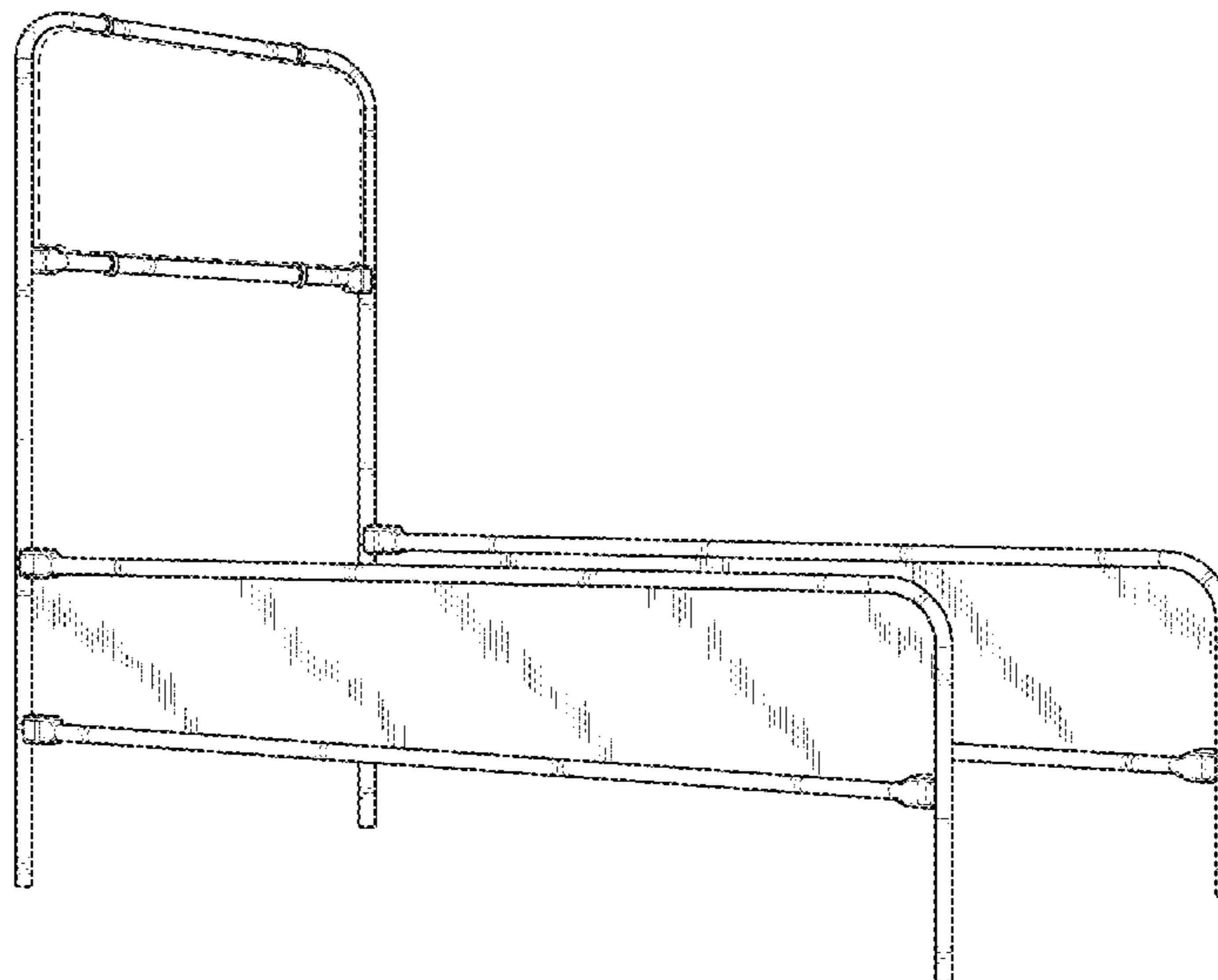
(57) **CLAIM**
The ornamental design for a combined shopping cart corral with advertising panels, as shown and described.

DESCRIPTION

FIG. 1 is a perspective view of the combined shopping cart corral with advertising panels;
FIG. 2 is a right side view thereof;
FIG. 3 is a left side view thereof;
FIG. 4 is a front view thereof;
FIG. 5 is a rear view thereof; and,
FIG. 6 is a top view thereof.
The broken lines in the drawings of the shopping cart corral in FIGS. 1-6 are for the purpose of illustrating an environment only and form no part of the claimed design.

1 Claim, 5 Drawing Sheets

- (56) **References Cited**
U.S. PATENT DOCUMENTS
- D31,832 S 11/1899 Marcus
- 1,927,997 A * 9/1933 Turner et al. 211/38
- 2,165,724 A 7/1939 Le
- 2,985,316 A * 5/1961 Ruhnke 211/201
- 3,323,655 A 6/1967 Foran et al.
- D219,946 S 2/1971 Birnberg
- 3,722,702 A * 3/1973 Marker, Jr. 211/204
- 4,236,697 A 12/1980 Savino
- 4,292,352 A 9/1981 Singer
- 4,364,192 A * 12/1982 Lloyd 40/791



(56)

References Cited

U.S. PATENT DOCUMENTS

6,493,997 B2	12/2002	Cohen	D588,201 S *	3/2009	Kohagen et al.	D20/42
6,581,616 B1	6/2003	Venegas	D615,129 S	5/2010	Allen	
D488,904 S	4/2004	Unnerstall et al.	D620,531 S	7/2010	Allen	
D492,732 S	7/2004	Herbst	7,895,782 B2	3/2011	Farrell	
D495,011 S	8/2004	Trubiano	8,015,737 B2 *	9/2011	Venegas, Jr.	40/607.03
D497,167 S	10/2004	Ozolins et al.	D653,709 S	2/2012	Allen	
7,044,446 B2	5/2006	Hempen et al.	RE43,233 E *	3/2012	Venegas, Jr.	211/17
7,140,581 B1	11/2006	White	8,205,757 B2	6/2012	Allen	
D537,952 S	3/2007	Anton	D663,779 S	7/2012	Lueken	
D540,472 S	4/2007	Van Es	D667,504 S	9/2012	Allen	
7,210,270 B1	5/2007	King et al.	8,424,690 B2	4/2013	Allen	
7,237,360 B2	7/2007	Moncho et al.	D682,944 S	5/2013	Lueken	
D587,761 S	3/2009	Grimshaw	2004/0079934 A1	4/2004	Hempen et al.	
			2008/0040962 A1	2/2008	Gurren	
			2008/0120877 A1	5/2008	Farrell	
			2010/0327245 A1 *	12/2010	Allen	256/25

* cited by examiner

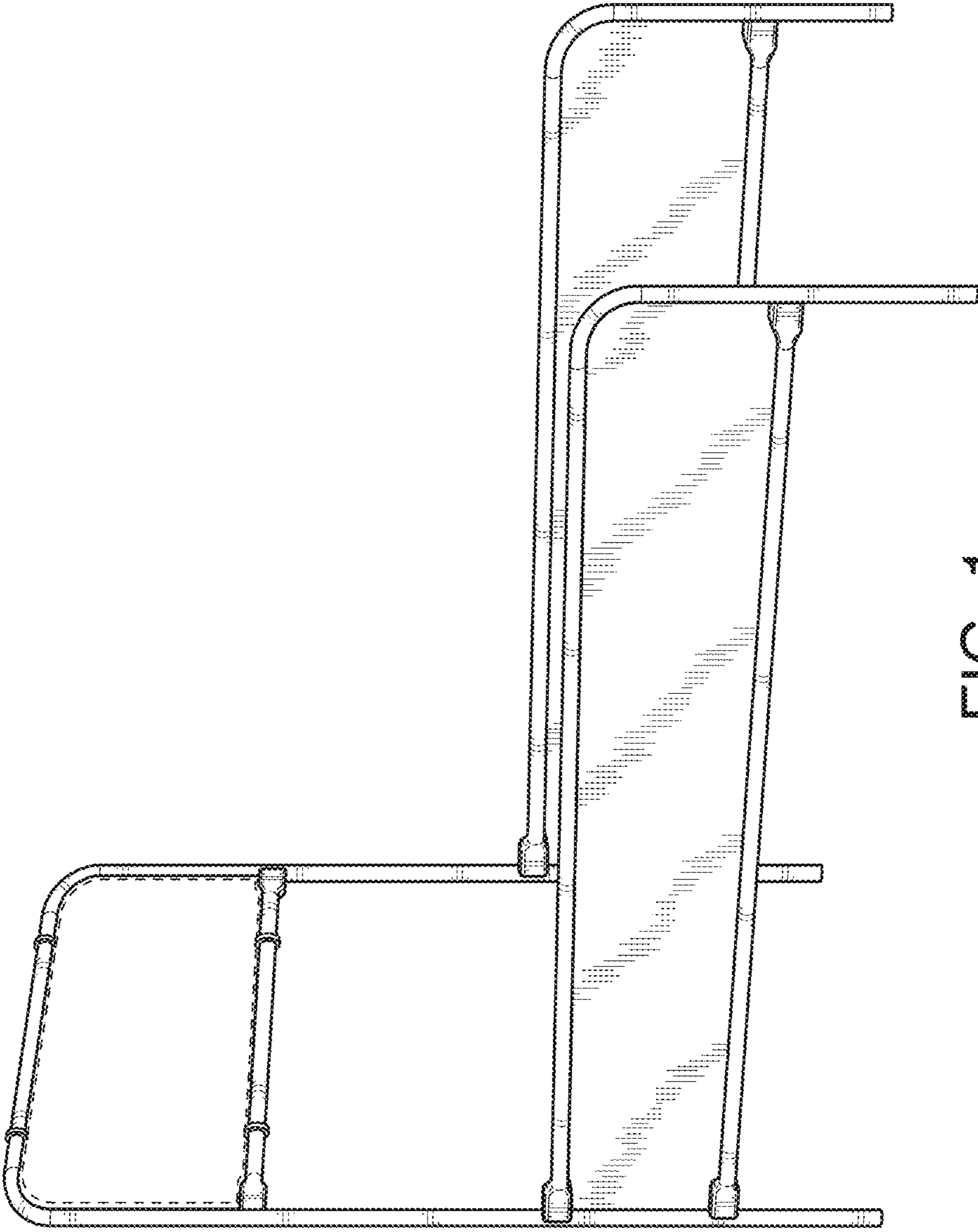


FIG. 1

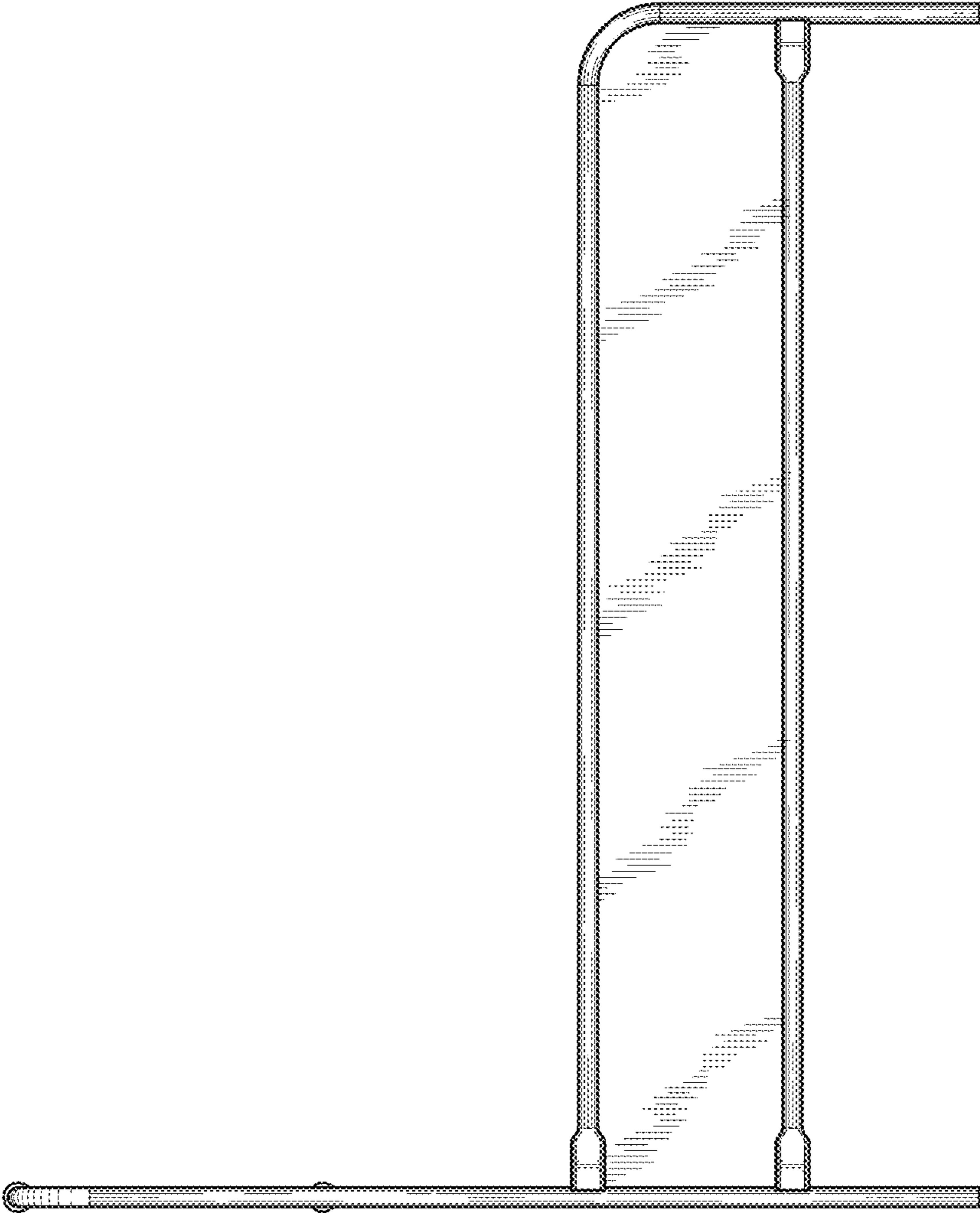


FIG. 2

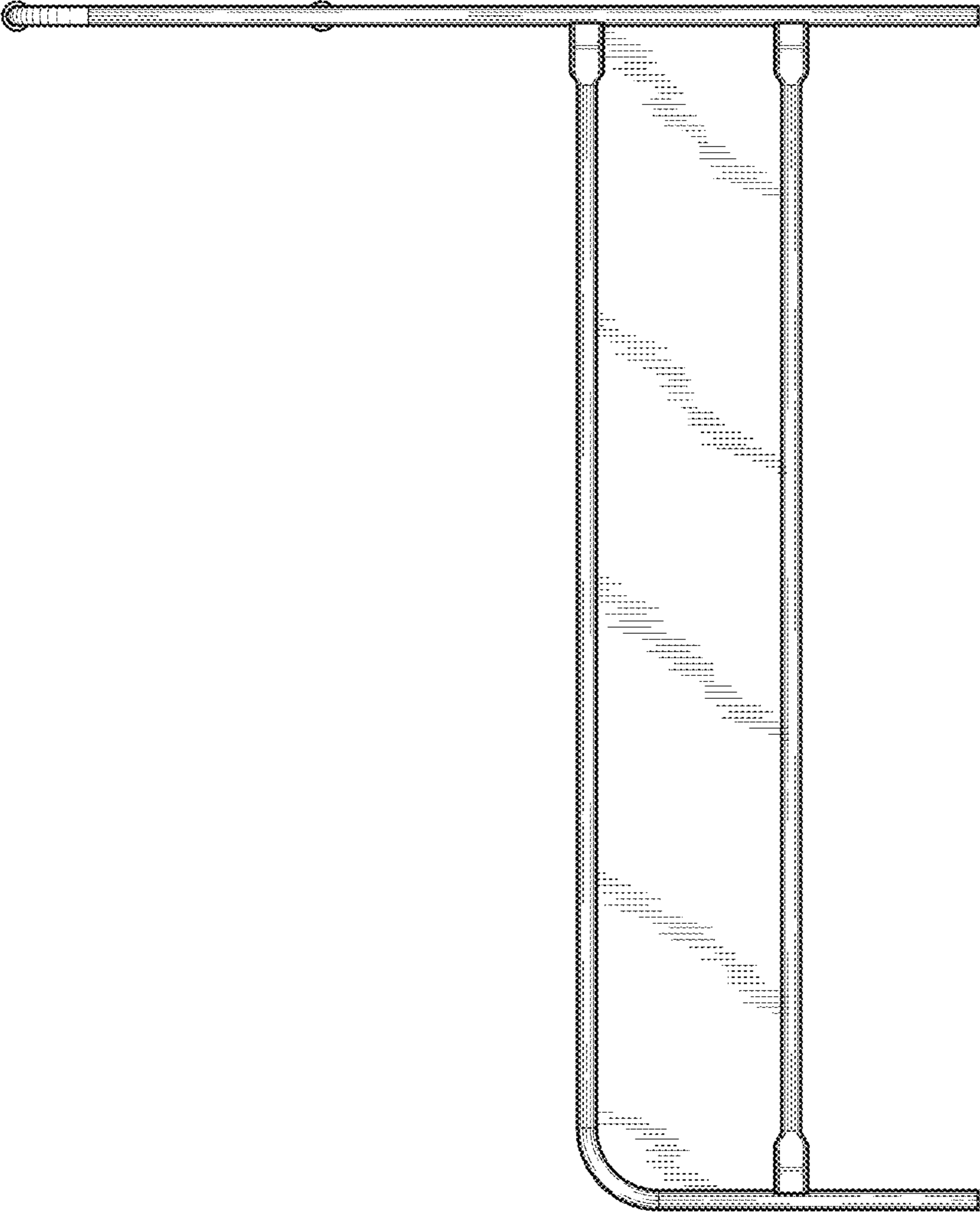


FIG. 3

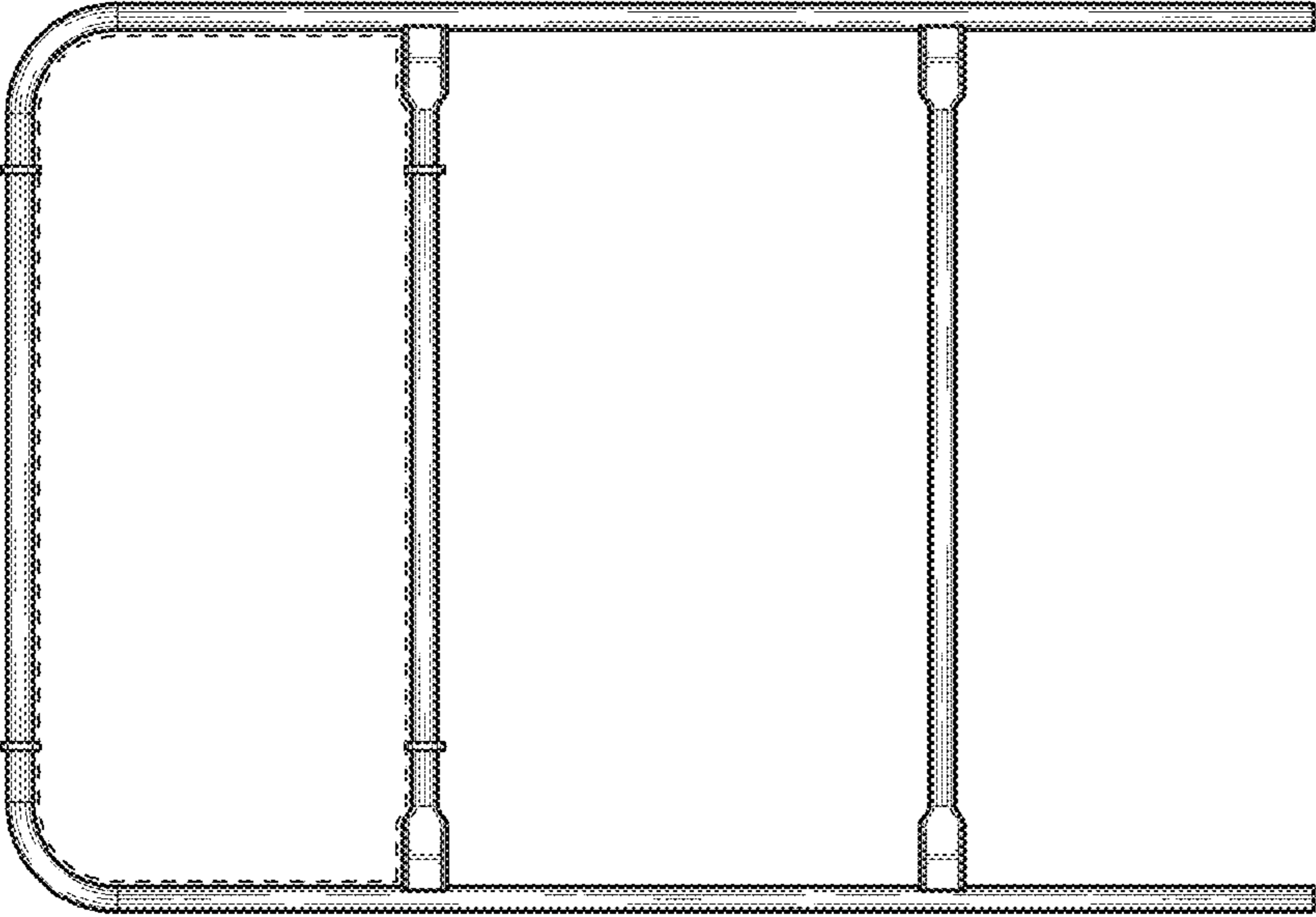


FIG. 5

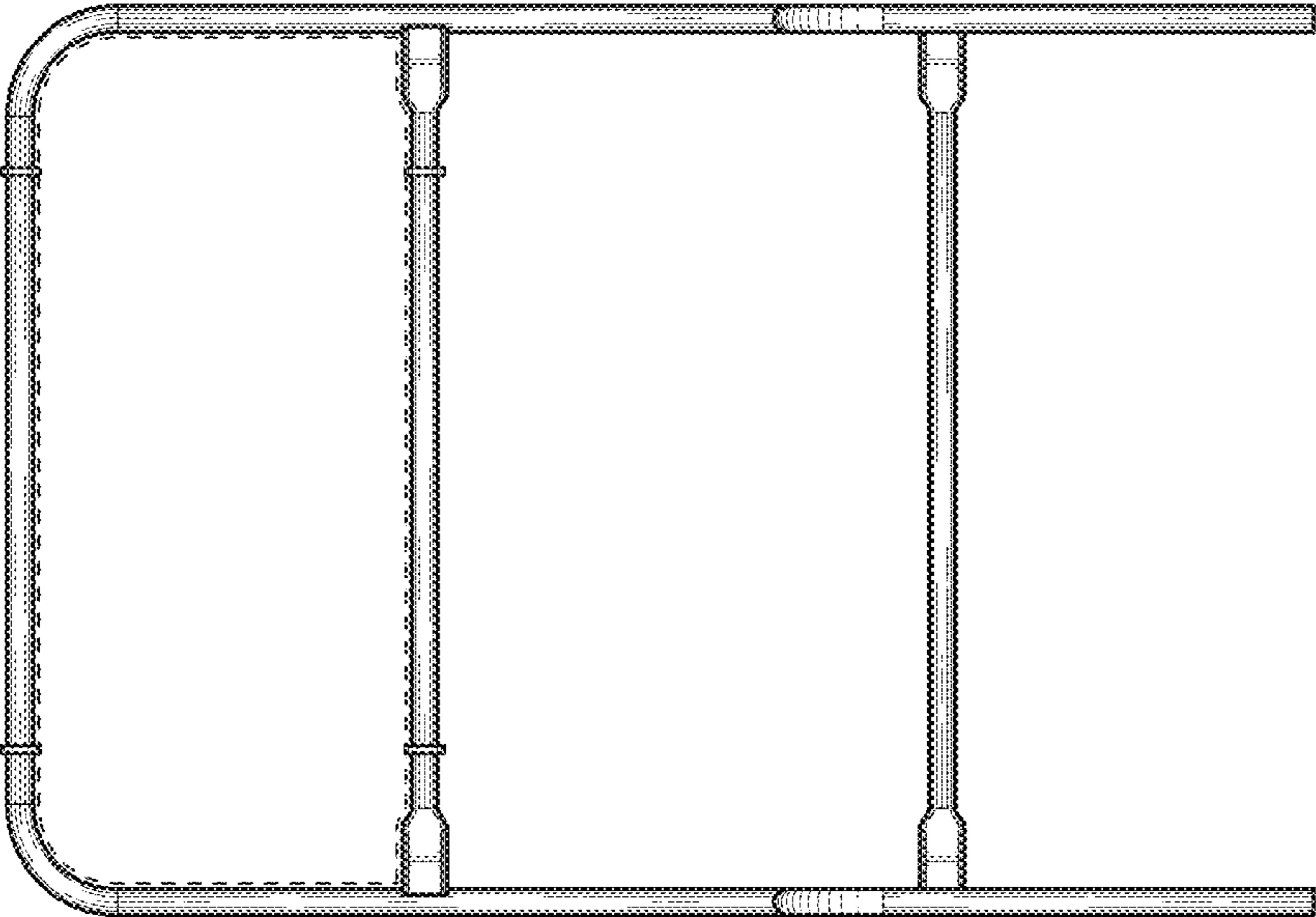


FIG. 4

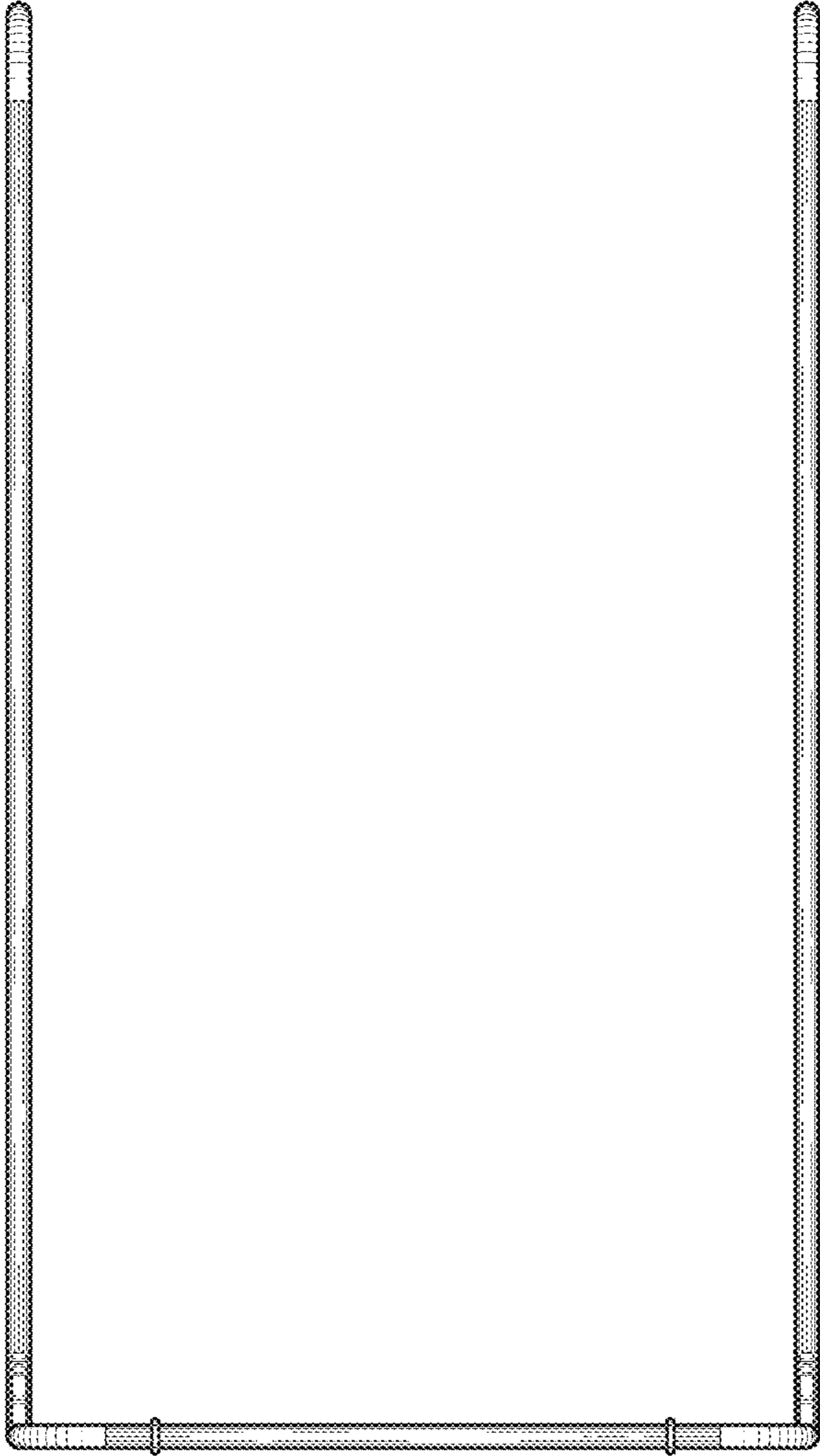


FIG. 6