



US00D695826S

(12) **United States Design Patent**
Xie

(10) **Patent No.:** **US D695,826 S**

(45) **Date of Patent:** **** Dec. 17, 2013**

(54) **PEN**
(71) Applicant: **Beifa Group Co., Ltd.**, Zhejiang (CN)
(72) Inventor: **Jianzhe Xie**, Ningbo (CN)
(73) Assignee: **Beifa Group Co., Ltd.**, Ningbo (CN)
(**) Term: **14 Years**
(21) Appl. No.: **29/434,088**
(22) Filed: **Oct. 9, 2012**

D510,950 S * 10/2005 Eddington et al. D19/57
D562,395 S * 2/2008 Qiu et al. D19/51
D564,588 S * 3/2008 Daida D19/57
D591,351 S * 4/2009 Shi D19/50
D603,452 S * 11/2009 Rolion et al. D19/50
D603,901 S * 11/2009 Rolion et al. D19/57
D610,617 S * 2/2010 Zhang D19/50
D628,239 S * 11/2010 Yazawa D19/47
D641,410 S * 7/2011 Tan D19/50
D641,411 S * 7/2011 Tan D19/50
D669,129 S * 10/2012 Liang D19/57
D676,546 S * 2/2013 Lovell et al. D24/113
D678,944 S * 3/2013 Xie D19/50
D678,945 S * 3/2013 Jiang D19/51
D679,328 S * 4/2013 Jiang D19/57

(30) **Foreign Application Priority Data**
Apr. 9, 2012 (CN) 2012 3 0099550
(51) **LOC (9) Cl.** **19-06**
(52) **U.S. Cl.**
USPC **D19/50**
(58) **Field of Classification Search**
USPC D14/411; D19/35, 36, 41-51, 53-58;
24/11 F, 11 P, 11 R; 401/52, 99-109,
401/192, 195, 196
See application file for complete search history.

OTHER PUBLICATIONS

Xie, J., "Pen Cap," U.S. Appl. No. 29/437,242, filed Nov. 14, 2012.

* cited by examiner

Primary Examiner — Elizabeth Albert
(74) *Attorney, Agent, or Firm* — Christensen O'Connor Johnson Kindness PLLC

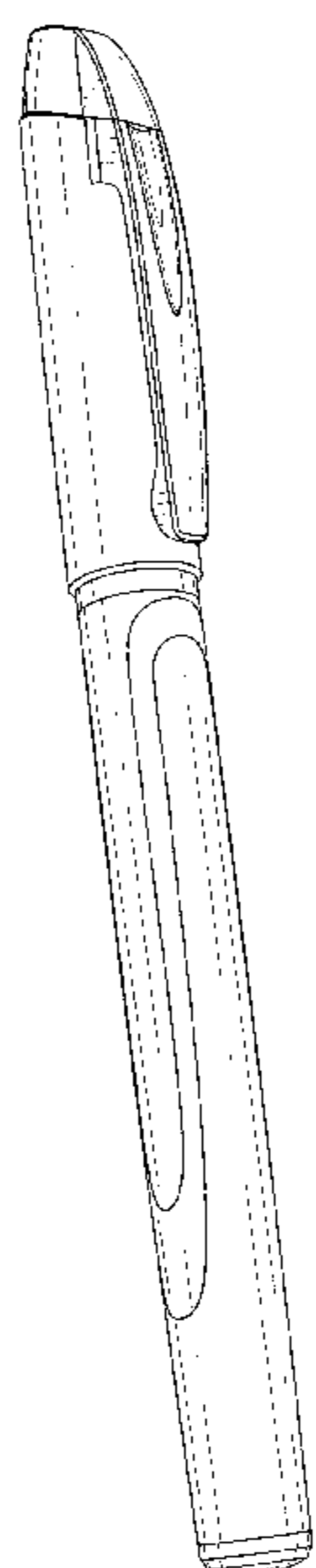
(56) **References Cited**
U.S. PATENT DOCUMENTS
D253,060 S * 10/1979 Itoh D19/48
D270,843 S 10/1983 Itoh
D305,551 S * 1/1990 Oka D19/57
D396,729 S 8/1998 Ham
D398,934 S * 9/1998 Veillon D19/51
D409,660 S 5/1999 Izushima
D426,572 S * 6/2000 Salemme et al. D19/47
D452,526 S 12/2001 Nishida
D455,176 S * 4/2002 Hu D19/53
D462,386 S * 9/2002 Iwase et al. D19/43
D479,856 S 9/2003 Hui
D484,537 S * 12/2003 Arita et al. D19/43
D489,088 S * 4/2004 Arita et al. D19/43

(57) **CLAIM**
The ornamental design for a pen, as shown and described.

DESCRIPTION

FIG. 1 is a lower front left perspective view of a pen showing my new design;
FIG. 2 is a front elevation view thereof;
FIG. 3 is a left side elevation view thereof, with the right side elevation view being a mirror image of the left side elevation view;
FIG. 4 is a rear elevation view thereof;
FIG. 5 is a top plan view thereof;
FIG. 6 is a bottom plan view thereof;
FIG. 7 is an enlarged top plan view thereof; and,
FIG. 8 is an enlarged bottom plan view thereof.

1 Claim, 3 Drawing Sheets



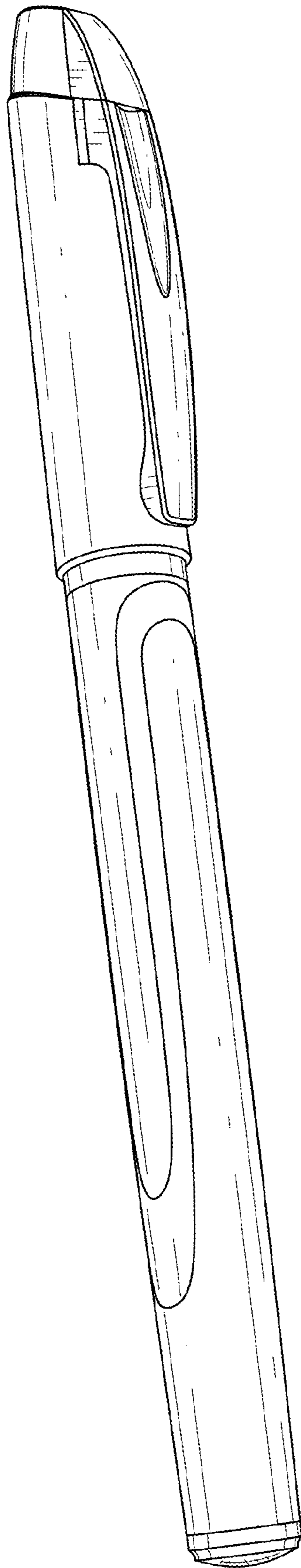


Fig. 1.

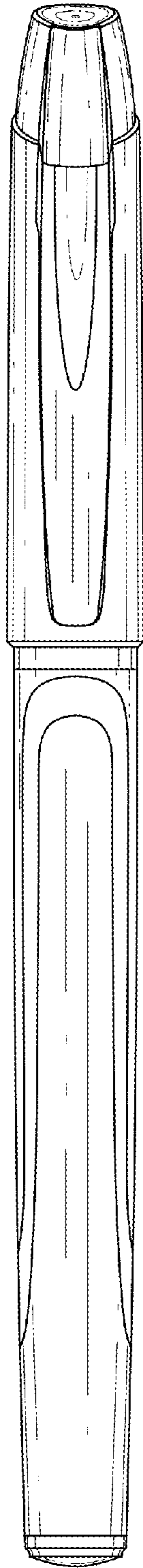


Fig.2.

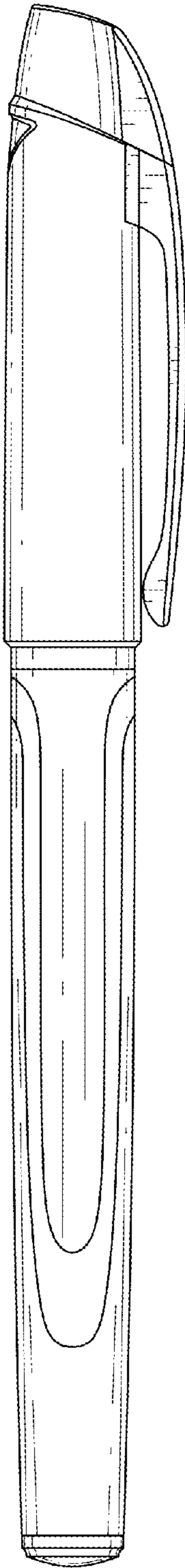


Fig.3.

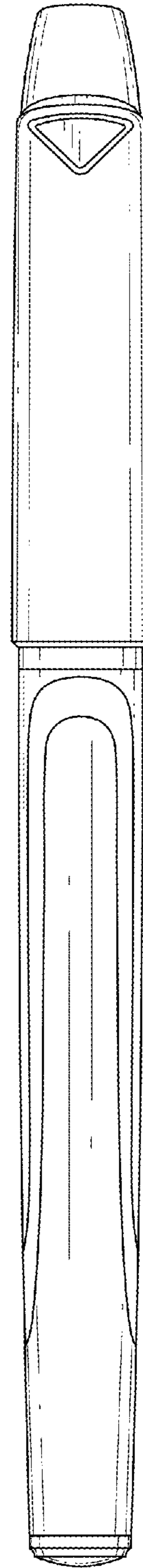


Fig.4.

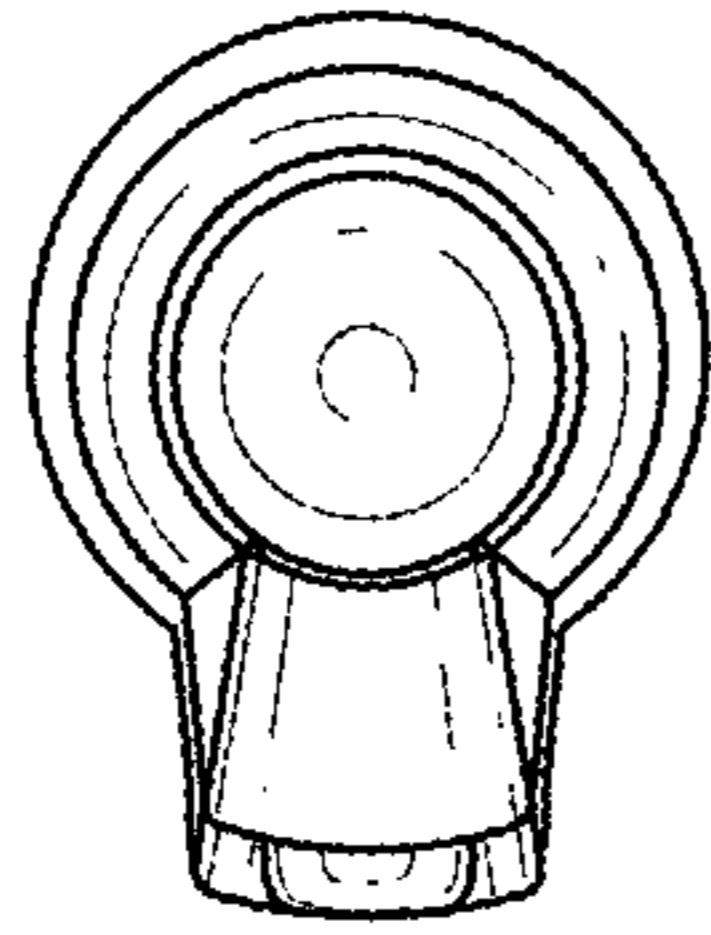


Fig. 5.

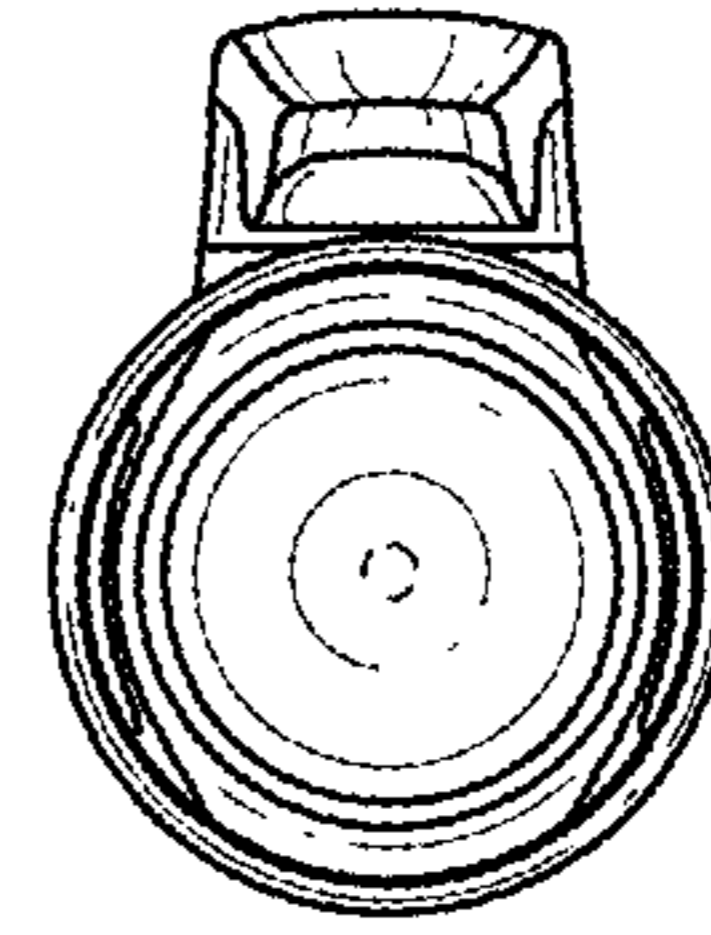


Fig. 6.

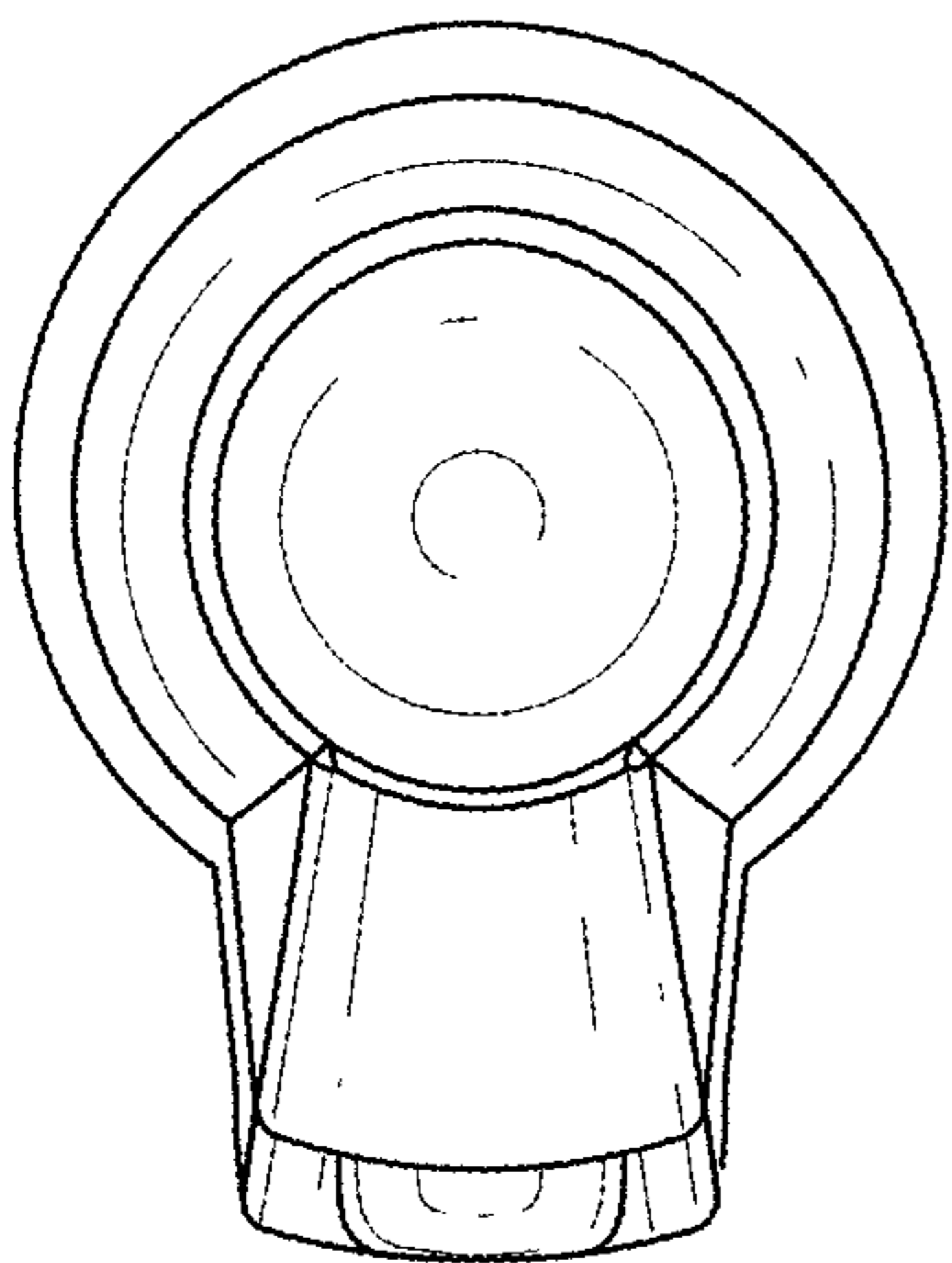


Fig. 7.

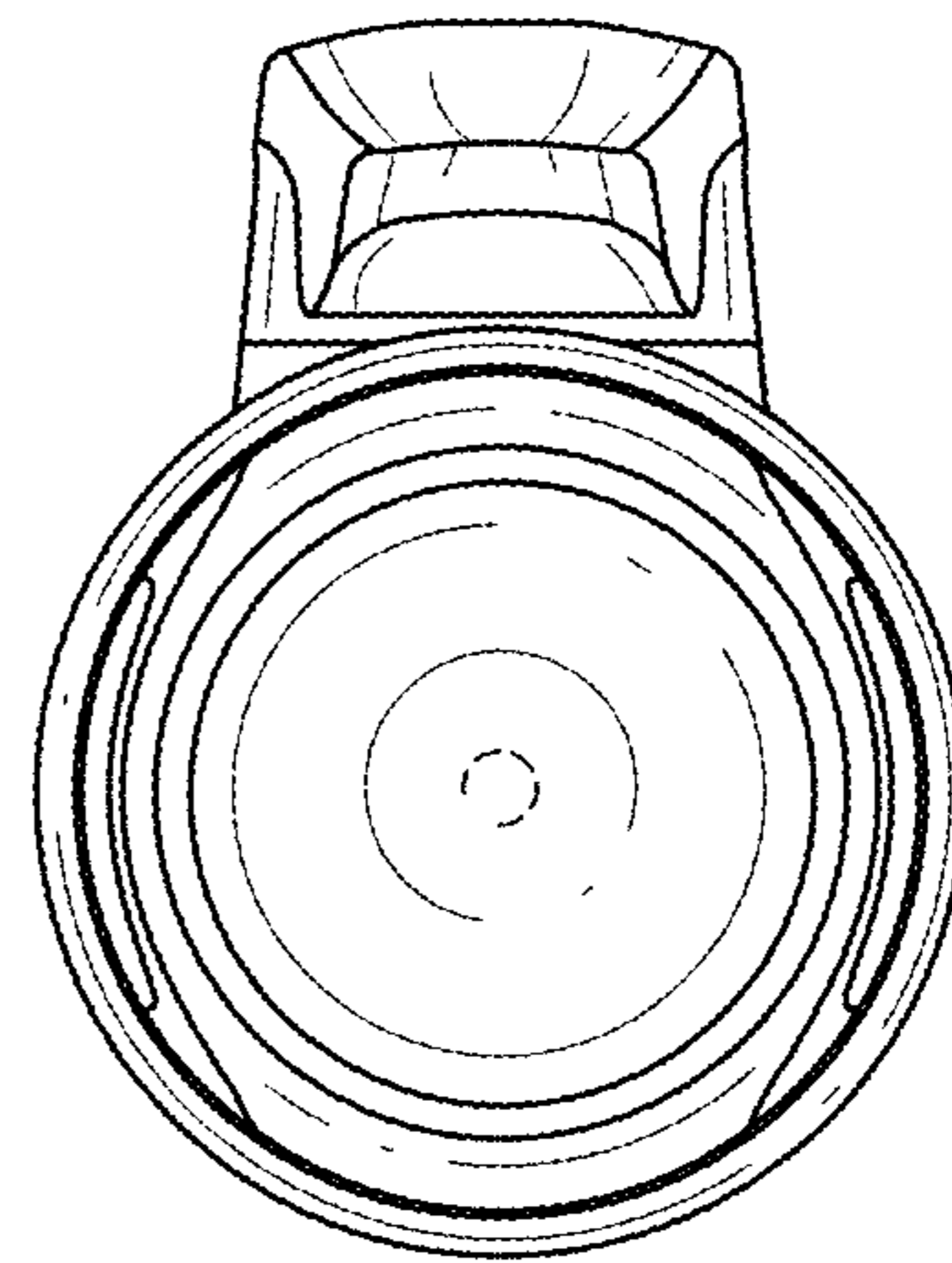


Fig. 8.