



US00D695823S

(12) **United States Design Patent**
Nozawa et al.

(10) **Patent No.:** **US D695,823 S**
(45) **Date of Patent:** **** Dec. 17, 2013**

(54) **INK CARTRIDGE**

(71) Applicant: **Seiko Epson Corporation**, Tokyo (JP)

(72) Inventors: **Izumi Nozawa**, Matsumoto (JP);
Tadahiro Mizutani, Shiojiri (JP);
Atsushi Kobayashi, Matsumoto (JP)

(73) Assignee: **Seiko Epson Corporation**, Tokyo (JP)

(**) Term: **14 Years**

(21) Appl. No.: **29/446,473**

(22) Filed: **Feb. 25, 2013**

(30) **Foreign Application Priority Data**

Aug. 31, 2012 (JP) 2012-021045

(51) **LOC (9) Cl.** **18-02**

(52) **U.S. Cl.**
USPC **D18/56**

(58) **Field of Classification Search**
USPC D18/40, 43, 56; 347/86-87
See application file for complete search history.

(56) **References Cited**

U.S. PATENT DOCUMENTS

D401,621 S * 11/1998 Shimizu et al. D18/56

D438,896 S * 3/2001 Shinada et al. D18/56
D650,420 S * 12/2011 Butler et al. D18/56
D659,419 S * 5/2012 Huang D6/366

* cited by examiner

Primary Examiner — Cathy A MacCormac

(57) **CLAIM**

The ornamental design for an ink cartridge, as shown and described.

DESCRIPTION

FIG. 1 is a front, top and left side perspective view of a first embodiment of an ink cartridge showing our new design; FIG. 2 is a rear, bottom and right side perspective view thereof;

FIG. 3 is a front view thereof;

FIG. 4 is a rear view thereof;

FIG. 5 is a top plan view thereof;

FIG. 6 is a bottom plan view thereof;

FIG. 7 is a left side view thereof;

FIG. 8 is a right side view thereof; and,

FIG. 9 is a rear, bottom and right side perspective view of a second embodiment of an ink cartridge showing our new design.

The features shown in broken lines in the drawings depict environmental subject matter only and form no part of the claimed design. The dot-dashed lines define the boundaries of the claimed design and form no part thereof.

1 Claim, 9 Drawing Sheets

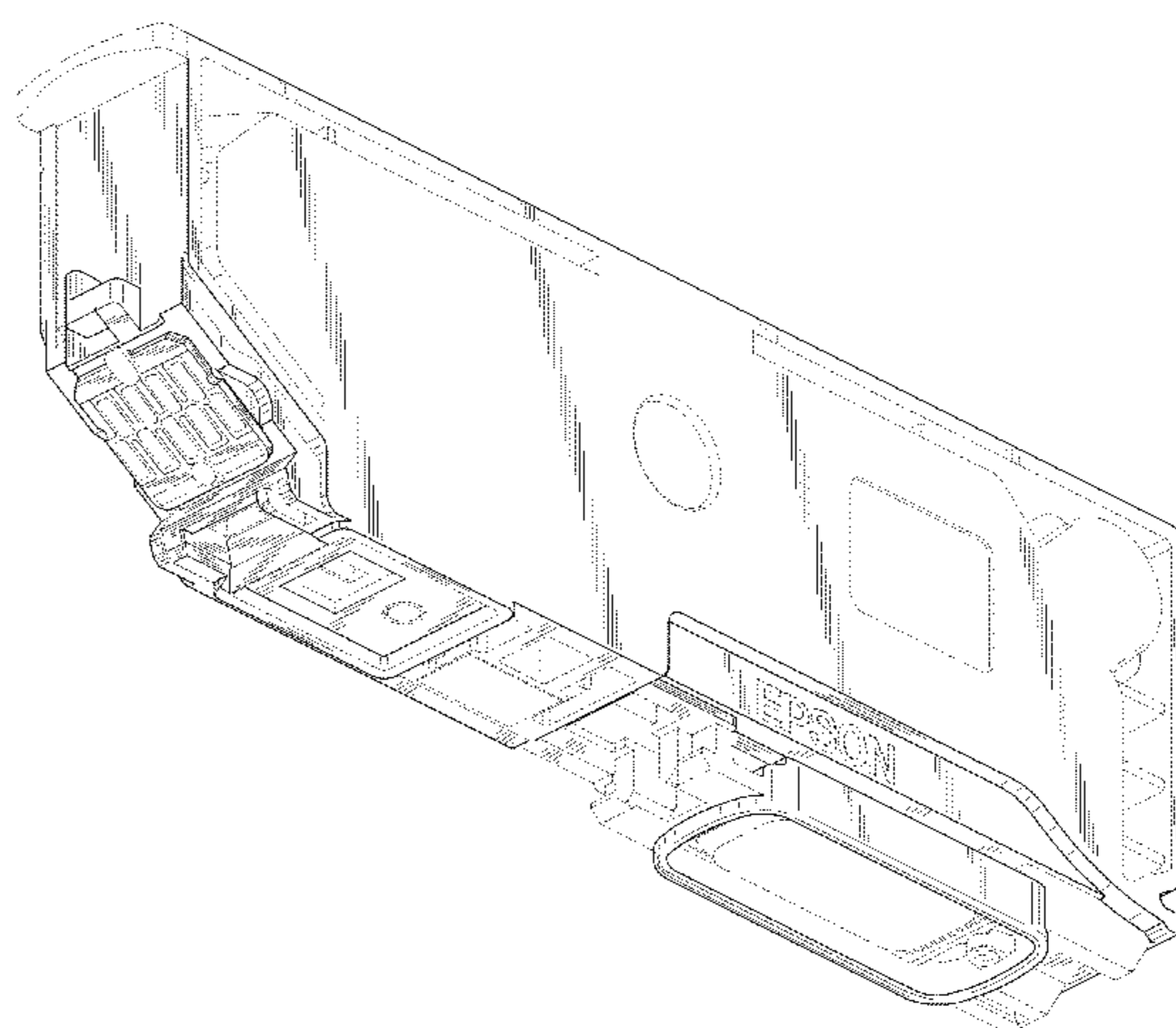
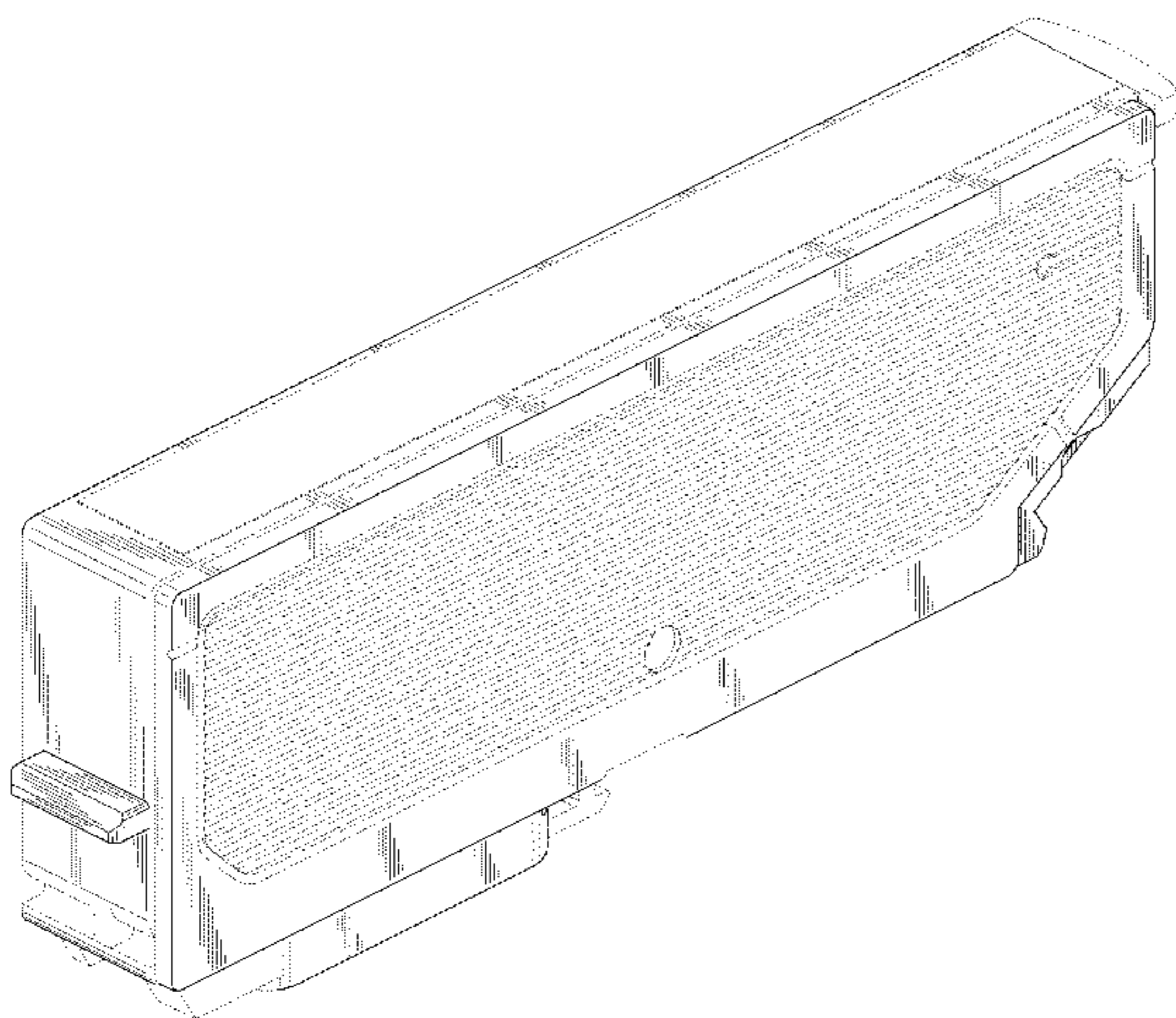


FIG. 1

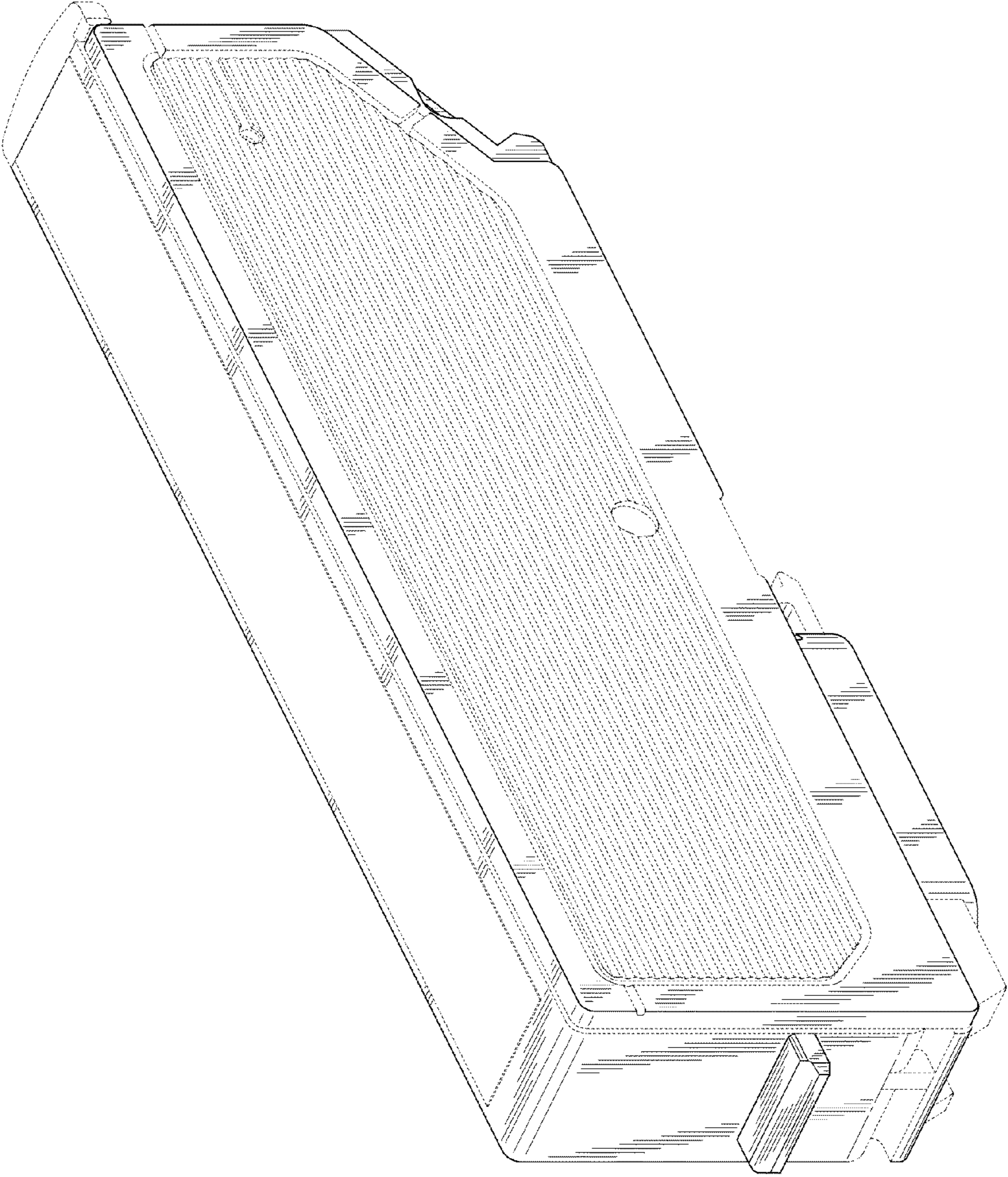


FIG. 2

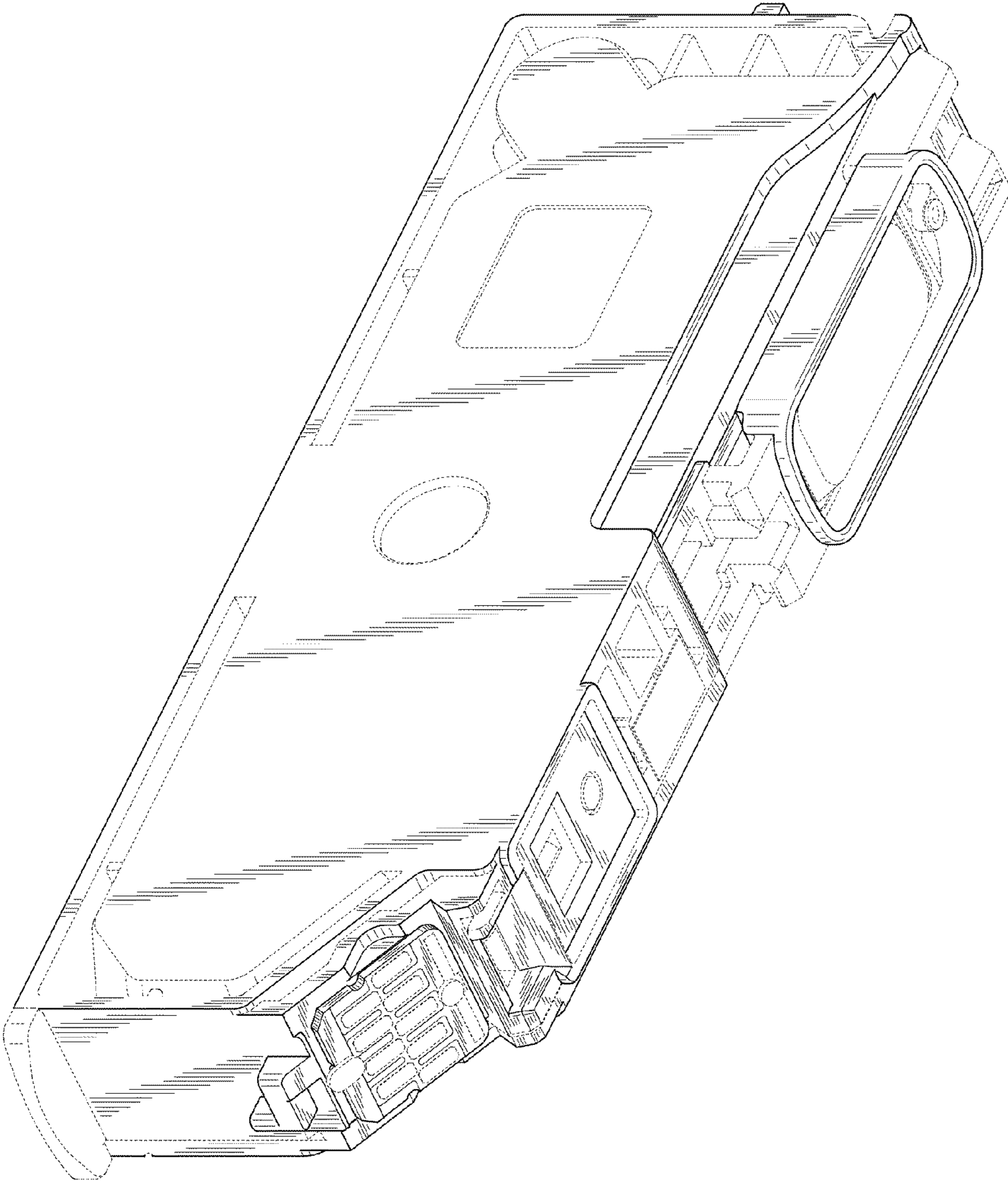


FIG. 3

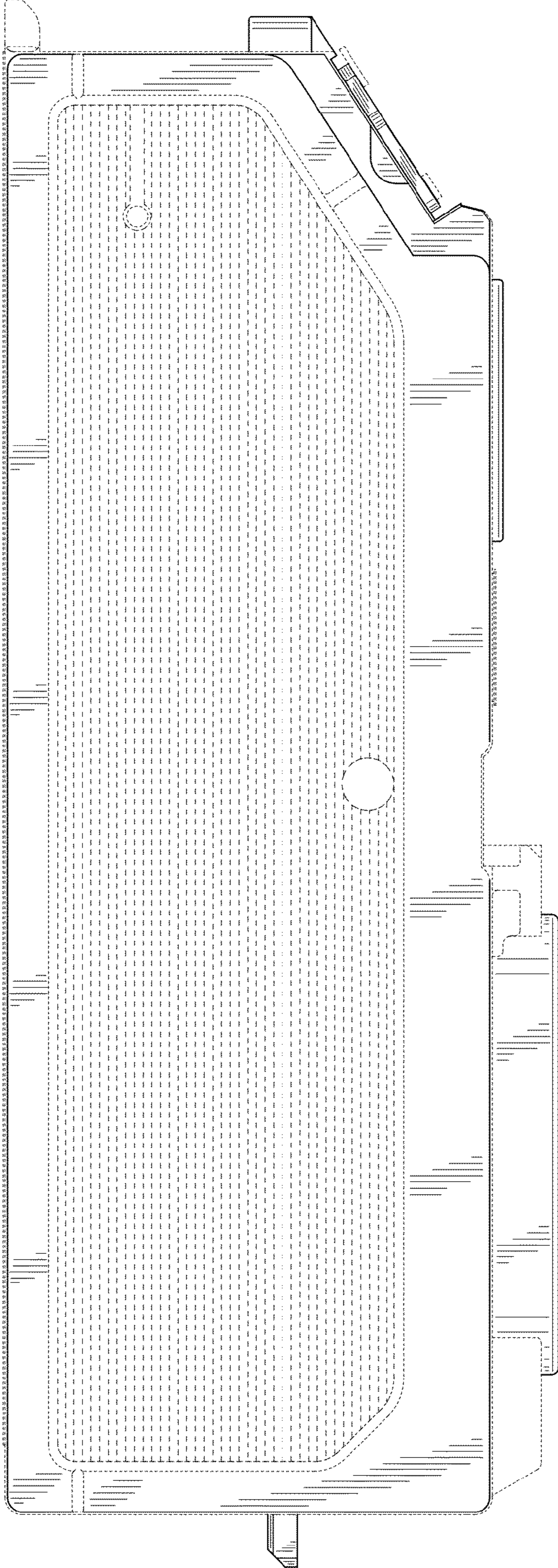


FIG. 4

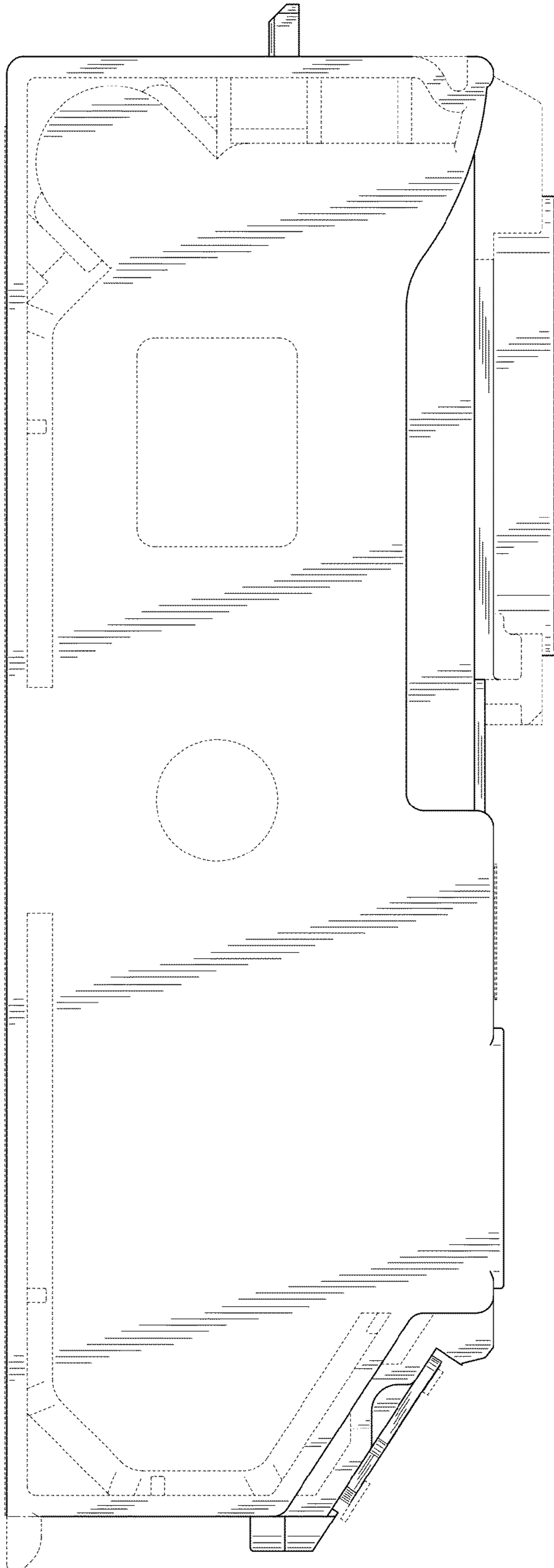


FIG. 5

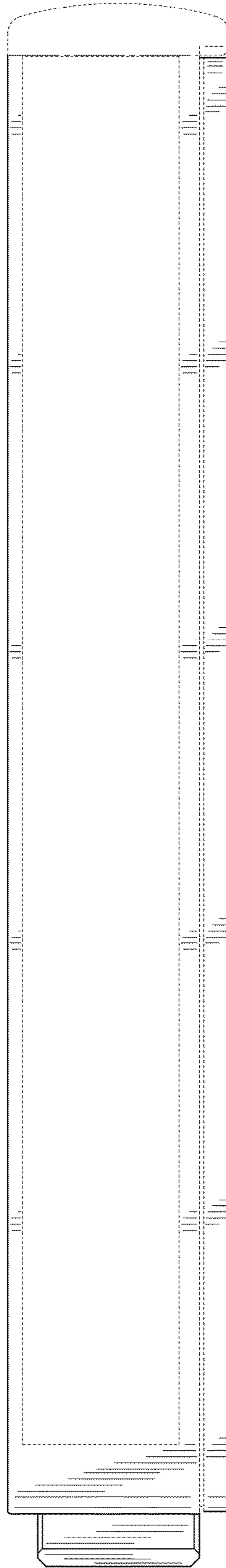


FIG. 6

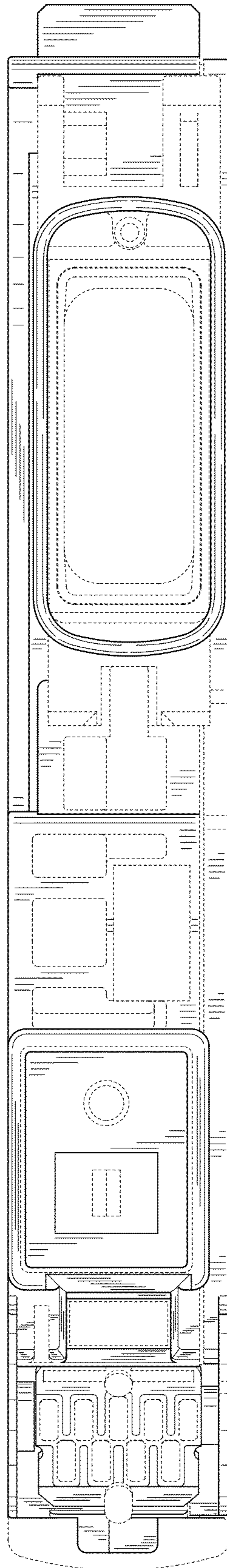


FIG. 7

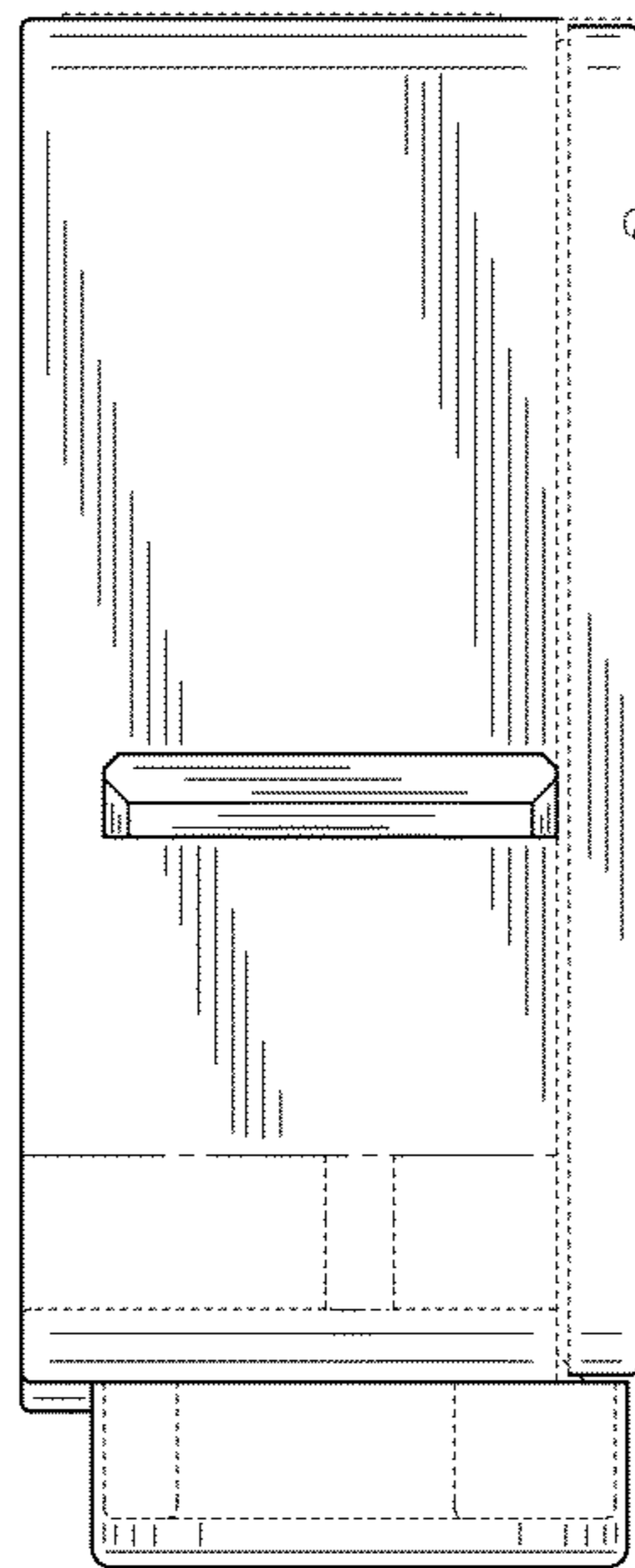


FIG. 8

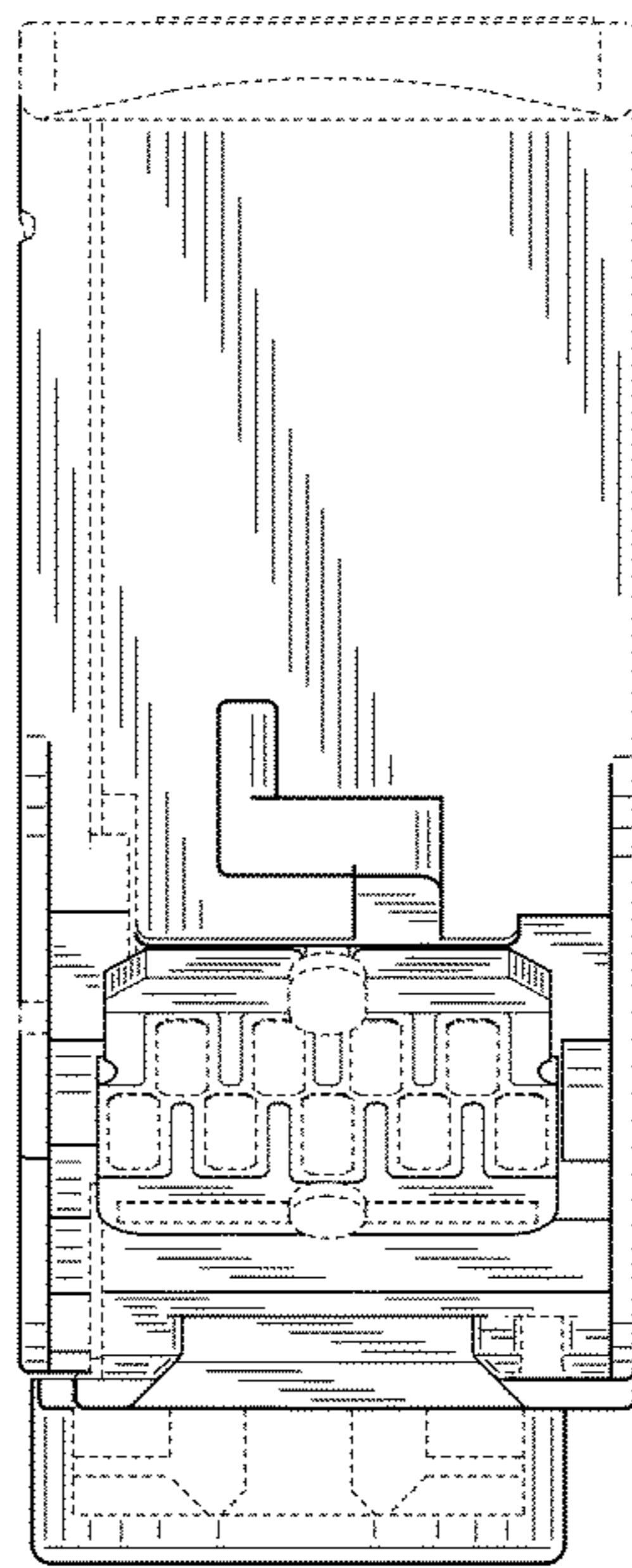


FIG. 9

