



US00D695821S

(12) **United States Design Patent**
Carter, II et al.

(10) **Patent No.:** **US D695,821 S**

(45) **Date of Patent:** **** *Dec. 17, 2013**

(54) **LASER PRINTER TONER CARTRIDGE**

(56) **References Cited**

(75) Inventors: **James Anthany Carter, II**, Lexington, KY (US); **Brian Lester Boettcher**, Versailles, KY (US); **Gregory Alan Cavill**, Winchester, KY (US); **Gary Neal Hackney**, Georgetown, KY (US); **Jonathan David Kelley**, Lexington, KY (US); **James Richard Leemhuis**, Lexington, KY (US); **Benjamin Keith Newman**, Lexington, KY (US); **Matthew Lee Rogers**, Lexington, KY (US); **Bryan Christopher Scharf**, Richmond, KY (US); **Keith Seaman**, Lexington, KY (US); **Bryan Joseph Wiemers**, Paris, KY (US); **Christopher Gene Vowels**, Boston, KY (US); **Katrina Rosit Lactuan**, Cebu (PH); **Leighton De Leon Venezuela**, Lapu-Lapu (PH)

U.S. PATENT DOCUMENTS

D313,615	S	*	1/1991	Tokuda	D18/36
D313,616	S	*	1/1991	Tokuda	D18/36
D313,813	S	*	1/1991	Tokuda	D18/36
D479,263	S	*	9/2003	Batori et al.	D18/40
D489,753	S	*	5/2004	Batori et al.	D18/40
6,963,706	B2	*	11/2005	Morioka et al.	399/111
7,062,199	B1	*	6/2006	Higeta et al.	399/109

(Continued)

FOREIGN PATENT DOCUMENTS

EP	002102327-0001	9/2012
EP	002102327-0002	9/2012

OTHER PUBLICATIONS

Design U.S. Appl. No. 29/409,933, filed Dec. 30, 2011.
Design U.S. Appl. No. 29/434,656, filed Oct. 16, 2012.
Design U.S. Appl. No. 29/434,657, filed Oct. 16, 2012.

Primary Examiner — Garth Rademaker

(74) *Attorney, Agent, or Firm* — Justin M Tromp

(73) Assignee: **Lexmark International, Inc.**, Lexington, KY (US)

(*) Notice: This patent is subject to a terminal disclaimer.

(**) Term: **14 Years**

(21) Appl. No.: **29/409,934**

(22) Filed: **Dec. 30, 2011**

(51) **LOC (9) Cl.** **16-03**

(52) **U.S. Cl.**
USPC **D18/43**

(58) **Field of Classification Search**
USPC D14/471; D18/12, 36, 40, 43, 44, 56;
222/DIG. 1; 347/197, 222; 399/24–28,
399/107–112, 119, 121, 122, 222–224
See application file for complete search history.

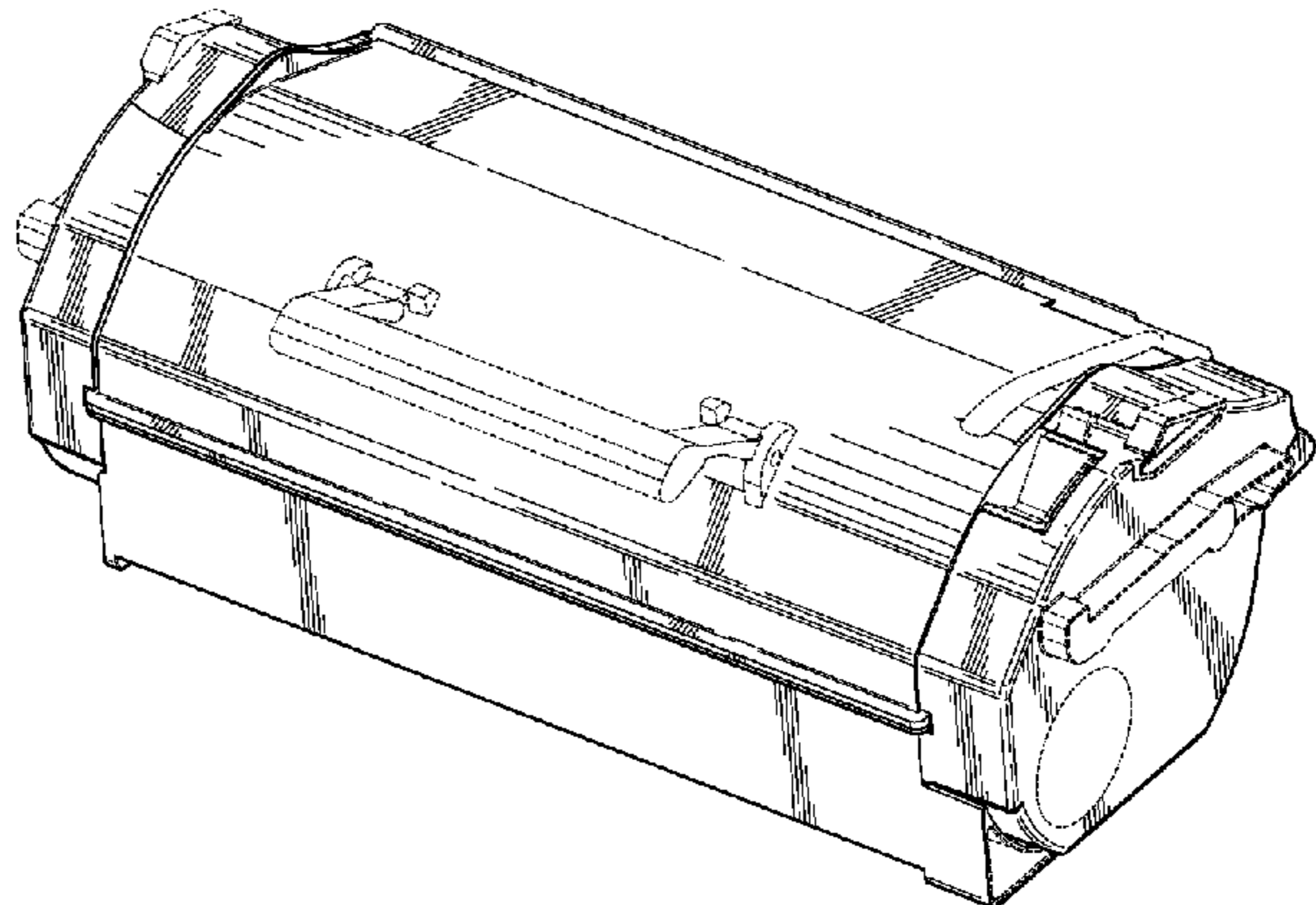
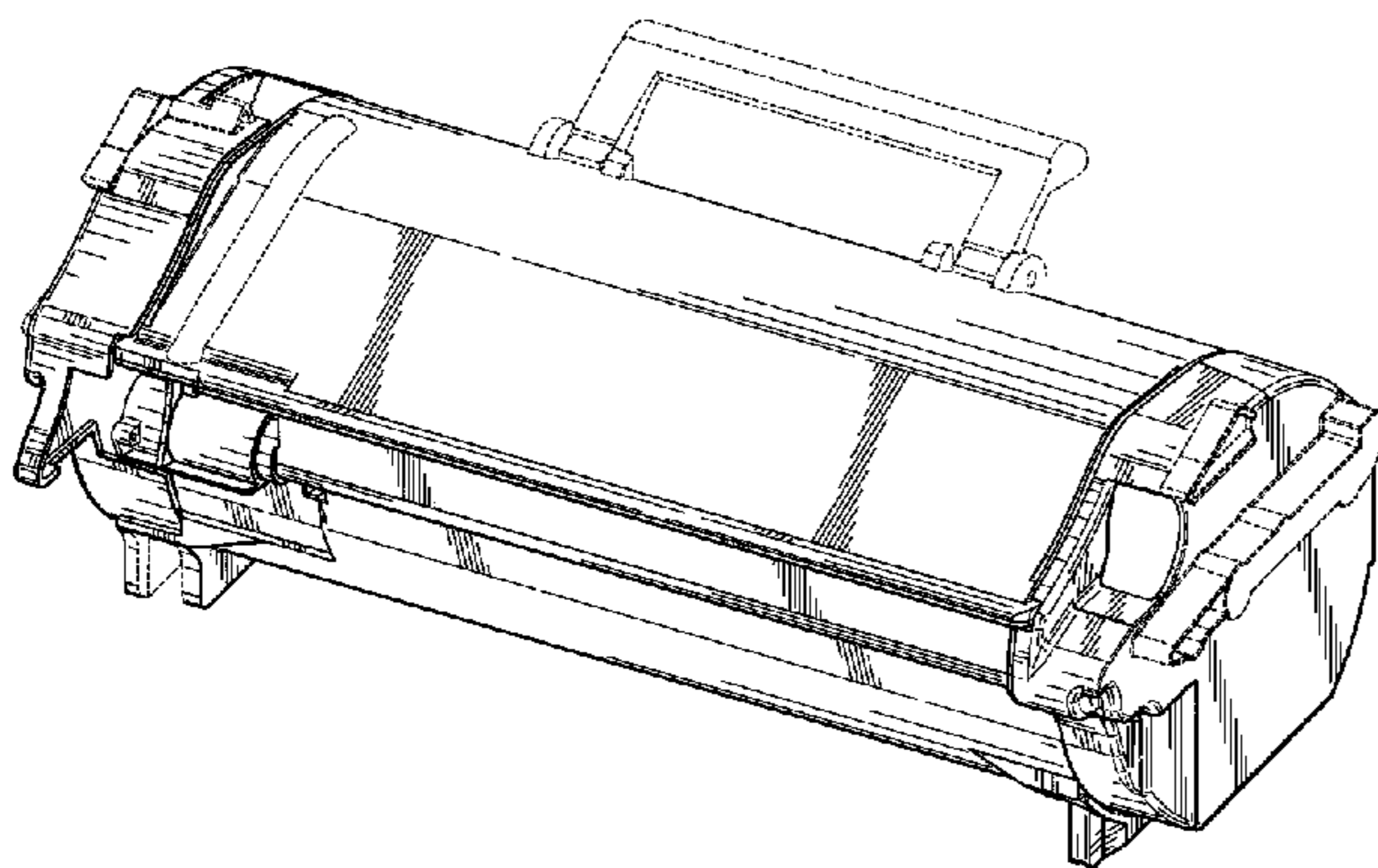
(57) **CLAIM**

The ornamental design for a laser printer toner cartridge, as shown and described.

DESCRIPTION

FIG. 1 is a left side perspective view of a laser printer toner cartridge showing our new design;
FIG. 2 is a right side perspective view thereof;
FIG. 3 is a right side elevation view thereof;
FIG. 4 is a left side elevation view thereof;
FIG. 5 is a front elevation view thereof;
FIG. 6 is a rear elevation view thereof;
FIG. 7 is a top plan view thereof; and,
FIG. 8 is a bottom plan view thereof.
The features shown in broken lines depict environmental subject matter only and form no part of the claimed design.

1 Claim, 7 Drawing Sheets



US D695,821 S

Page 2

(56)

References Cited

U.S. PATENT DOCUMENTS

7,912,403 B2 *	3/2011	Kim et al.	399/110
D647,956 S *	11/2011	Kweon et al.	D18/43
D662,129 S *	6/2012	Zeng et al.	D18/43
D546,382 S *	7/2007	Noh et al.	D18/43

* cited by examiner

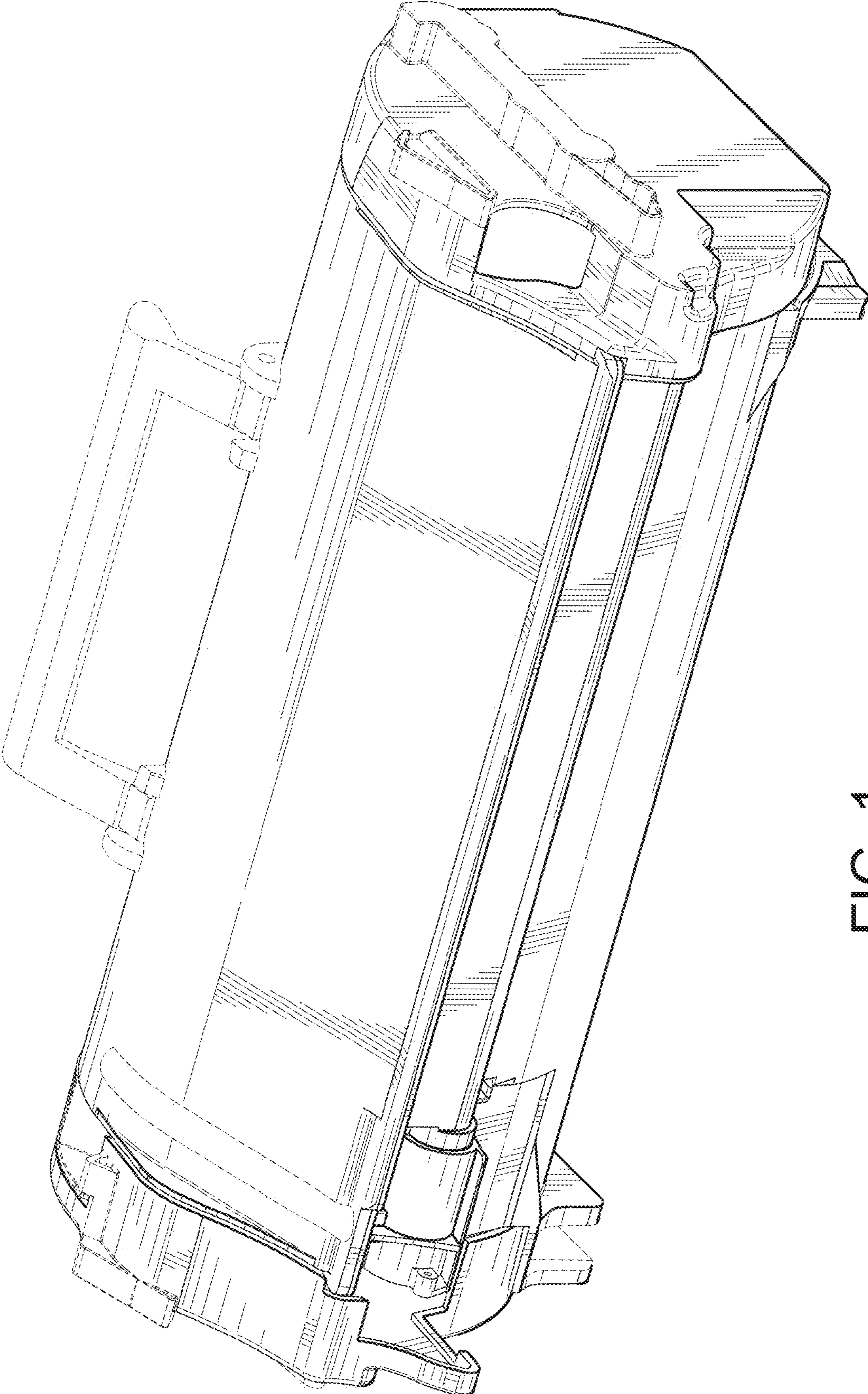


FIG. 1

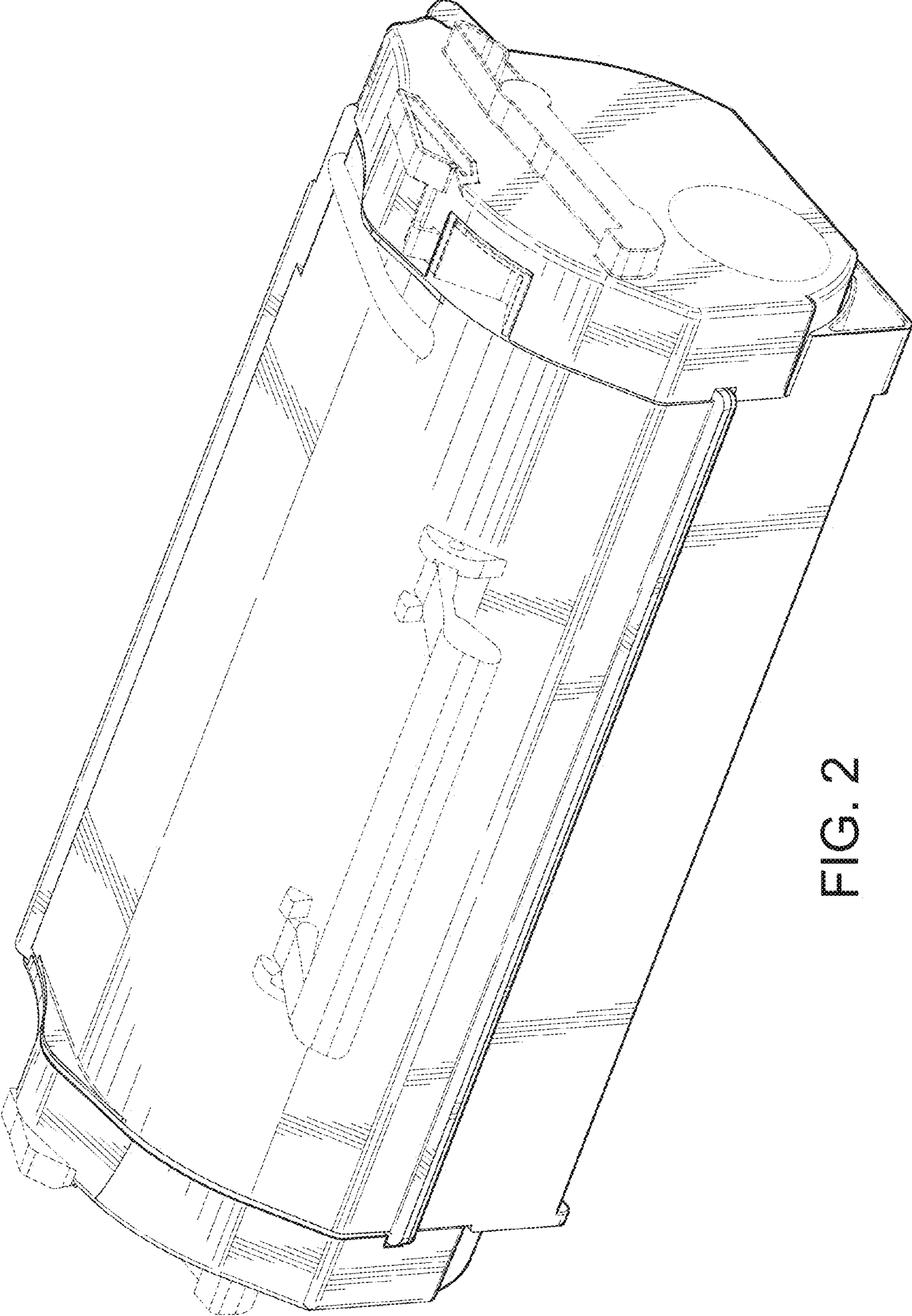


FIG. 2

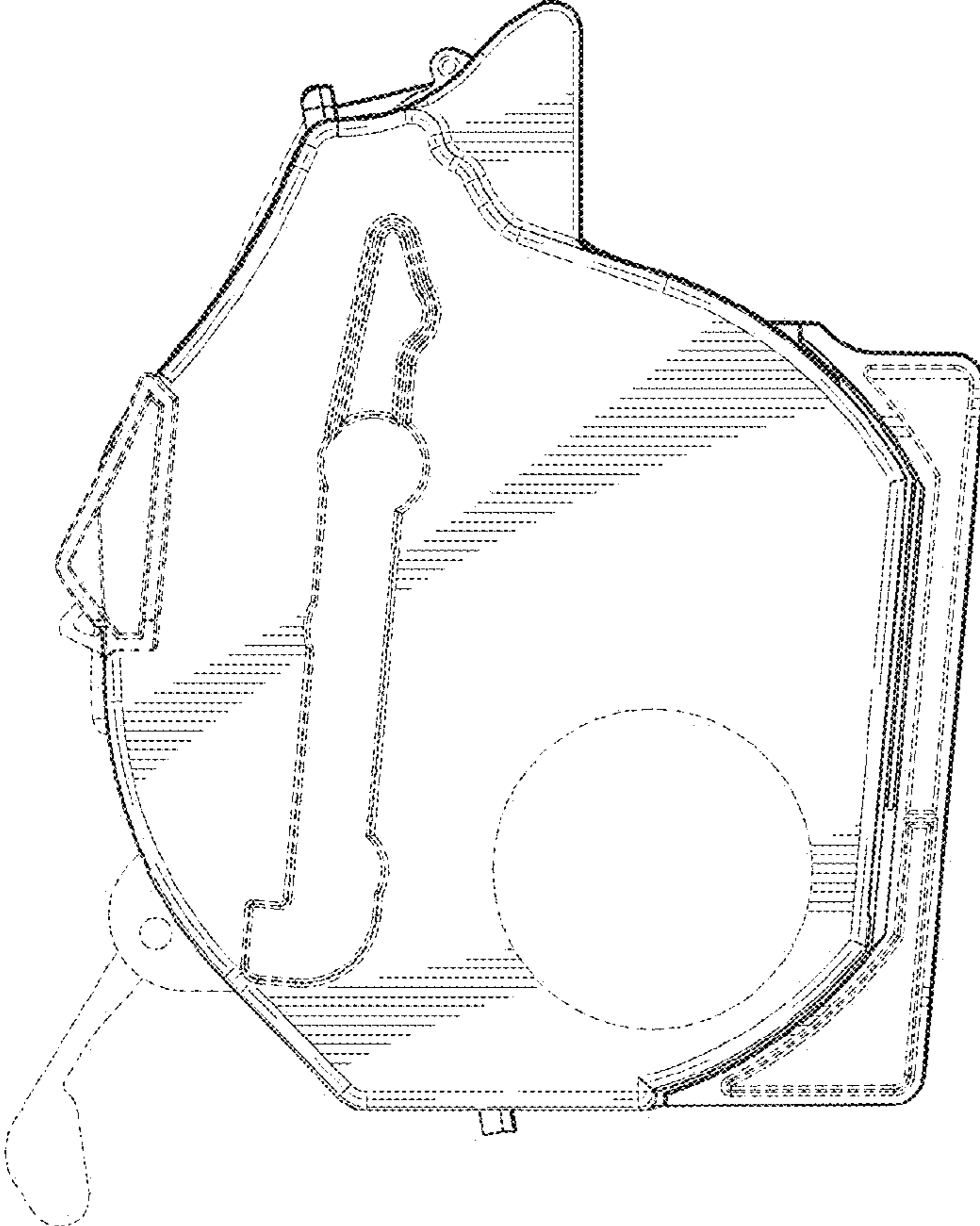


FIG. 3

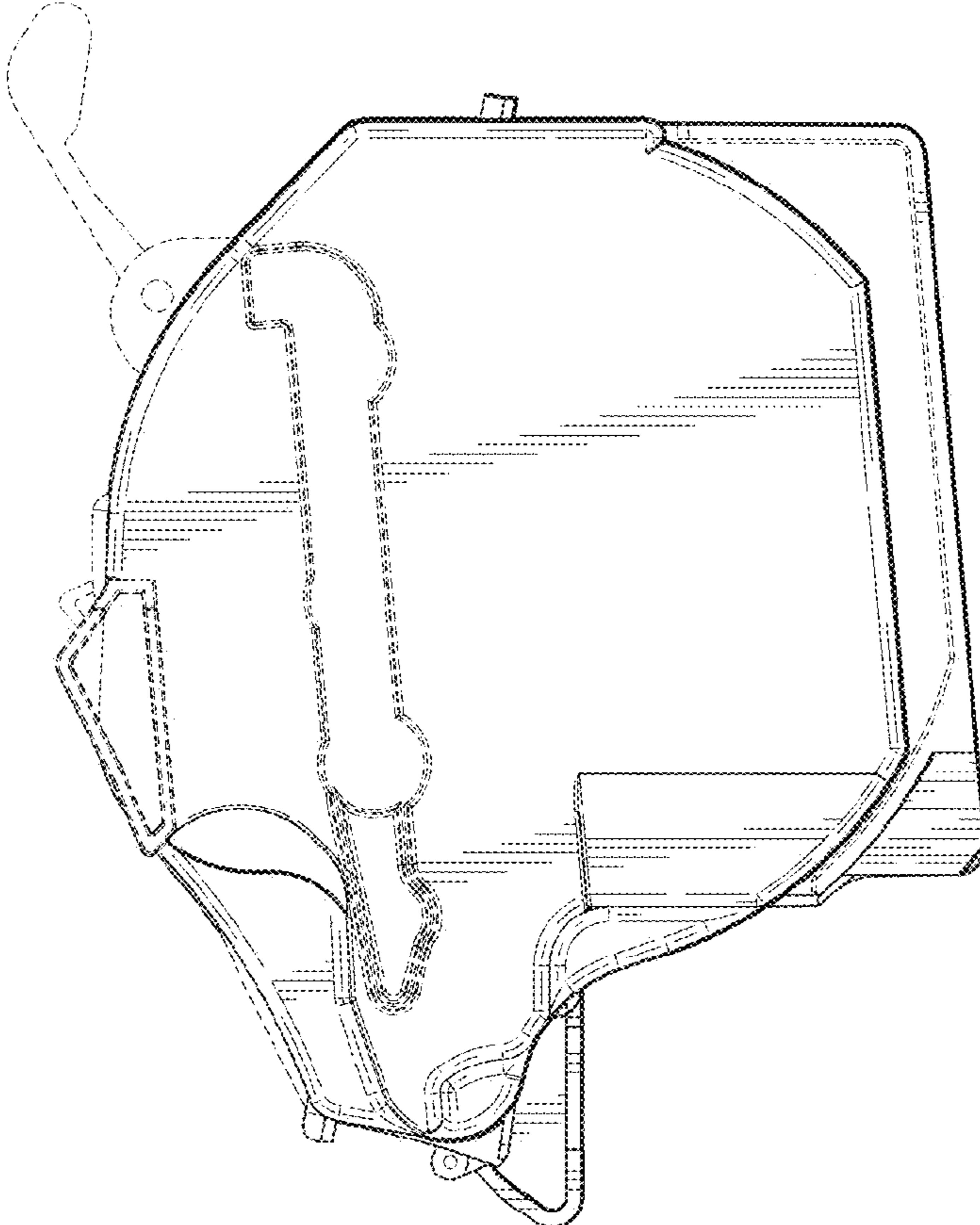


FIG. 4

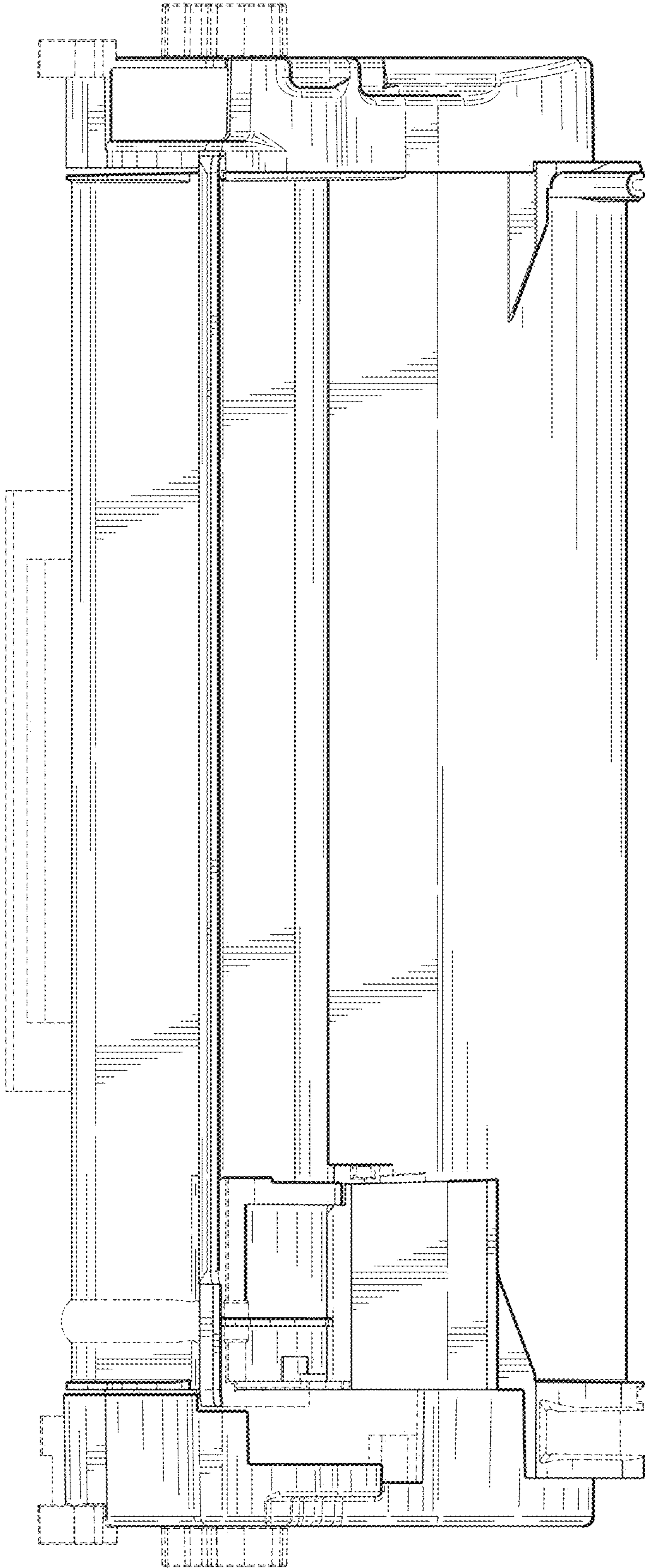


FIG. 5

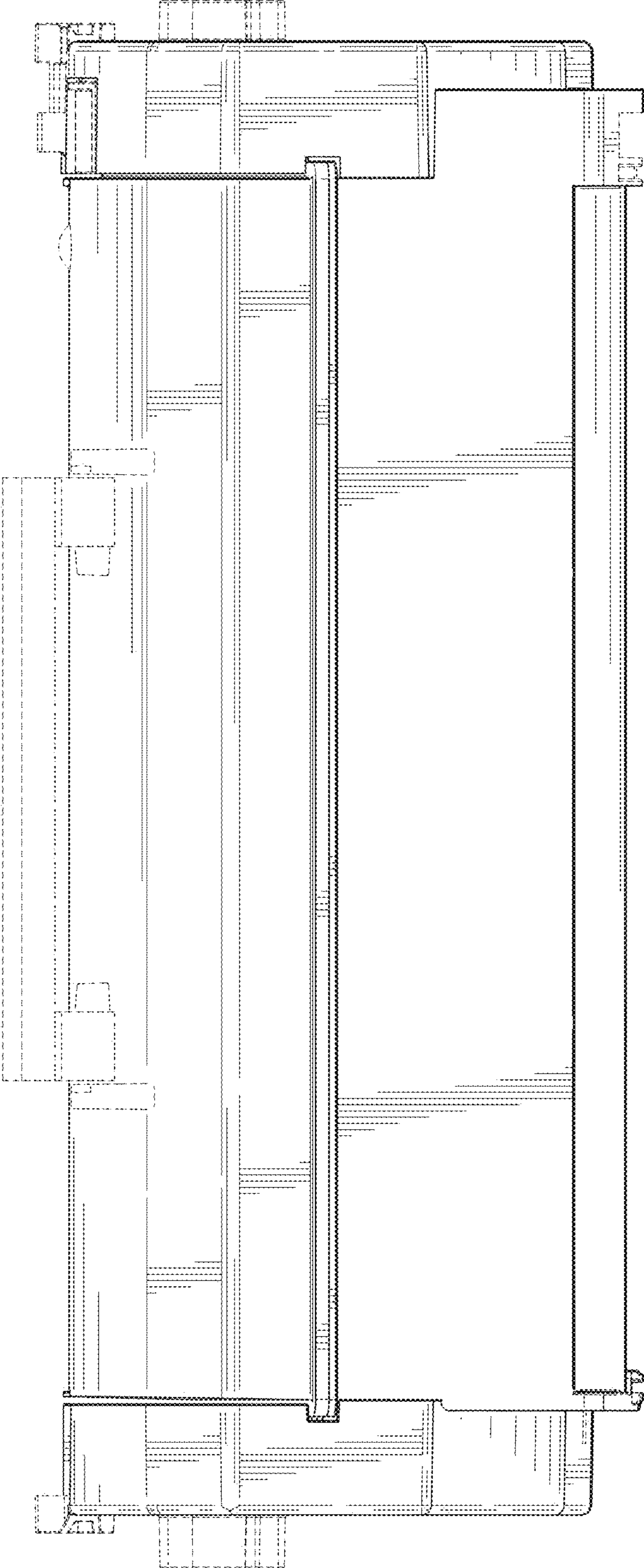


FIG. 6

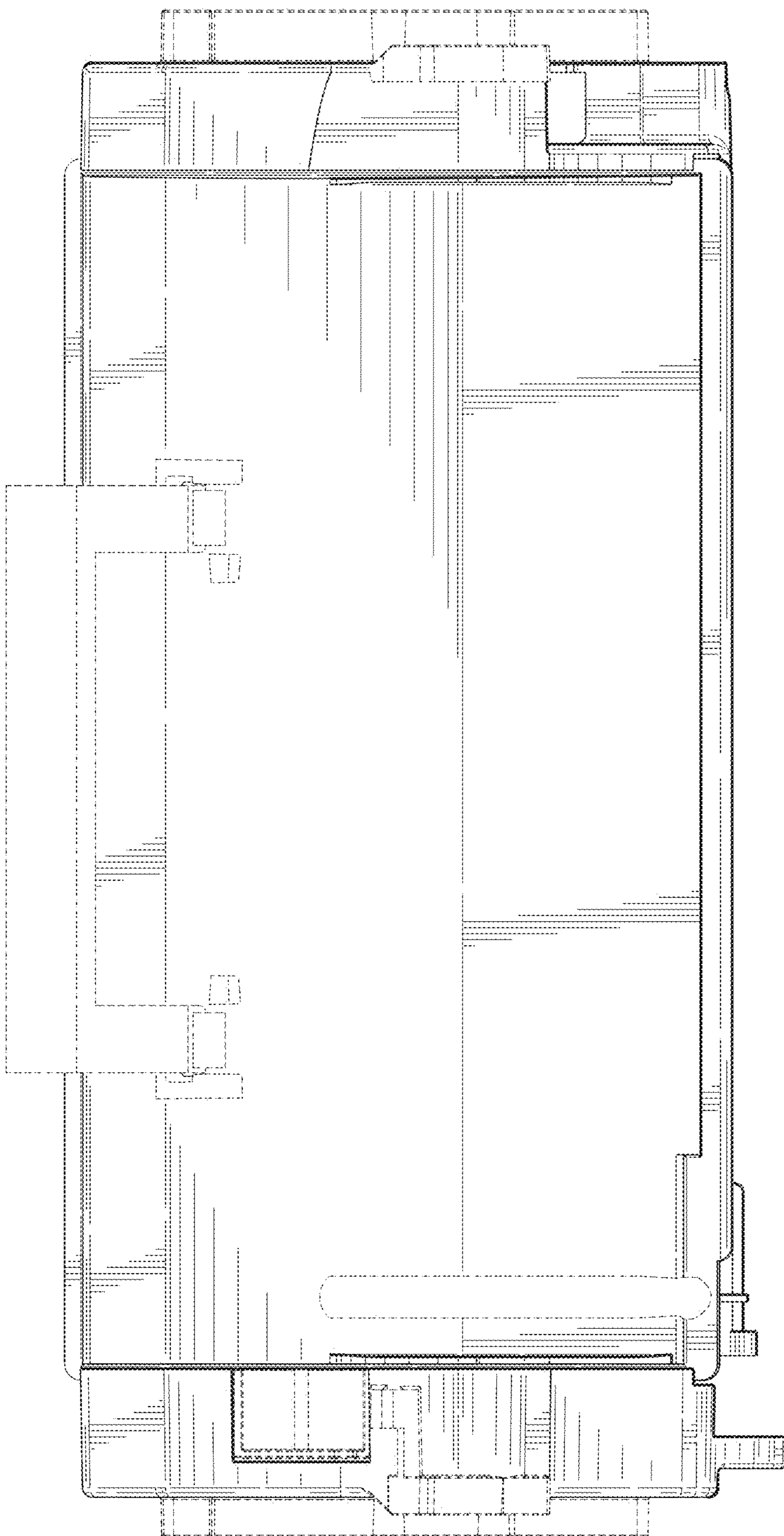


FIG. 7

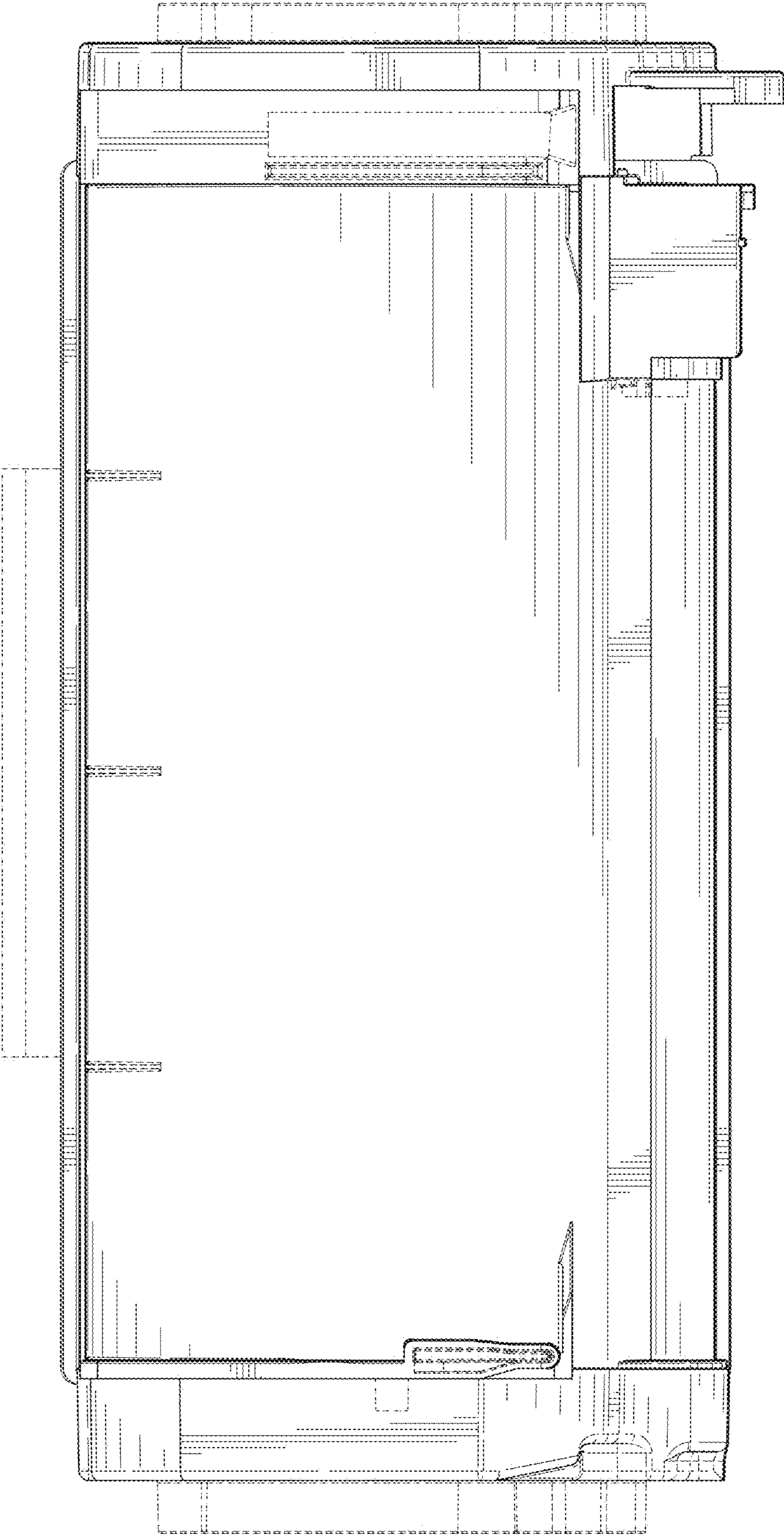


FIG. 8