



US00D695819S

(12) **United States Design Patent**  
**Finney et al.**

(10) **Patent No.:** **US D695,819 S**

(45) **Date of Patent:** **\*\* Dec. 17, 2013**

(54) **RIBBON SUPPLY PACKAGING TRAY**

(75) Inventors: **Mark Finney**, Wayzata, MN (US); **Steve Dow**, Edina, MN (US); **Eric Peterson**, Minnetonka, MN (US)

(73) Assignee: **DataCard Corporation**, Minnetonka, MN (US)

(\*\*) Term: **14 Years**

(21) Appl. No.: **29/427,938**

(22) Filed: **Jul. 24, 2012**

(51) **LOC (9) Cl.** ..... **18-01**

(52) **U.S. Cl.**  
USPC ..... **D18/12**

(58) **Field of Classification Search**

USPC ..... D6/407; D14/471; D18/12, 36, 40, 43,  
D18/44, 56; 222/DIG. 1; 347/197, 222;  
399/24-28, 107-112, 119, 121, 122,  
399/222-224

See application file for complete search history.

(56) **References Cited**

**U.S. PATENT DOCUMENTS**

D234,294 S *	2/1975	Gorman	.....	D9/415
D247,222 S *	2/1978	Paone et al.	.....	D9/415
4,191,482 A *	3/1980	Ploeger	.....	400/207
D266,742 S *	11/1982	Claxton	.....	D18/12
D277,999 S *	3/1985	Weiner	.....	D18/12
D285,503 S *	9/1986	Weiner	.....	D18/12
D422,627 S *	4/2000	Drinkwater et al.	.....	D18/43
D432,916 S *	10/2000	Drinkwater et al.	.....	D18/43
D433,266 S *	11/2000	Peterson et al.	.....	D6/634

D556,567 S *	12/2007	Templeton	.....	D9/425
D572,828 S *	7/2008	Sakulsacha et al.	.....	D24/197
D573,416 S *	7/2008	Moses	.....	D6/634
D588,870 S *	3/2009	Rasmussen	.....	D7/398

**OTHER PUBLICATIONS**

U.S. Appl. No. 61/675,015, filed Jul. 24, 2012 (56 pages).

\* cited by examiner

*Primary Examiner* — Garth Rademaker

(74) *Attorney, Agent, or Firm* — Hamre, Schumann, Mueller & Larson, P.C.

(57) **CLAIM**

The ornamental design for a ribbon supply packaging tray, as shown and described.

**DESCRIPTION**

FIG. 1 is a bottom perspective view of a ribbon supply packaging tray according our new design connected to a cover to illustrate the environment of use;

FIG. 2 is a bottom perspective view of the ribbon supply packaging tray;

FIG. 3 is a top perspective view of the ribbon supply packaging tray;

FIG. 4 is a front side elevational view thereof;

FIG. 5 is a rear side elevational view thereof;

FIG. 6 is a right end elevational view thereof;

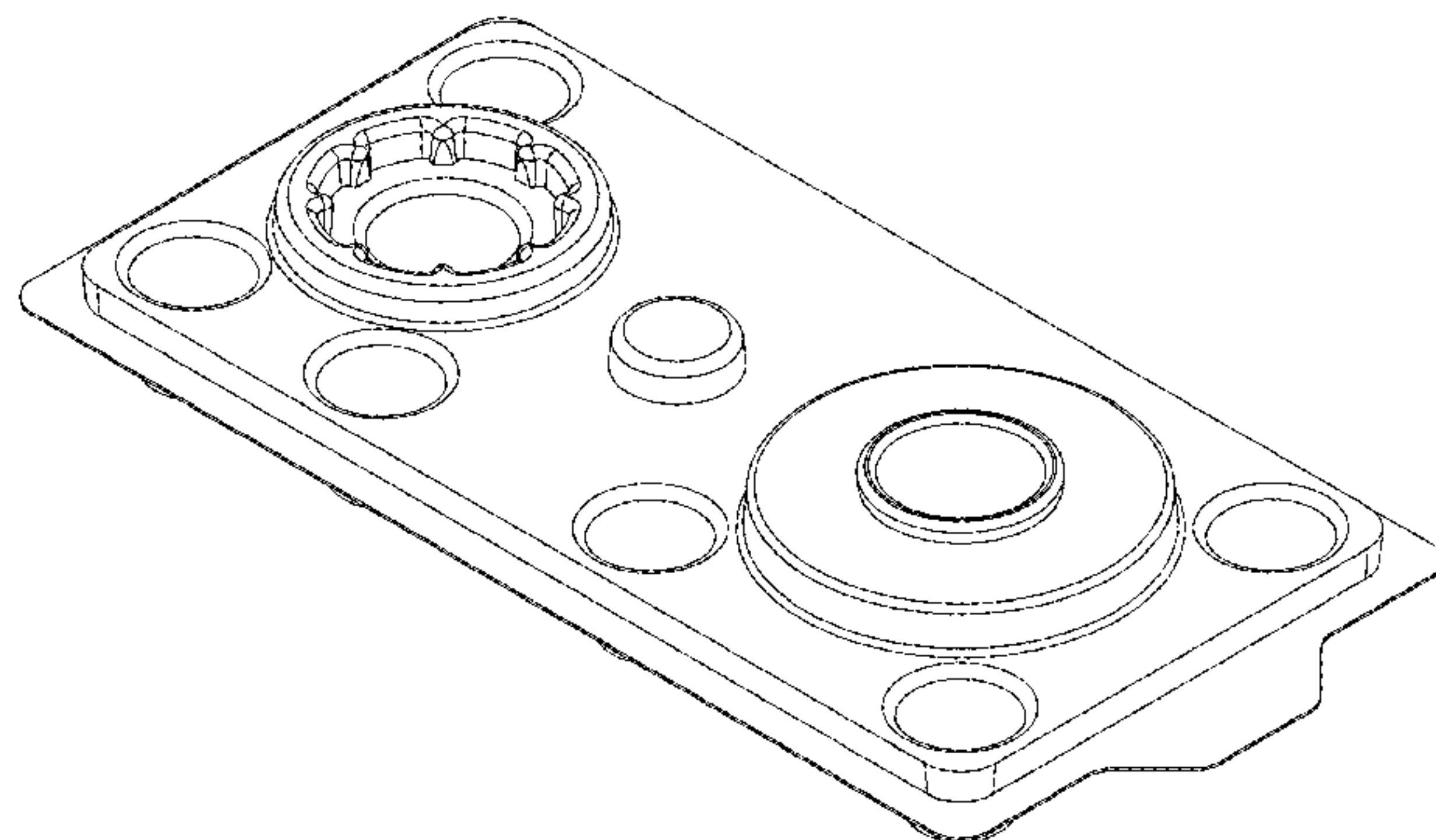
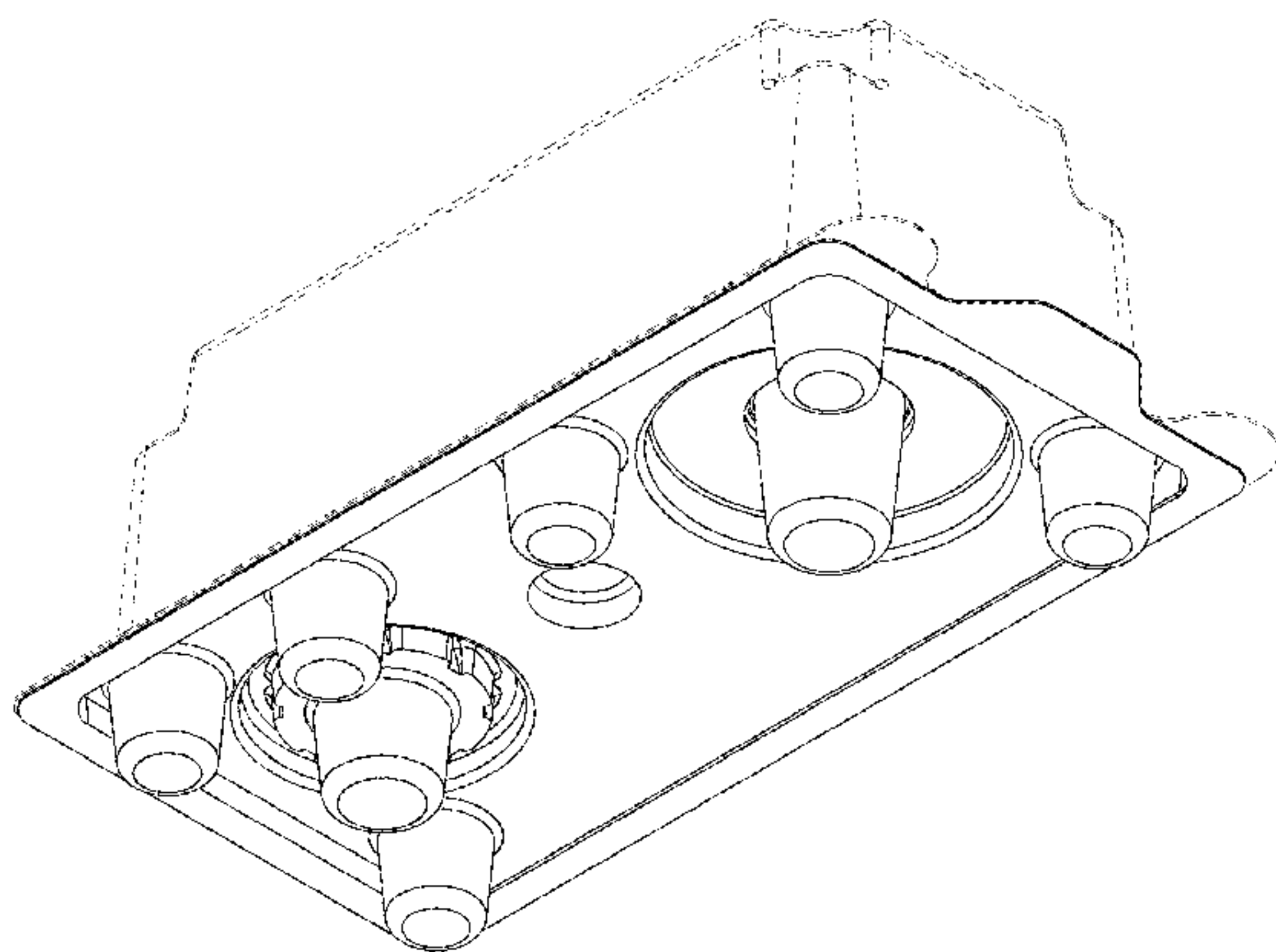
FIG. 7 is a left end elevational view thereof;

FIG. 8 is a top plan view thereof; and,

FIG. 9 is a bottom plan view thereof.

The broken lines in the drawings are for illustrative purposes only and form no part of the claimed design.

**1 Claim, 7 Drawing Sheets**



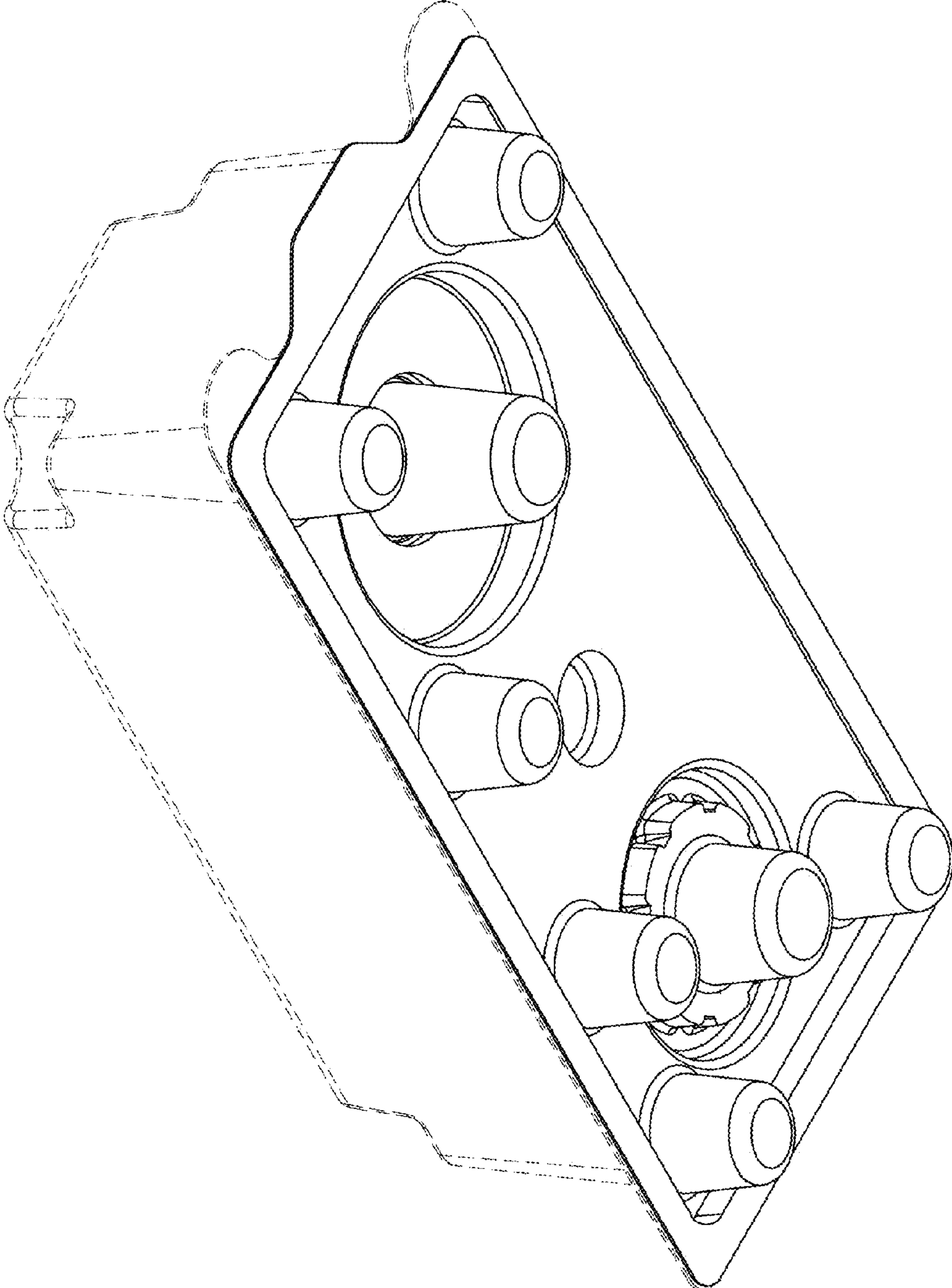


FIG. 1

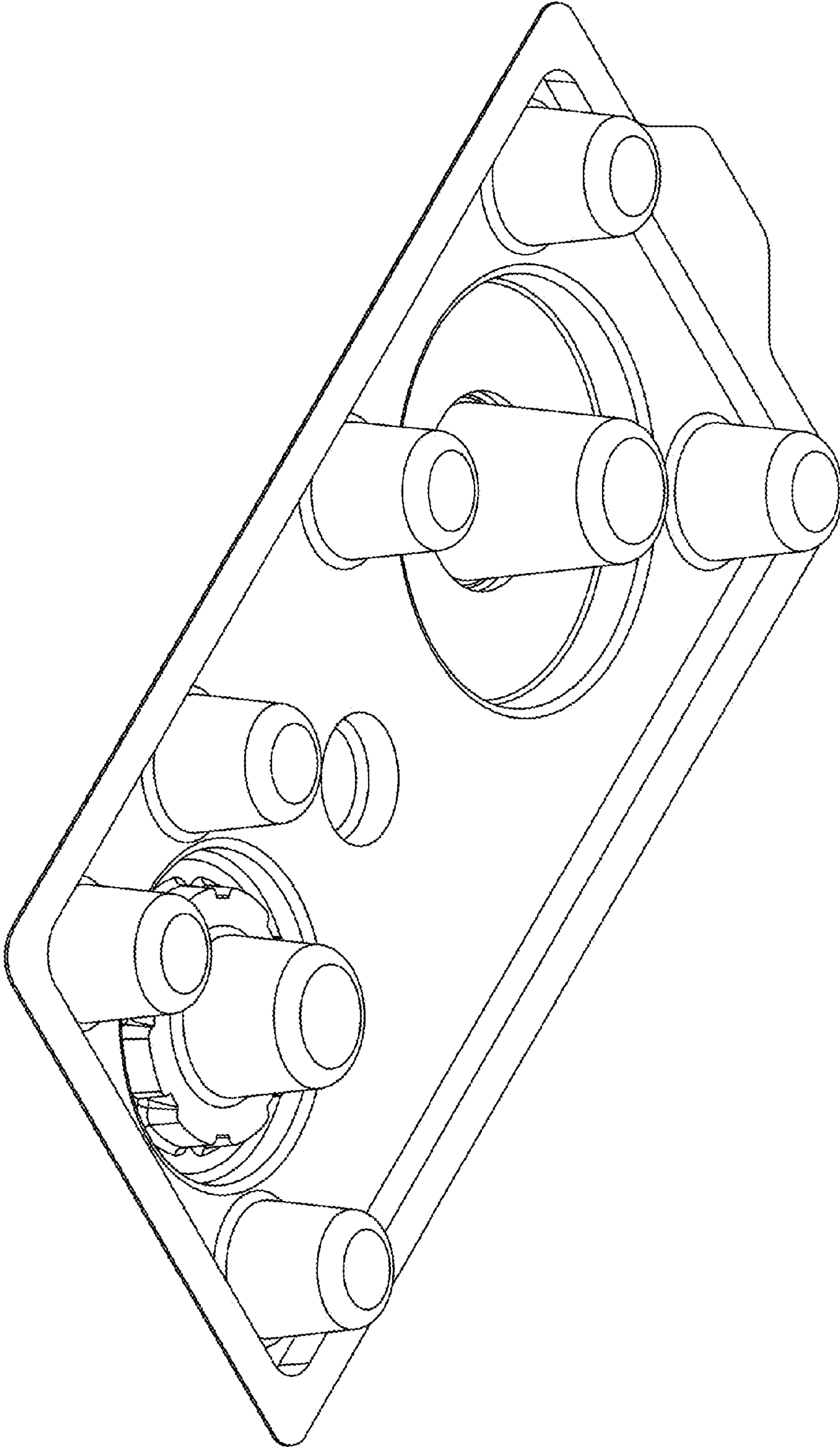


FIG. 2



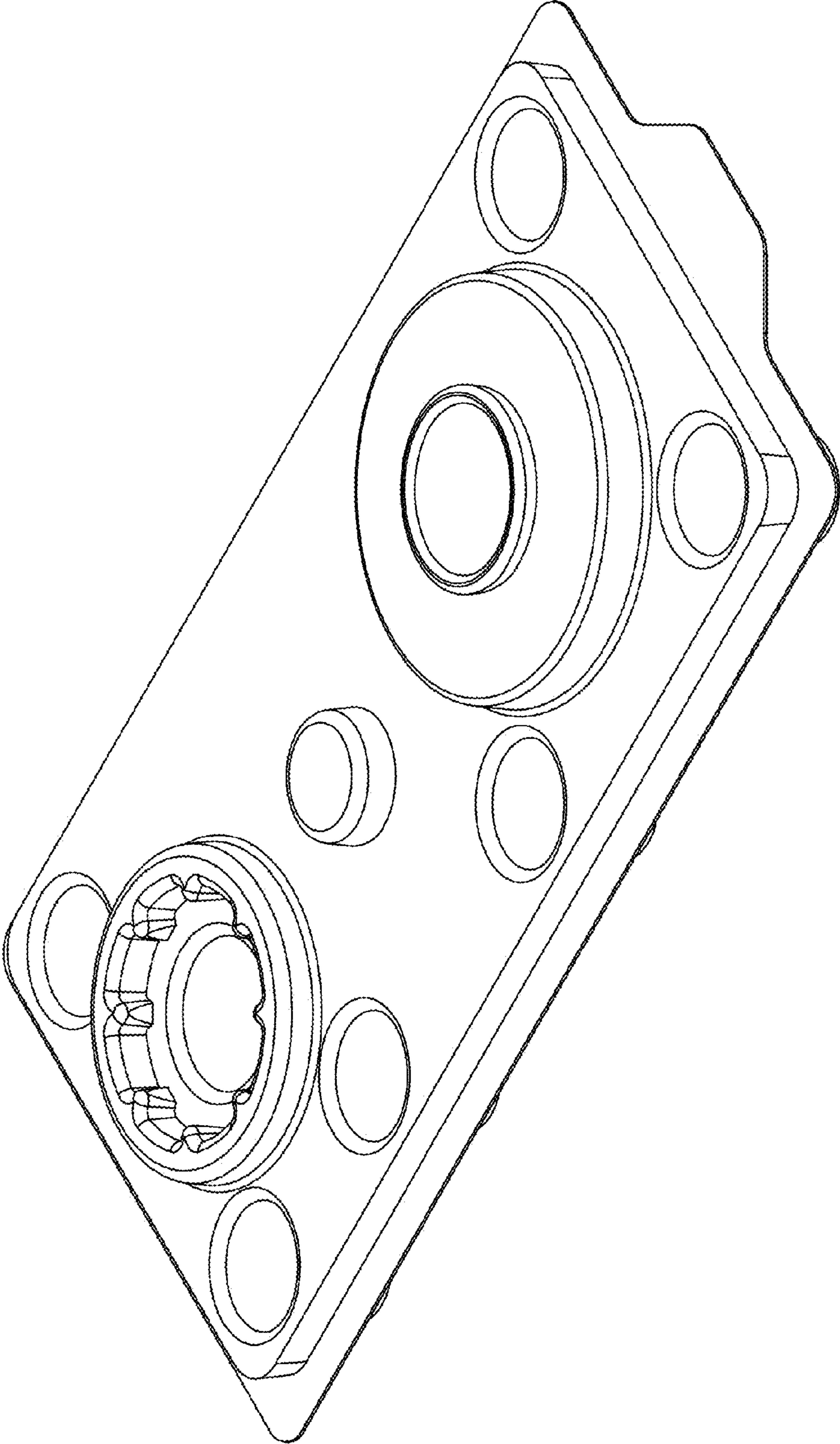


FIG. 3

FIG. 4

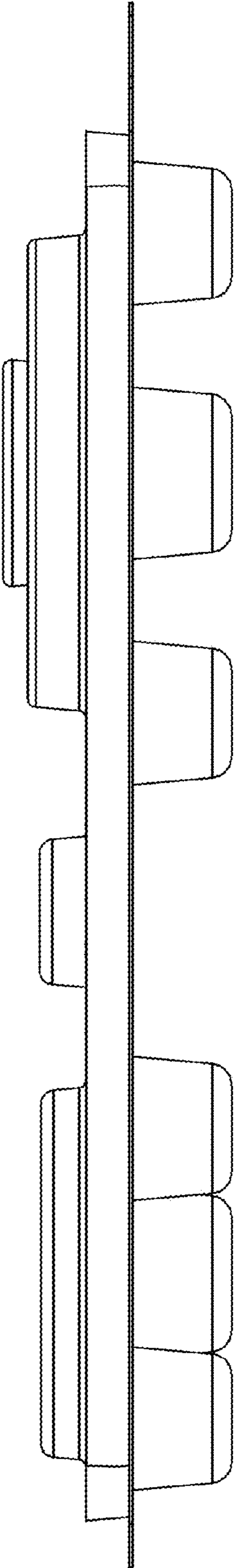


FIG. 5

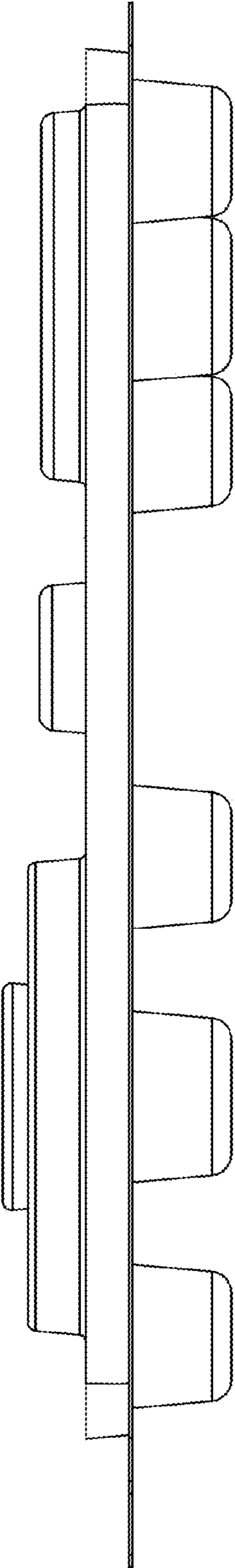


FIG. 6

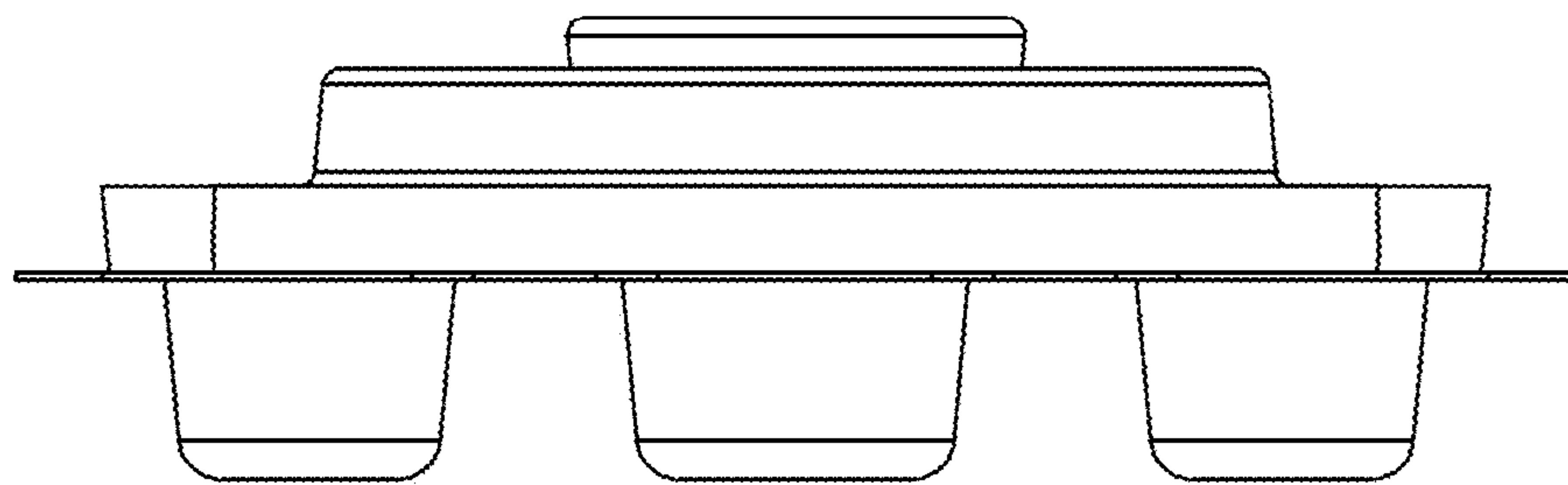
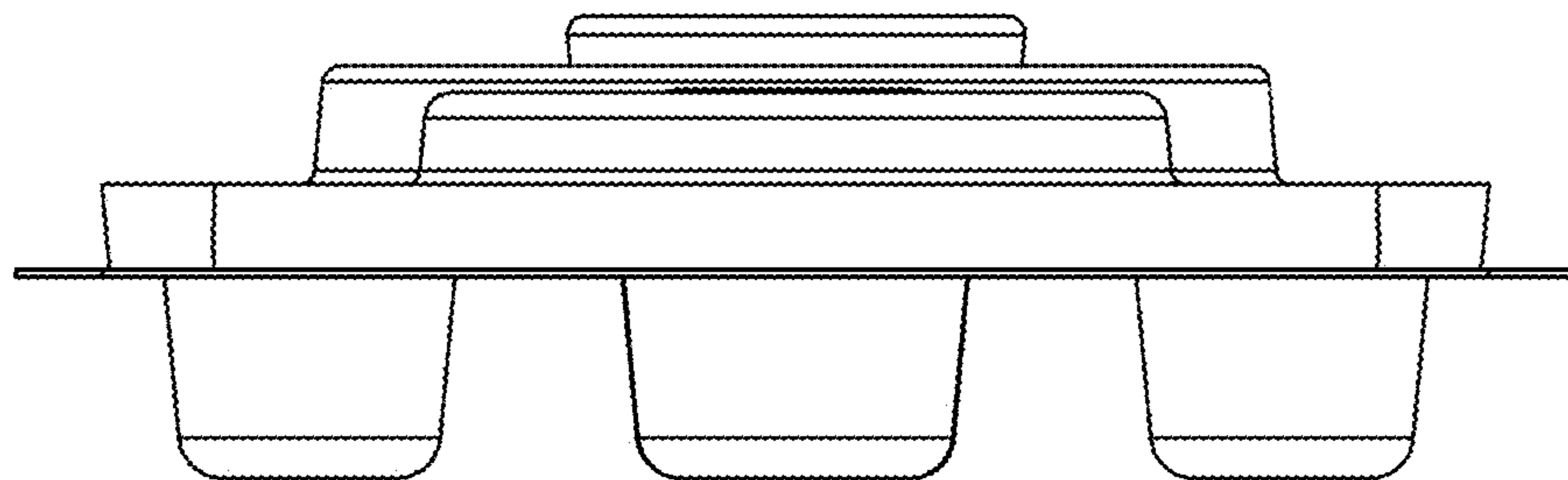


FIG. 7



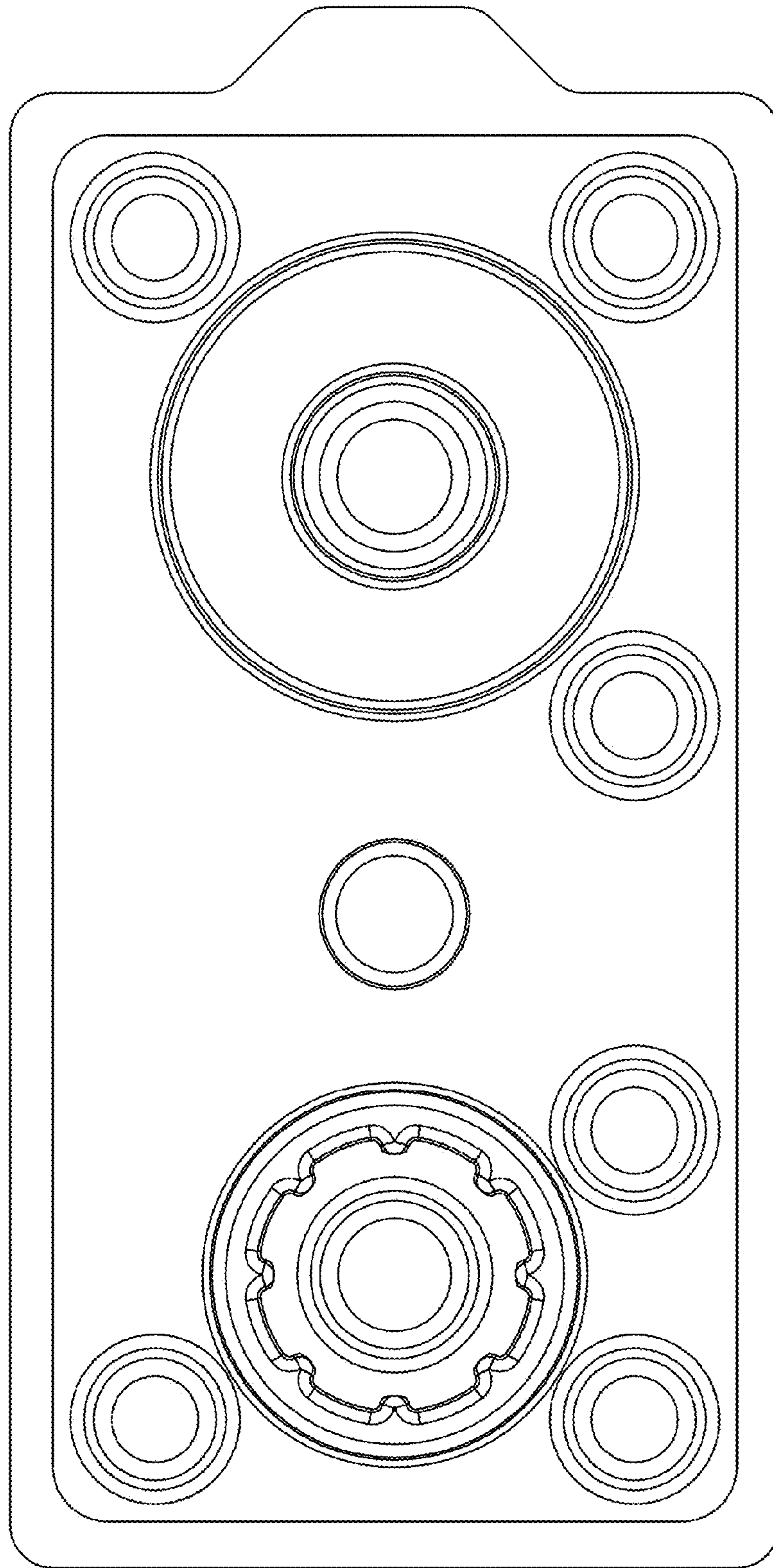


FIG. 8



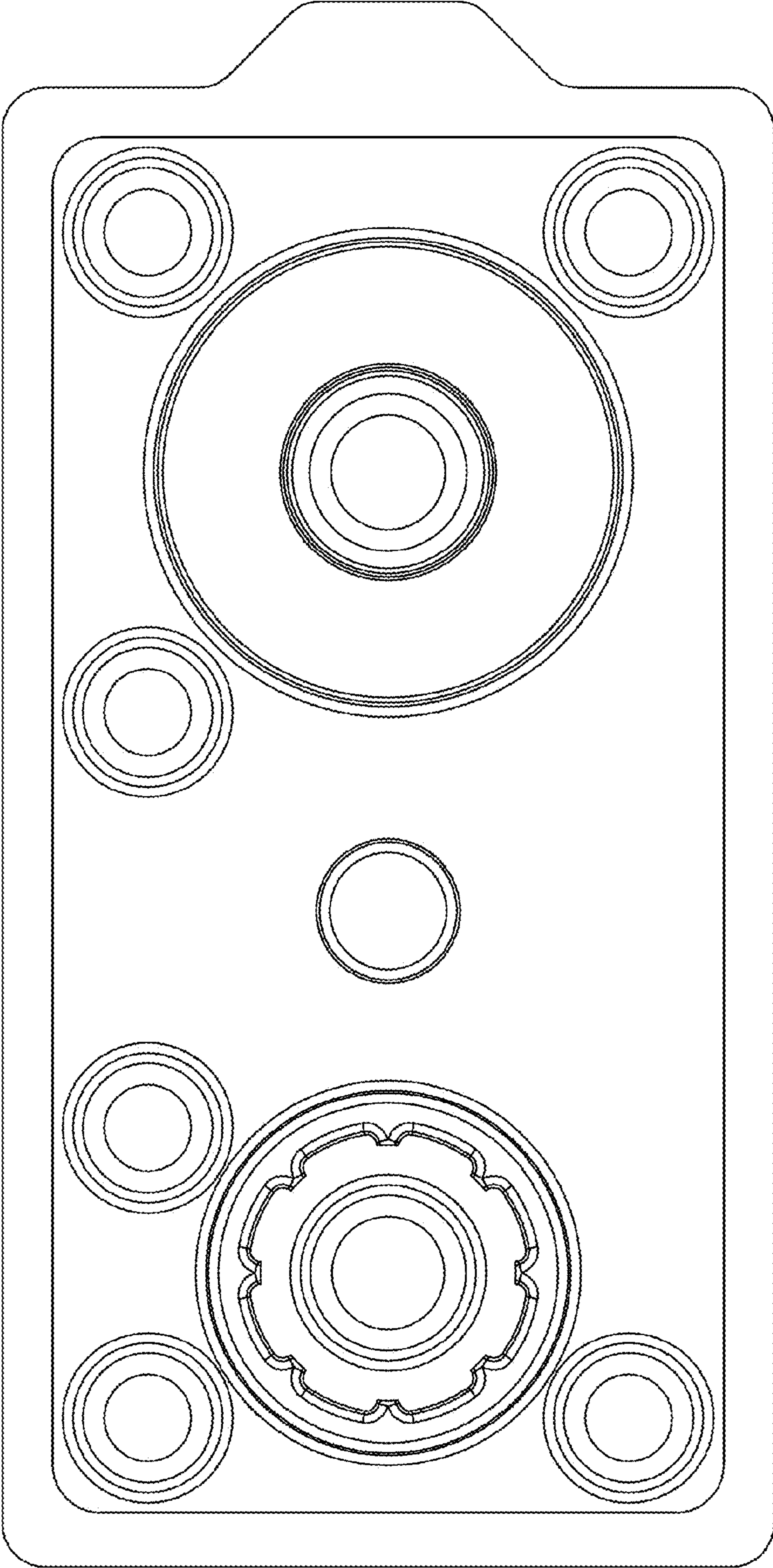


FIG. 9