



US00D695817S

(12) **United States Design Patent**
Raccah et al.

(10) **Patent No.:** **US D695,817 S**

(45) **Date of Patent:** **** Dec. 17, 2013**

(54) **CAMERA MOUNT**

D637,593 S * 5/2011 Zanetti D14/253
D653,523 S * 2/2012 Wackwitz et al. D8/354
D658,040 S * 4/2012 Ghatikar et al. D8/354

(71) Applicant: **Midland Radio Corporation**, Kansas
City, MO (US)

OTHER PUBLICATIONS

(72) Inventors: **Guy Raccah**, Kowloon (HK); **Daniel M. Devling**, Liberty, MO (US); **Paolo Torreggiani**, Mancasale (IT)

U.S. Appl. No. 29/449,974 Ex Parte Quayle Action mailed Jun. 5, 2013, 6 pages.

* cited by examiner

(73) Assignee: **Midland Radio Corporation**, Kansas
City, MO (US)

Primary Examiner — Susan Bennett Hattan

Assistant Examiner — Vy Koenig

(**) Term: **14 Years**

(74) *Attorney, Agent, or Firm* — Lathrop & Gage LLP

(21) Appl. No.: **29/449,983**

(22) Filed: **Mar. 15, 2013**

(57) **CLAIM**

The ornamental design for a camera mount, as shown and described.

(51) **LOC (9) Cl.** **16-05**

(52) **U.S. Cl.**
USPC **D16/242**

DESCRIPTION

(58) **Field of Classification Search**
USPC D16/200–204, 208, 214, 219, 235, 237,
D16/242–245, 250; D14/217, 511;
248/176.1, 177.1, 178.1, 179.1, 180.1,
248/183.1, 187.1, 683; 348/373, 375;
396/419–428; D8/312, 354, 394, 395
See application file for complete search history.

FIG. 1 is a top perspective view of a camera mount in accordance with the present invention.

FIG. 2 is another top perspective view of the camera mount of FIG. 1.

FIG. 3 is a top view of the camera mount of FIG. 1.

FIG. 4 is a bottom view of the camera mount of FIG. 1.

FIG. 5 is an end view of the camera mount of FIG. 1; and, FIG. 6 is a left side view of the camera mount of FIG. 1, with the opposite side being a mirror image of FIG. 6 except for unclaimed environmental structure.

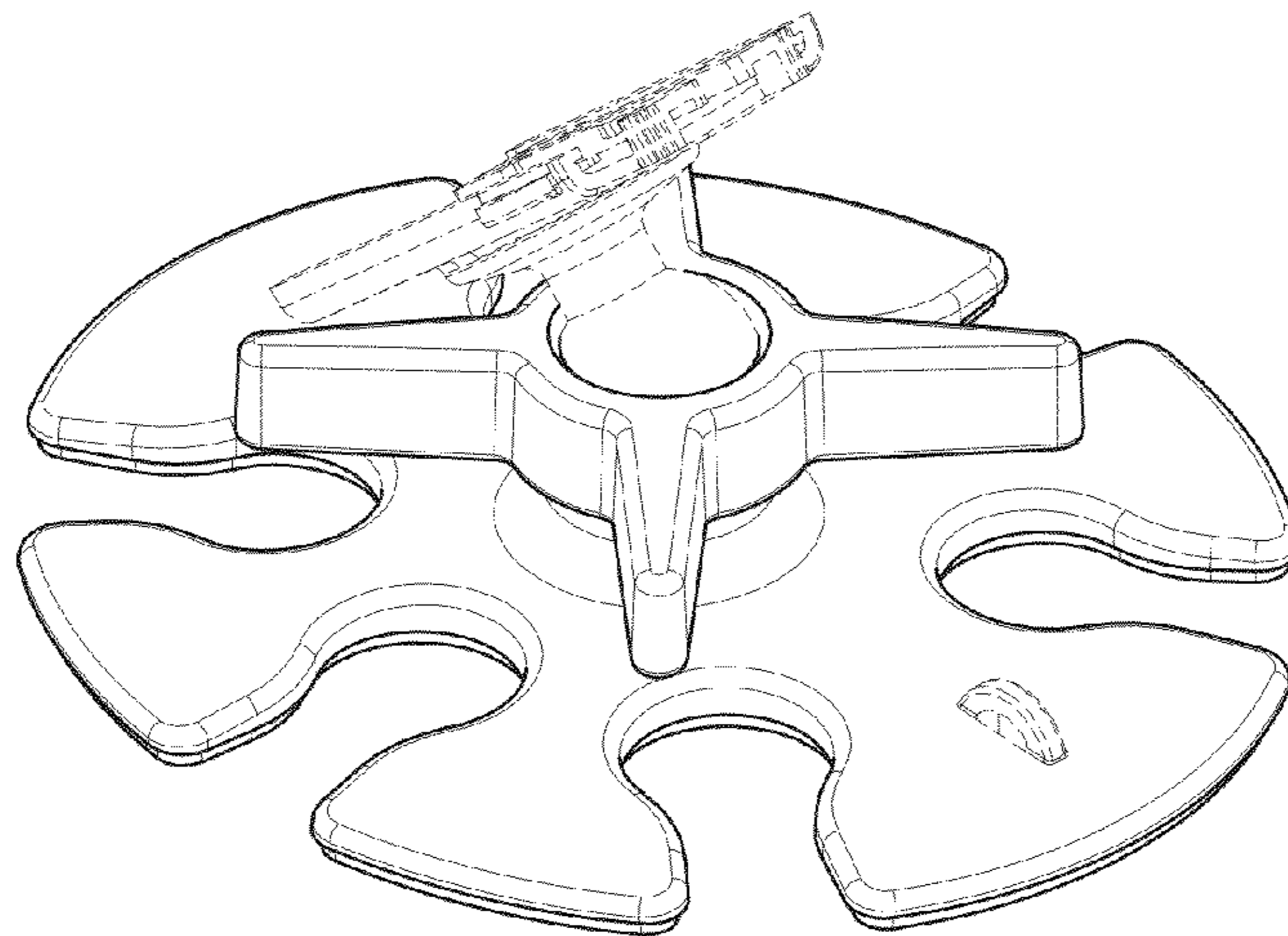
All of the broken lines in the accompanying drawings illustrate environmental structure and form no part of the claimed design.

(56) **References Cited**

U.S. PATENT DOCUMENTS

D186,422 S 10/1959 Kohler
D252,208 S * 6/1979 Ooya D16/219
D375,888 S * 11/1996 Loitherstein D8/354
D579,319 S * 10/2008 Short D8/354
D580,741 S * 11/2008 Short D8/354
D605,184 S * 12/2009 Merial et al. D14/238

1 Claim, 3 Drawing Sheets



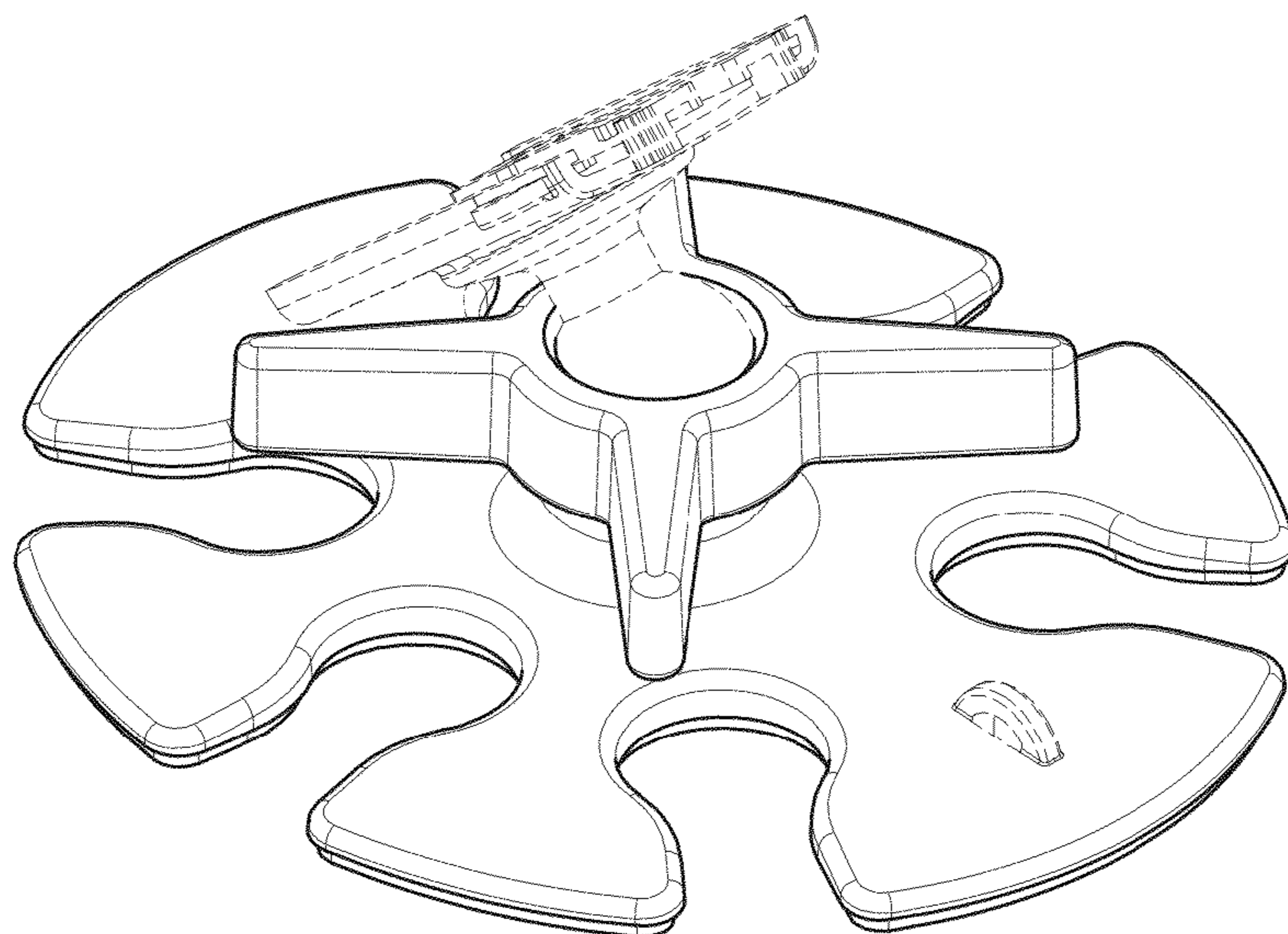


FIG. 1

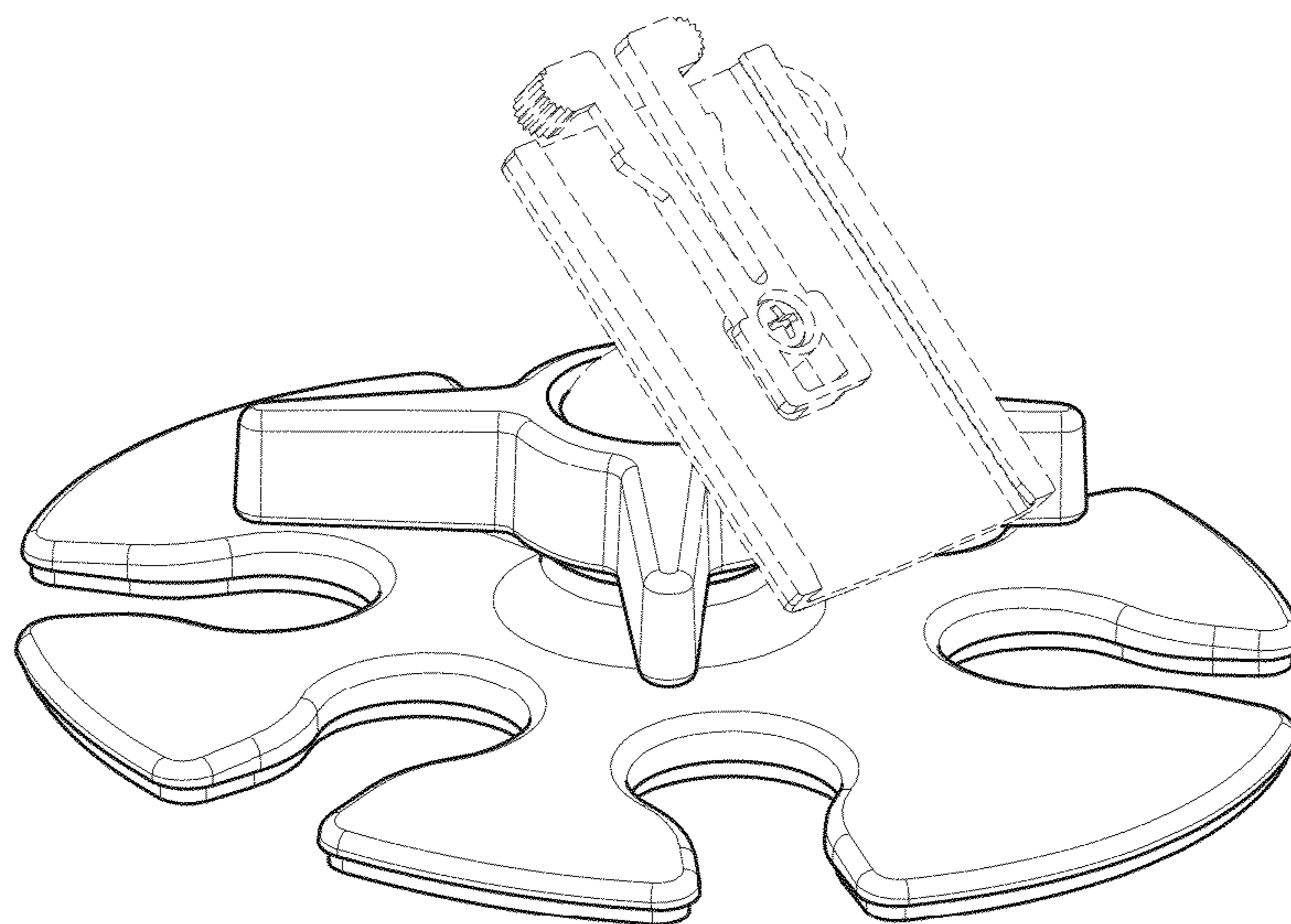


FIG. 2

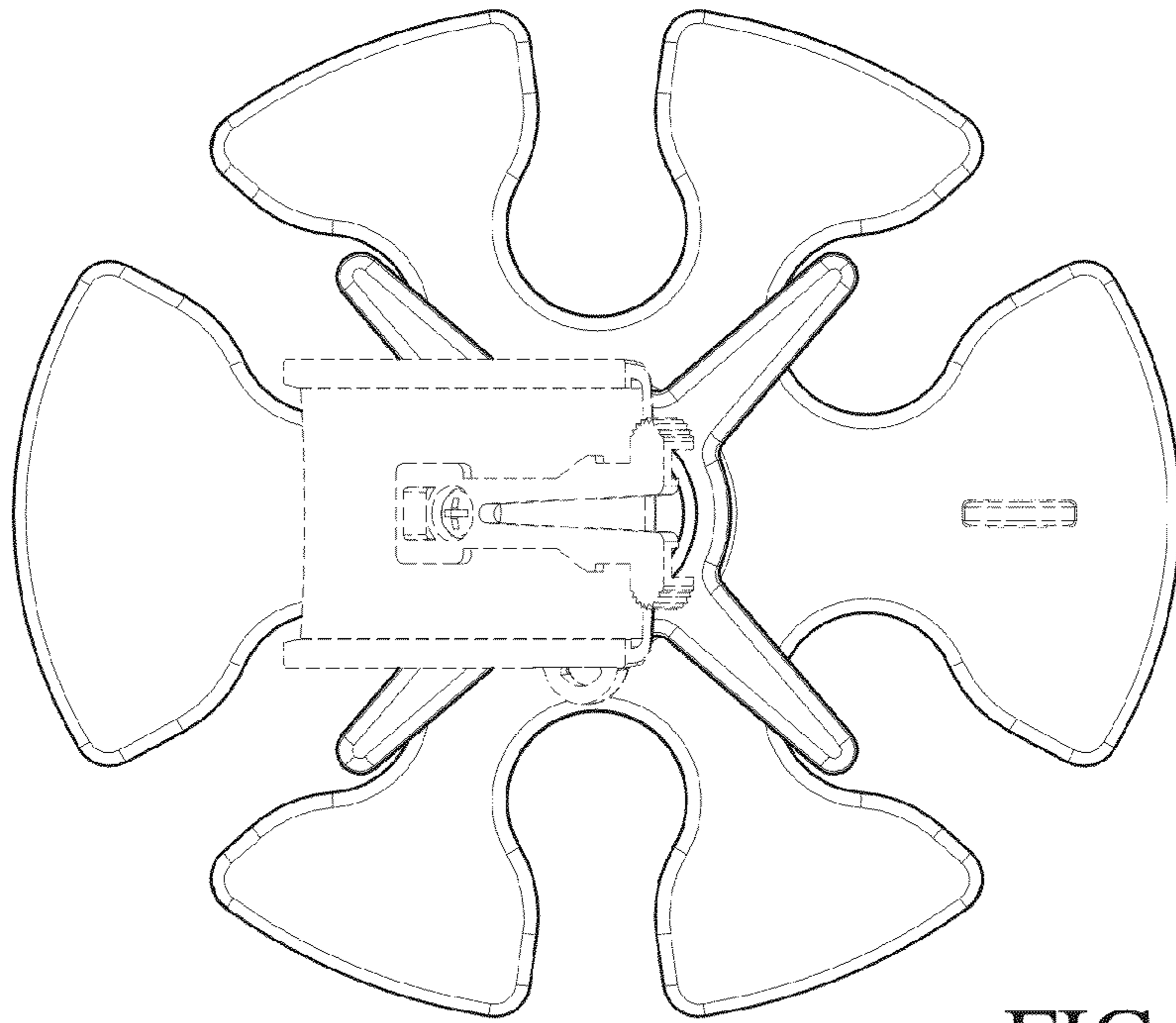


FIG. 3

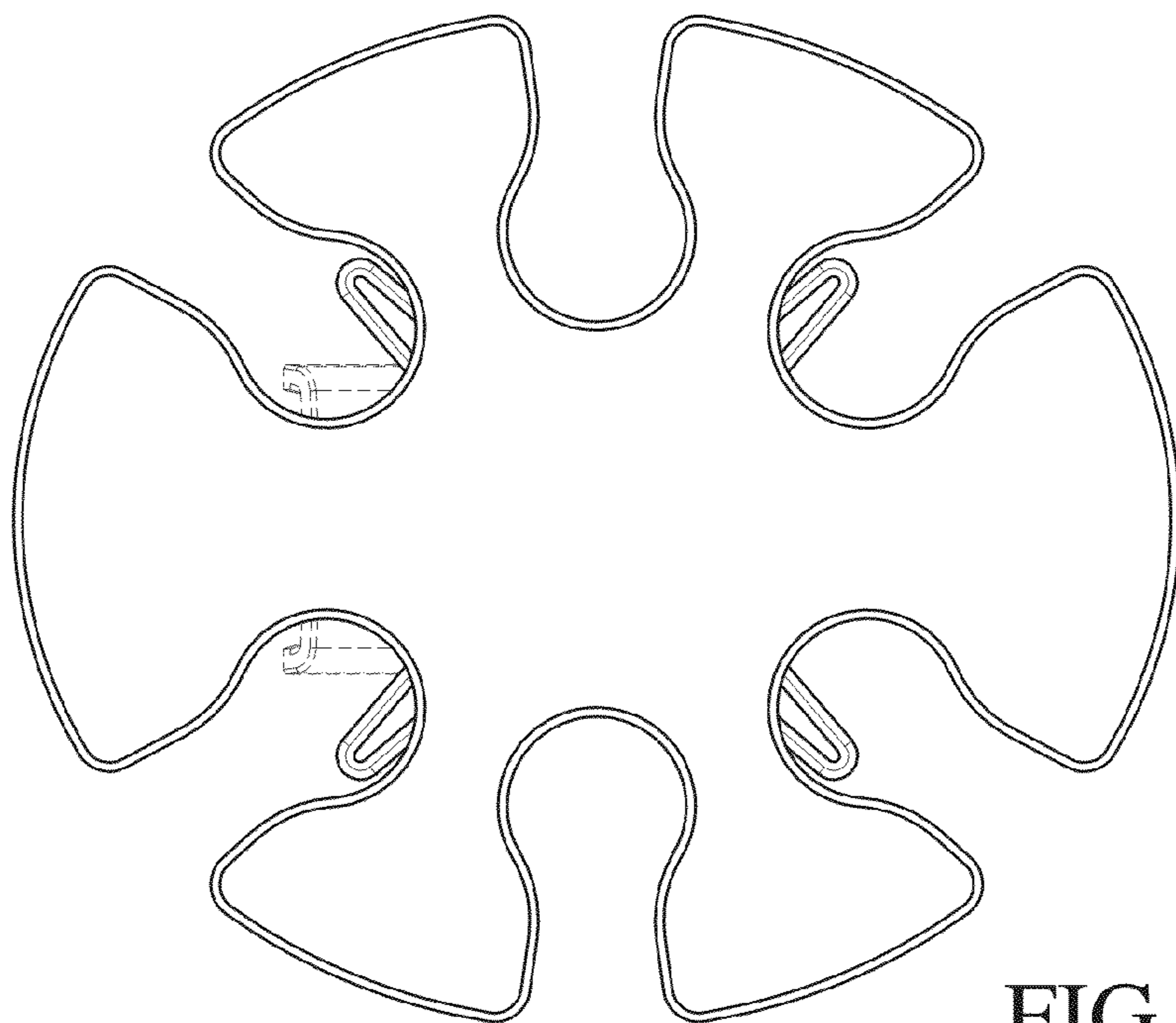


FIG. 4

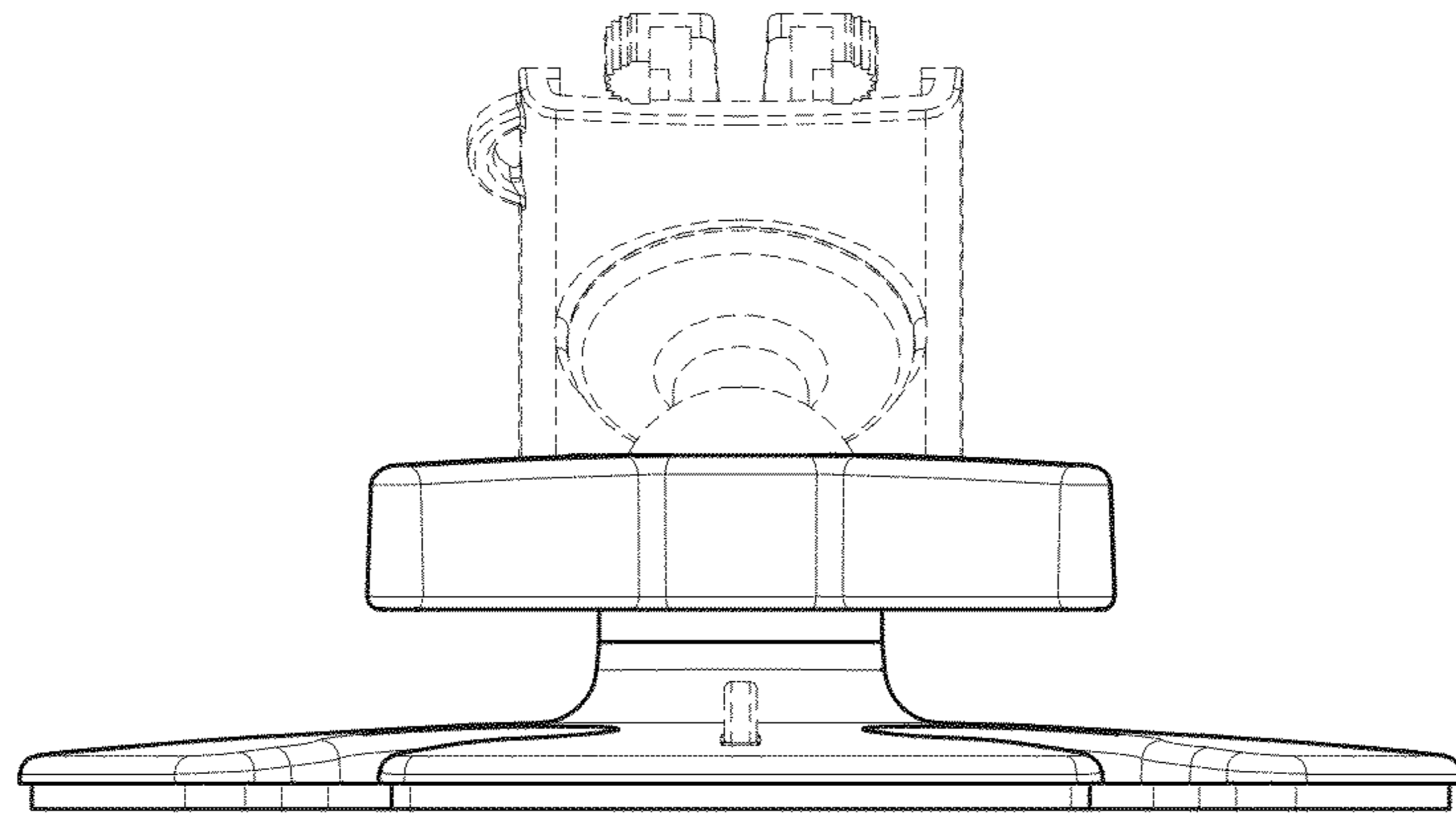


FIG. 5

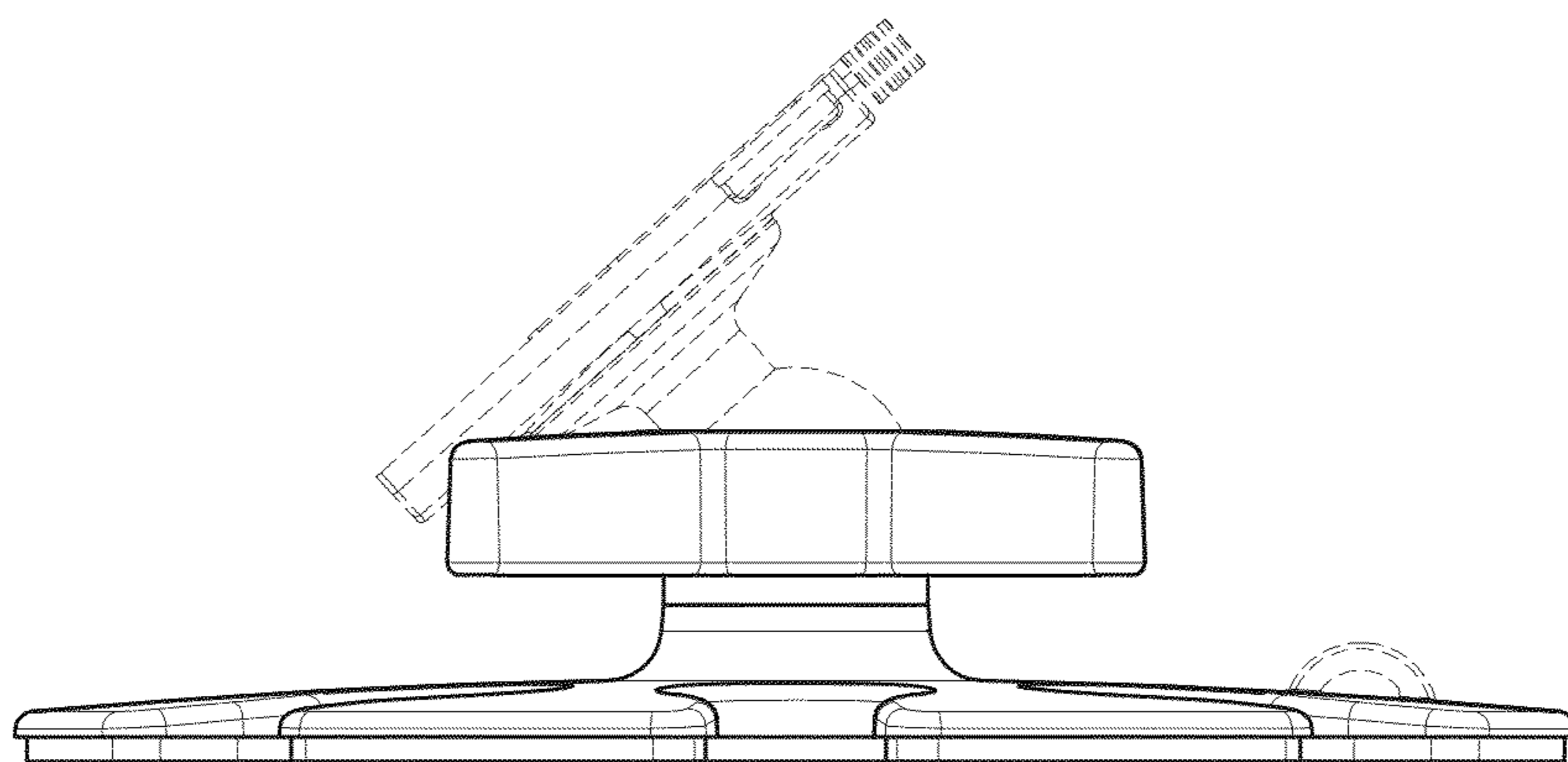


FIG. 6