



US00D695816S

(12) **United States Design Patent**  
**Raccah et al.**

(10) **Patent No.:** **US D695,816 S**

(45) **Date of Patent:** **\*\* Dec. 17, 2013**

(54) **CAMERA MOUNT**

(71) Applicant: **Midland Radio Corporation**, Kansas  
City, MO (US)

(72) Inventors: **Guy Raccah**, Kowloon (HK); **Daniel M. Devling**, Liberty, MO (US); **Paolo Torreggiani**, Mancasale (IT)

(73) Assignee: **Midland Radio Corporation**, Kansas  
City, MO (US)

(\*\*) Term: **14 Years**

(21) Appl. No.: **29/449,974**

(22) Filed: **Mar. 15, 2013**

(51) **LOC (9) Cl.** ..... **16-05**

(52) **U.S. Cl.**  
USPC ..... **D16/242**

(58) **Field of Classification Search**  
USPC ..... D16/200–204, 208, 214, 219, 235, 237,  
D16/242–245, 250; D14/217, 511;  
248/176.1, 177.1, 178.1, 179.1, 180.1,  
248/183.1, 187.1, 683; 348/373, 375;  
396/419–428; D8/312, 354, 394, 395  
See application file for complete search history.

(56) **References Cited**

**U.S. PATENT DOCUMENTS**

D186,422 S \* 10/1959 Kohler ..... D23/254  
D252,208 S \* 6/1979 Ooya ..... D16/219  
D375,888 S \* 11/1996 Loitherstein ..... D8/354  
D579,319 S \* 10/2008 Short ..... D8/354

D580,741 S \* 11/2008 Short ..... D8/354  
D605,184 S \* 12/2009 Merial et al. .... D14/238  
D637,593 S \* 5/2011 Zanetti  
D653,523 S \* 2/2012 Wackwitz et al. .... D8/354  
D658,040 S \* 4/2012 Ghatikar et al.

**OTHER PUBLICATIONS**

U.S. Appl. No. 29/449,983 Ex Parte Quayle Action mailed Jun. 6, 2013, 7 pages.

\* cited by examiner

*Primary Examiner* — Susan Bennett Hattan

*Assistant Examiner* — Vy Koenig

(74) *Attorney, Agent, or Firm* — Lathrop & Gage LLP

(57) **CLAIM**

The ornamental design for a camera mount, as shown and described.

**DESCRIPTION**

FIG. 1 is a front view of a camera mount in accordance with the present invention;

FIG. 2 is a bottom view of the camera mount of FIG. 1.

FIG. 3 is a top view of the camera mount of FIG. 1.

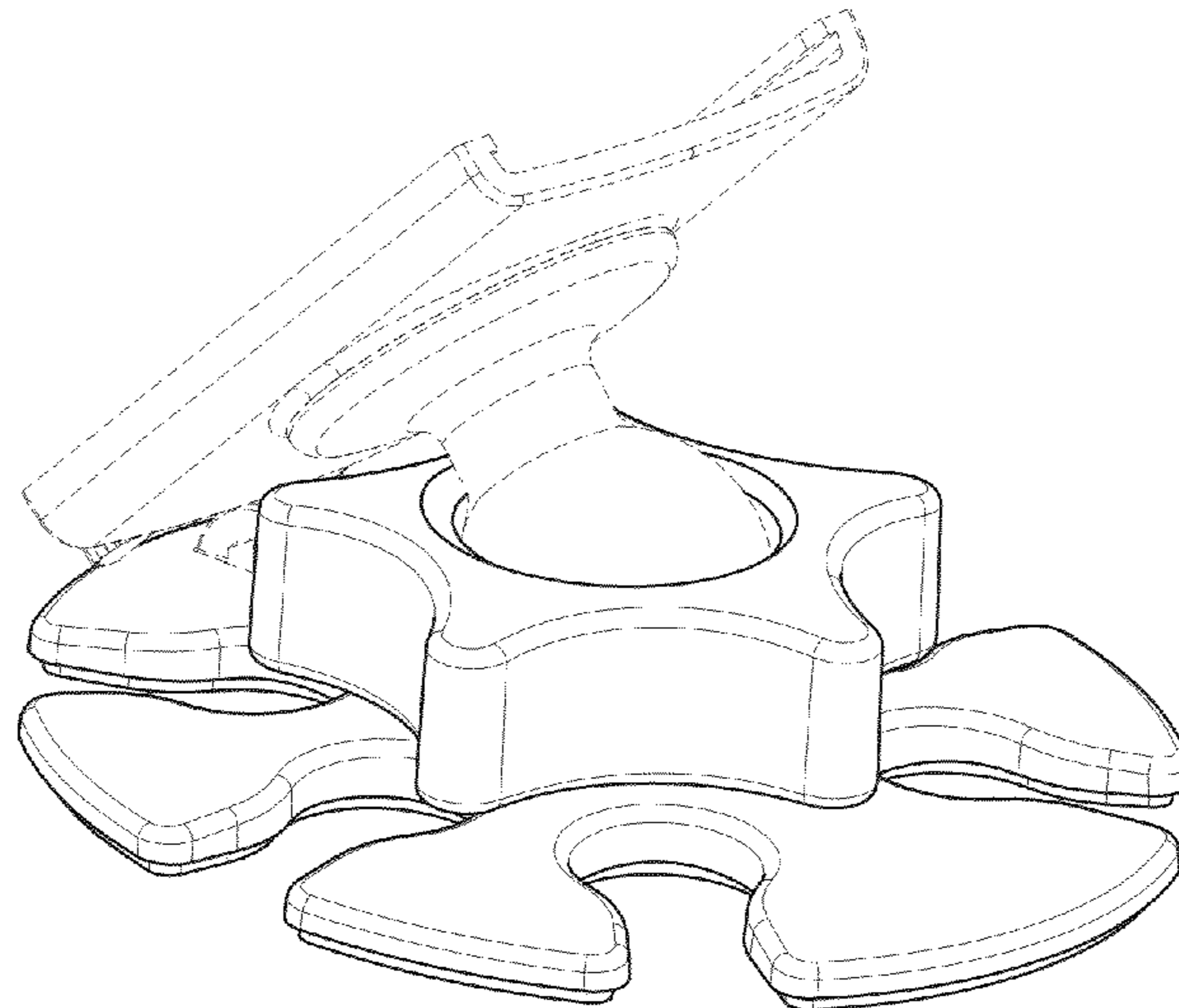
FIG. 4 is a rear perspective view of the camera mount of FIG. 1.

FIG. 5 is a front perspective view of the camera mount of FIG. 1; and,

FIG. 6 is a left side view of the camera mount of FIG. 1, with the opposite side being a mirror image of FIG. 6 except for unclaimed environmental structure.

All of the broken lines in the accompanying drawings illustrate environmental structure and form no part of the claimed design.

**1 Claim, 3 Drawing Sheets**



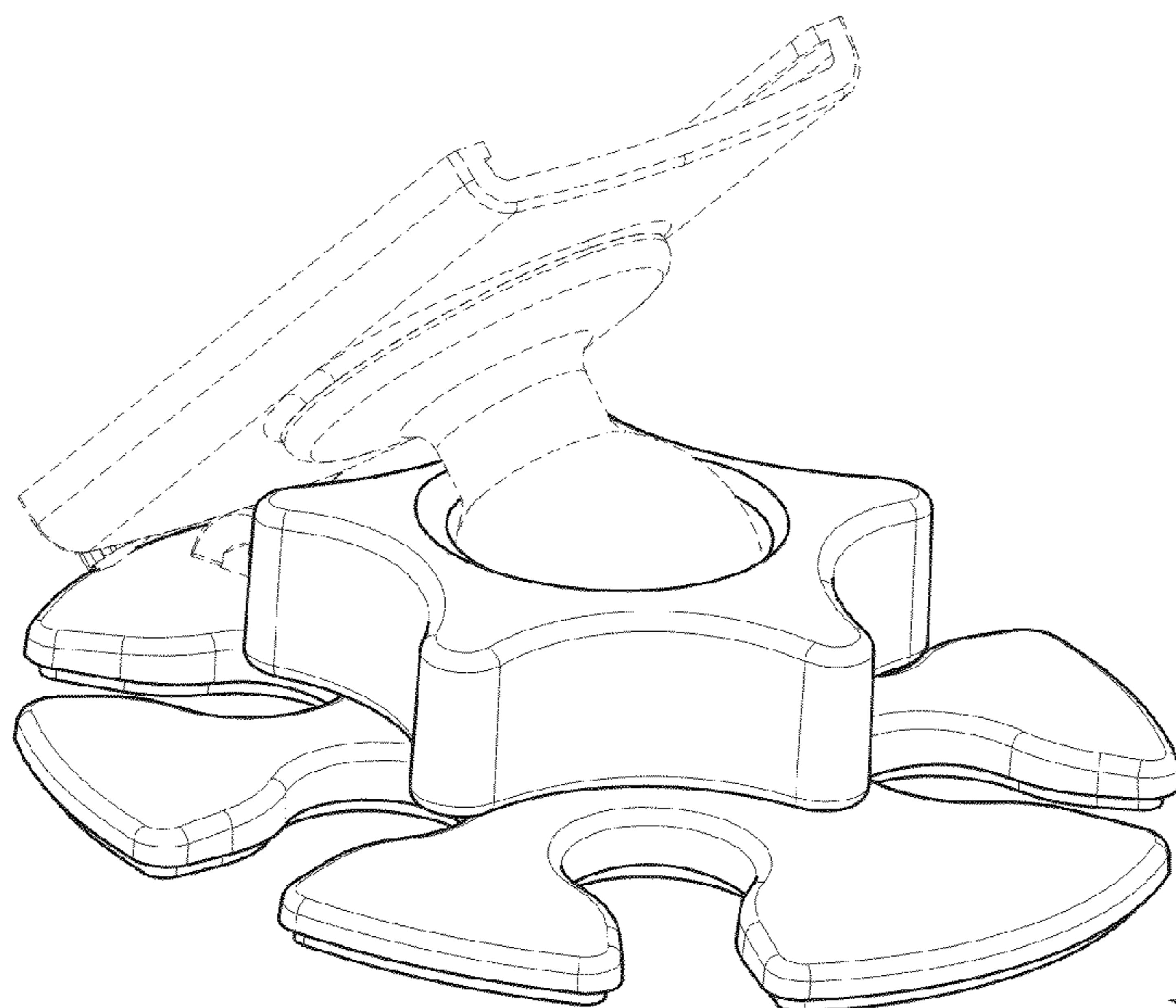


FIG. 1

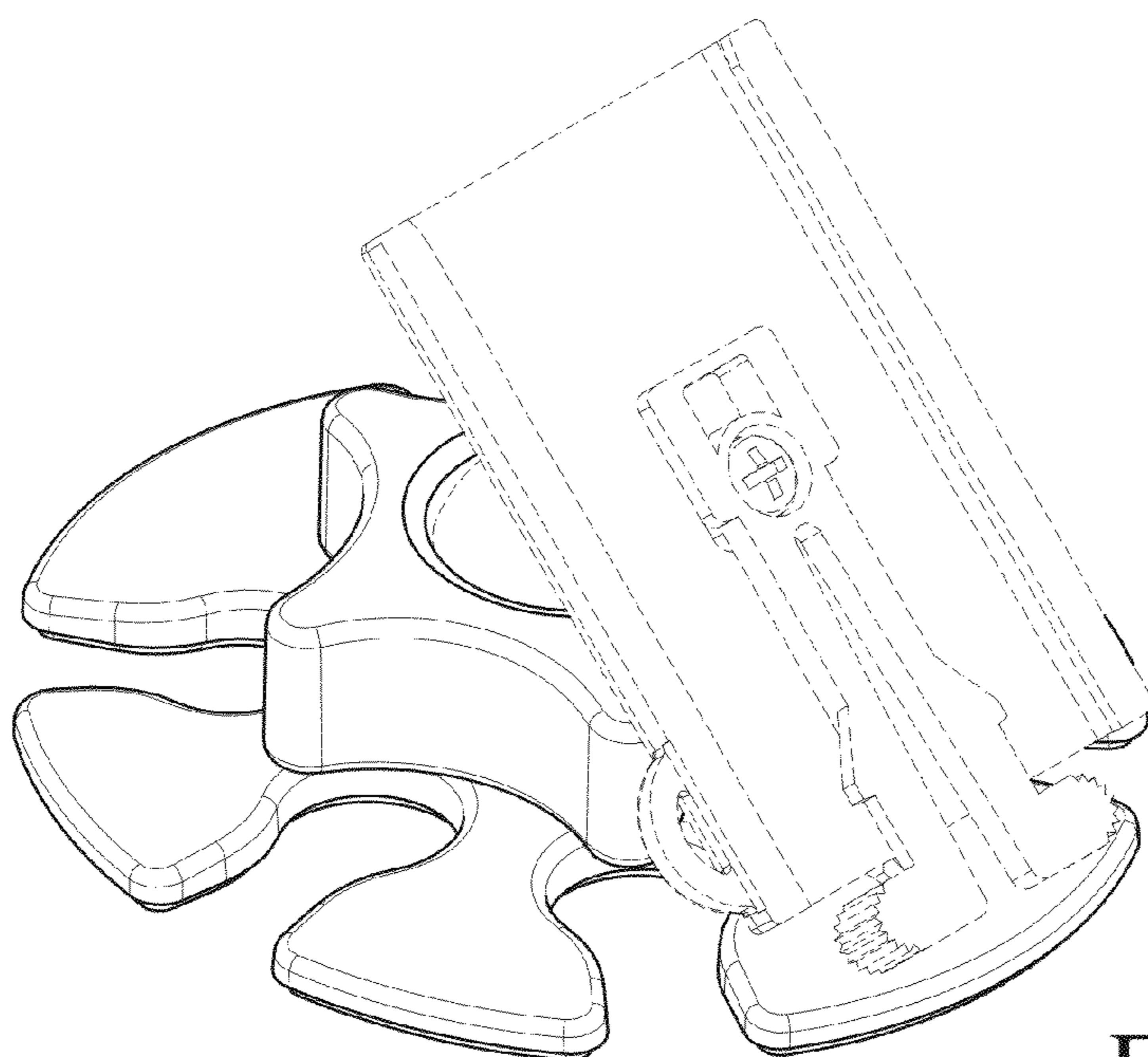


FIG. 2

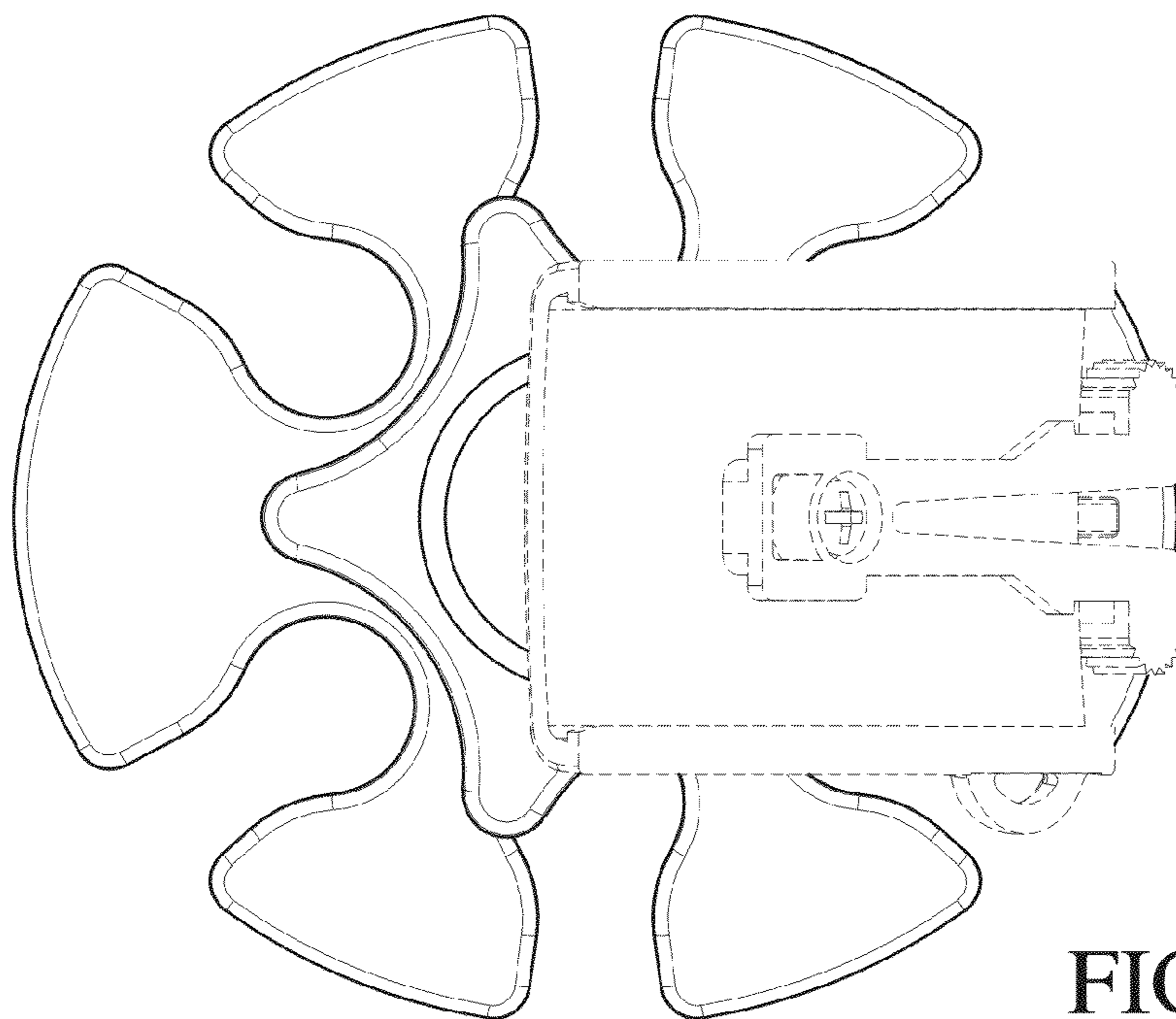


FIG. 3

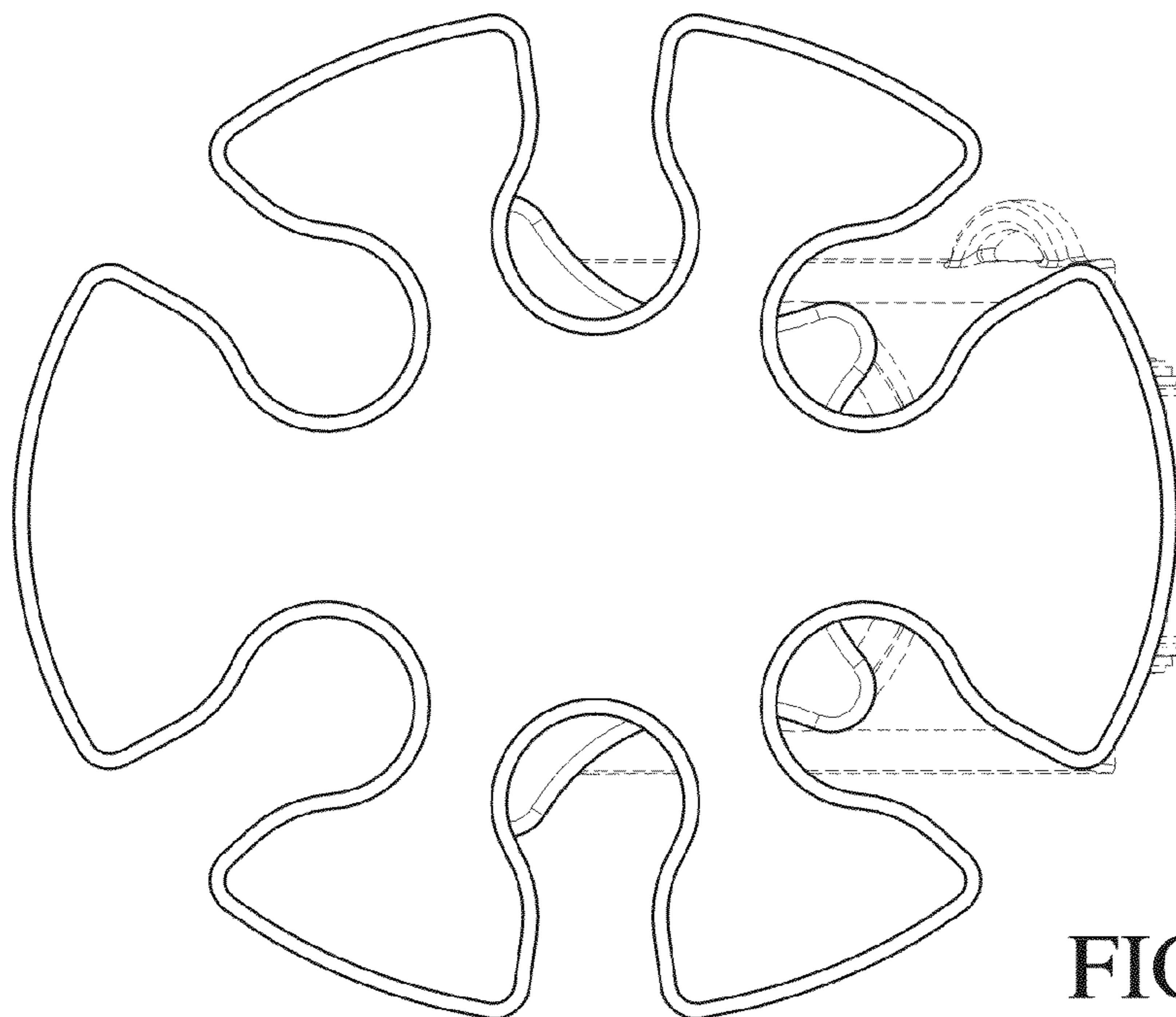


FIG. 4

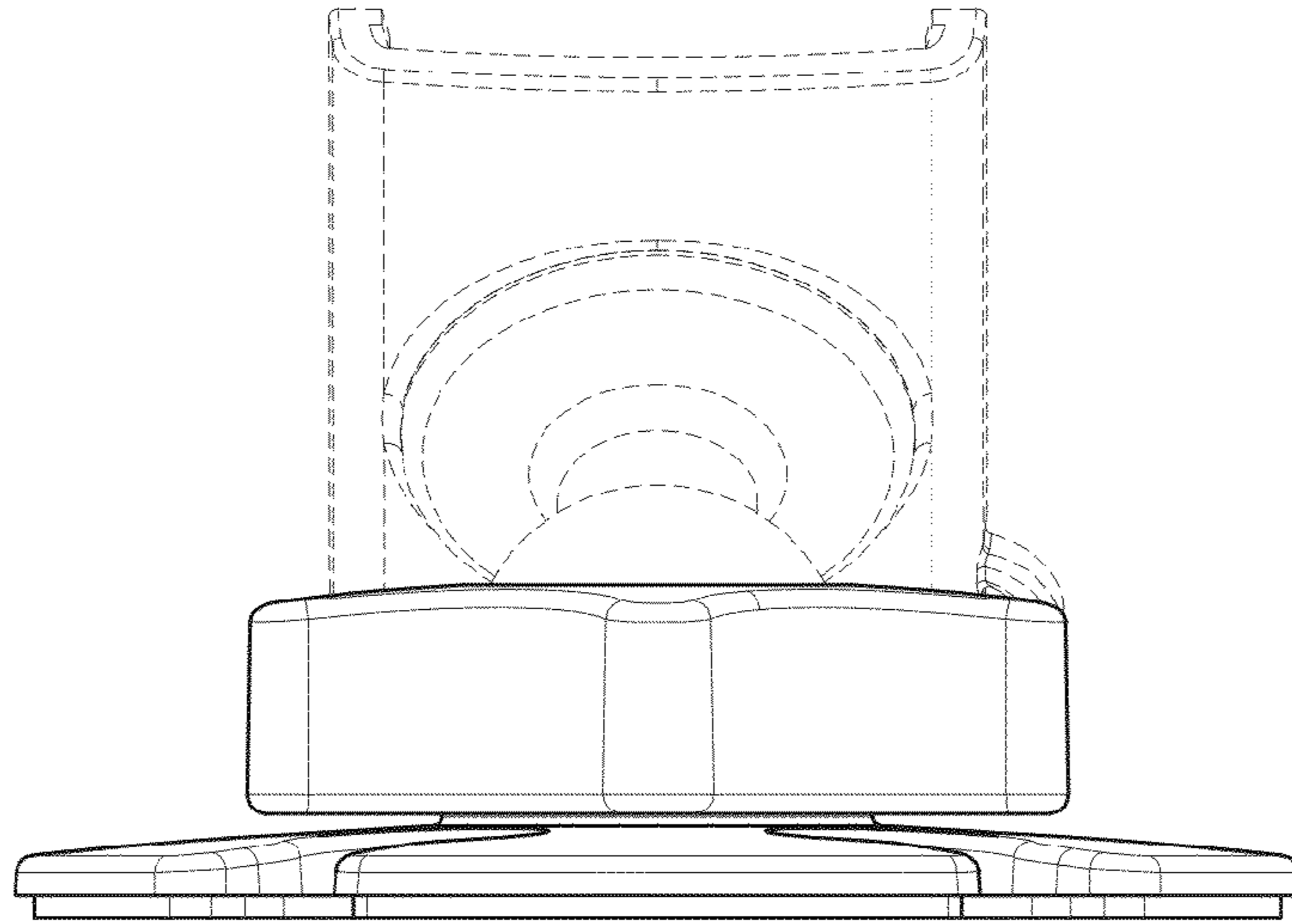


FIG. 5

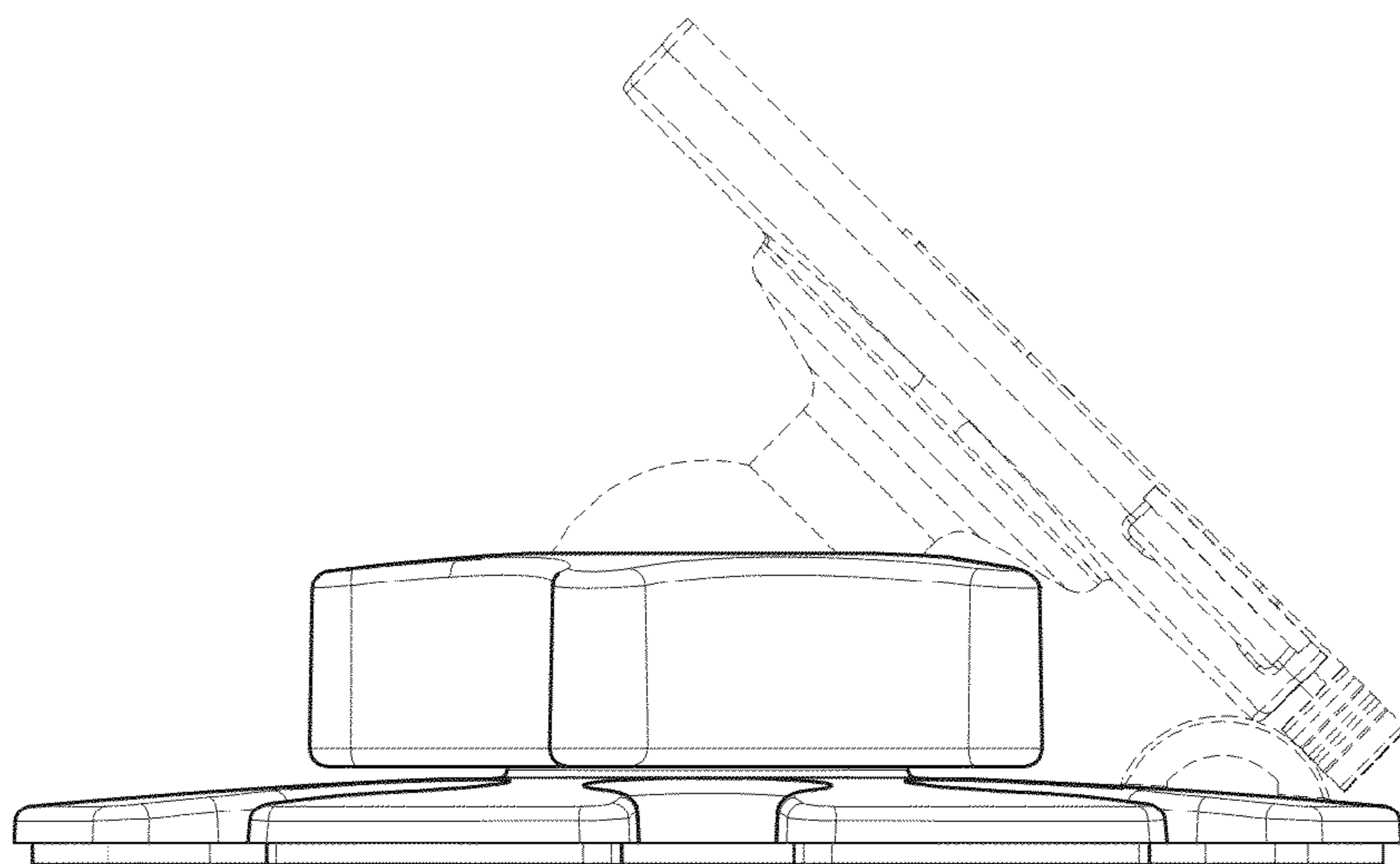


FIG. 6