



US00D695815S

(12) **United States Design Patent**  
**Takahashi**

(10) **Patent No.:** **US D695,815 S**  
(45) **Date of Patent:** **\*\* Dec. 17, 2013**

(54) **CAMERA STROBE WITH MOVIE LIGHT**

D598,919 S \* 8/2009 Takemasa et al. .... D14/432  
D628,614 S \* 12/2010 Barley et al. .... D16/219  
D657,412 S \* 4/2012 Barley et al. .... D16/219

(75) Inventor: **Noriaki Takahashi**, Hino (JP)

(73) Assignee: **Olympus Imaging Corp.**, Tokyo (JP)

(\*\*) Term: **14 Years**

(21) Appl. No.: **29/422,194**

(22) Filed: **May 17, 2012**

(30) **Foreign Application Priority Data**

Feb. 22, 2012 (JP) ..... 2012-003643

(51) **LOC (9) Cl.** ..... **16-05**

(52) **U.S. Cl.**  
USPC ..... **D16/240**

(58) **Field of Classification Search**

USPC ..... D16/134, 219, 237, 239, 240; D26/24,  
D26/37-38, 63, 110, 113, 129; 362/3,  
362/16-18, 182, 552, 612; D13/180, 182;  
313/313-316; 348/370; 396/200;  
D10/47, 64, 67, 85, 94, 102, 103;  
D14/217, 257, 432, 471  
See application file for complete search history.

(56) **References Cited**

**U.S. PATENT DOCUMENTS**

D244,203 S \* 5/1977 Simerl ..... D10/103  
D559,230 S \* 1/2008 Griffin et al. .... D14/217

**OTHER PUBLICATIONS**

Olympus FL-600R. [online] Retrieved Aug. 22, 2013 from URL:  
<<http://www.adorama.com/IOMFL600R.html>>.\*

\* cited by examiner

*Primary Examiner* — Susan Bennett Hattan

*Assistant Examiner* — Vy Koenig

(74) *Attorney, Agent, or Firm* — Holtz, Holtz, Goodman & Chick, PC

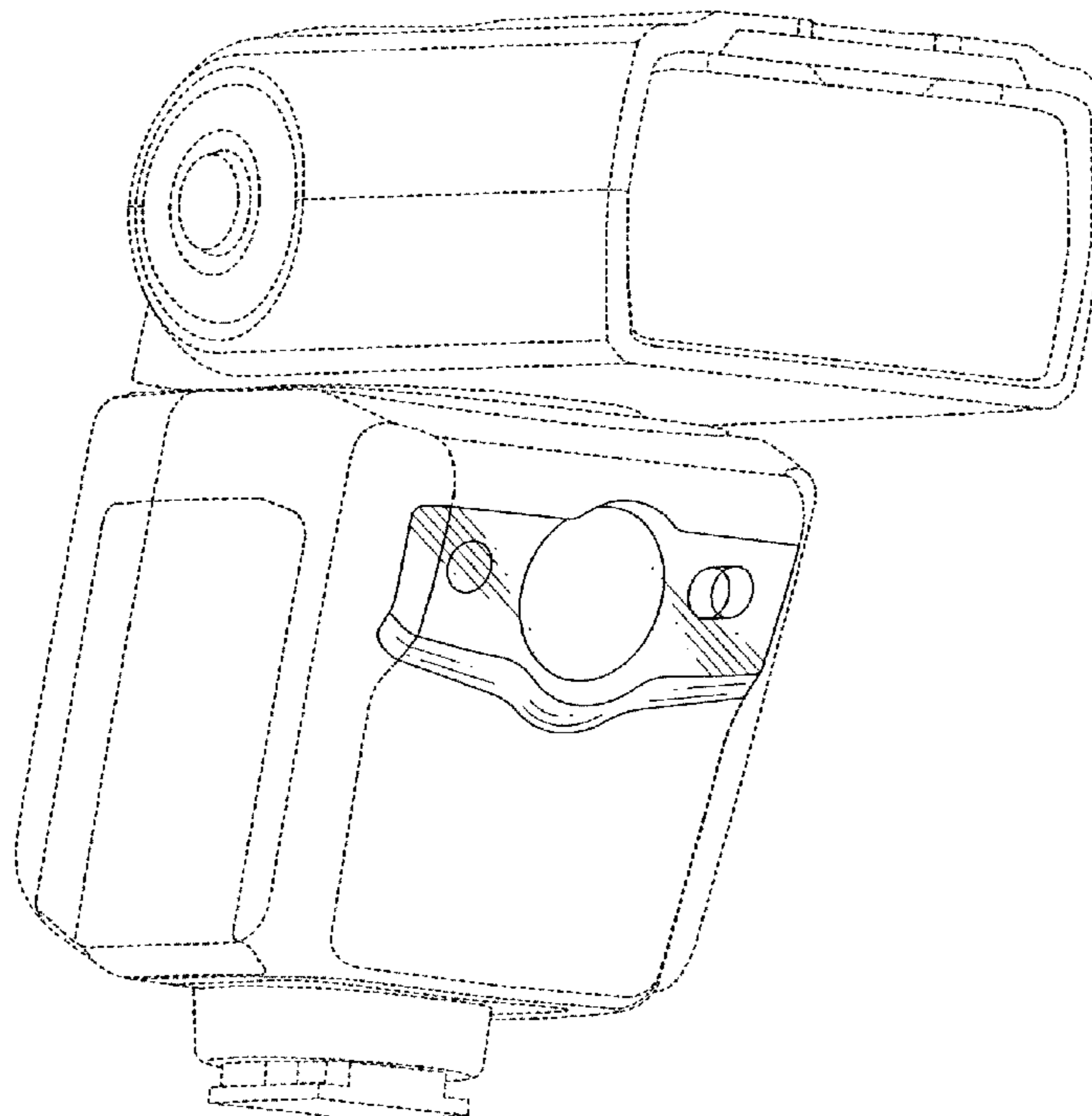
(57) **CLAIM**

The ornamental design for a camera strobe with movie light, as shown and described.

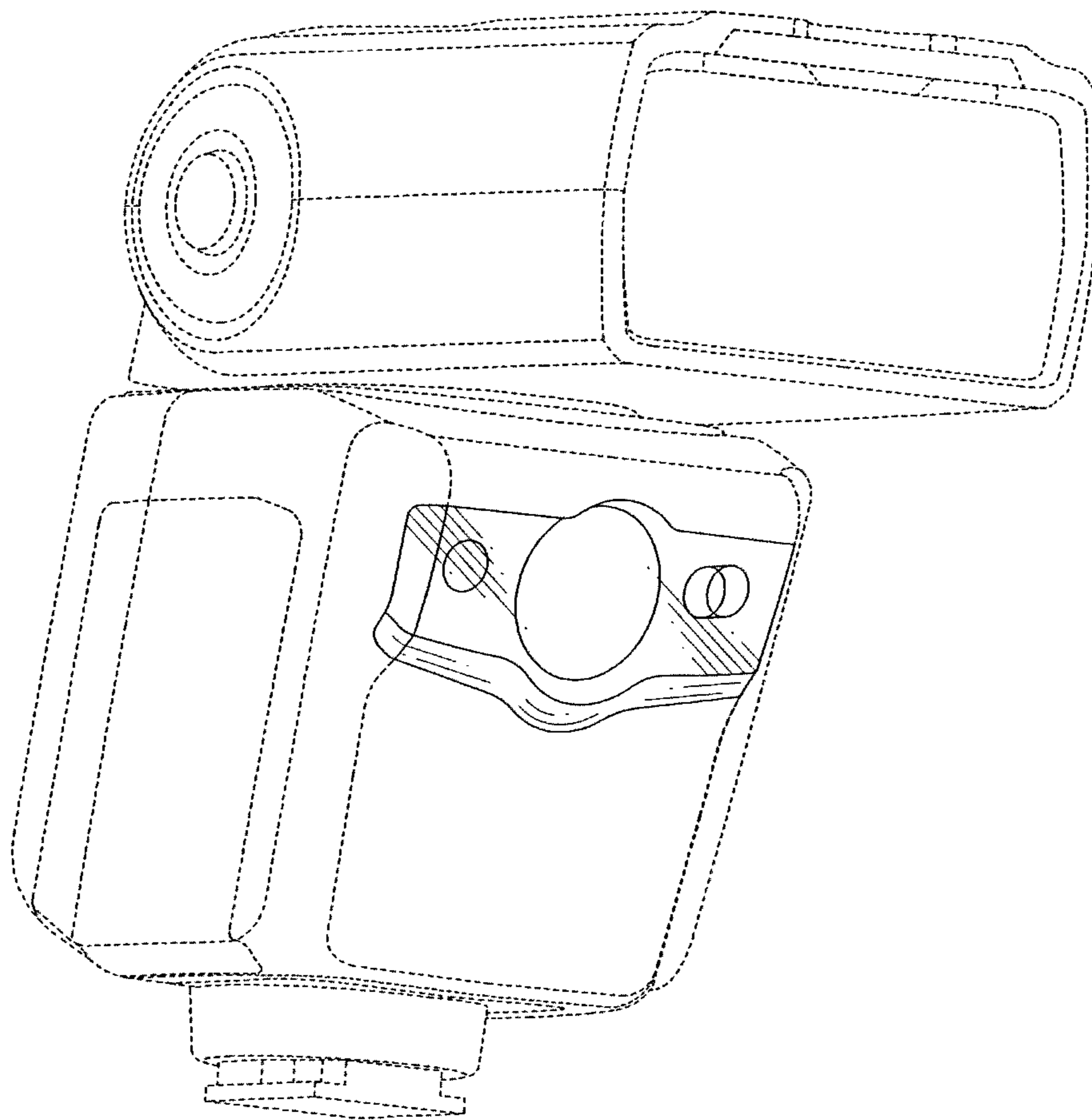
**DESCRIPTION**

FIG. 1 is a front, top and left side perspective view of a camera strobe with movie light showing my new design, FIG. 2 is a front elevational view thereof; FIG. 3 is a rear elevational view thereof; FIG. 4 is a top plan view thereof; FIG. 5 is a bottom plan view thereof; FIG. 6 is a right side elevational view thereof; and, FIG. 7 is a left side elevational view thereof. The broken lines shown in the drawings represent portions of the camera strobe with movie light that form no part of the claimed design.

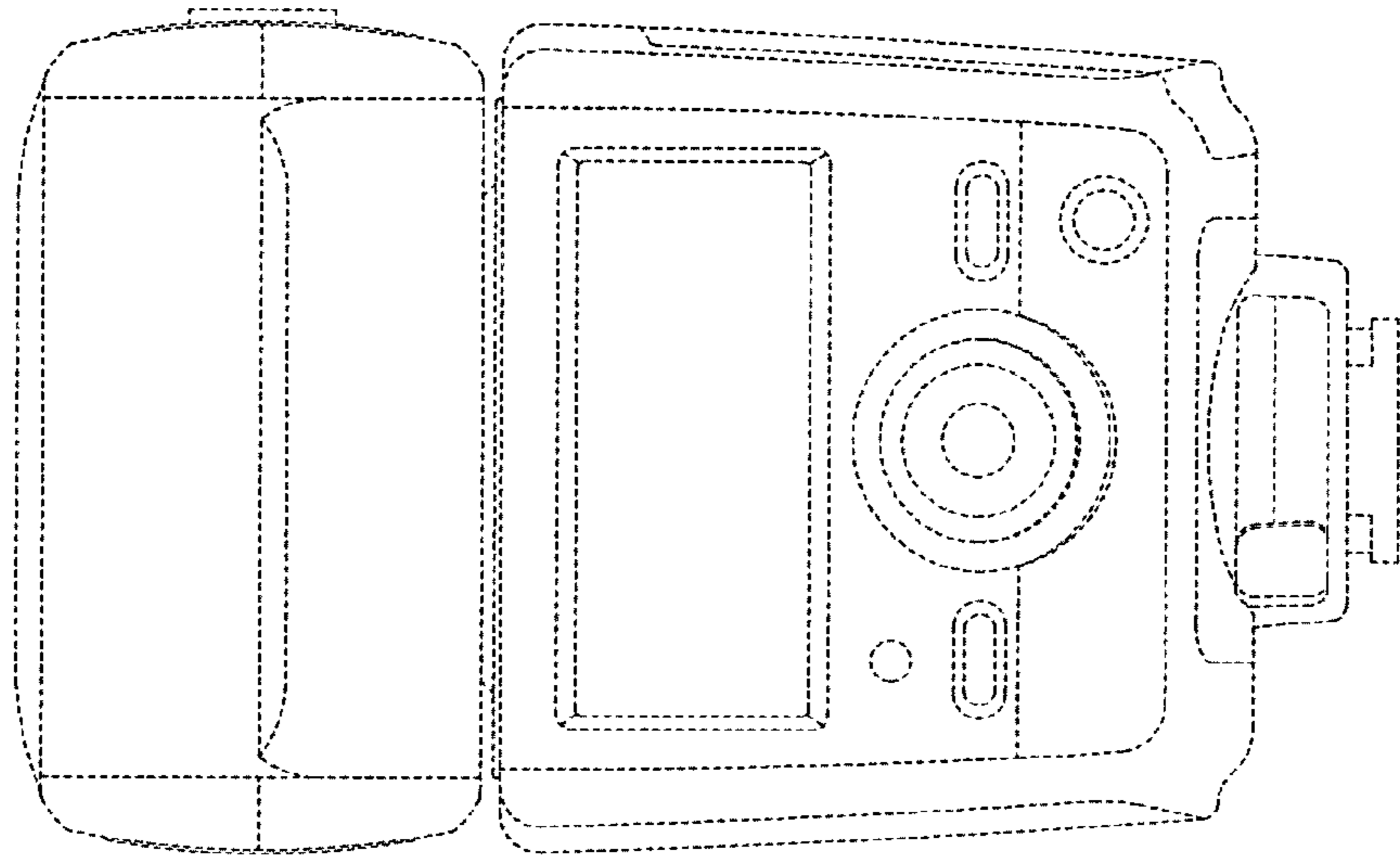
**1 Claim, 4 Drawing Sheets**



**FIG.1**



**FIG.3**



**FIG.2**

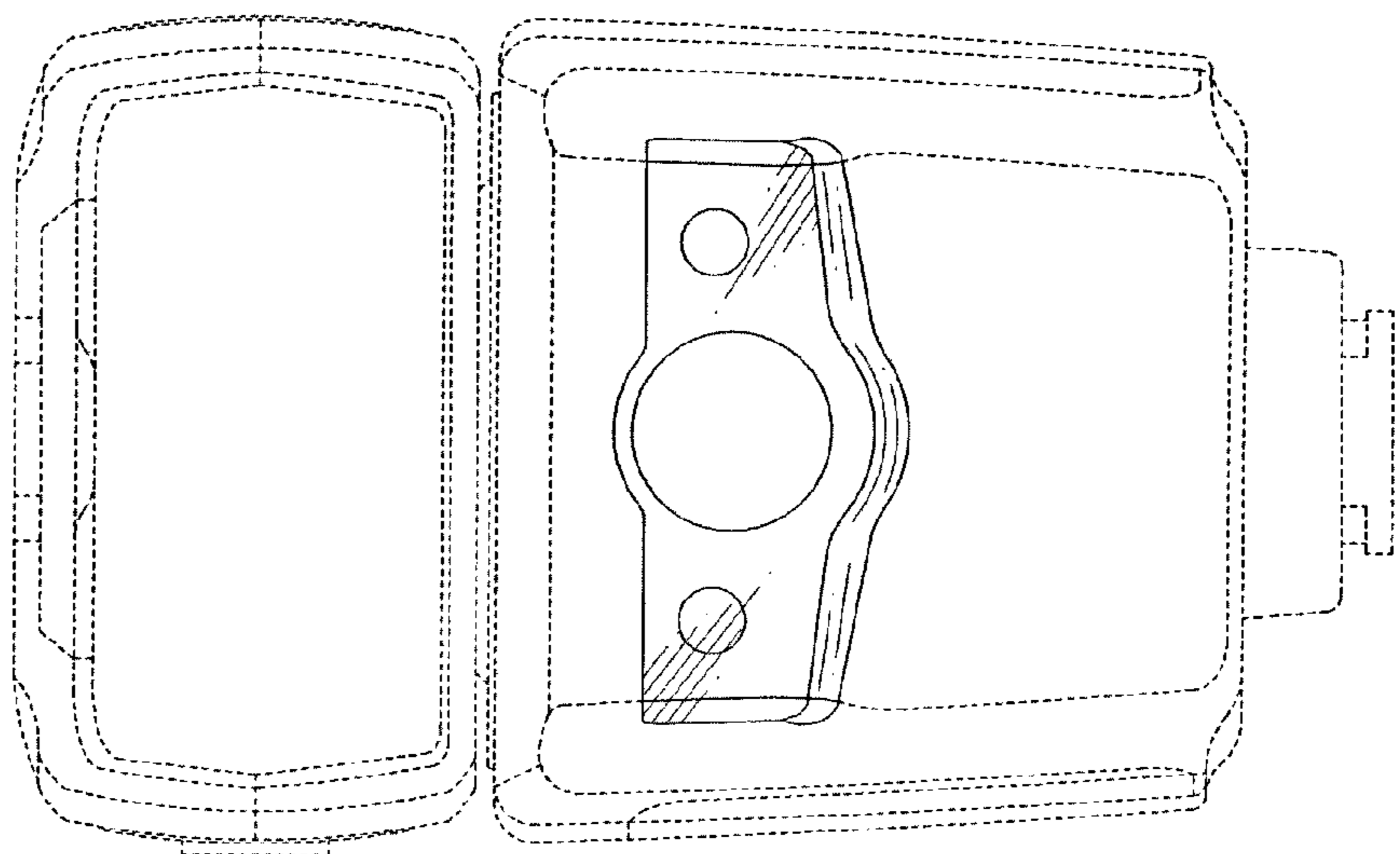


FIG.5

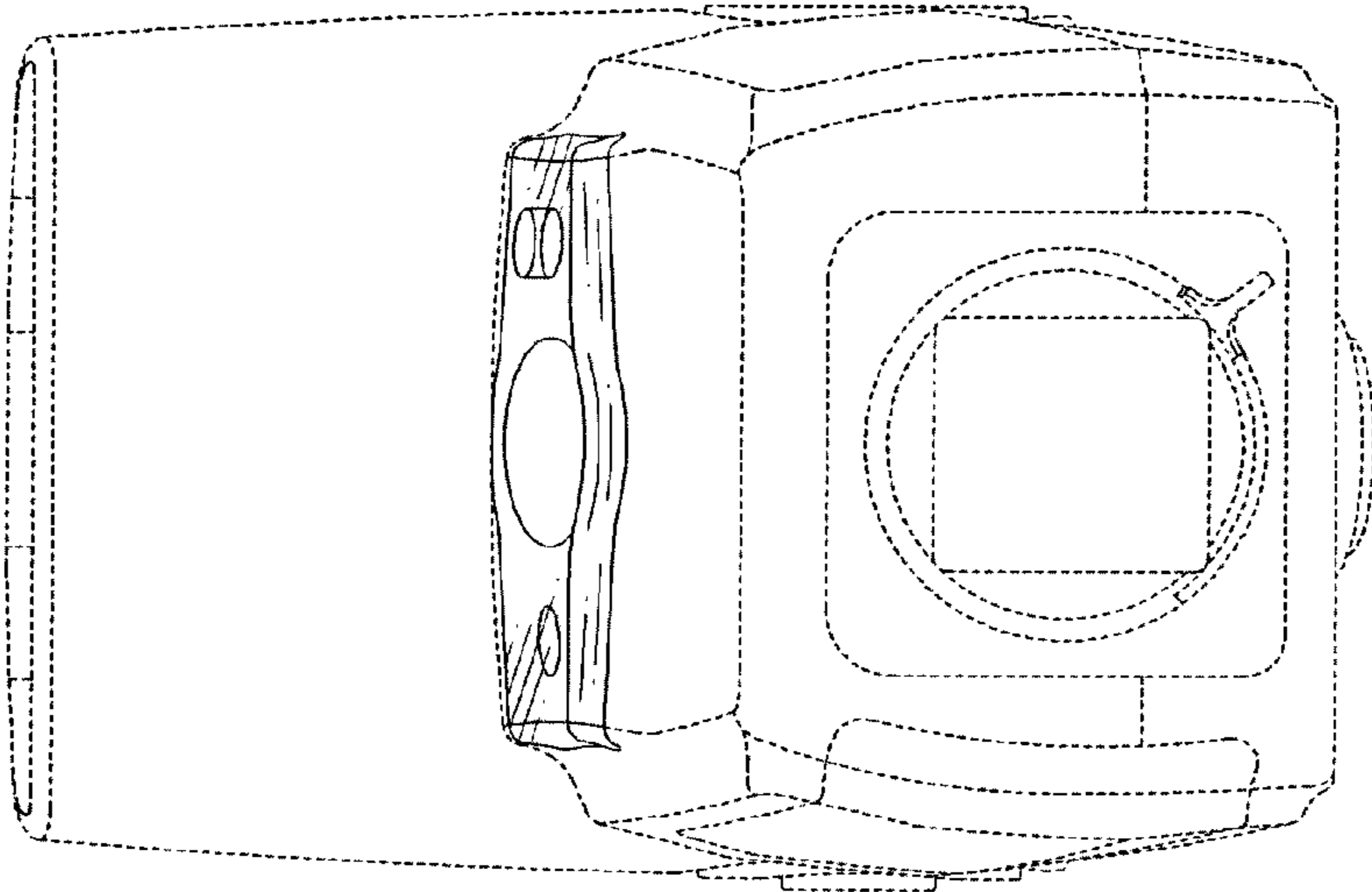


FIG.4

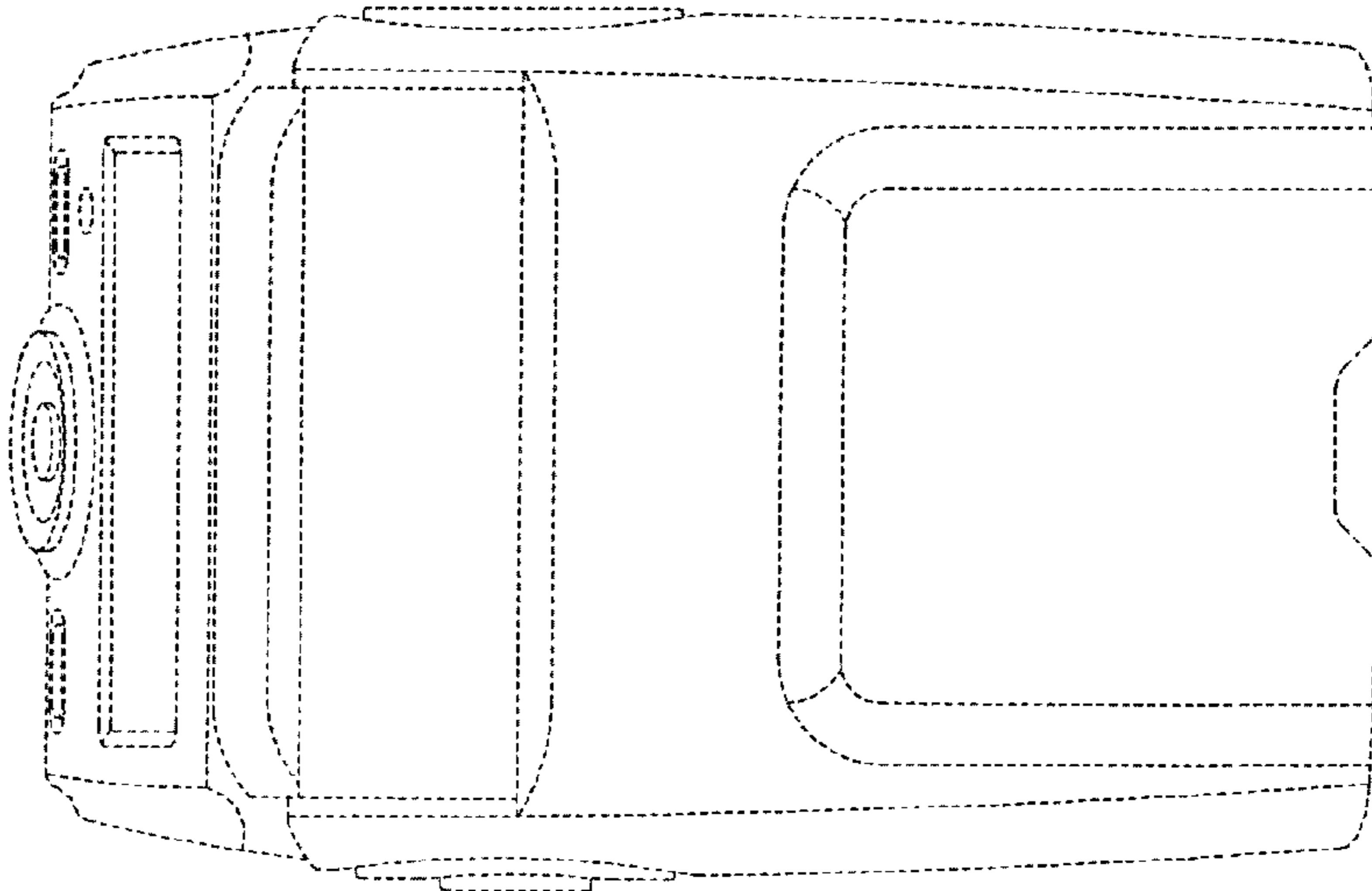


FIG.7

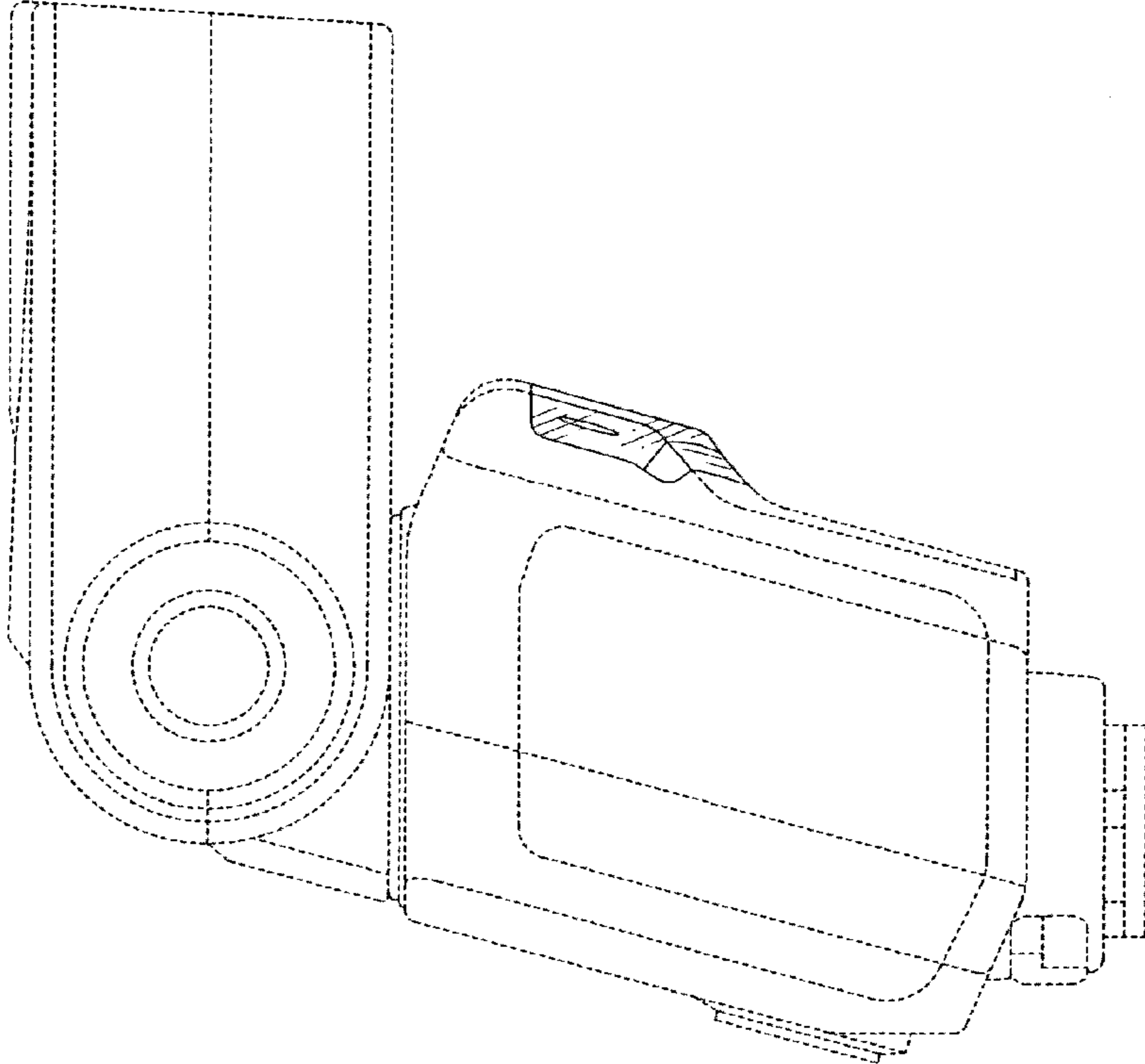


FIG.6

