



US00D695812S

(12) **United States Design Patent**
Kim et al.

(10) **Patent No.:** **US D695,812 S**

(45) **Date of Patent:** **** Dec. 17, 2013**

(54) **PROJECTOR**

(75) Inventors: **Wan-Sup Kim**, Seoul (KR); **Ji-Sang Park**, Kyunggi-do (KR)

(73) Assignee: **Samsung Electronics Co., Ltd.**, Suwon-si, Gyeonggi-do (KR)

(**) Term: **14 Years**

(21) Appl. No.: **29/422,971**

(22) Filed: **May 25, 2012**

(30) **Foreign Application Priority Data**

Dec. 14, 2011 (KR) 30-2011-0053122

(51) **LOC (9) Cl.** **16-02**

(52) **U.S. Cl.**
USPC **D16/225**

(58) **Field of Classification Search**
USPC D16/205, 208, 221, 225, 230–231, 234;
D21/514; 353/39, 115, 119, 122
See application file for complete search history.

(56) **References Cited**

U.S. PATENT DOCUMENTS

D356,103 S *	3/1995	Saeki et al.	D16/221
D397,709 S	9/1998	Park et al.		
D401,953 S	12/1998	Oh et al.		
D401,954 S	12/1998	Oh et al.		
D480,409 S *	10/2003	Wang et al.	D16/230
D482,380 S *	11/2003	Salvatori et al.	D16/230
D494,995 S	8/2004	Kim et al.		
D499,753 S *	12/2004	Shigemura et al.	D16/230
7,152,980 B2 *	12/2006	Yang et al.	353/97
D546,864 S	7/2007	Kim		
D556,810 S *	12/2007	Miyauchi et al.	D16/230
D557,316 S	12/2007	Bang et al.		
D581,963 S	12/2008	Kang et al.		

D584,327 S	1/2009	Kang et al.
D602,513 S	10/2009	Kim et al.
D610,187 S	2/2010	Kim et al.
D616,010 S	5/2010	Song et al.
D631,080 S	1/2011	Han
D631,904 S	2/2011	Kim et al.
D633,125 S	2/2011	Han

OTHER PUBLICATIONS

U.S. Appl. No. 29/404,256, Applicant: Seok-Won Hong, et al., filed Oct. 18, 2011 entitled Projector.

* cited by examiner

Primary Examiner — Wan Laymon

(74) *Attorney, Agent, or Firm* — Flynn, Thiel, Boutell & Tanis, P.C.

(57) **CLAIM**

The ornamental design for a projector, as shown and described.

DESCRIPTION

FIG. 1 is a top front perspective view of a projector showing our new design;

FIG. 2 is a front elevational view thereof;

FIG. 3 is a rear elevational view thereof;

FIG. 4 is a left side elevational view thereof;

FIG. 5 is a right side elevational view thereof;

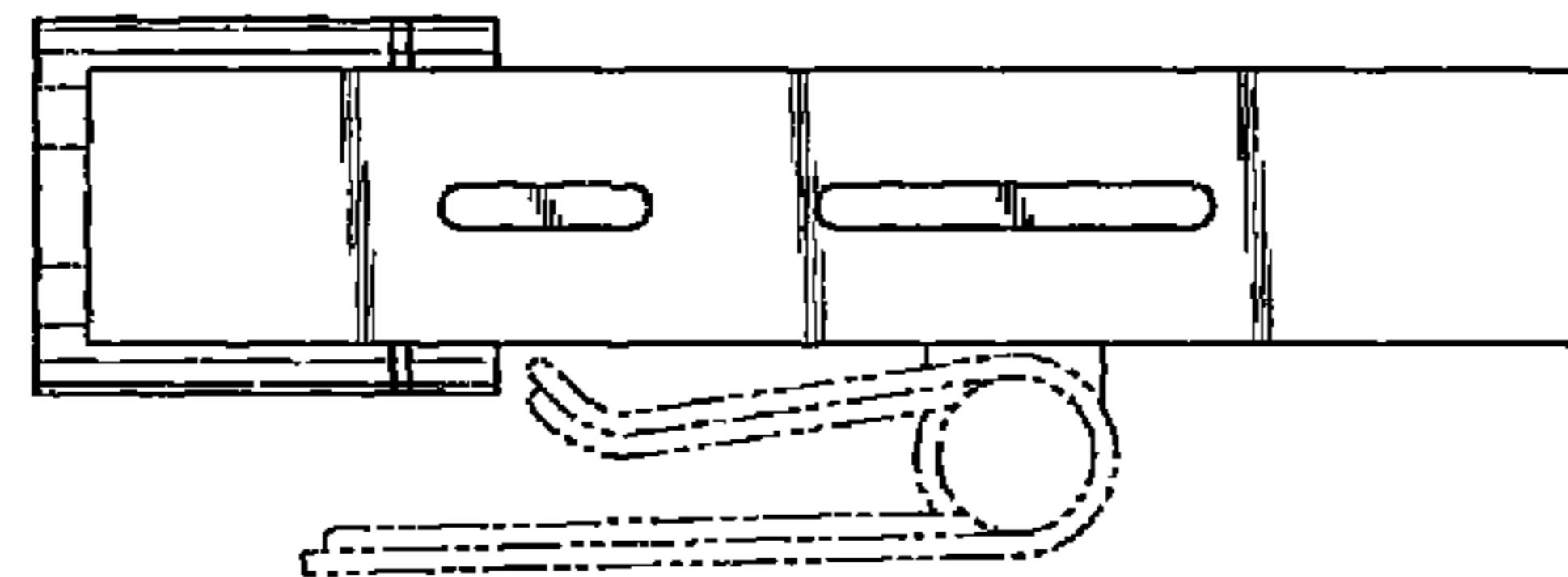
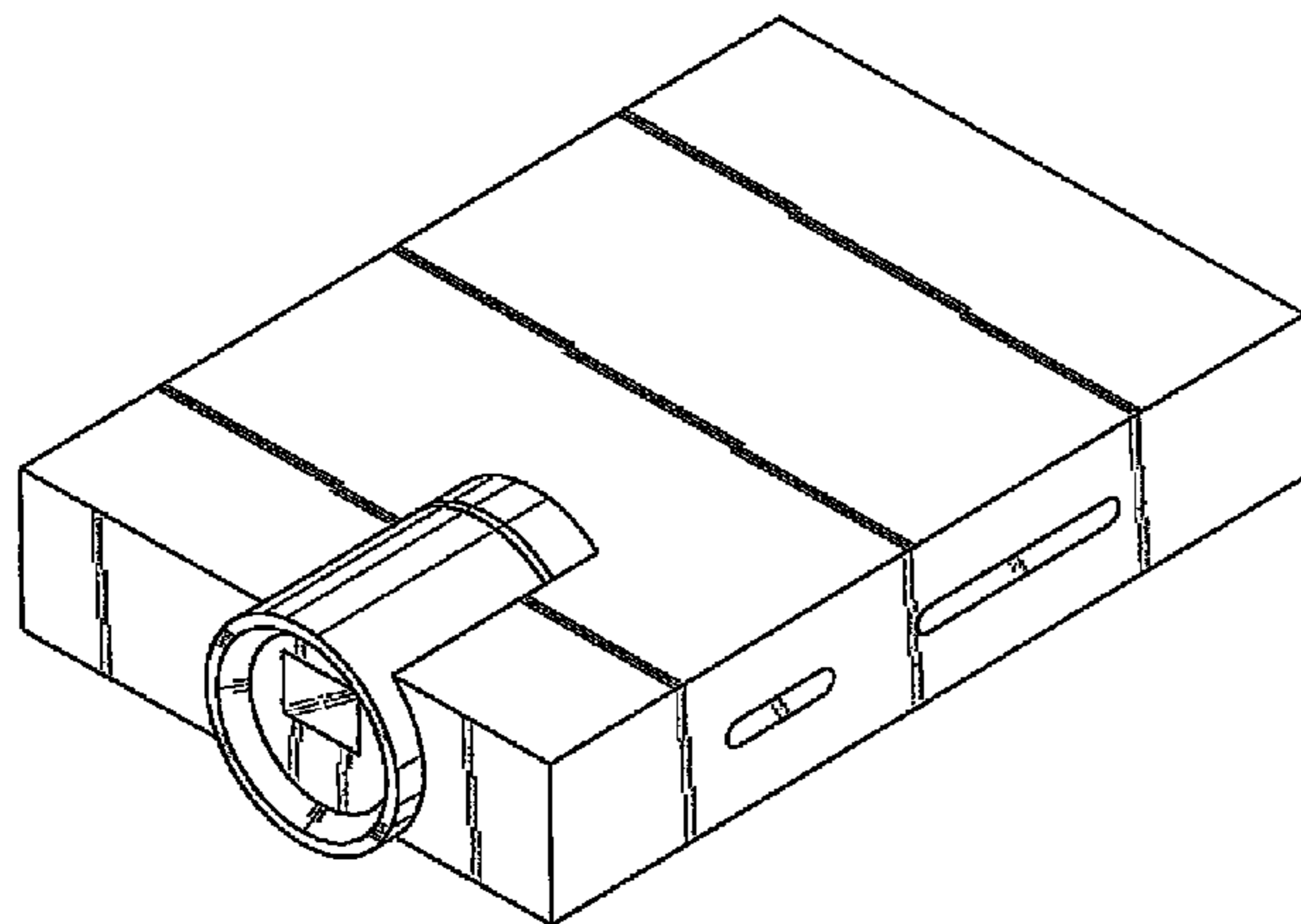
FIG. 6 is a top plan view thereof;

FIG. 7 is a bottom plan view thereof; and,

FIG. 8 is a right side view thereof when a supporter is combined with the present projector.

The broken lines showing in FIGS. 4 and 7 represent an unclaimed portion of the projector and the dashed-dot-dot lines showing in FIG. 8 is included for the purpose of illustrating environment. None of the broken lines form part of the claimed design.

1 Claim, 4 Drawing Sheets



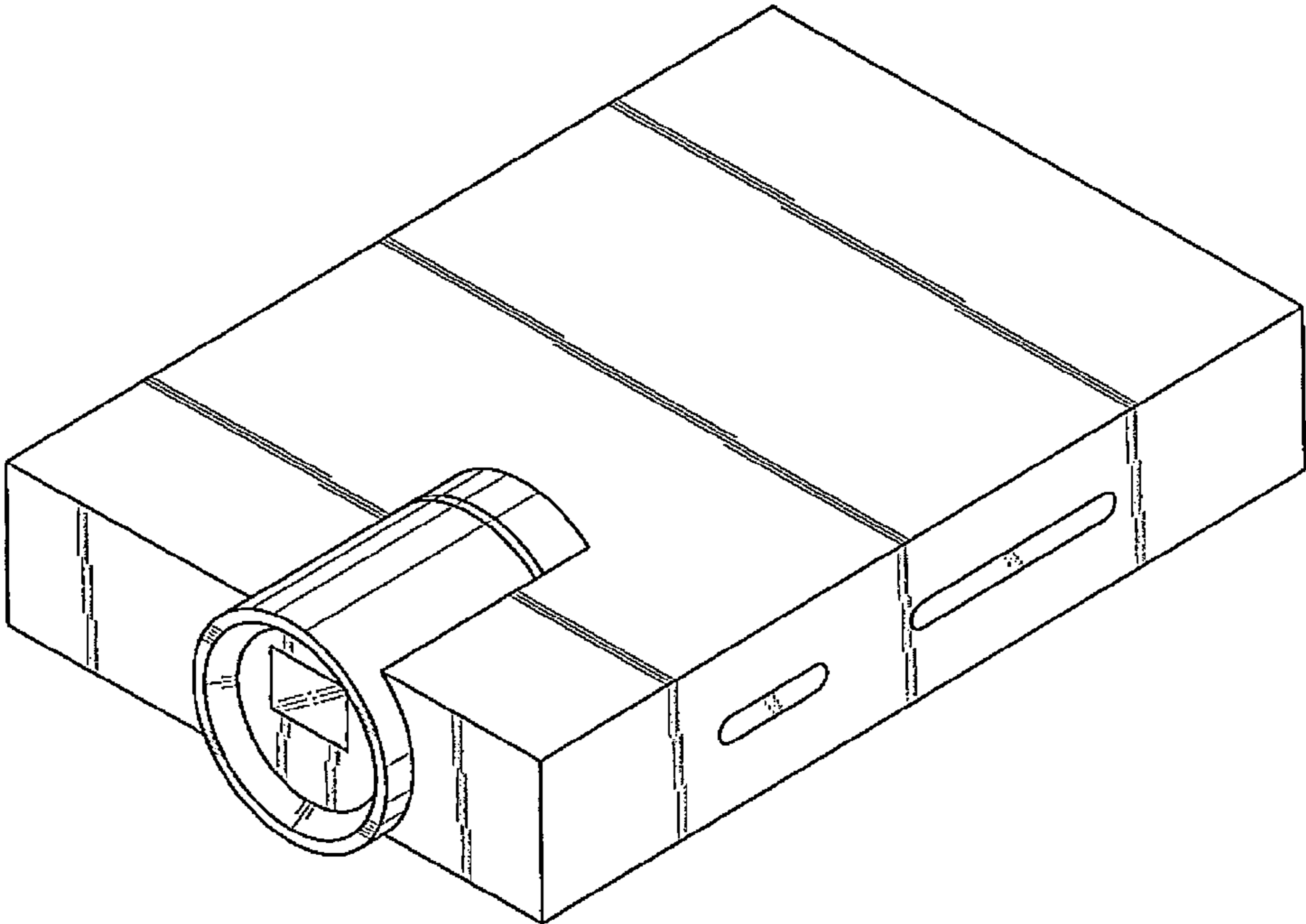


FIG. 1

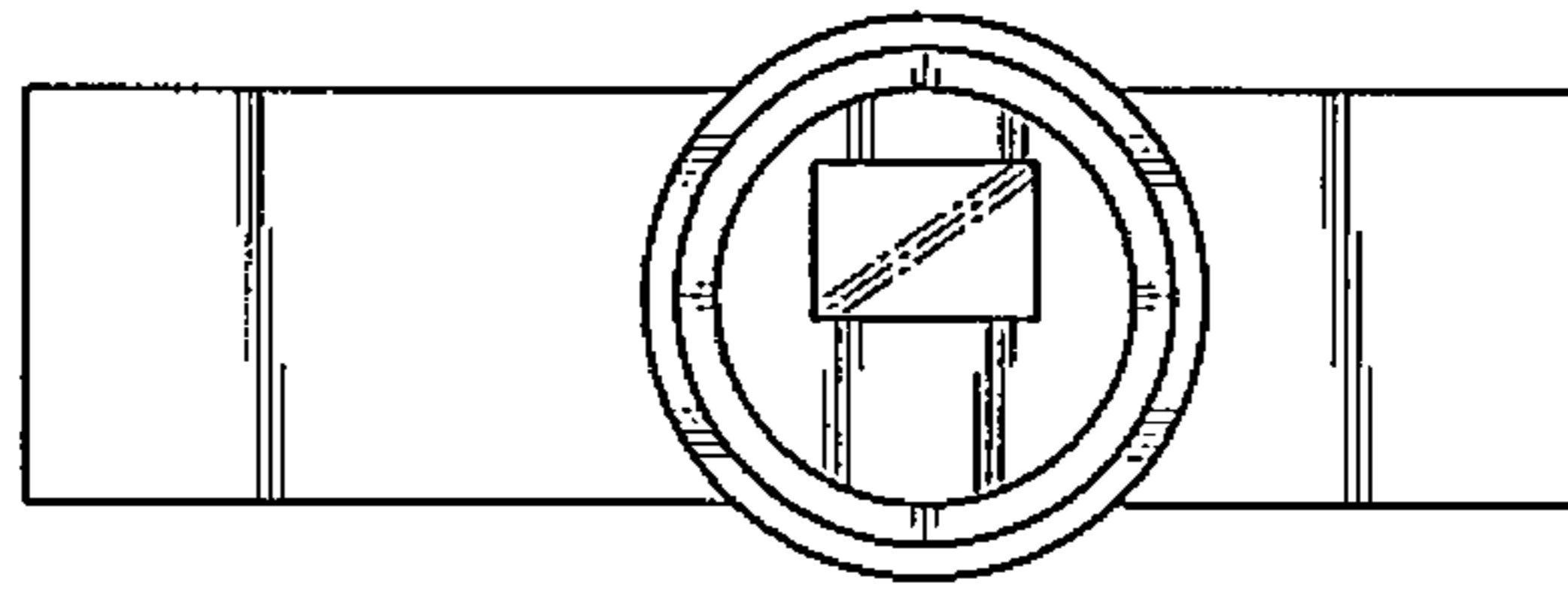


FIG. 2

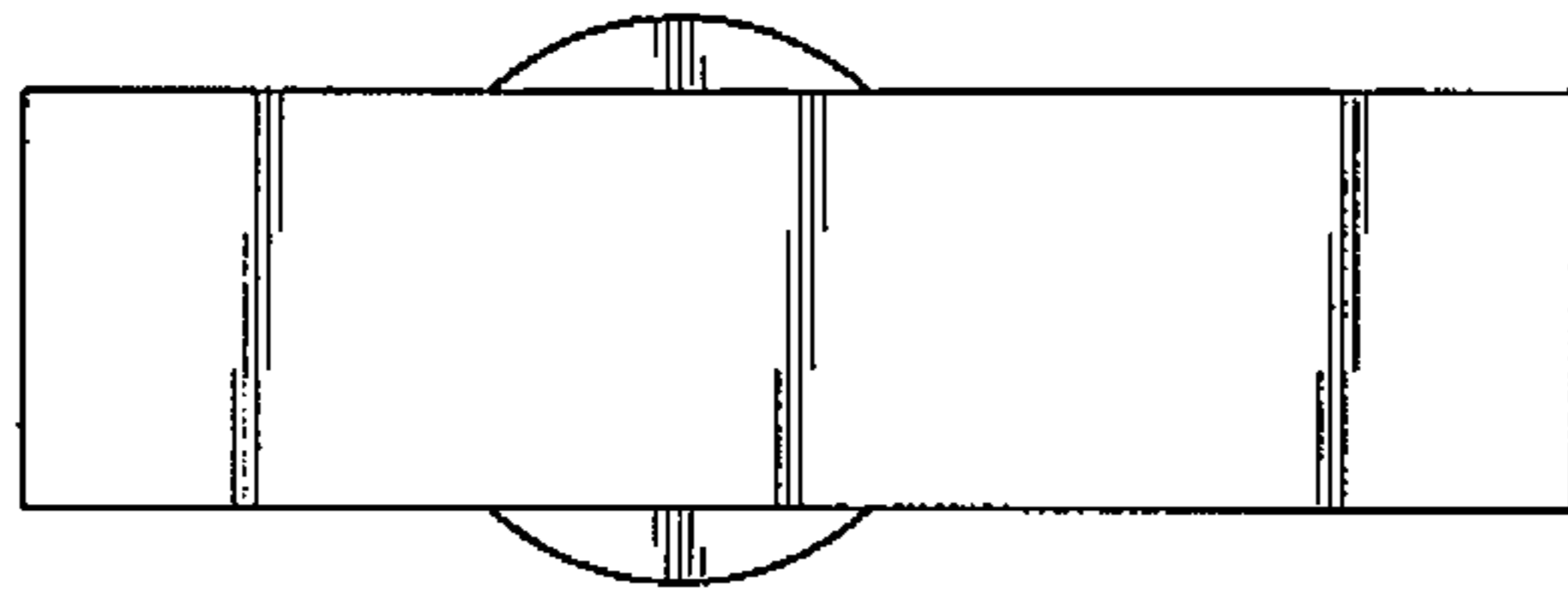


FIG. 3

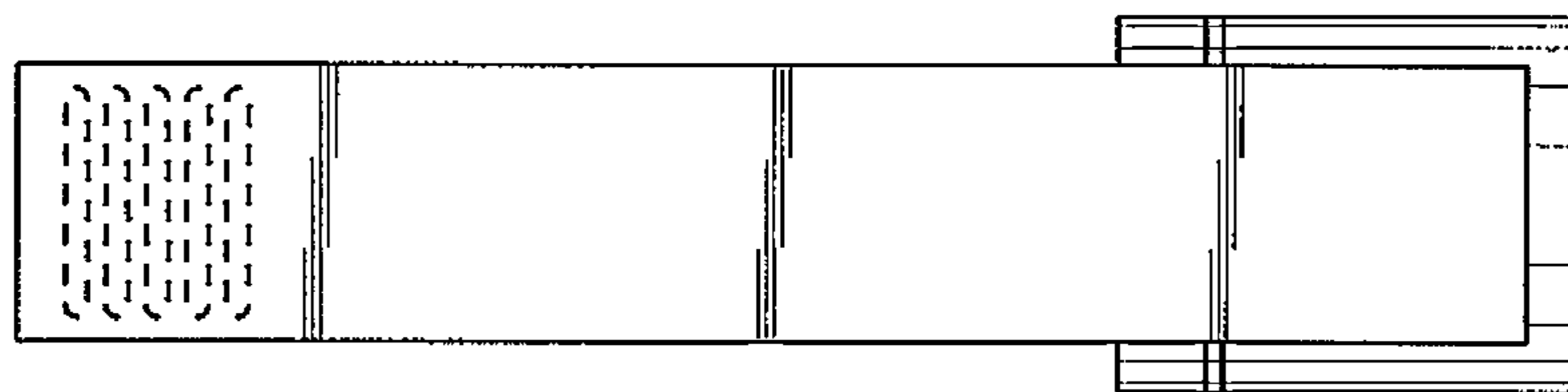


FIG. 4

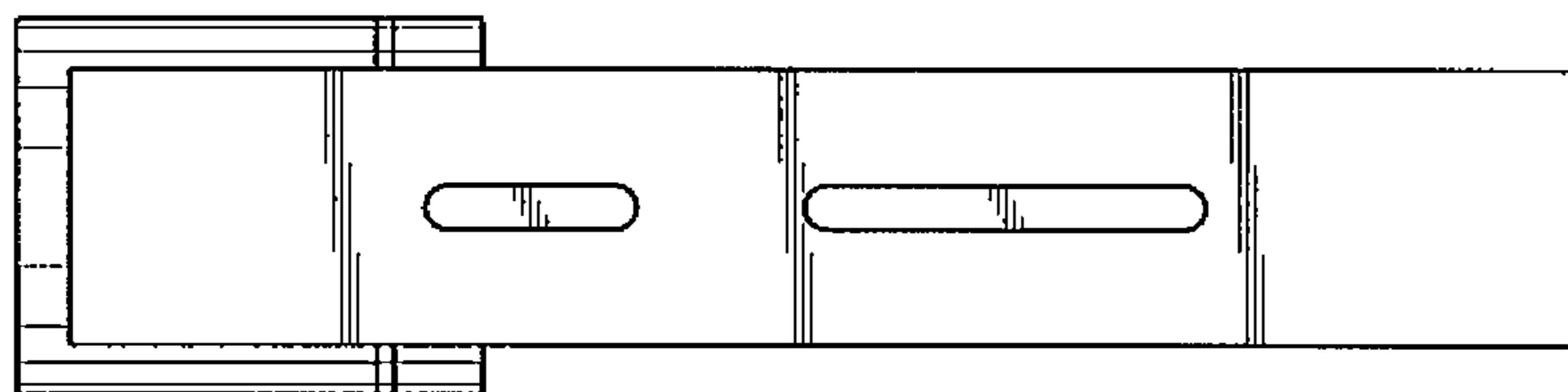


FIG. 5

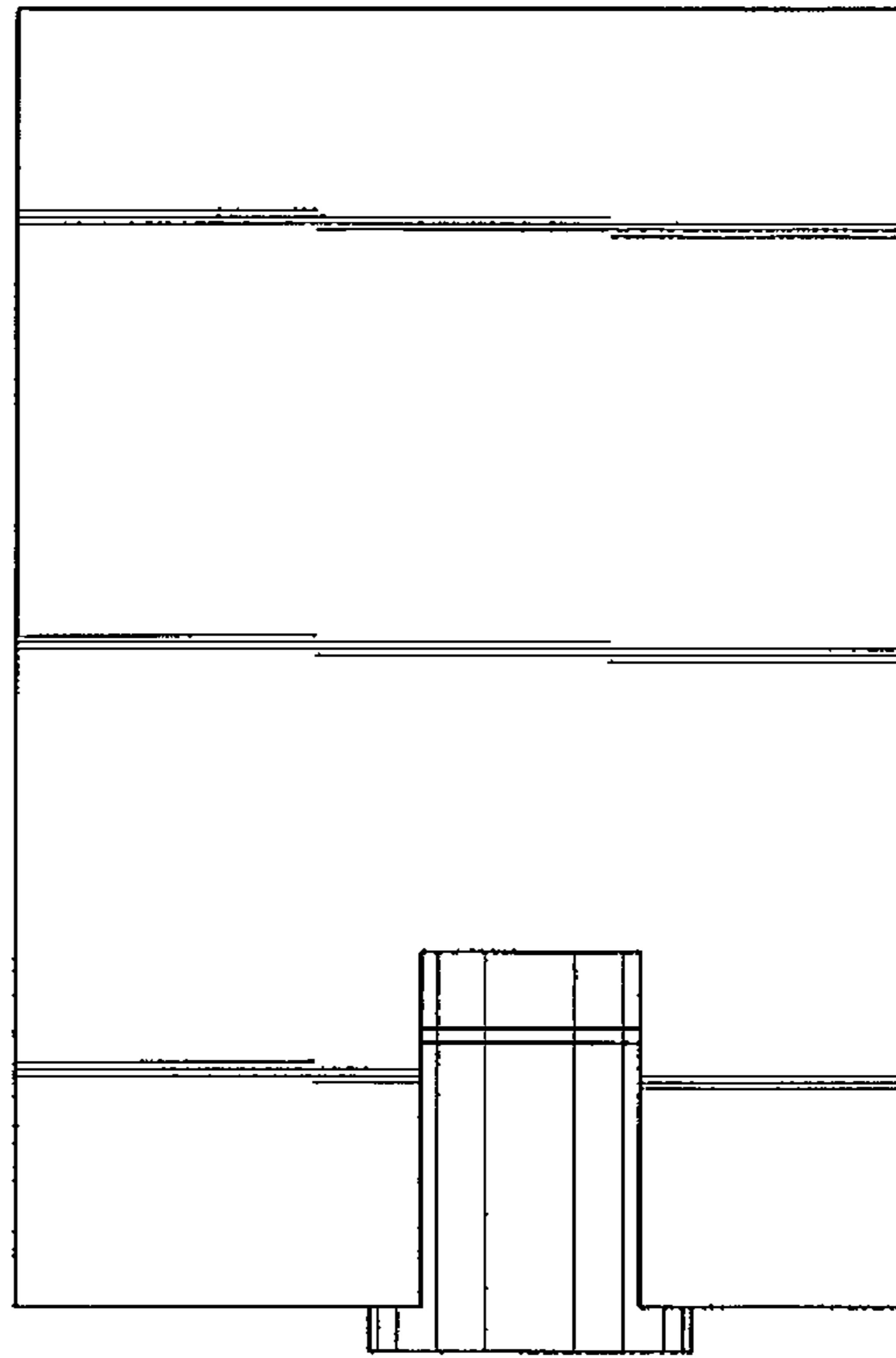


FIG. 6

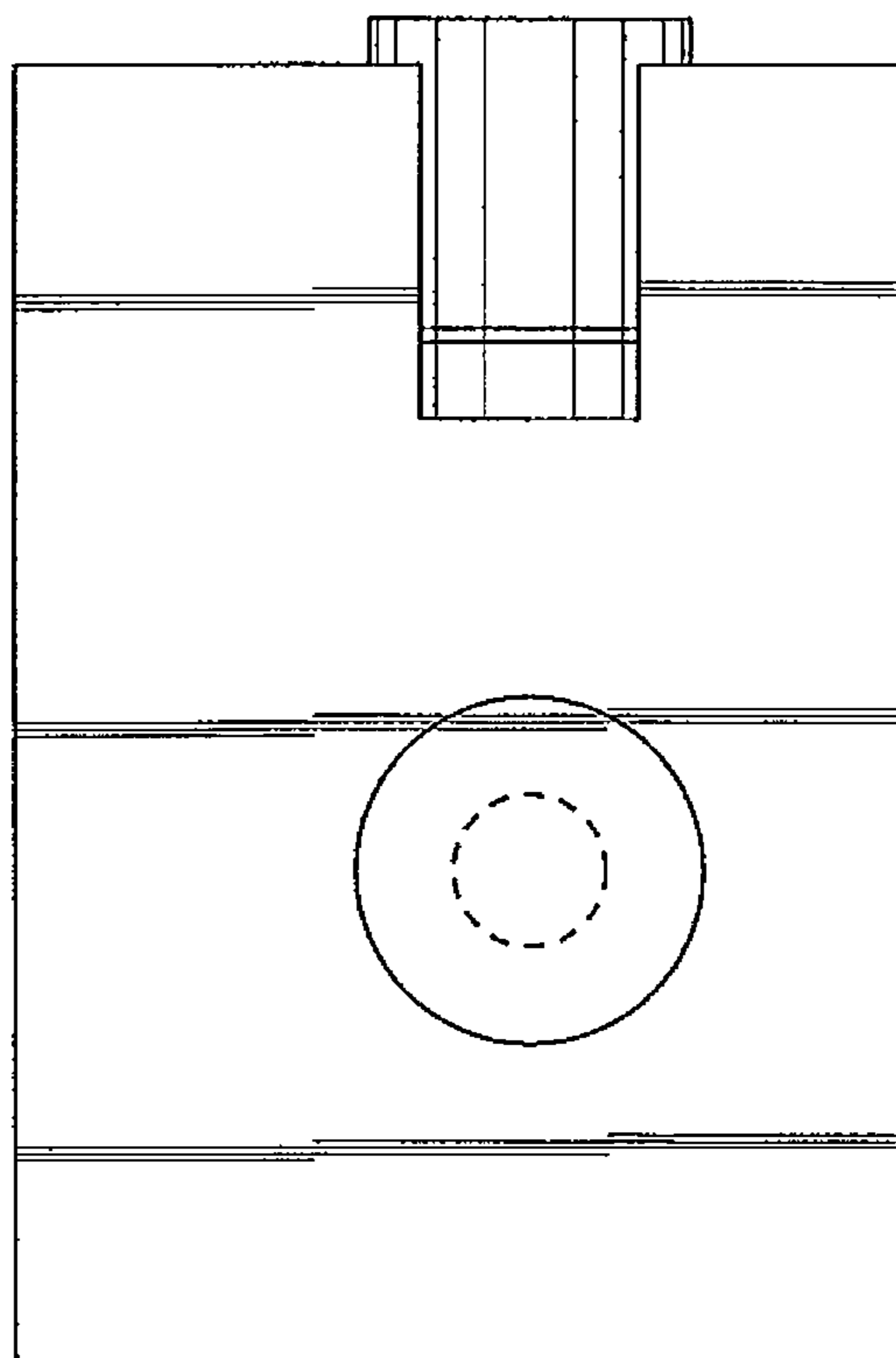


FIG. 7

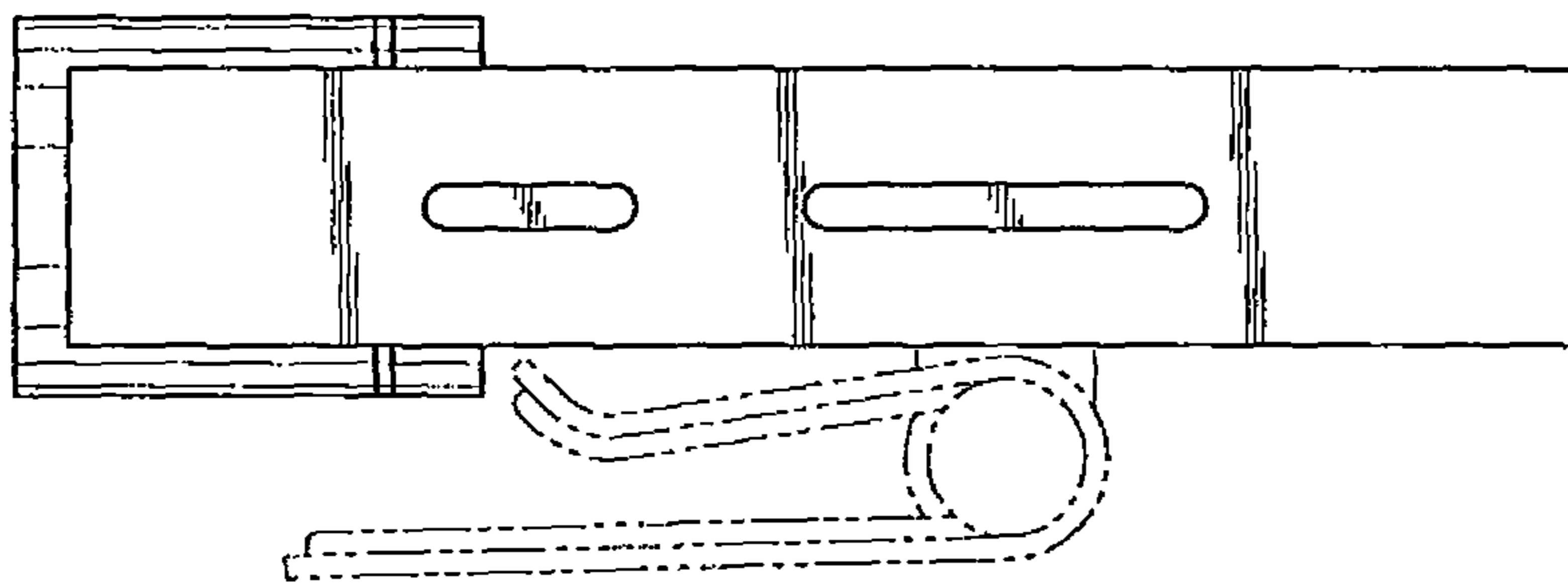


FIG. 8