

US00D695811S

(12) **United States Design Patent**
Nohara

(10) **Patent No.:** **US D695,811 S**

(45) **Date of Patent:** **** Dec. 17, 2013**

(54) **DIGITAL CAMERA**

(71) Applicant: **Olympus Imaging Corporation**, Tokyo (JP)

(72) Inventor: **Takeshi Nohara**, Tokyo (JP)

(73) Assignee: **Olympus Imaging Corp.**, Tokyo (JP)

(**) Term: **14 Years**

(21) Appl. No.: **29/433,505**

(22) Filed: **Oct. 1, 2012**

(30) **Foreign Application Priority Data**

Aug. 9, 2012 (JP) 2012-019272

(51) **LOC (9) Cl.** **16-05**

(52) **U.S. Cl.**
USPC **D16/219**

(58) **Field of Classification Search**
USPC D16/202, 204, 208, 218; 348/373-376;
358/909.1; 396/535, 540, 541
See application file for complete search history.

(56) **References Cited**

U.S. PATENT DOCUMENTS

D524,348 S * 7/2006 Nagayama et al. D16/219
D556,230 S * 11/2007 Hanafusa et al. D16/202

D557,311 S * 12/2007 Hanafusa et al. D16/219
D582,461 S * 12/2008 Hayashi D16/219
D597,576 S * 8/2009 Kim et al. D16/202
7,646,426 B2 * 1/2010 Saiki et al. 348/373
D628,220 S * 11/2010 Lee D16/202
D629,437 S * 12/2010 Takagi D16/219
D641,033 S * 7/2011 Nohara D16/202
D669,517 S * 10/2012 Nakamura D16/202

* cited by examiner

Primary Examiner — Adir Aronovich

(74) *Attorney, Agent, or Firm* — Holtz, Holtz, Goodman & Chick, PC

(57) **CLAIM**

The ornamental design for a digital camera, as shown and described.

DESCRIPTION

FIG. 1 is a front, top and right side perspective view of a digital camera showing my new design;
FIG. 2 is a front elevational view thereof;
FIG. 3 is a rear elevational view thereof;
FIG. 4 is a top plan view thereof;
FIG. 5 is a bottom plan view thereof;
FIG. 6 is a right side elevational view thereof; and,
FIG. 7 is a left side elevational view thereof.

The broken lines shown in the drawings are for illustrative purposes only and form no part of the claimed design.

1 Claim, 5 Drawing Sheets

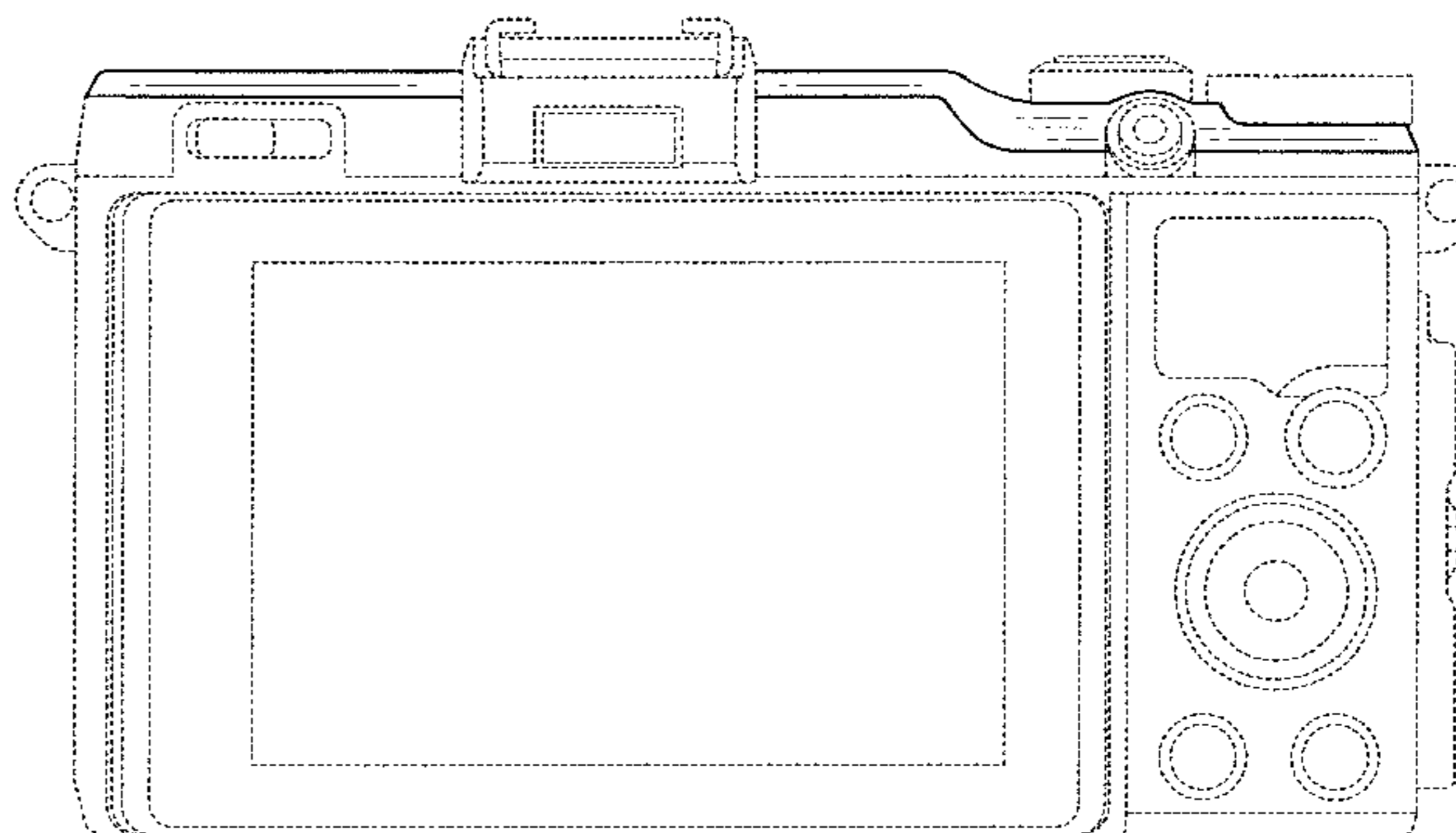
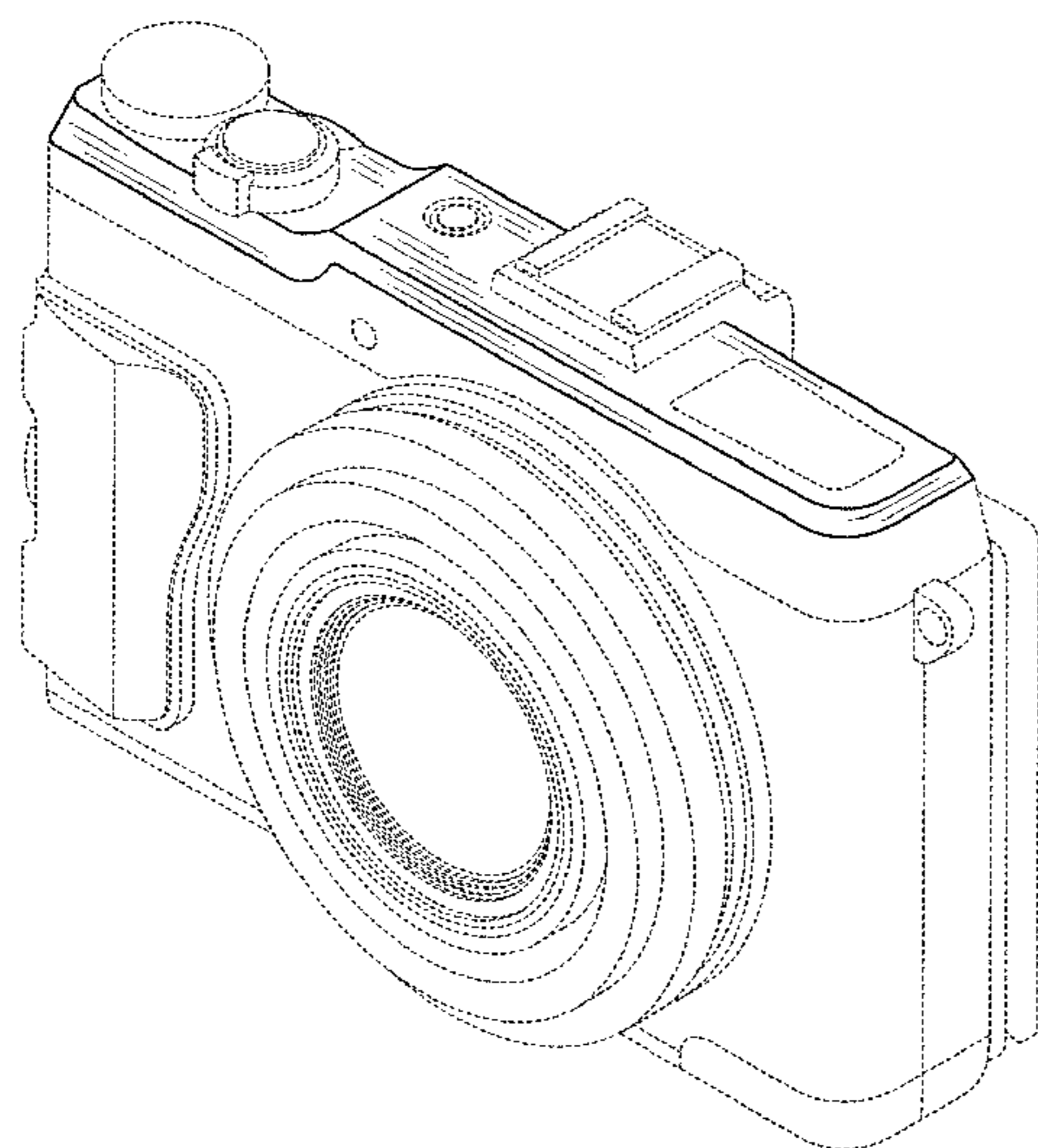


FIG. 1

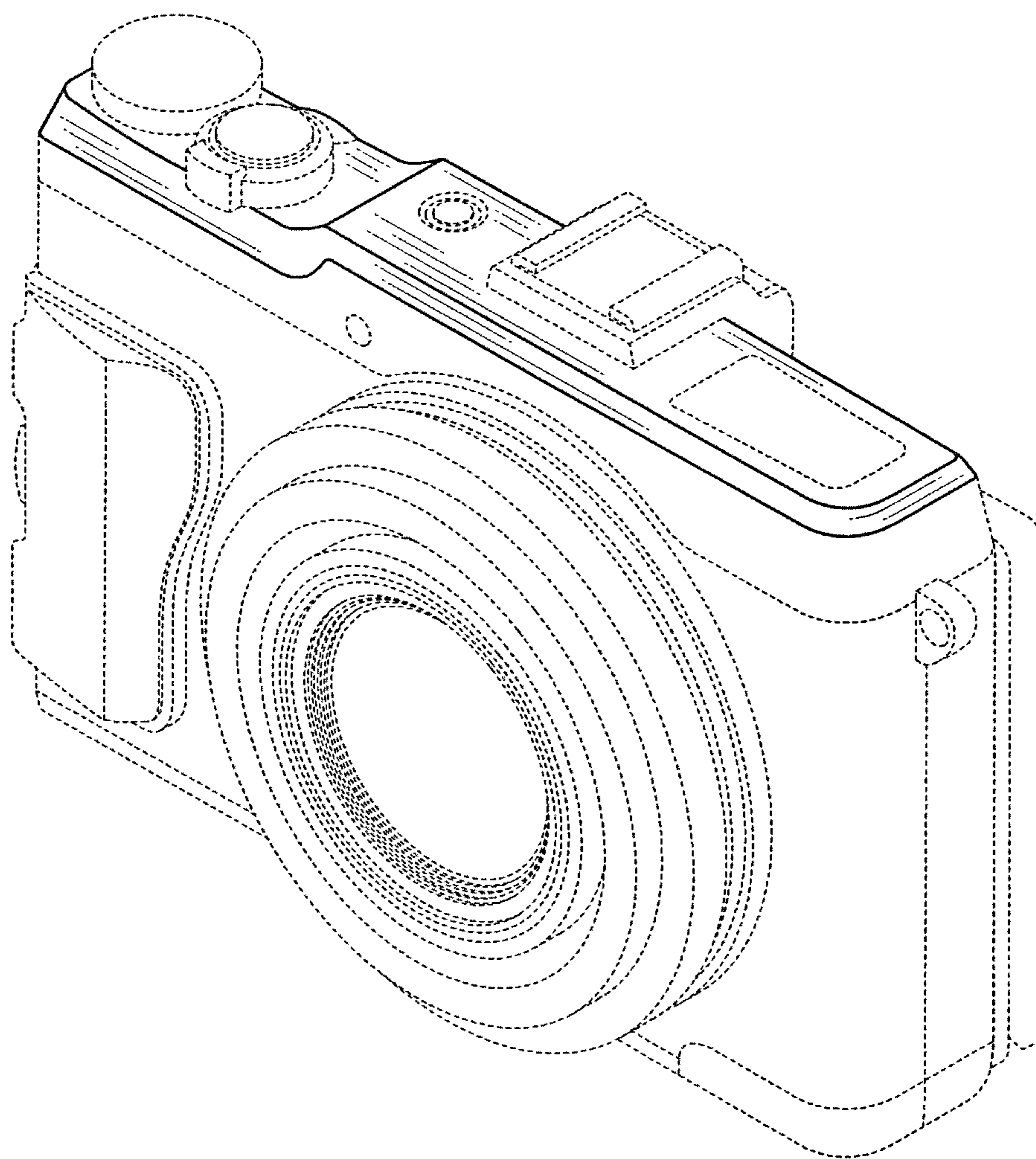


FIG.2

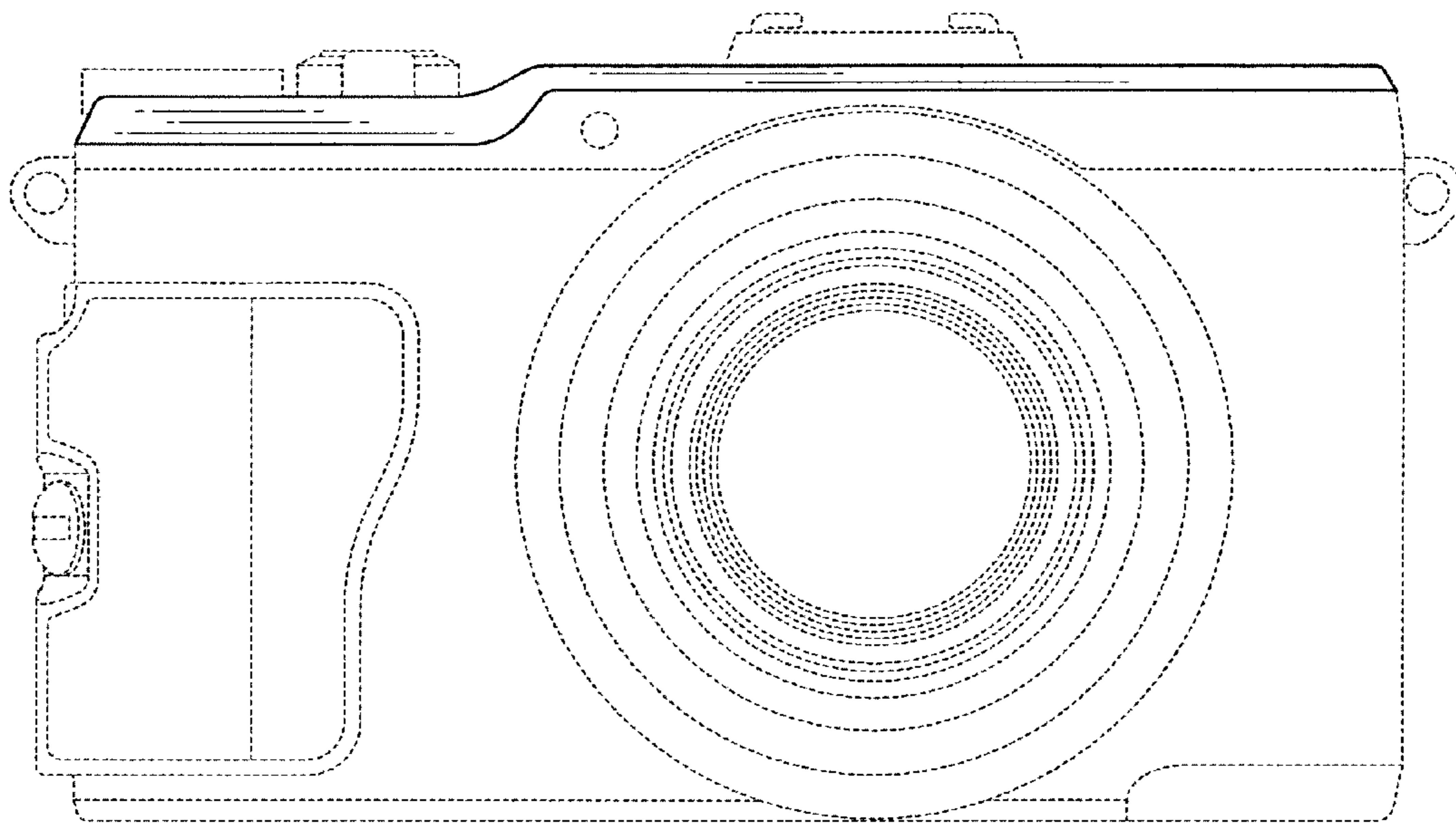


FIG. 3

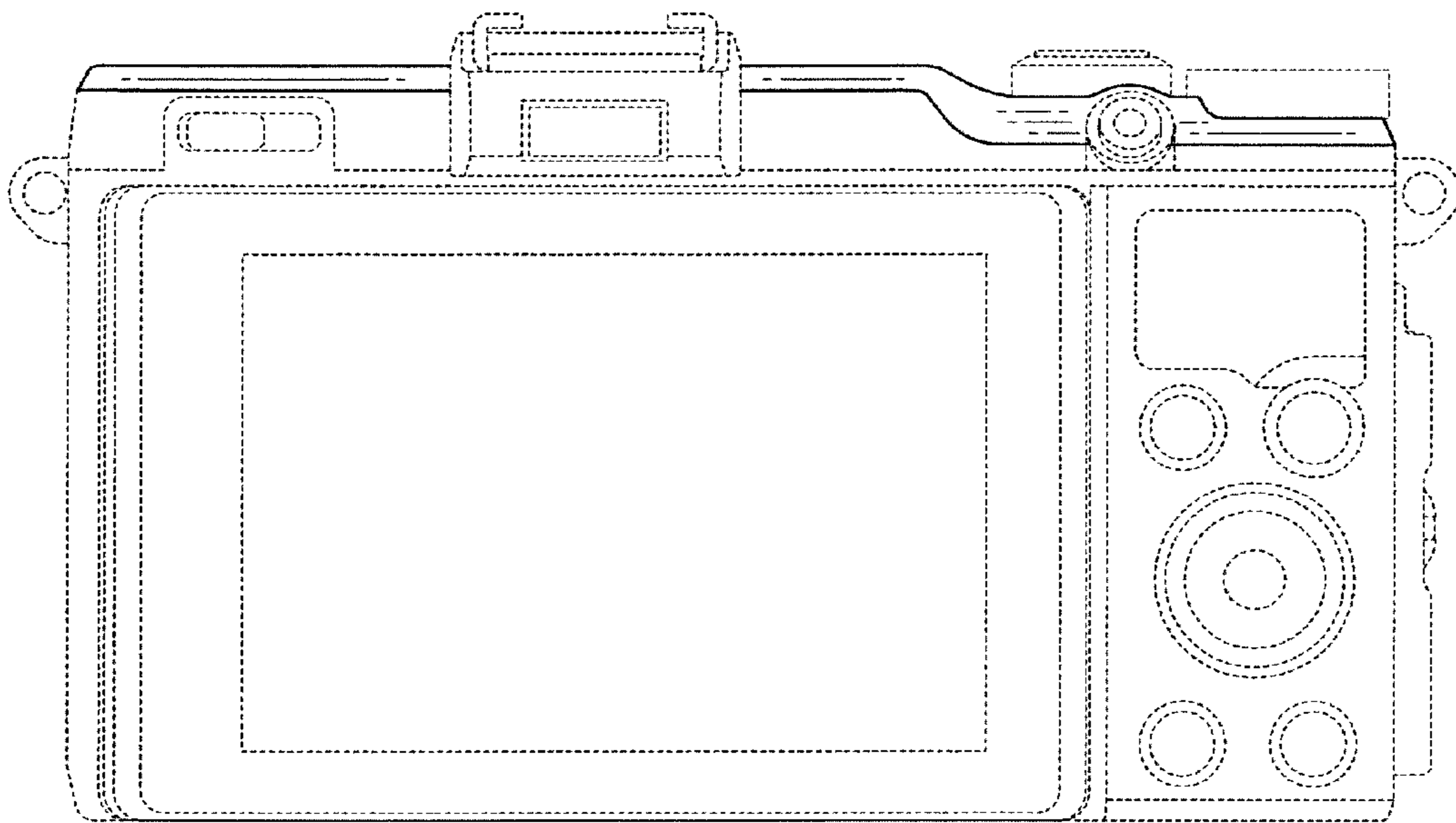


FIG.4

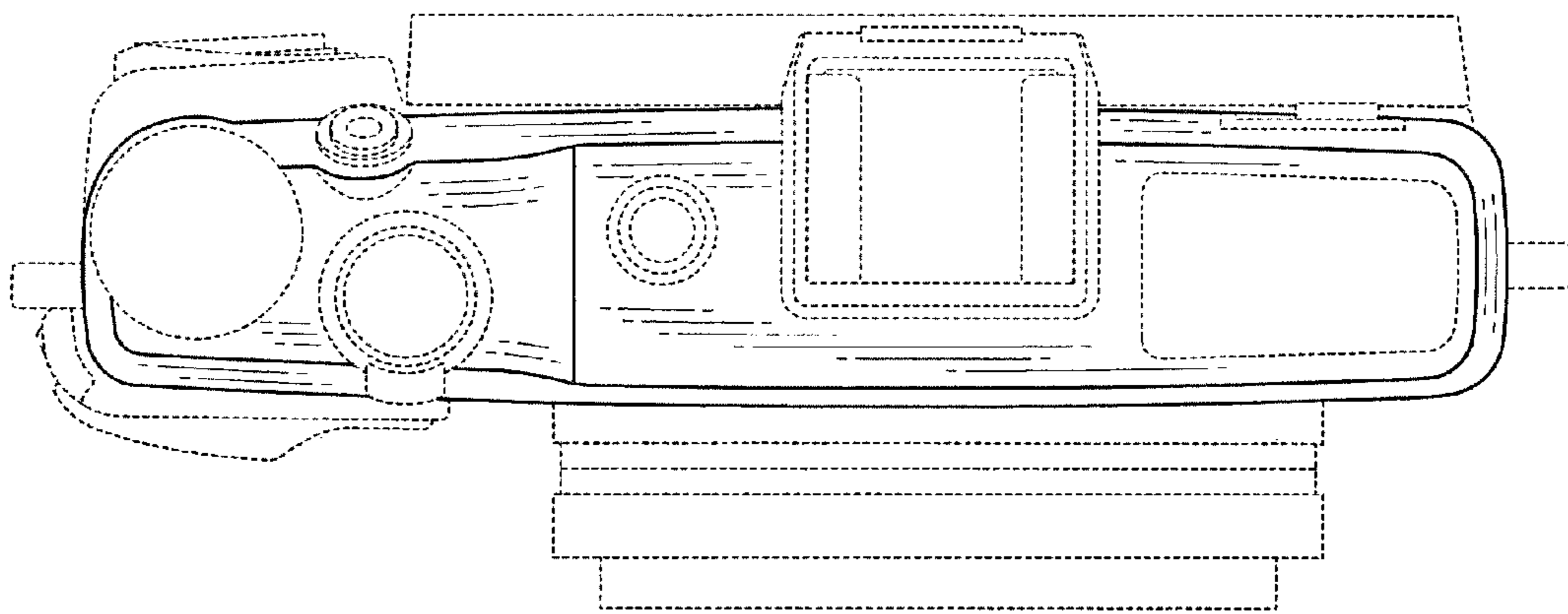


FIG.5

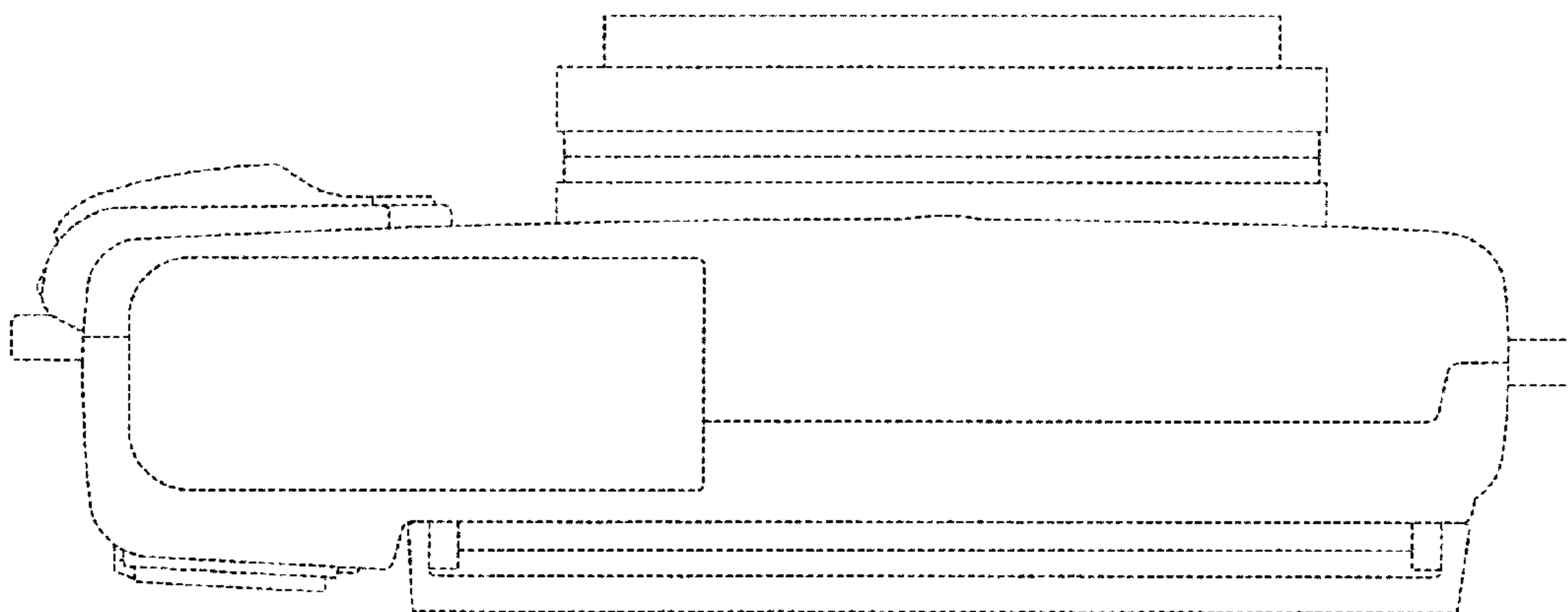


FIG.6

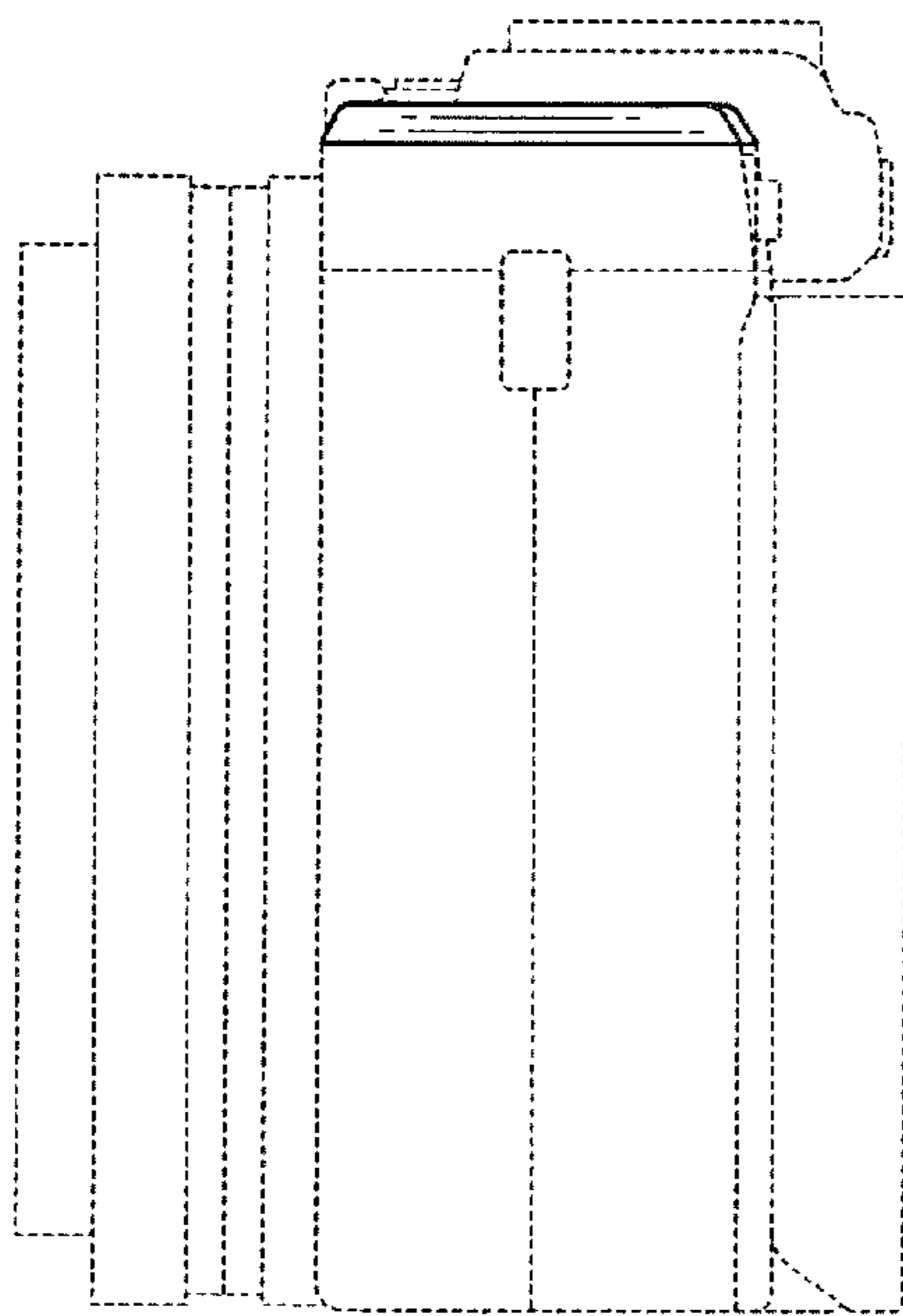


FIG.7

