



US00D695809S

(12) **United States Design Patent**
Katori et al.

(10) **Patent No.:** **US D695,809 S**

(45) **Date of Patent:** **** Dec. 17, 2013**

(54) **CAMERA**

(75) Inventors: **Takehito Katori**, Fukuoka (JP); **Yasuki Yamakawa**, Fukuoka (JP)

(73) Assignee: **Panasonic Corporation**, Osaka (JP)

(**) Term: **14 Years**

(21) Appl. No.: **29/430,573**

(22) Filed: **Aug. 28, 2012**

(30) **Foreign Application Priority Data**

Jun. 1, 2012 (JP) 2012-013035

(51) **LOC (9) Cl.** **16-01**

(52) **U.S. Cl.**
USPC **D16/203**

(58) **Field of Classification Search**
USPC D16/200, 202, 203, 208, 218; 348/143,
348/373-374; 396/427, 535, 540, 541
See application file for complete search history.

(56) **References Cited**

U.S. PATENT DOCUMENTS

D517,585 S * 3/2006 Iino et al. D16/203
D518,080 S * 3/2006 Uehara D16/203
D545,860 S * 7/2007 Miyazaki D16/202
D552,650 S * 10/2007 Yamakawa et al. D16/203

D562,870 S * 2/2008 Komatsu et al. D16/203
D574,870 S * 8/2008 Takahashi D16/203
D676,477 S * 2/2013 Chen et al. D16/202
2009/0052884 A1 * 2/2009 Lee 396/427

FOREIGN PATENT DOCUMENTS

ES 001250021-0001 12/2010

* cited by examiner

Primary Examiner — Adir Aronovich

(74) *Attorney, Agent, or Firm* — Panasonic Patent Center

(57) **CLAIM**

We claim the ornamental design for a camera, as shown and described.

DESCRIPTION

FIG. 1 is a front, top and right side perspective view of a camera of the present invention;
FIG. 2 is a rear, top and left side perspective view thereof;
FIG. 3 is a front elevational view thereof;
FIG. 4 is a left side elevational view thereof;
FIG. 5 is a right side elevational view thereof;
FIG. 6 is a top plan view thereof;
FIG. 7 is a rear elevational view thereof; and,
FIG. 8 is a bottom plan view thereof.

Additionally, the dash-dot broken lines throughout the drawings which define the bounds of the claimed design form no part thereof.

1 Claim, 8 Drawing Sheets

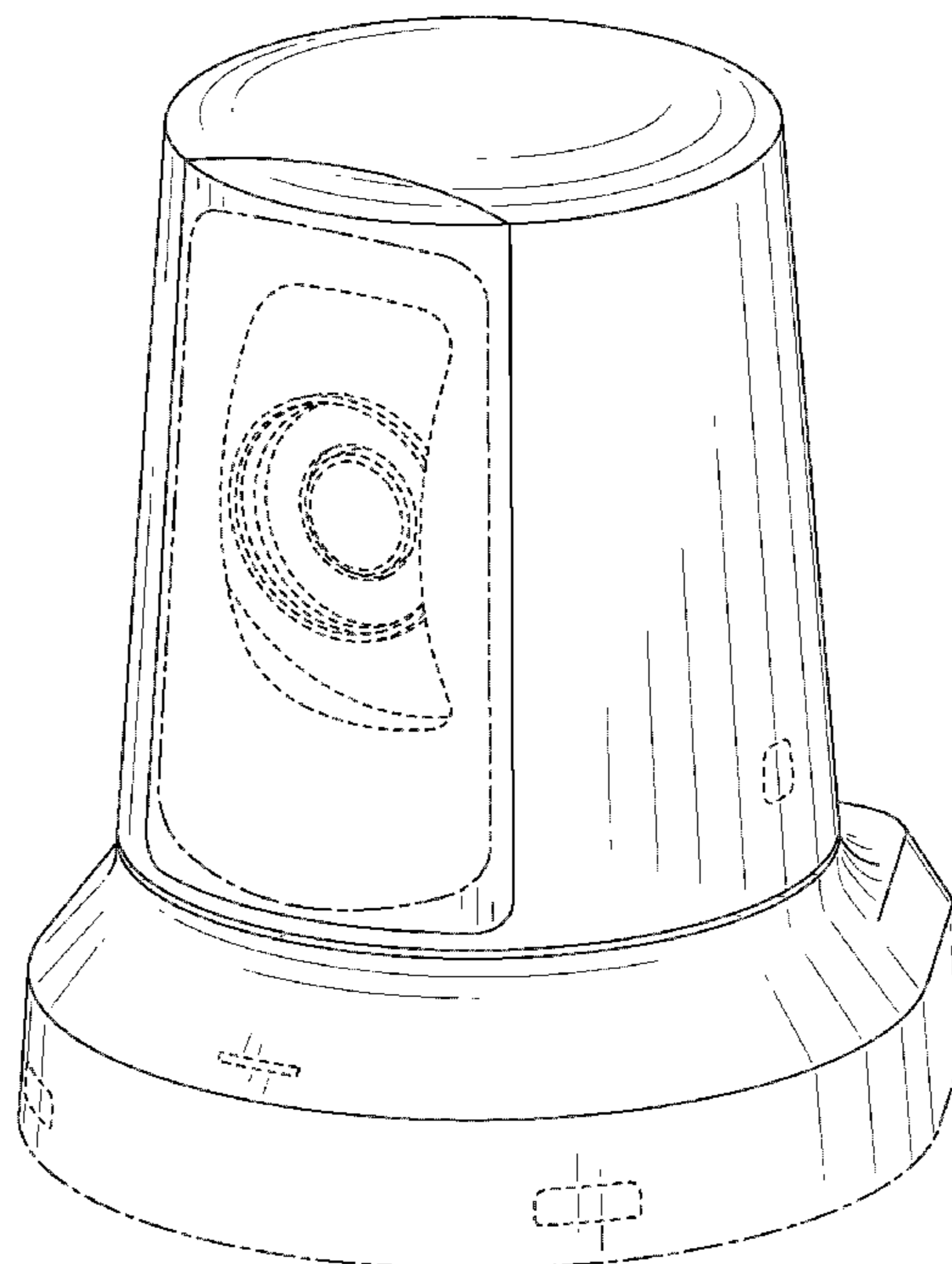


FIG. 1

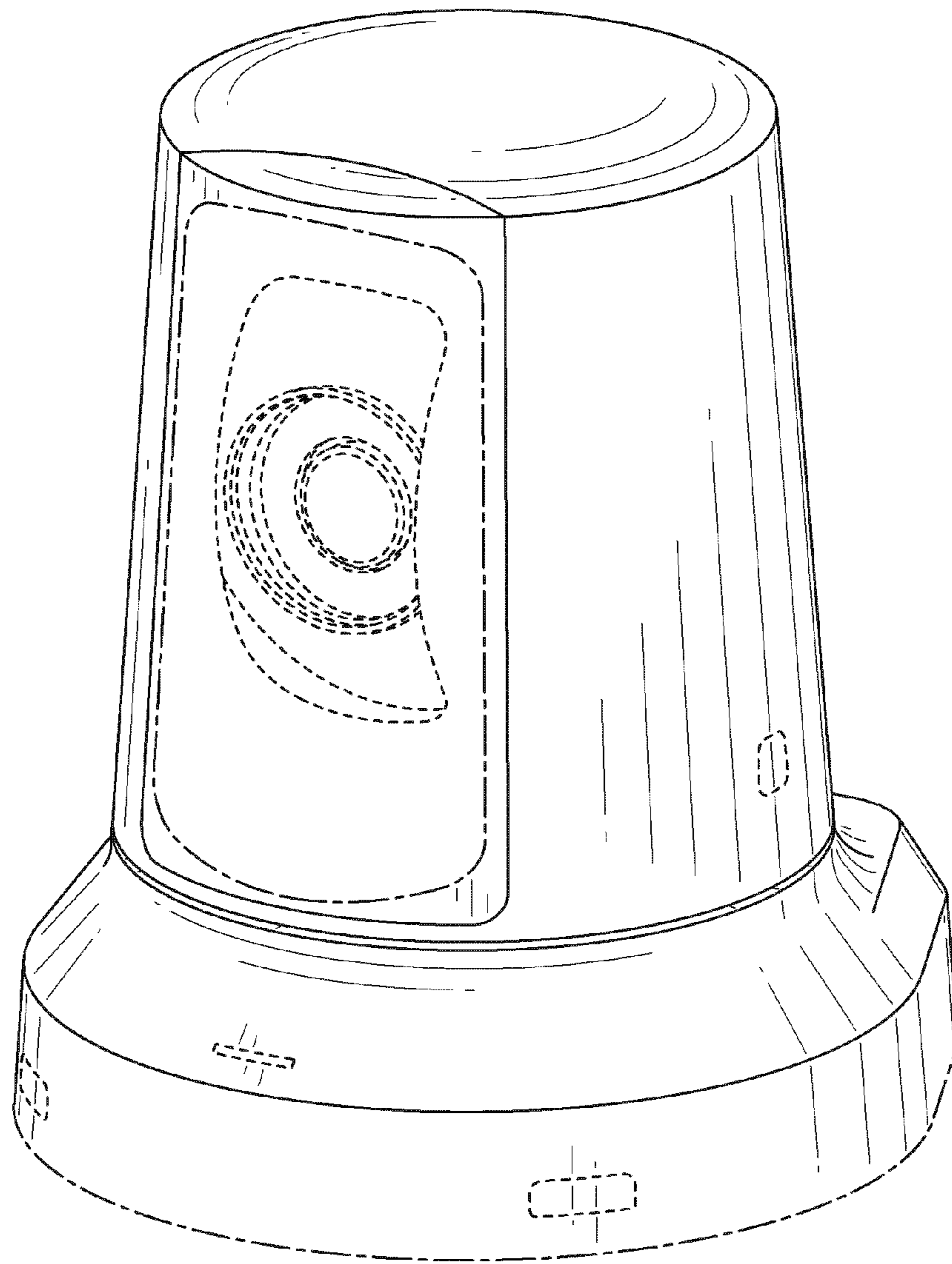


FIG. 2

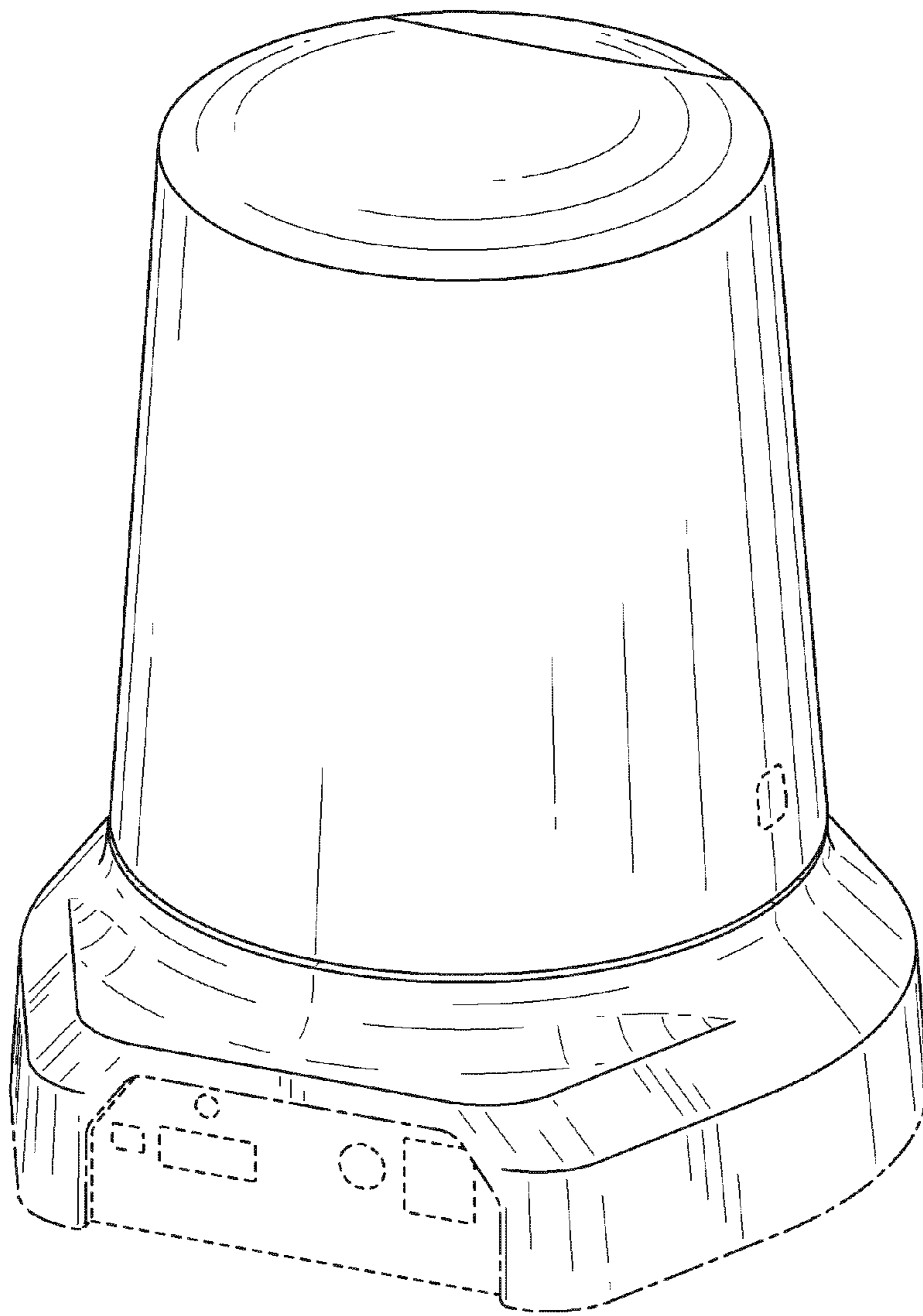


FIG. 3

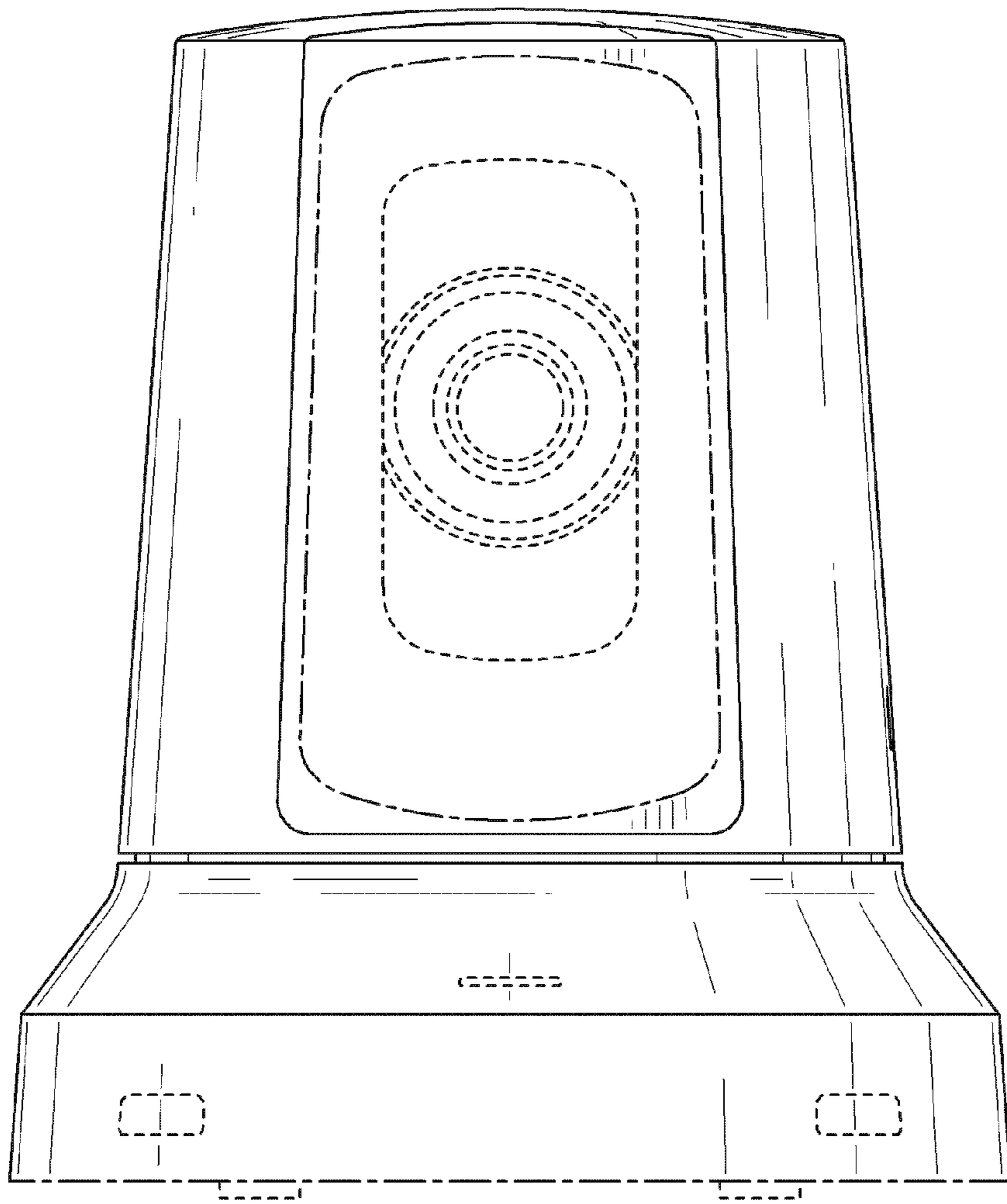


FIG. 4

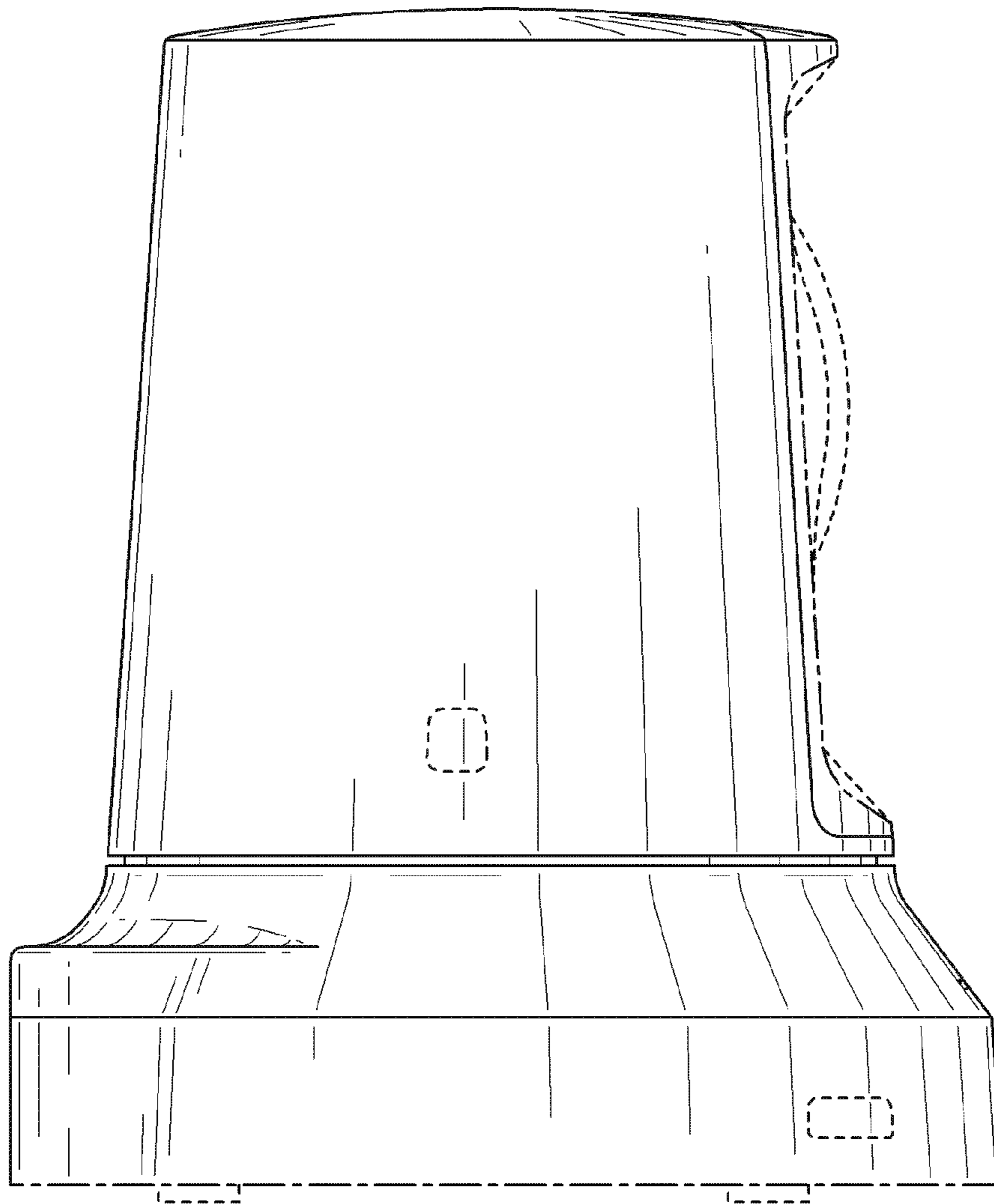


FIG. 5

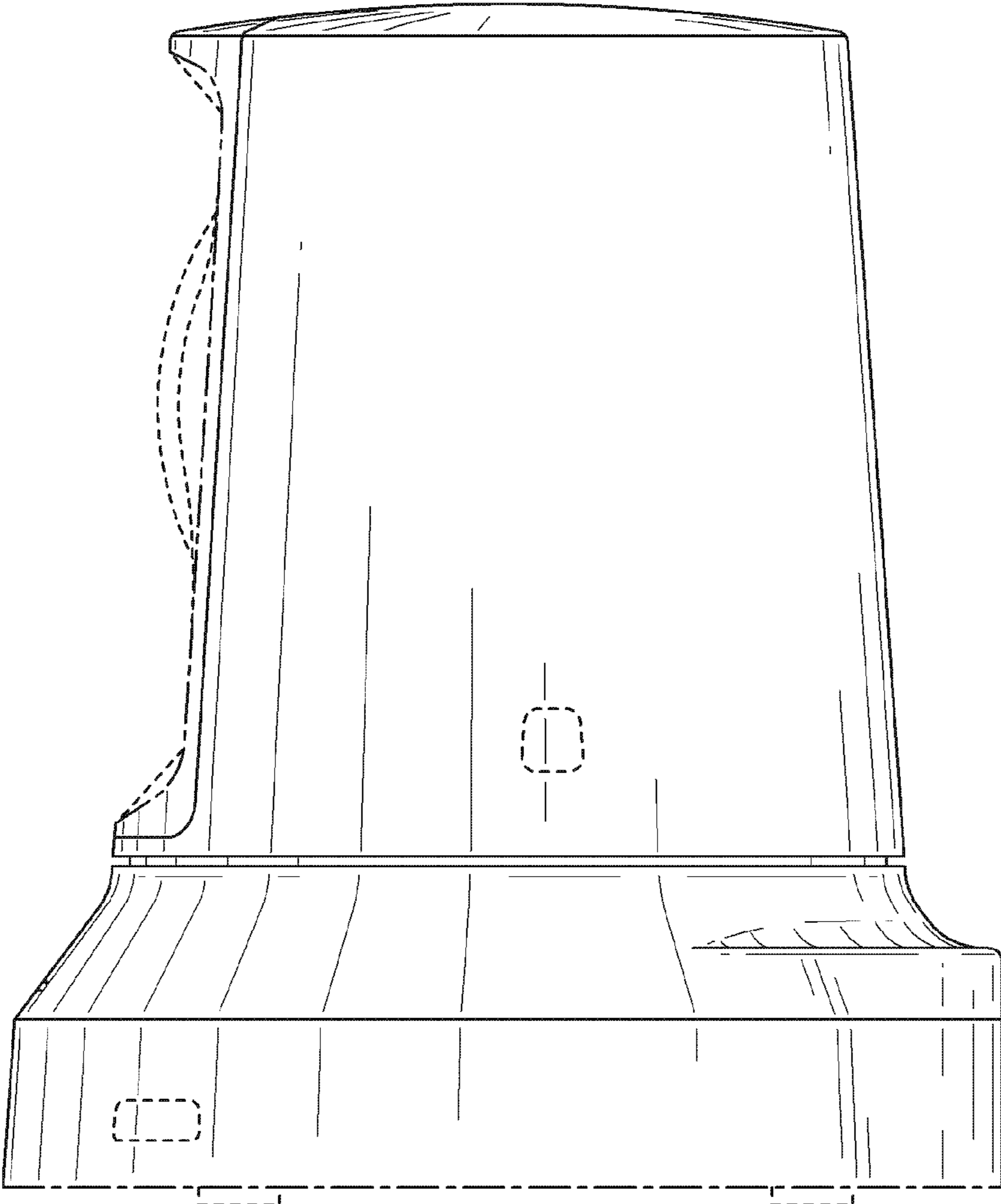


FIG. 6

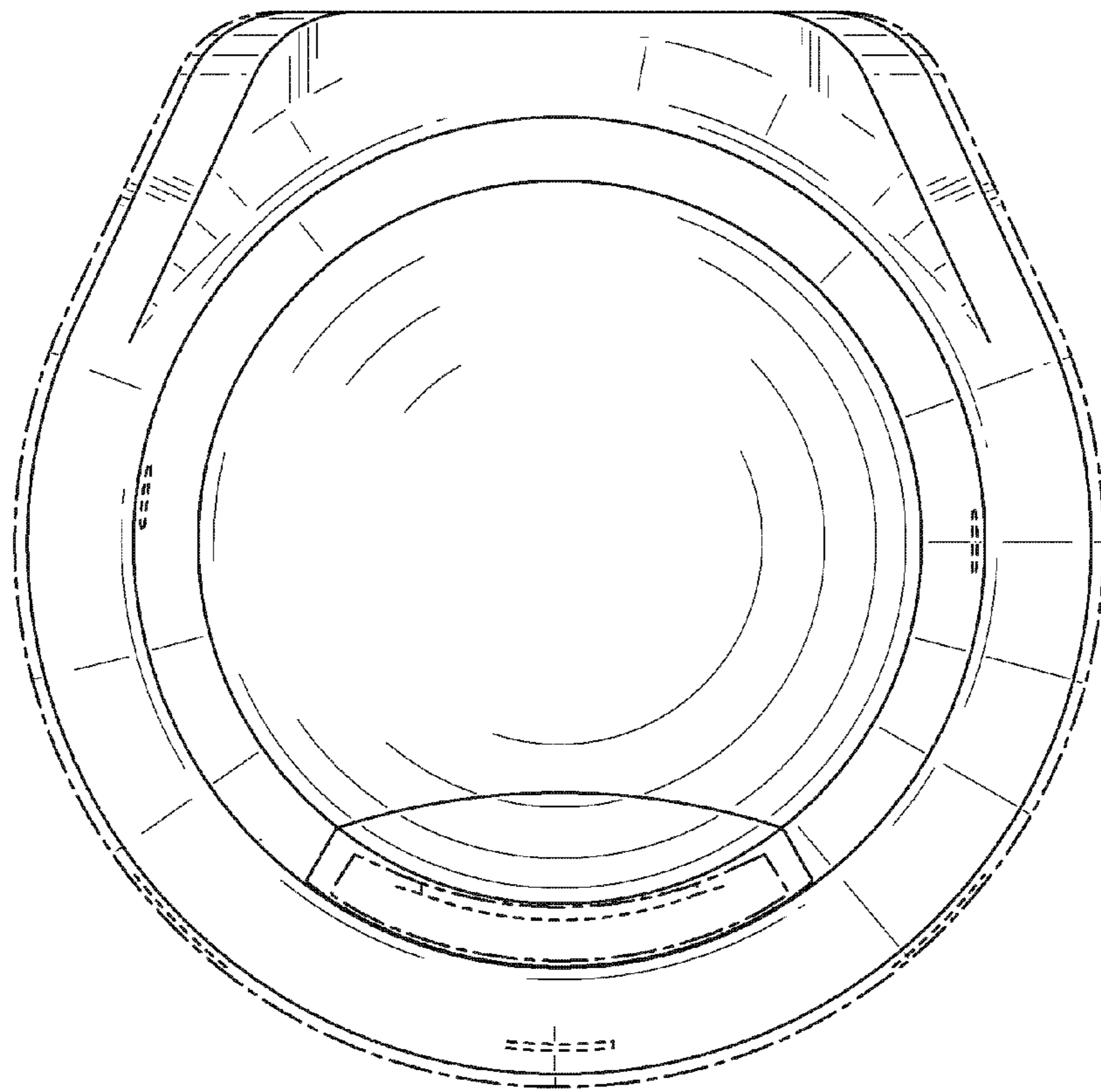


FIG. 7

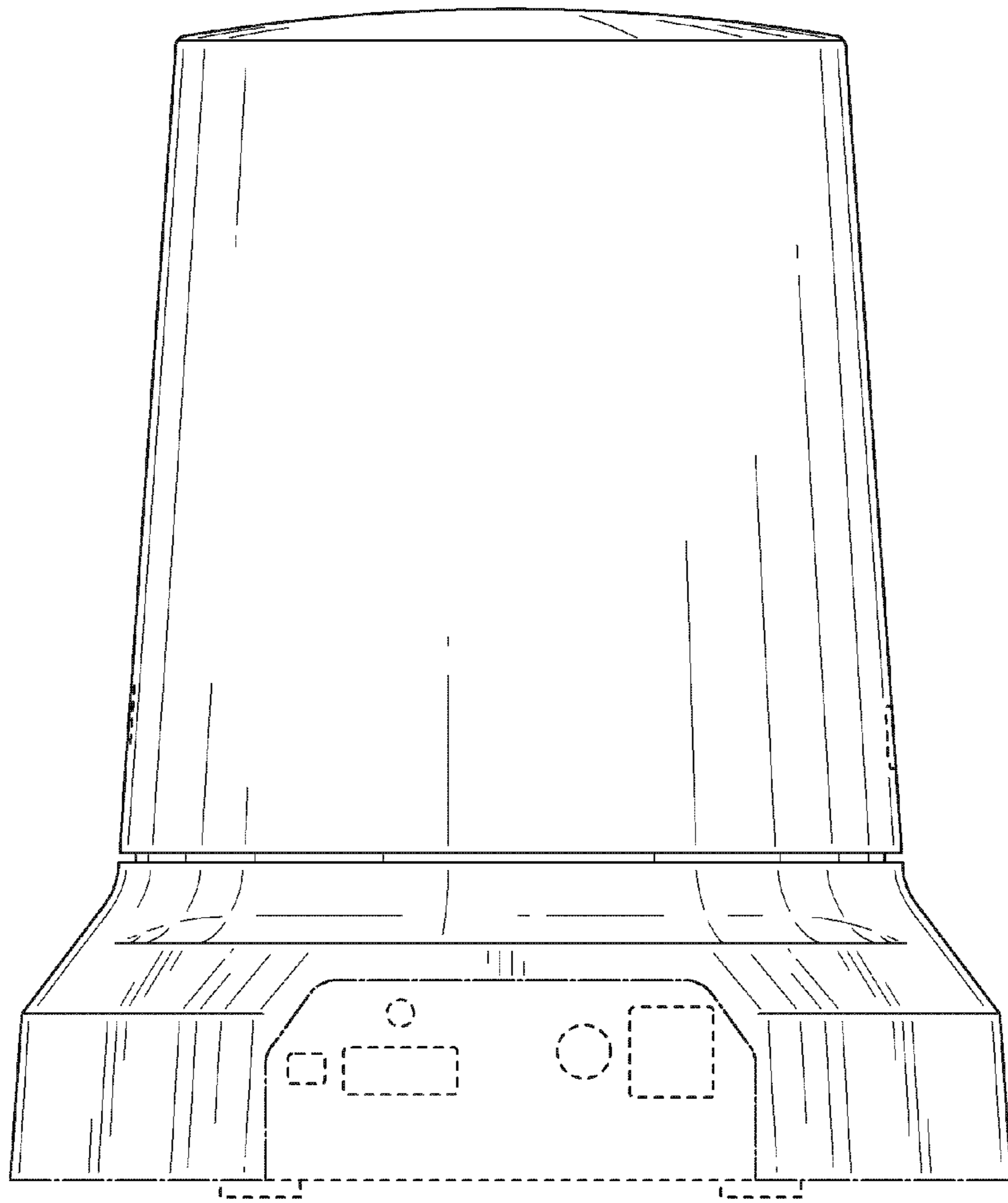


FIG. 8

