



US00D695807S

(12) **United States Design Patent**  
**Tainaka**

(10) **Patent No.:** **US D695,807 S**

(45) **Date of Patent:** **\*\* Dec. 17, 2013**

(54) **DIGITAL CAMERA BODY OF LENS REPLACING TYPE**

|           |    |   |        |                  |       |         |
|-----------|----|---|--------|------------------|-------|---------|
| D654,943  | S  | * | 2/2012 | Ogasawara et al. | ..... | D16/202 |
| D657,408  | S  | * | 4/2012 | Tainaka          | ..... | D16/202 |
| 8,233,082 | B2 | * | 7/2012 | Yamamoto         | ..... | 348/375 |
| D676,475  | S  | * | 2/2013 | Tainaka          | ..... | D16/200 |
| D681,710  | S  | * | 5/2013 | Sato             | ..... | D16/200 |

(71) Applicant: **Olympus Imaging Corp.**, Tokyo (JP)

(72) Inventor: **Daisuke Tainaka**, Hachioji (JP)

(73) Assignee: **Olympus Imaging Corp.**, Tokyo (JP)

(\*\*) Term: **14 Years**

(21) Appl. No.: **29/438,235**

(22) Filed: **Nov. 28, 2012**

(30) **Foreign Application Priority Data**

Sep. 13, 2012 (JP) ..... 2012-022212

(51) **LOC (9) Cl.** ..... **16-01**

(52) **U.S. Cl.**  
USPC ..... **D16/202**

(58) **Field of Classification Search**  
USPC ..... D16/202, 204, 208, 218; 348/373-376;  
358/909.1; 396/535, 540, 541  
See application file for complete search history.

(56) **References Cited**

**U.S. PATENT DOCUMENTS**

|          |   |   |         |         |       |         |
|----------|---|---|---------|---------|-------|---------|
| D631,496 | S | * | 1/2011  | Tainaka | ..... | D16/202 |
| D640,301 | S | * | 6/2011  | Nohara  | ..... | D16/202 |
| D649,997 | S | * | 12/2011 | Imai    | ..... | D16/202 |

**OTHER PUBLICATIONS**

U.S. Appl. No. 29/438,238: First Named Inventor: Noriaki Takahashi: Title: "Digital Camera Body of Lens Replacing Type": Filed: Nov. 28, 2012.

\* cited by examiner

*Primary Examiner* — Adir Aronovich

(74) *Attorney, Agent, or Firm* — Holtz, Holtz, Goodman & Chick, PC

(57) **CLAIM**

The ornamental design for a digital camera body of lens replacing type, as shown.

**DESCRIPTION**

FIG. 1 is a front, top and right side perspective view of a digital camera body of lens replacing type showing my new design;

FIG. 2 is a front elevational view thereof;

FIG. 3 is a rear elevational view thereof;

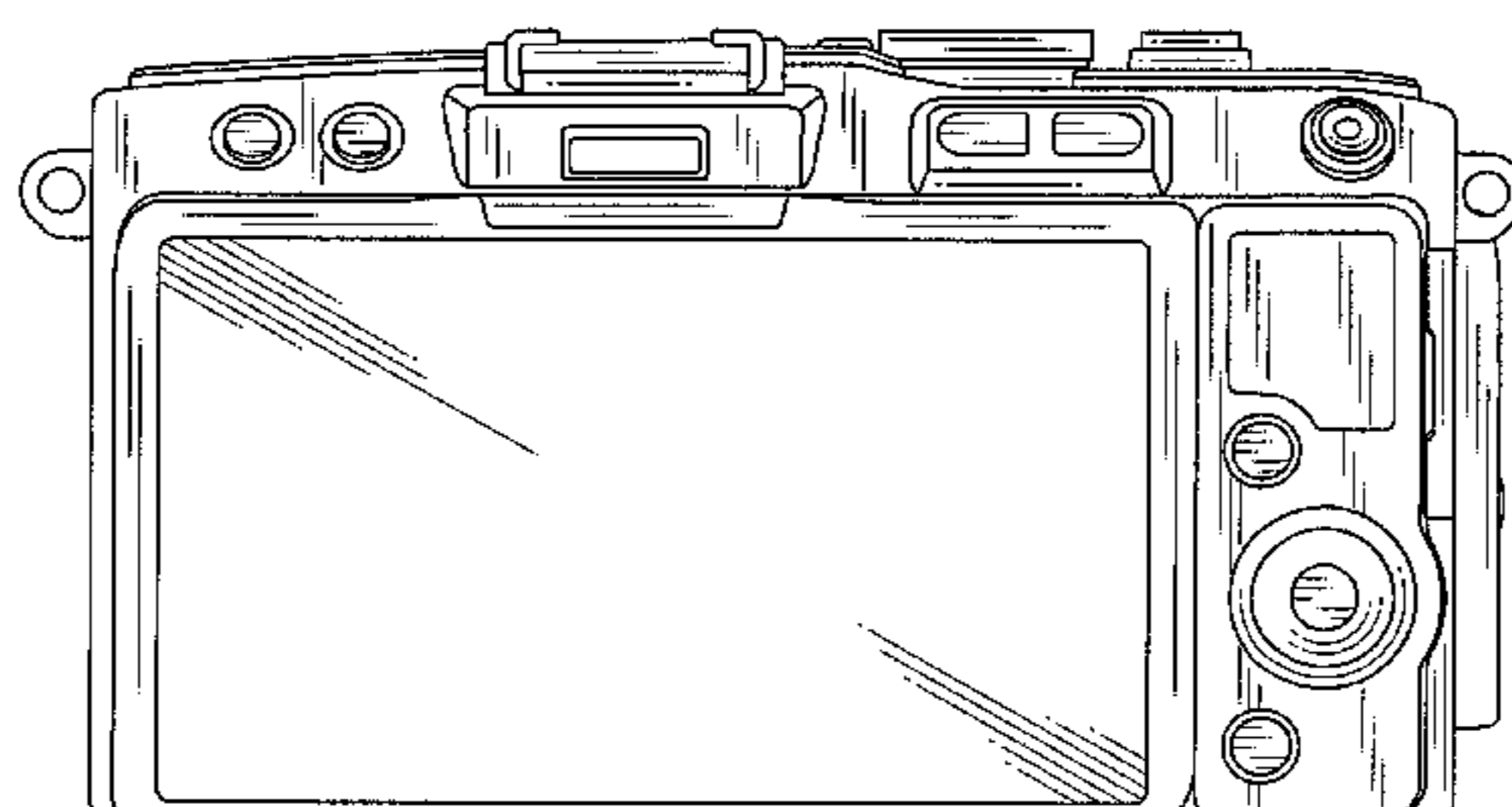
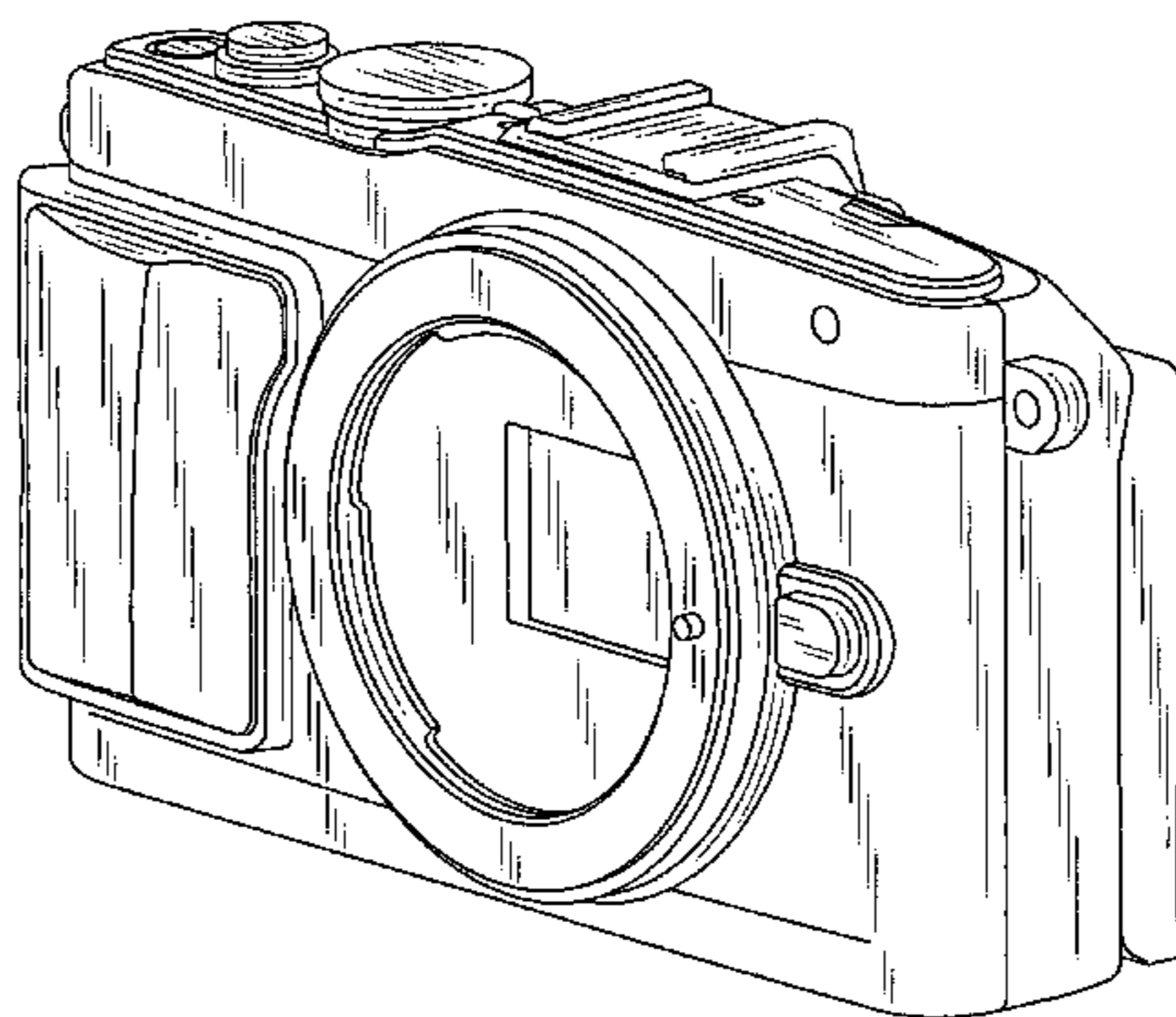
FIG. 4 is a top plan view thereof;

FIG. 5 is a bottom plan view thereof;

FIG. 6 is a right side elevational view thereof; and,

FIG. 7 is a left side elevational view thereof.

**1 Claim, 5 Drawing Sheets**



**FIG.1**

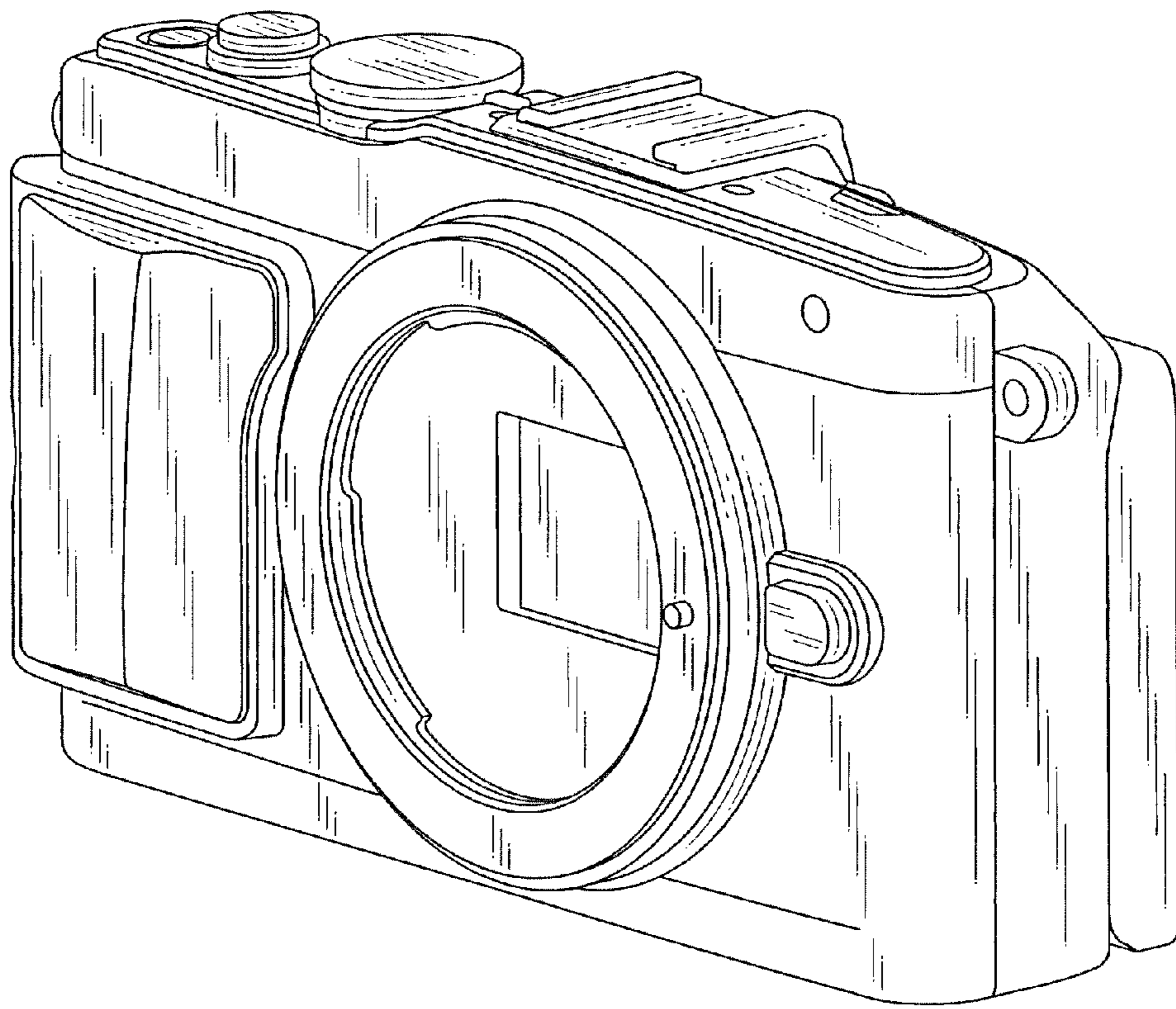


FIG.2

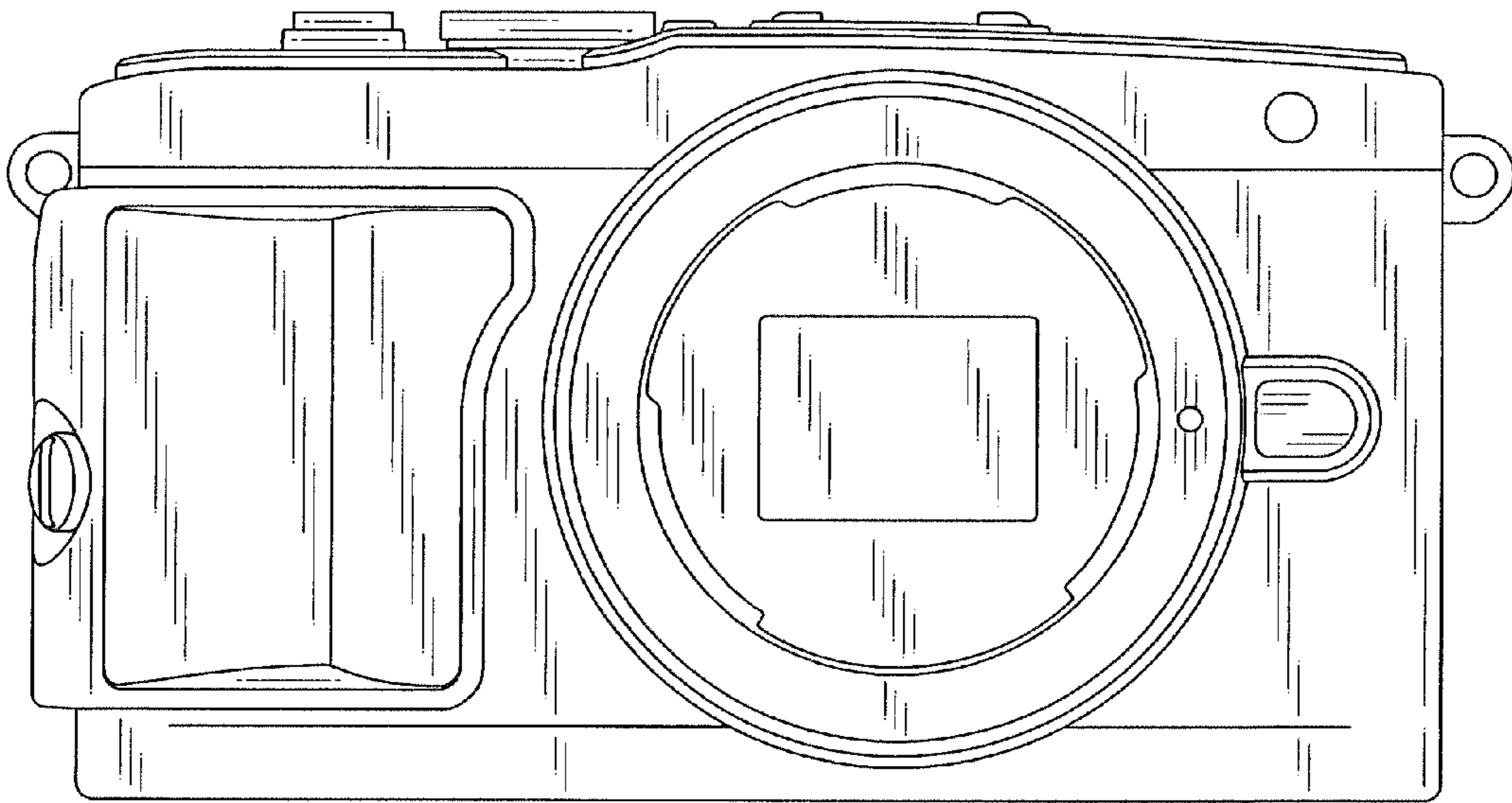
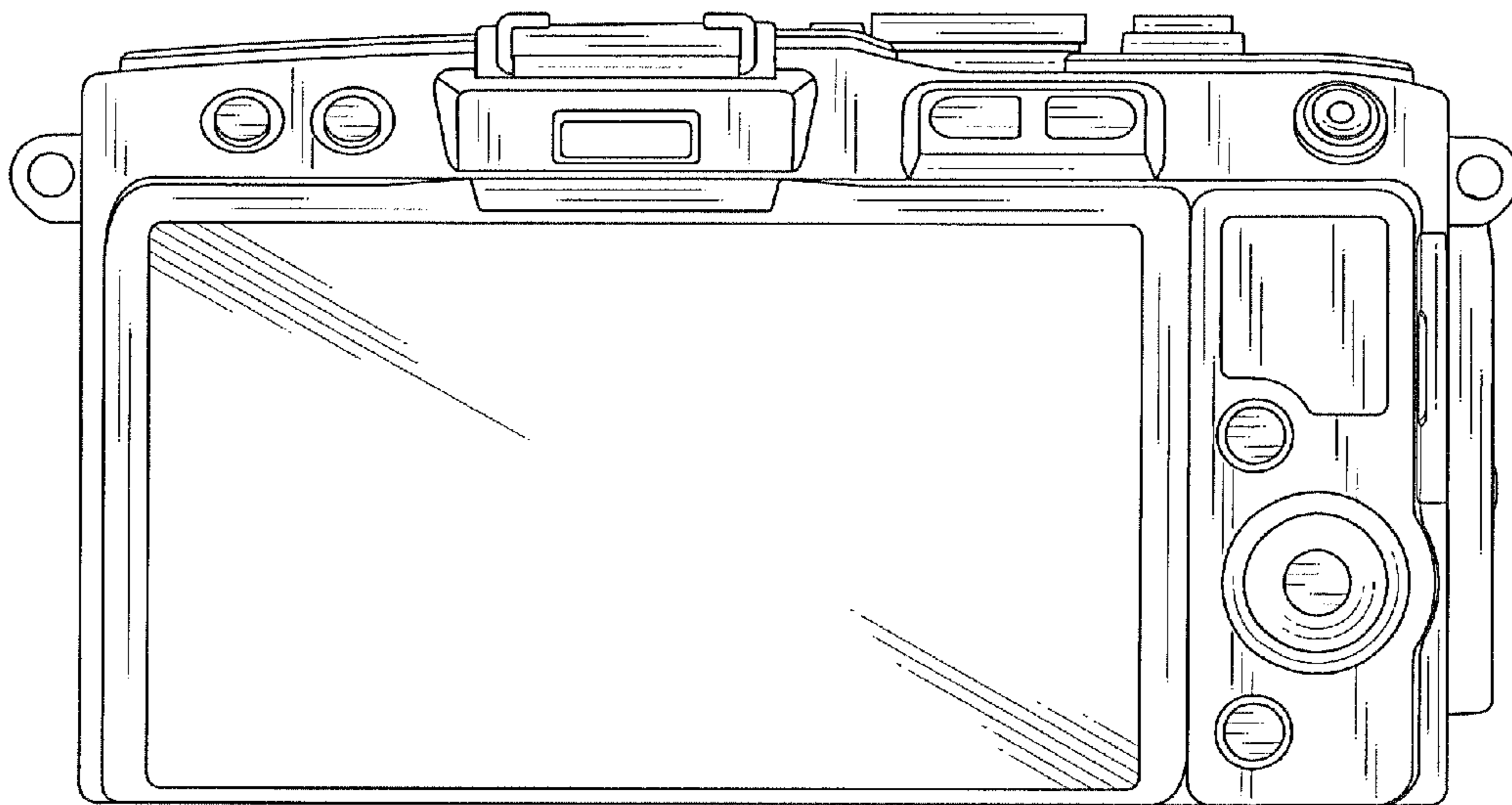
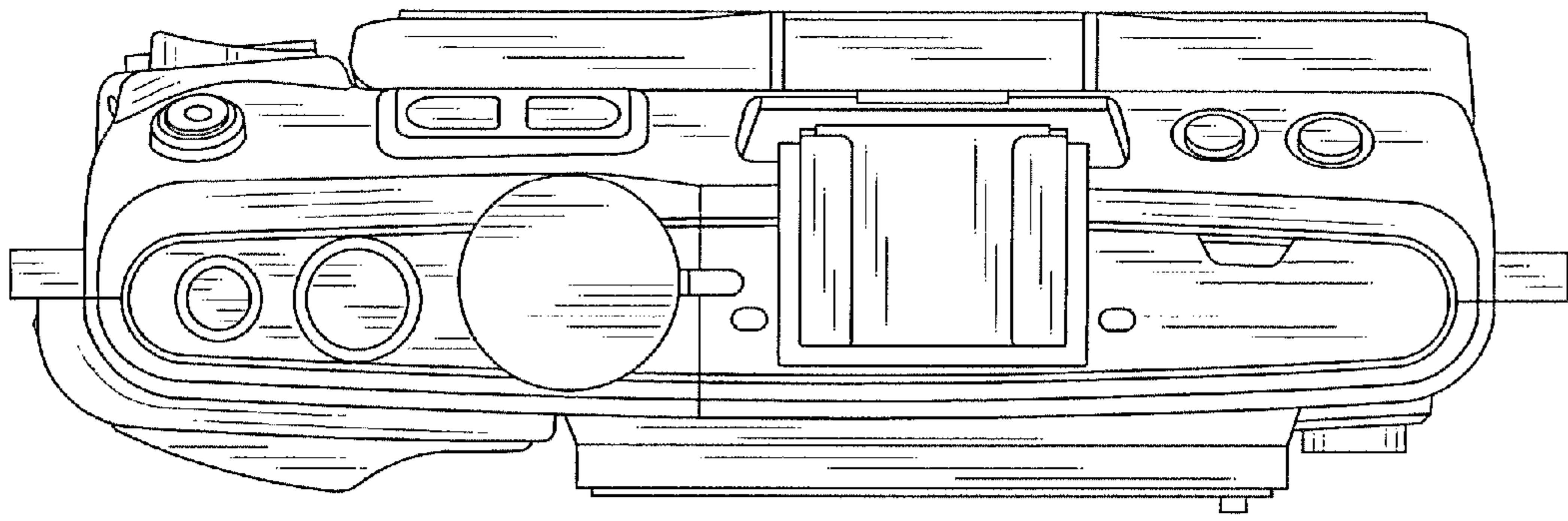


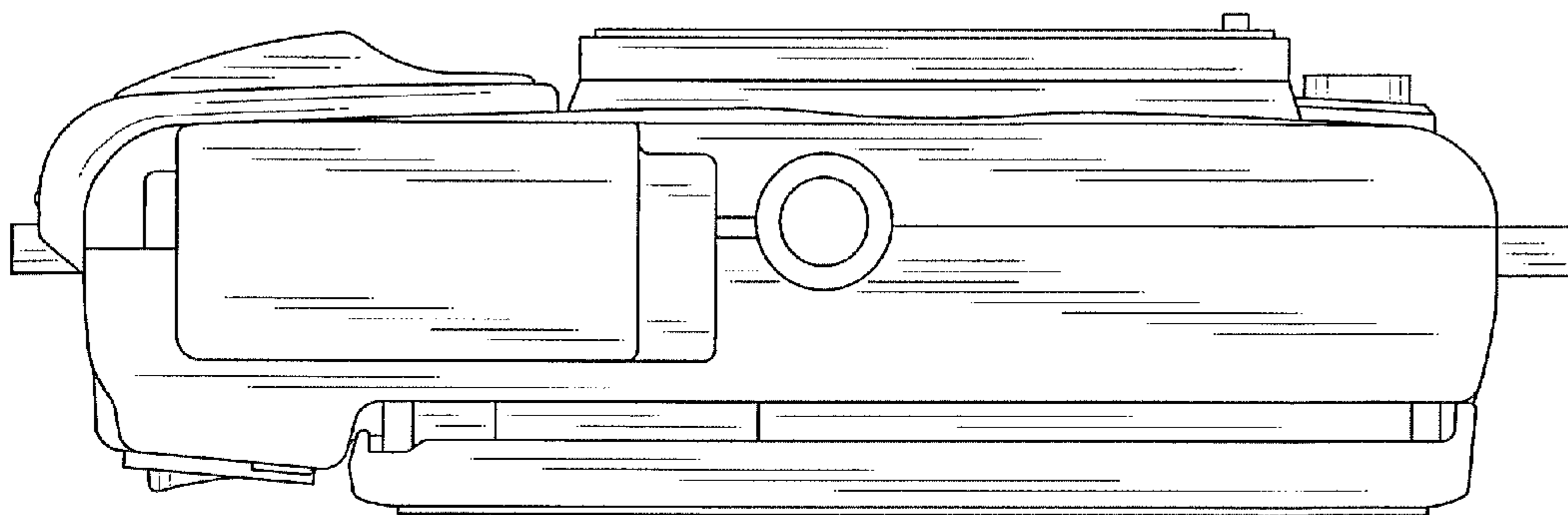
FIG.3



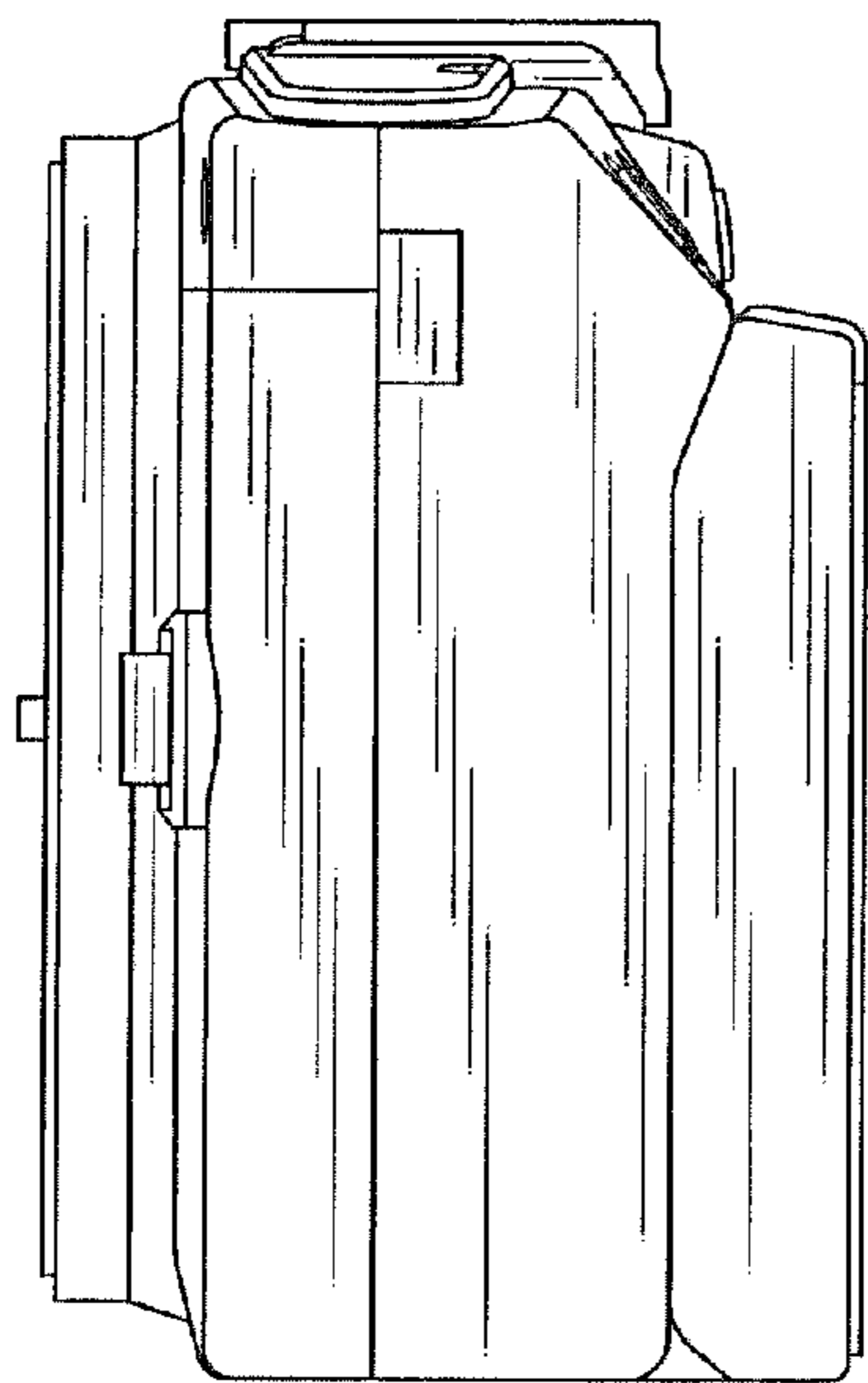
**FIG.4**



**FIG.5**



**FIG.6**



**FIG.7**

