



US00D695806S

(12) **United States Design Patent**
Konishi et al.

(10) **Patent No.:** **US D695,806 S**

(45) **Date of Patent:** **** Dec. 17, 2013**

(54) **RECORDER FOR DIGITAL VIDEO CAMERA**

(56)

References Cited

(71) Applicant: **Panasonic Corporation**, Osaka (JP)

U.S. PATENT DOCUMENTS

(72) Inventors: **Tetsuya Konishi**, Osaka (JP); **Hiroyuki Matsumoto**, Osaka (JP)

2,977,865 A *	4/1961	Irwin	396/176
D354,300 S *	1/1995	Ina et al.	D16/202
D579,887 S *	11/2008	Yamane et al.	D16/202
D603,440 S *	11/2009	Alm et al.	D16/203
D611,975 S *	3/2010	Sasaki	D16/202
D638,458 S *	5/2011	Miyamori et al.	D16/202
D653,276 S *	1/2012	Schnell	D16/218

(73) Assignee: **Panasonic Corporation**, Osaka (JP)

* cited by examiner

(**) Term: **14 Years**

Primary Examiner — Adir Aronovich

(21) Appl. No.: **29/437,149**

(74) *Attorney, Agent, or Firm* — Panasonic Patent Center

(22) Filed: **Nov. 14, 2012**

(57)

CLAIM

We claim the ornamental design for a recorder for digital video camera, as shown and described.

(30) **Foreign Application Priority Data**

DESCRIPTION

Sep. 11, 2012 (JP) 2012-021908

(51) **LOC (9) Cl.** **16-01**

(52) **U.S. Cl.**
USPC **D16/202**

(58) **Field of Classification Search**
USPC D16/200, 202, 203, 205, 208, 218;
348/373-376; 358/909.1; 396/535-541

FIG. 1 is a front, top and right side perspective view of a recorder for digital video camera of the present invention; FIG. 2 is a front elevational view thereof; FIG. 3 is a rear elevational view thereof; FIG. 4 is a left side elevational view thereof; FIG. 5 is right side elevational view thereof; FIG. 6 is a top plan view thereof; and, FIG. 7 is bottom plan view thereof. The dash-dot broken lines in FIGS. 1-6 define the bounds of the claimed design form no part thereof.

See application file for complete search history.

1 Claim, 7 Drawing Sheets

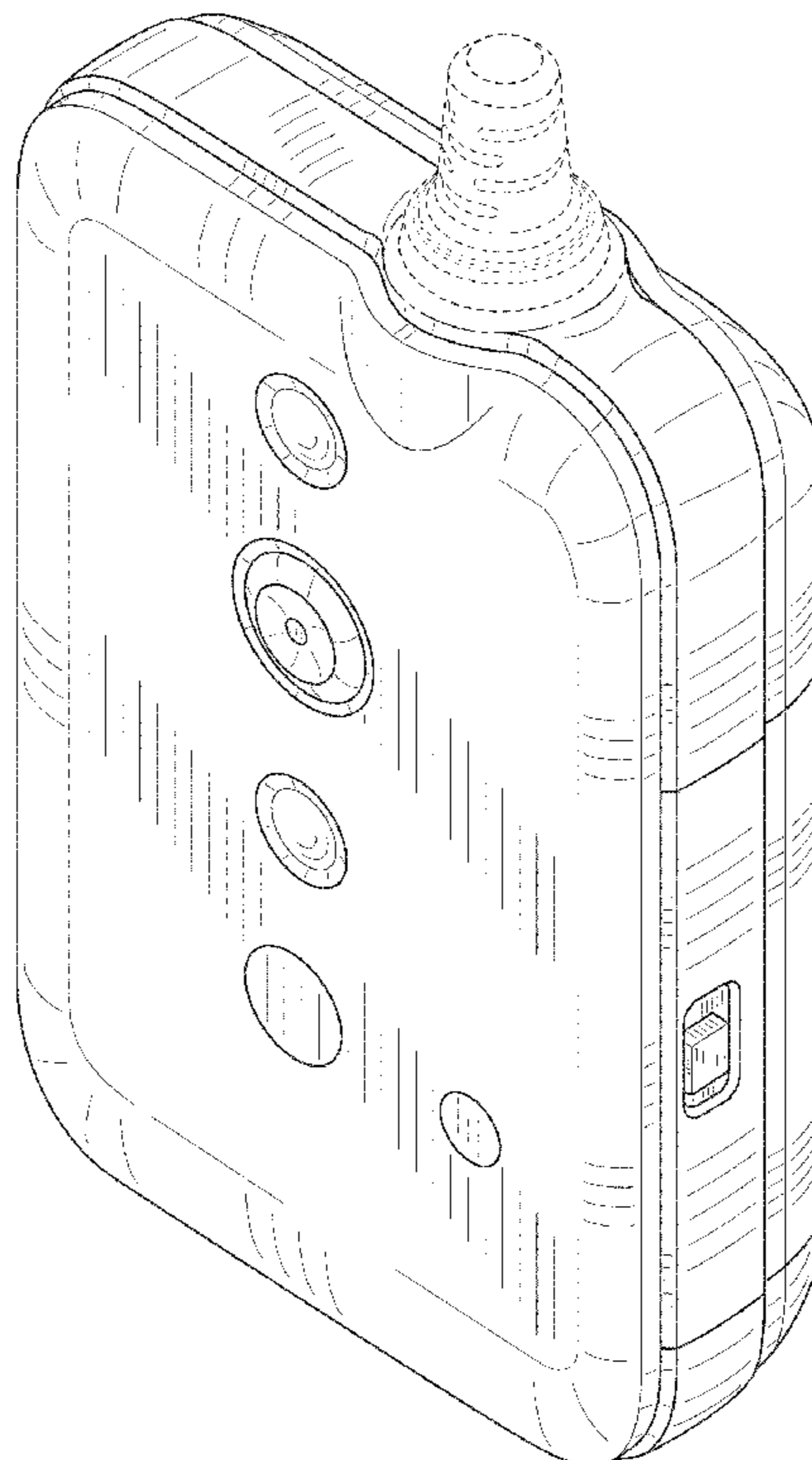


FIG. 1

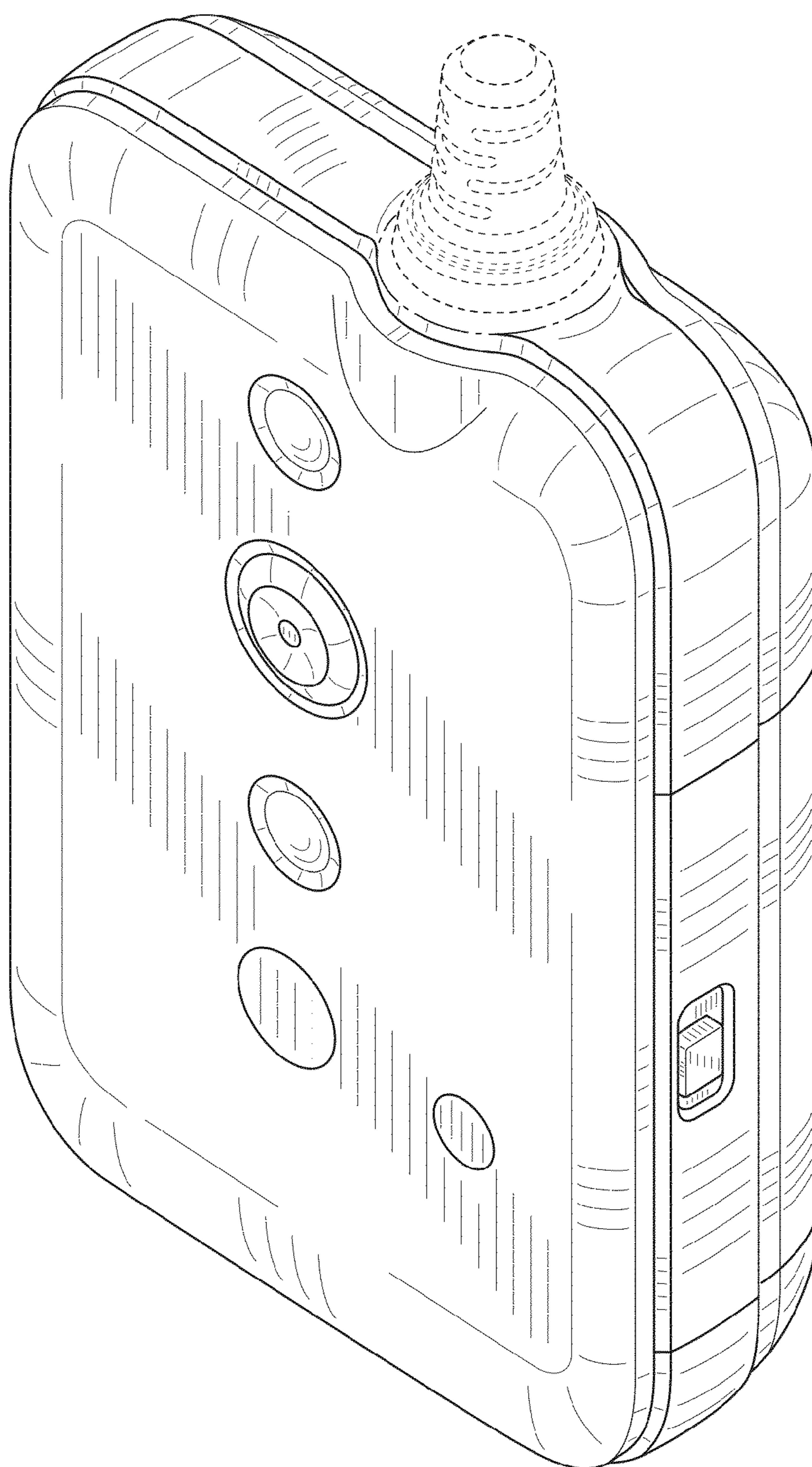


FIG. 2

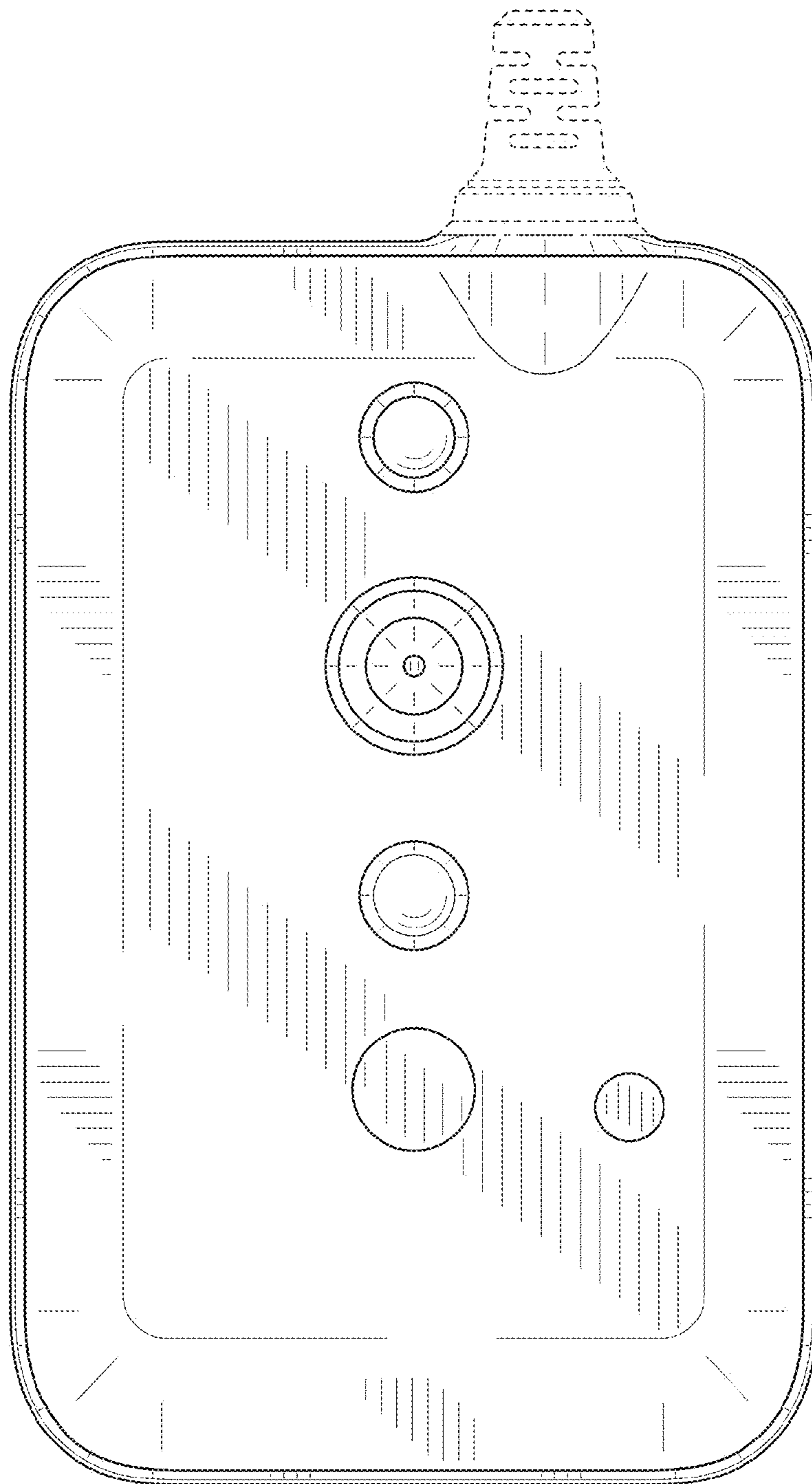


FIG. 3

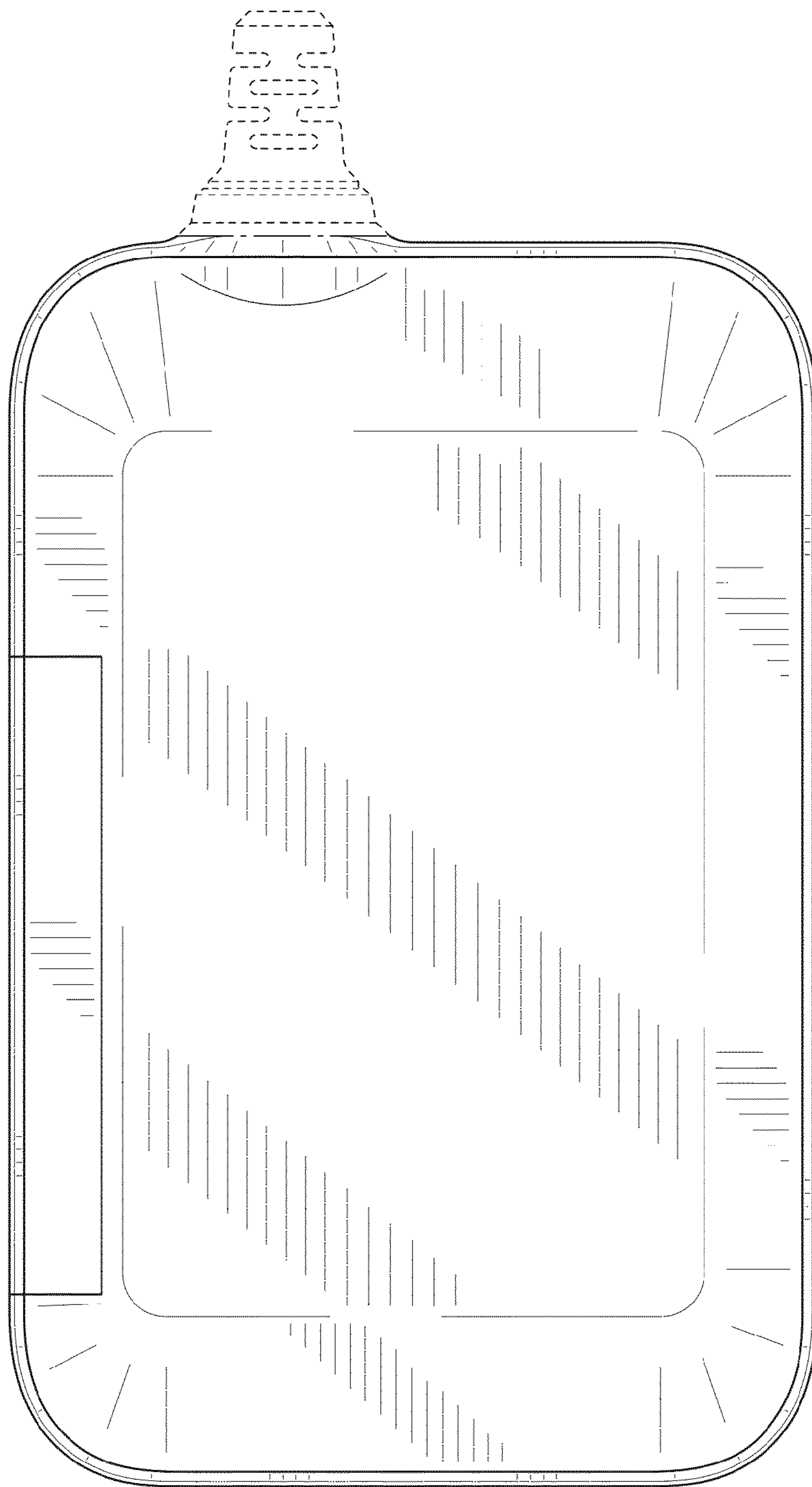


FIG. 4

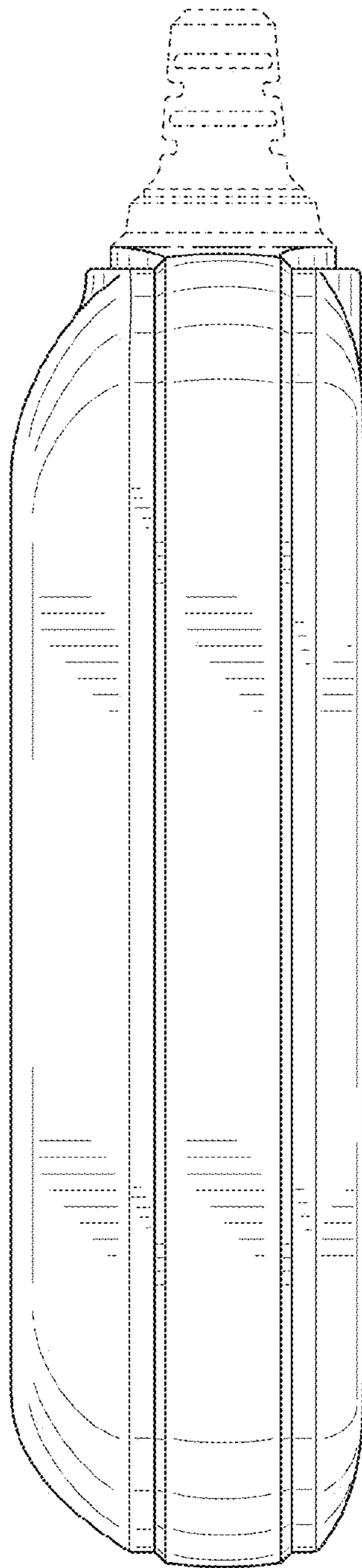


FIG. 5

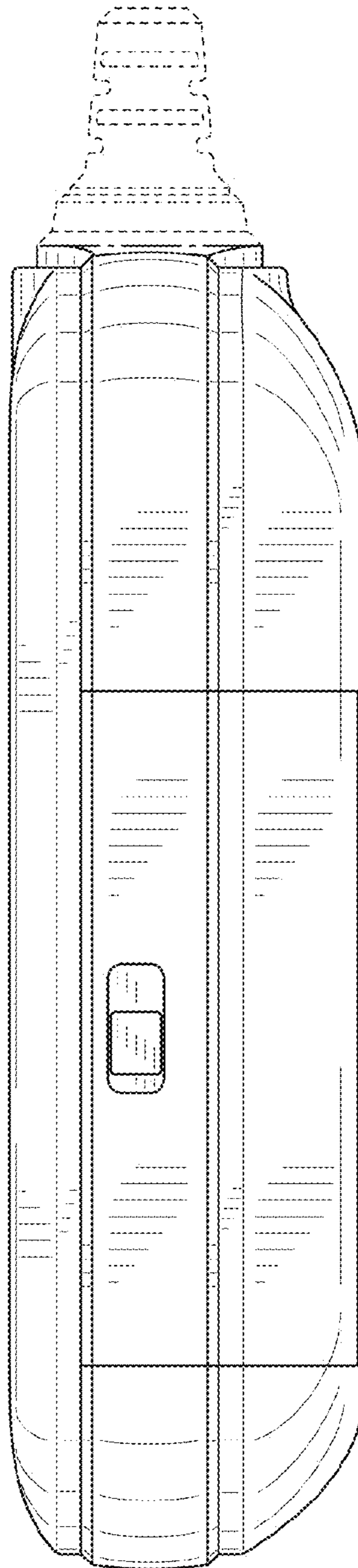


FIG. 6

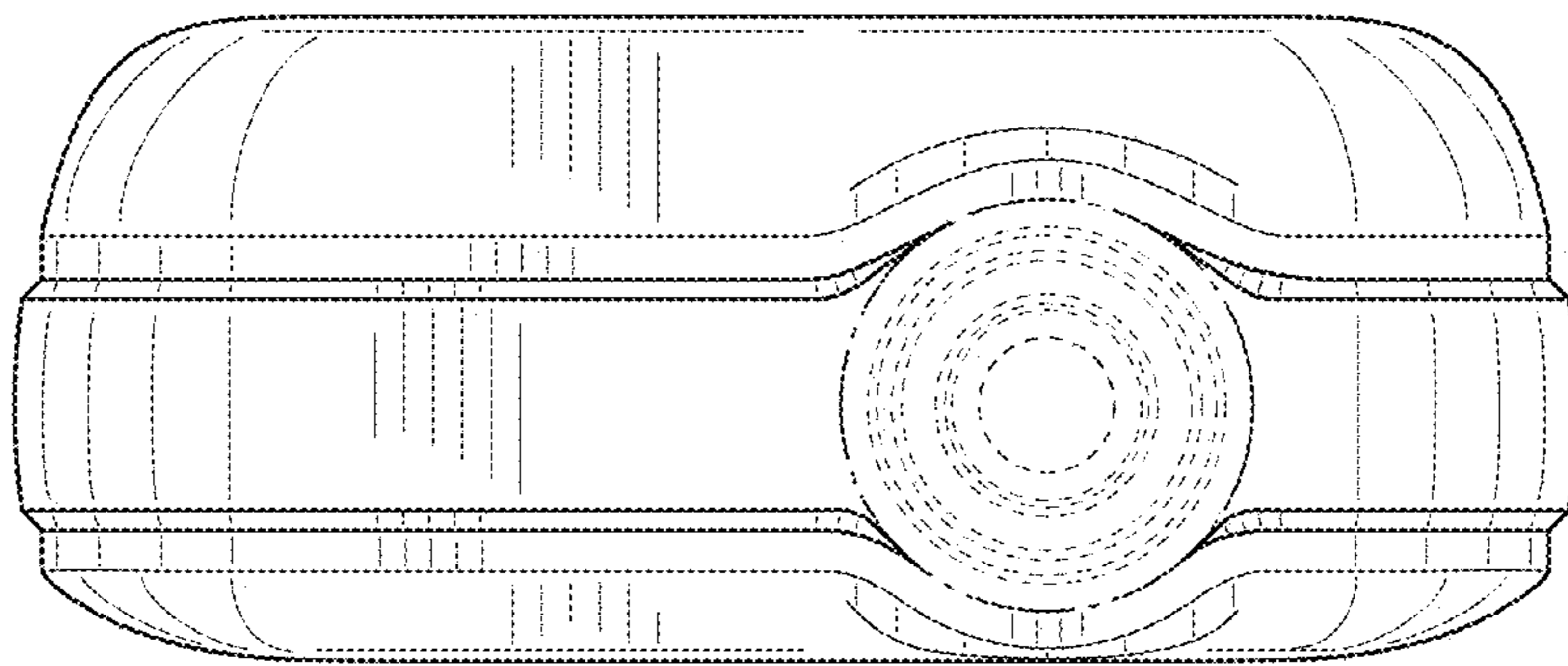


FIG. 7

