

US00D695804S

(12) **United States Design Patent**  
**Nohara et al.**

(10) **Patent No.:** **US D695,804 S**

(45) **Date of Patent:** **\*\* Dec. 17, 2013**

(54) **DIGITAL CAMERA**

(75) Inventors: **Takeshi Nohara**, Hachioji (JP); **Noriaki Takahashi**, Hino (JP)

(73) Assignee: **Olympus Imaging Corp.**, Tokyo (JP)

(\*\*) Term: **14 Years**

(21) Appl. No.: **29/429,072**

(22) Filed: **Aug. 7, 2012**

(30) **Foreign Application Priority Data**

Apr. 18, 2012 (JP) ..... 2012-009102

(51) **LOC (9) Cl.** ..... **16-01**

(52) **U.S. Cl.**  
USPC ..... **D16/202**

(58) **Field of Classification Search**  
USPC ..... D16/200, 202, 203, 204, 218;  
348/373-376; 358/909.1; 396/535-541  
See application file for complete search history.

(56) **References Cited**

**U.S. PATENT DOCUMENTS**

D392,659 S \* 3/1998 Takano ..... D16/200  
D536,356 S \* 2/2007 Nakamura ..... D16/202

D545,335 S \* 6/2007 Kanno ..... D16/218  
D605,676 S \* 12/2009 Funakoshi ..... D16/202  
D628,220 S \* 11/2010 Lee ..... D16/202  
D634,766 S \* 3/2011 Ham ..... D16/202  
D640,300 S \* 6/2011 Sato et al. .... D16/202  
8,014,667 B2 \* 9/2011 Saiki ..... 396/535  
D649,572 S \* 11/2011 Lee ..... D16/202  
D652,853 S \* 1/2012 Tsukamoto ..... D16/202  
D669,517 S \* 10/2012 Nakamura ..... D16/202

\* cited by examiner

*Primary Examiner* — Adir Aronovich

(74) *Attorney, Agent, or Firm* — Holtz, Holtz, Goodman & Chick, PC

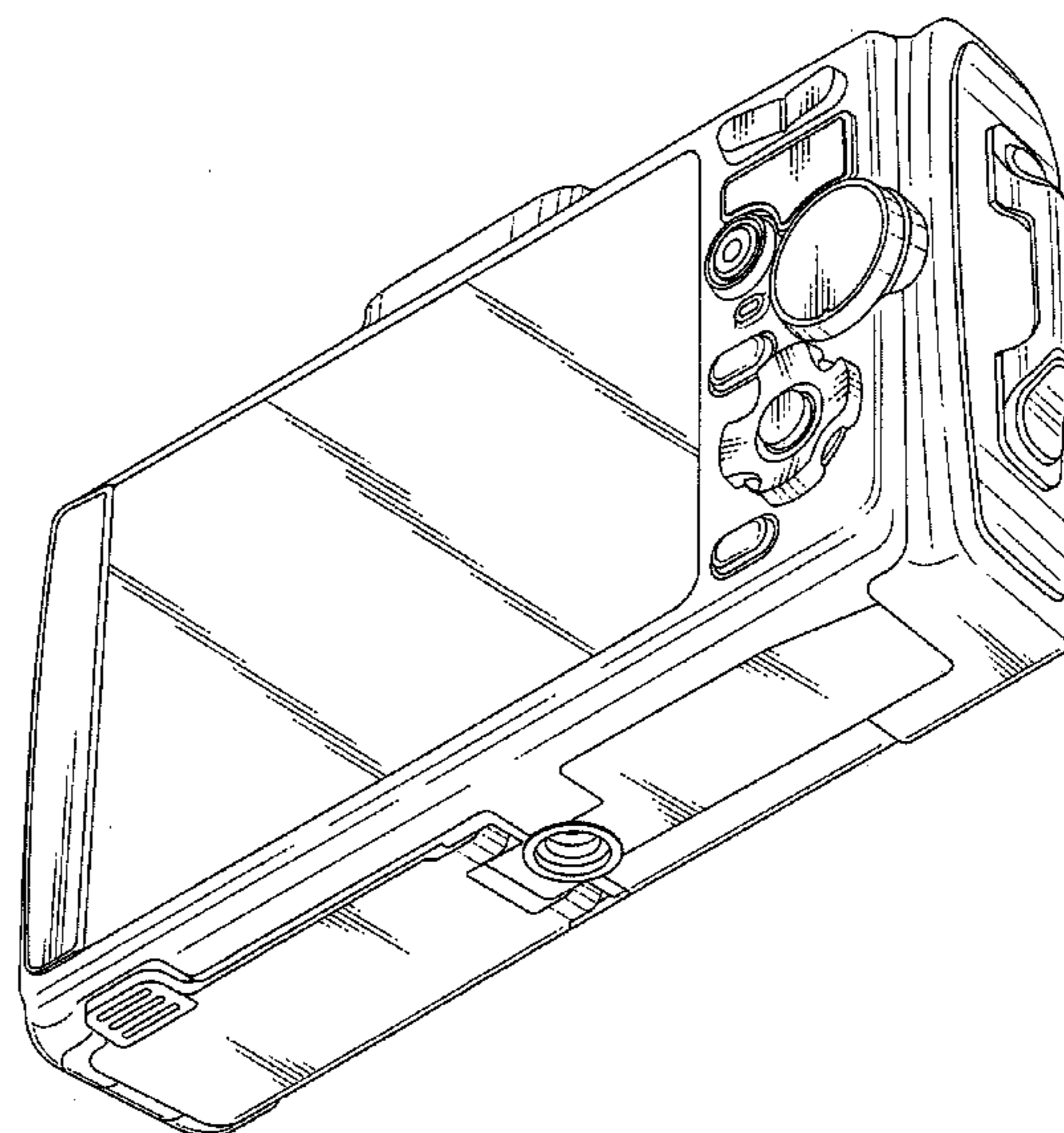
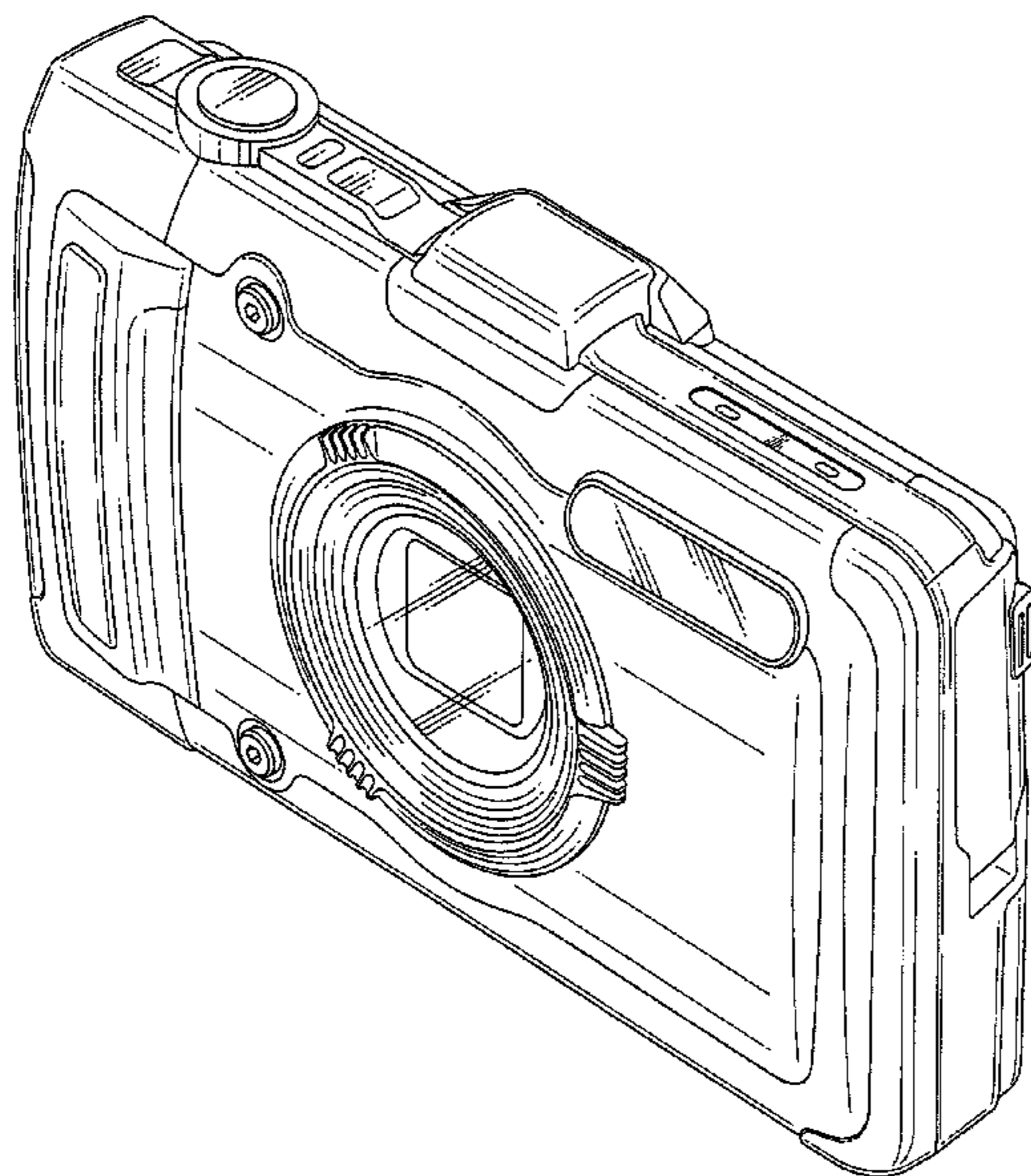
(57) **CLAIM**

The ornamental design for a digital camera, as shown.

**DESCRIPTION**

FIG. 1 is a front, top and right side perspective view of a digital camera showing our new design;  
FIG. 2 is a rear, bottom and left side perspective view thereof.  
FIG. 3 is a front elevational view thereof;  
FIG. 4 is a rear elevational view thereof;  
FIG. 5 is a top plan view thereof;  
FIG. 6 is a bottom plan view thereof;  
FIG. 7 is a left side elevational view thereof; and,  
FIG. 8 is a right side elevational view thereof.

**1 Claim, 7 Drawing Sheets**



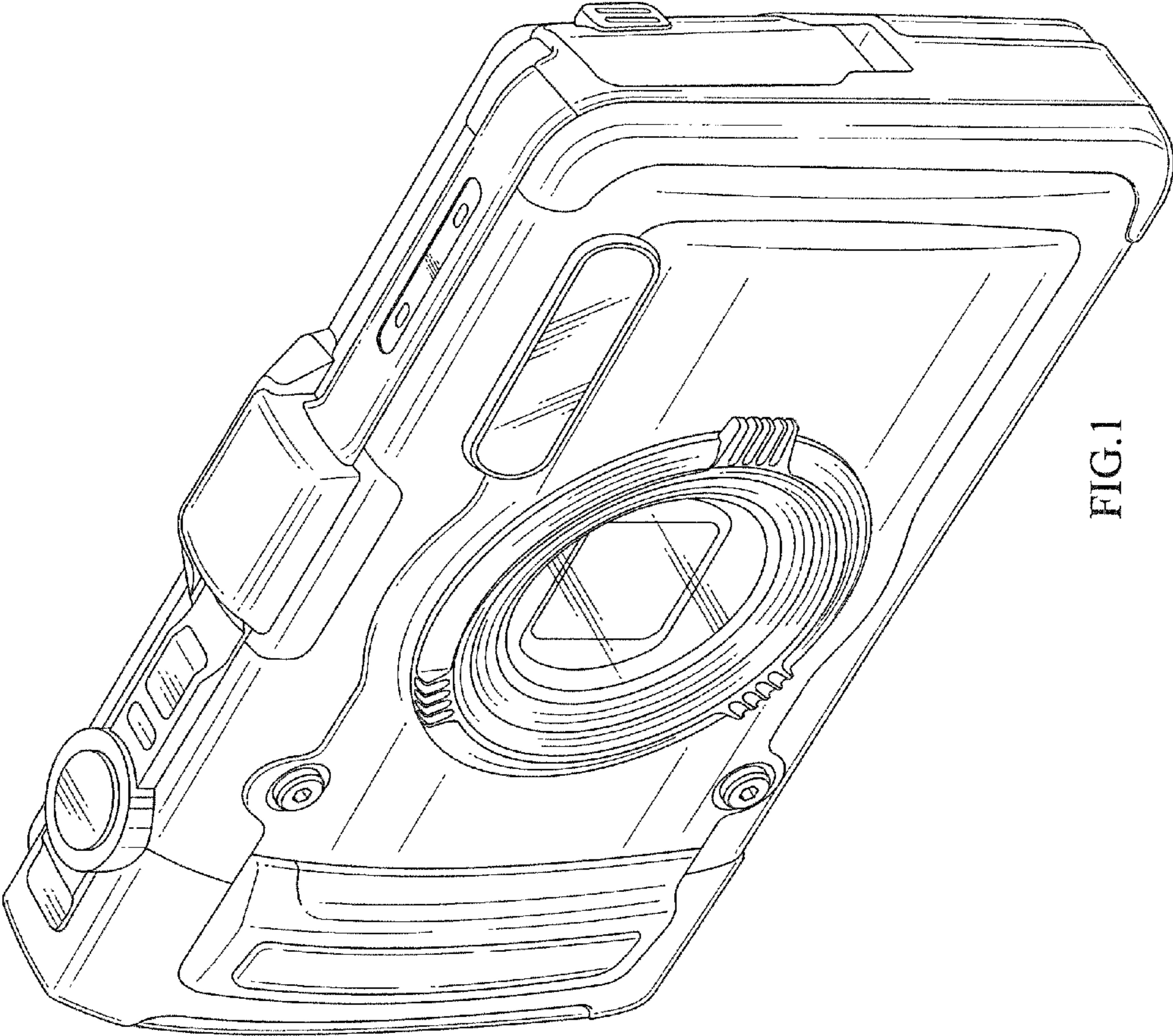


FIG.1

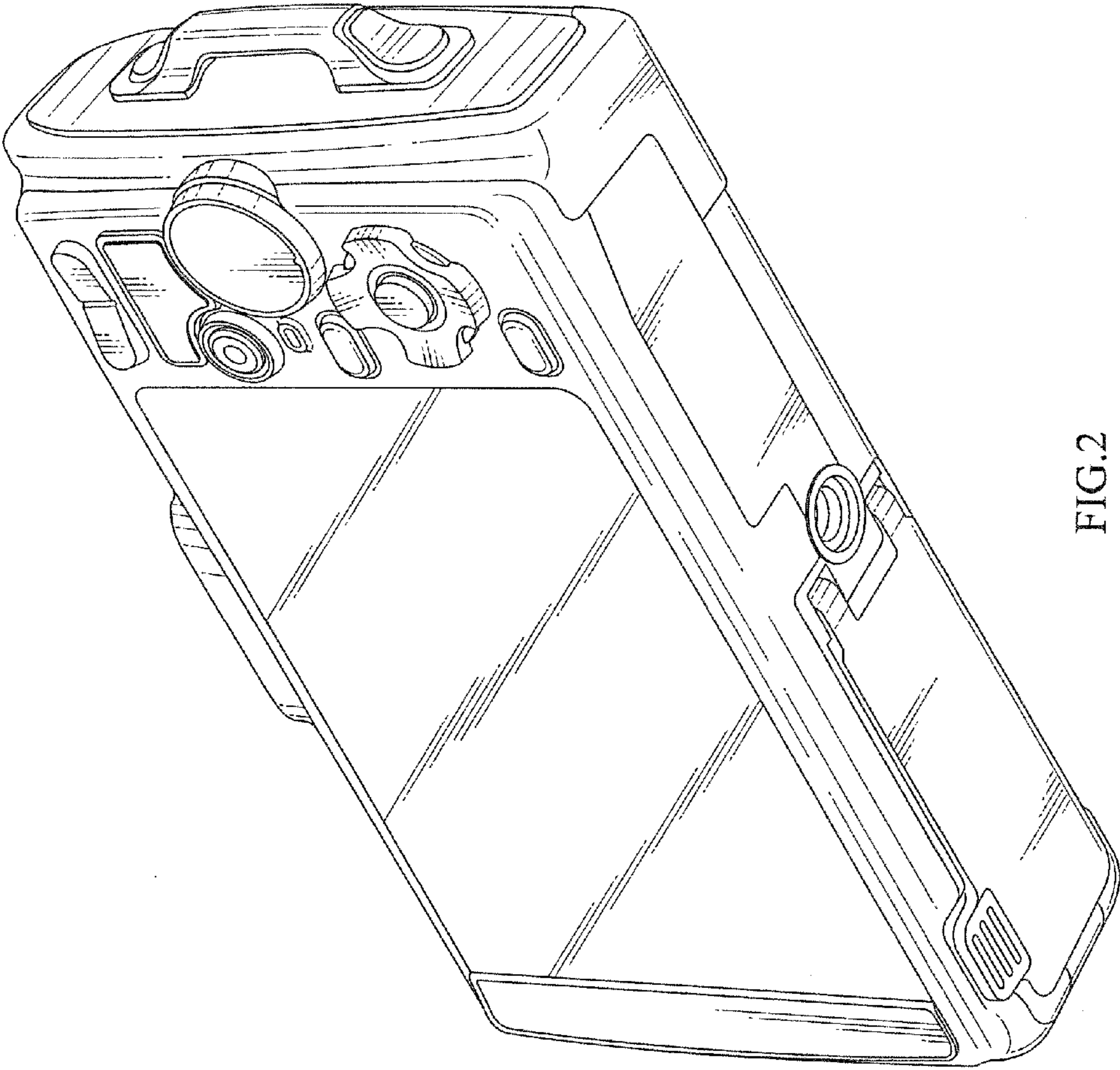


FIG.2

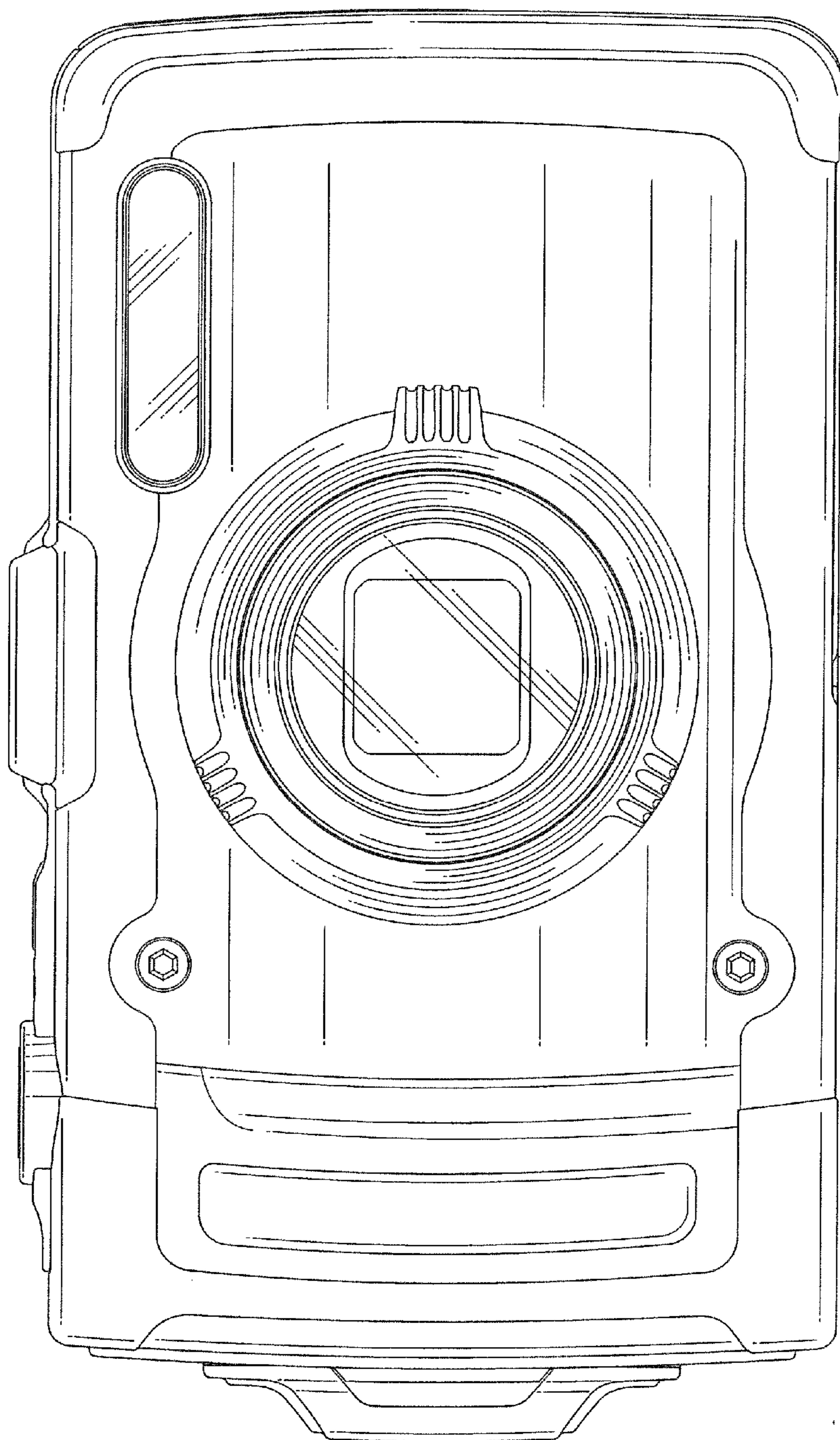


FIG. 3

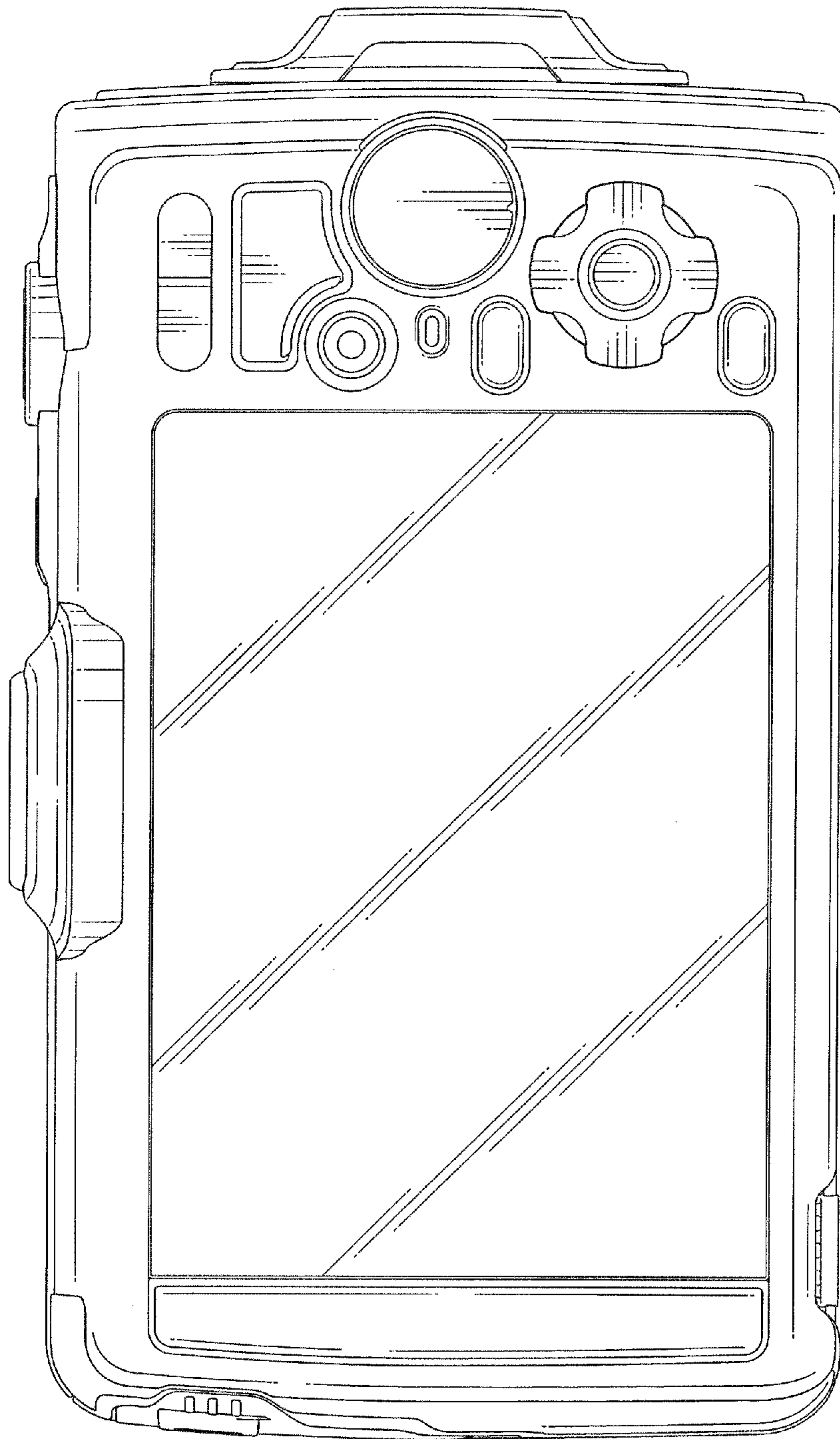


FIG.4

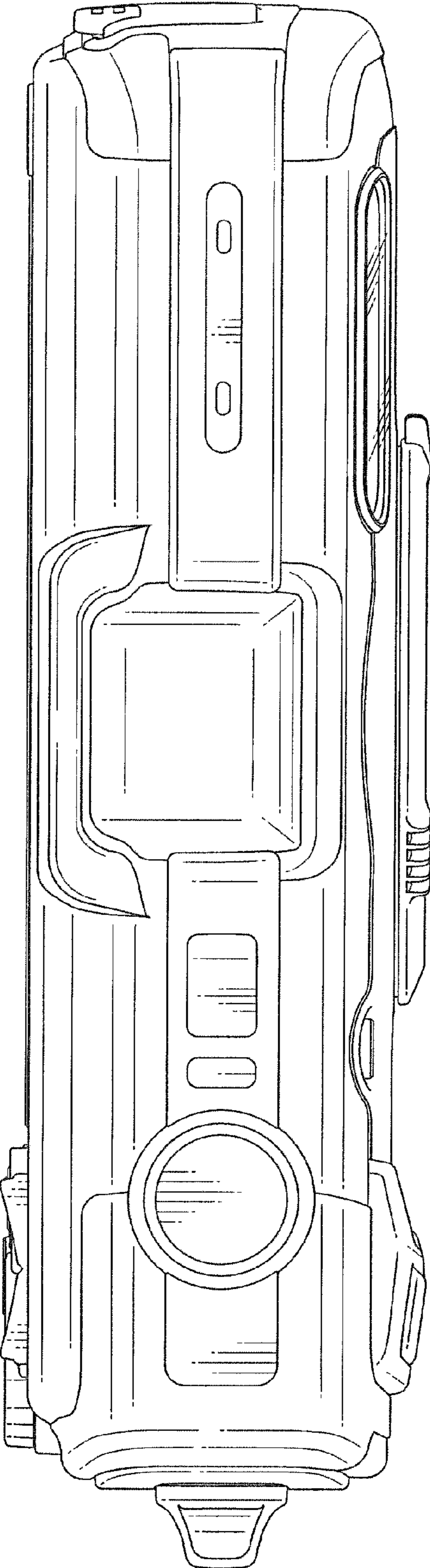


FIG.5

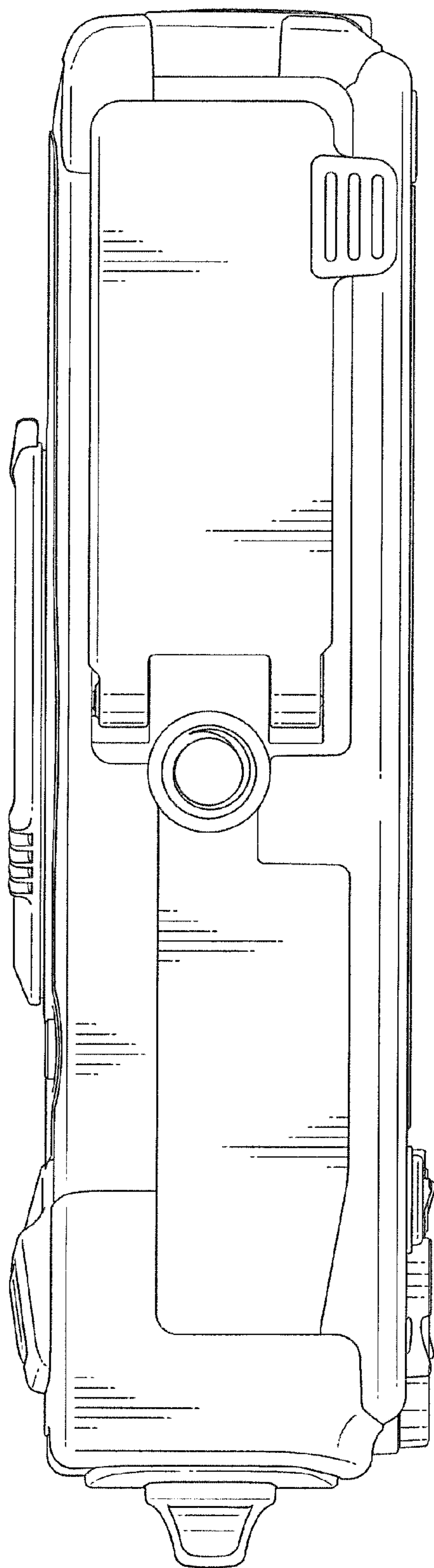


FIG.6

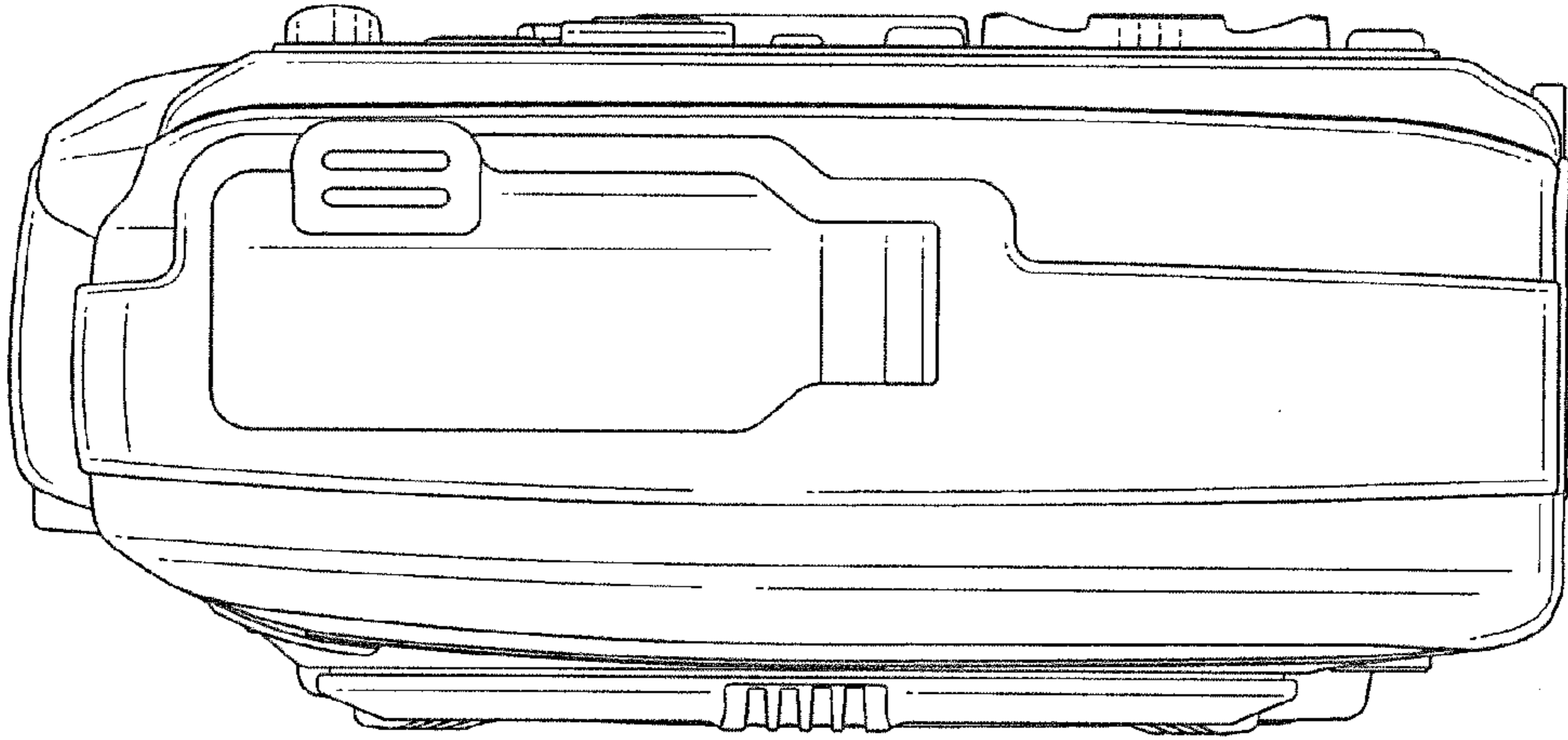


FIG.8

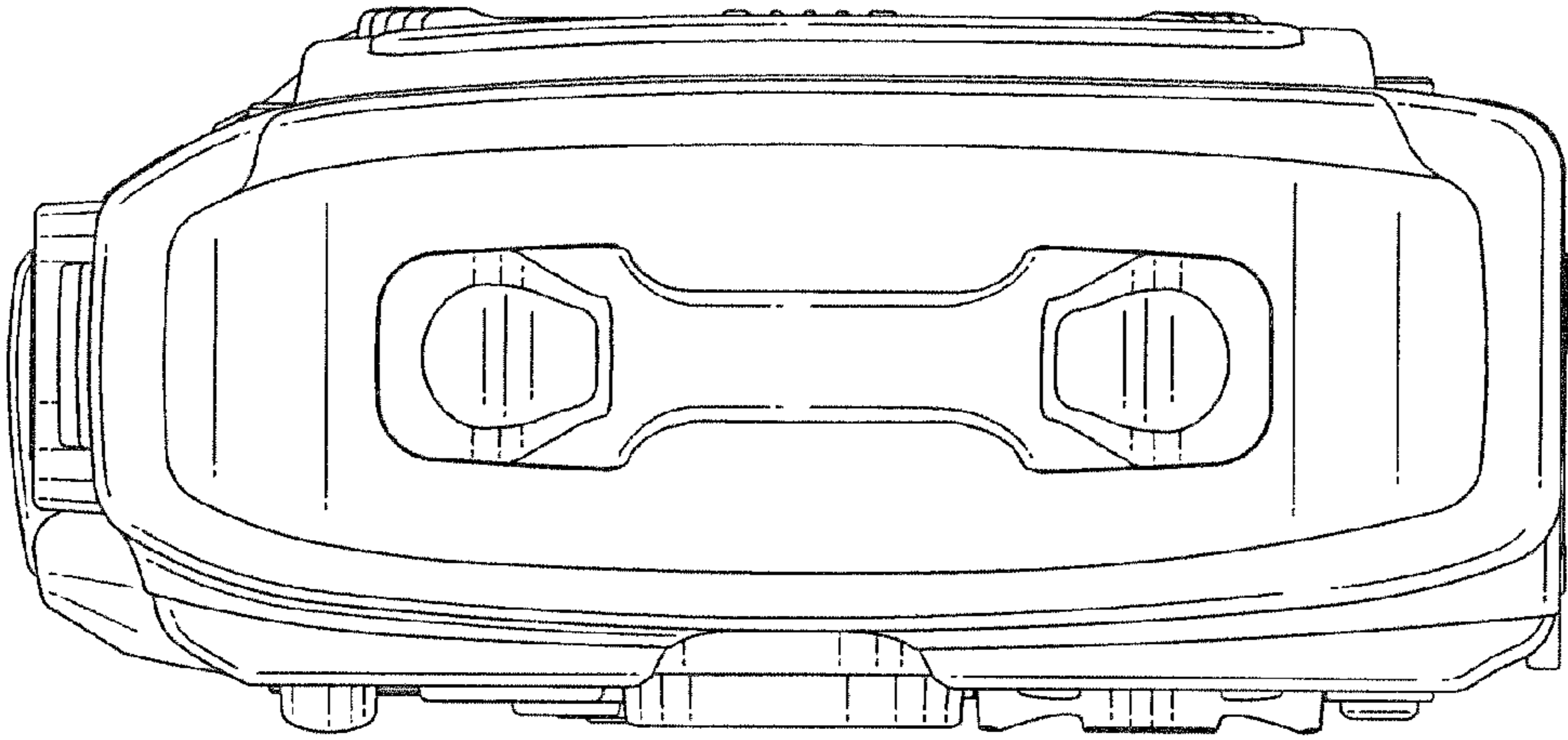


FIG.7