



US00D695803S

(12) **United States Design Patent**  
**Kyunghan et al.**

(10) **Patent No.:** **US D695,803 S**  
(45) **Date of Patent:** **\*\* Dec. 17, 2013**

- (54) **DIGITAL CAMERA**
- (75) Inventors: **Noh Kyunghan**, Yongin-si (KR); **Ham Min Ki**, Seoul (KR)
- (73) Assignee: **Samsung Electronics Co., Ltd.**, Gyeonggi-do (KR)
- (\*\*) Term: **14 Years**
- (21) Appl. No.: **29/420,091**
- (22) Filed: **May 4, 2012**
- (51) **LOC (9) Cl.** ..... **16-01**
- (52) **U.S. Cl.**  
USPC ..... **D16/202**
- (58) **Field of Classification Search**  
USPC ..... D16/200, 202, 204, 206, 208, 218;  
348/373-376; 358/909.1; 396/535-541  
See application file for complete search history.

- D634,765 S \* 3/2011 Noh et al. .... D16/202
- D634,766 S \* 3/2011 Ham ..... D16/202
- D641,033 S \* 7/2011 Nohara ..... D16/202
- D660,337 S \* 5/2012 Hwang ..... D16/202
- D669,929 S \* 10/2012 Jang et al. .... D16/202

\* cited by examiner

*Primary Examiner* — Adir Aronovich  
(74) *Attorney, Agent, or Firm* — Harness, Dickey & Pierce, P.L.C.

(57) **CLAIM**  
The ornamental design for a digital camera, as shown.

**DESCRIPTION**

FIG. 1 is a front, top and right side perspective view of a digital camera showing our new design;  
FIG. 2 is a front elevational view thereof;  
FIG. 3 is a rear elevational view thereof;  
FIG. 4 is a left side elevational view thereof;  
FIG. 5 is a right side elevational view thereof;  
FIG. 6 is a top plan view thereof; and,  
FIG. 7 is a bottom plan view thereof.

(56) **References Cited**  
U.S. PATENT DOCUMENTS

- D561,219 S \* 2/2008 Nagayama et al. .... D16/202
- 7,646,426 B2 \* 1/2010 Saiki et al. .... 348/373

**1 Claim, 7 Drawing Sheets**

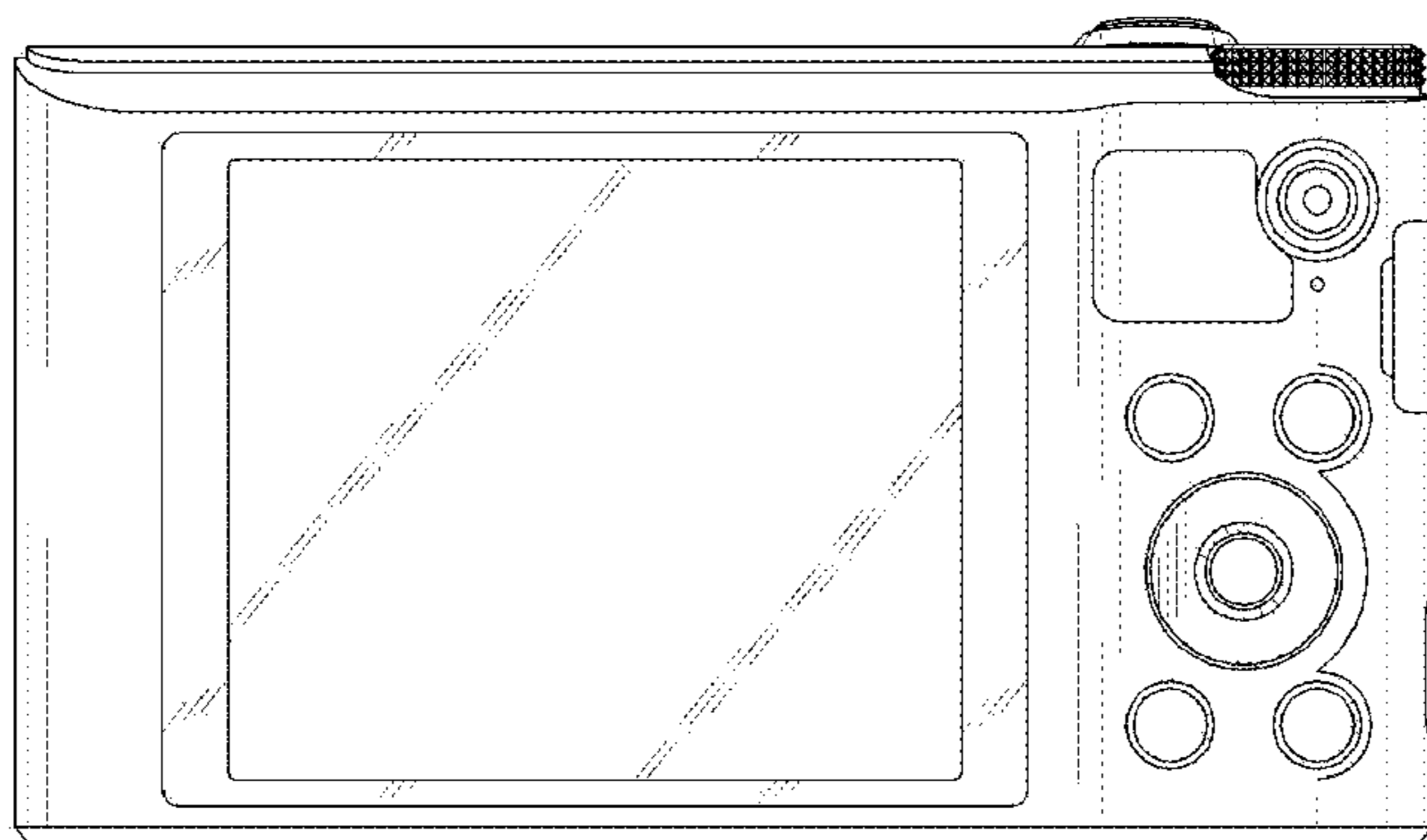
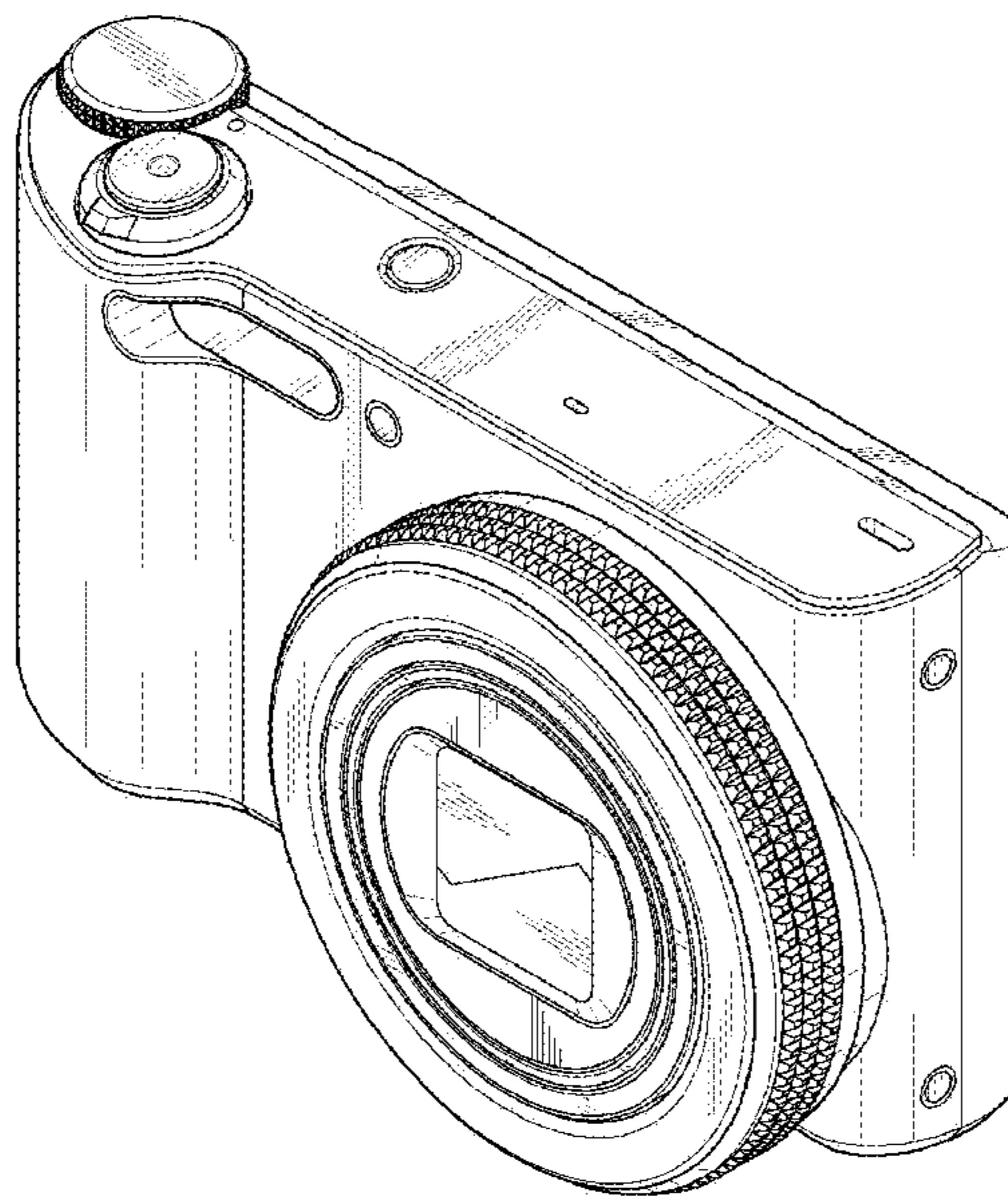


FIG. 1

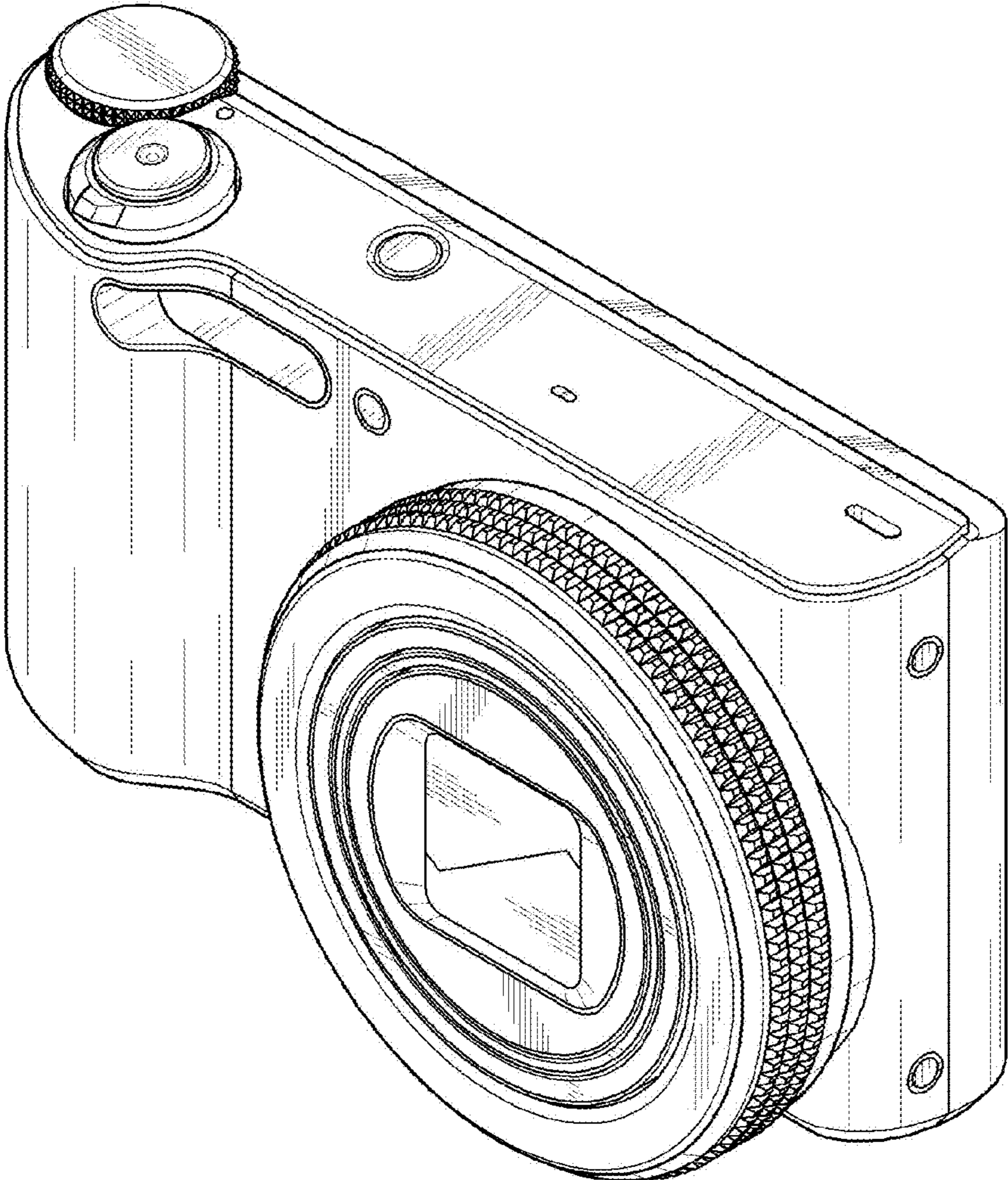


FIG. 2

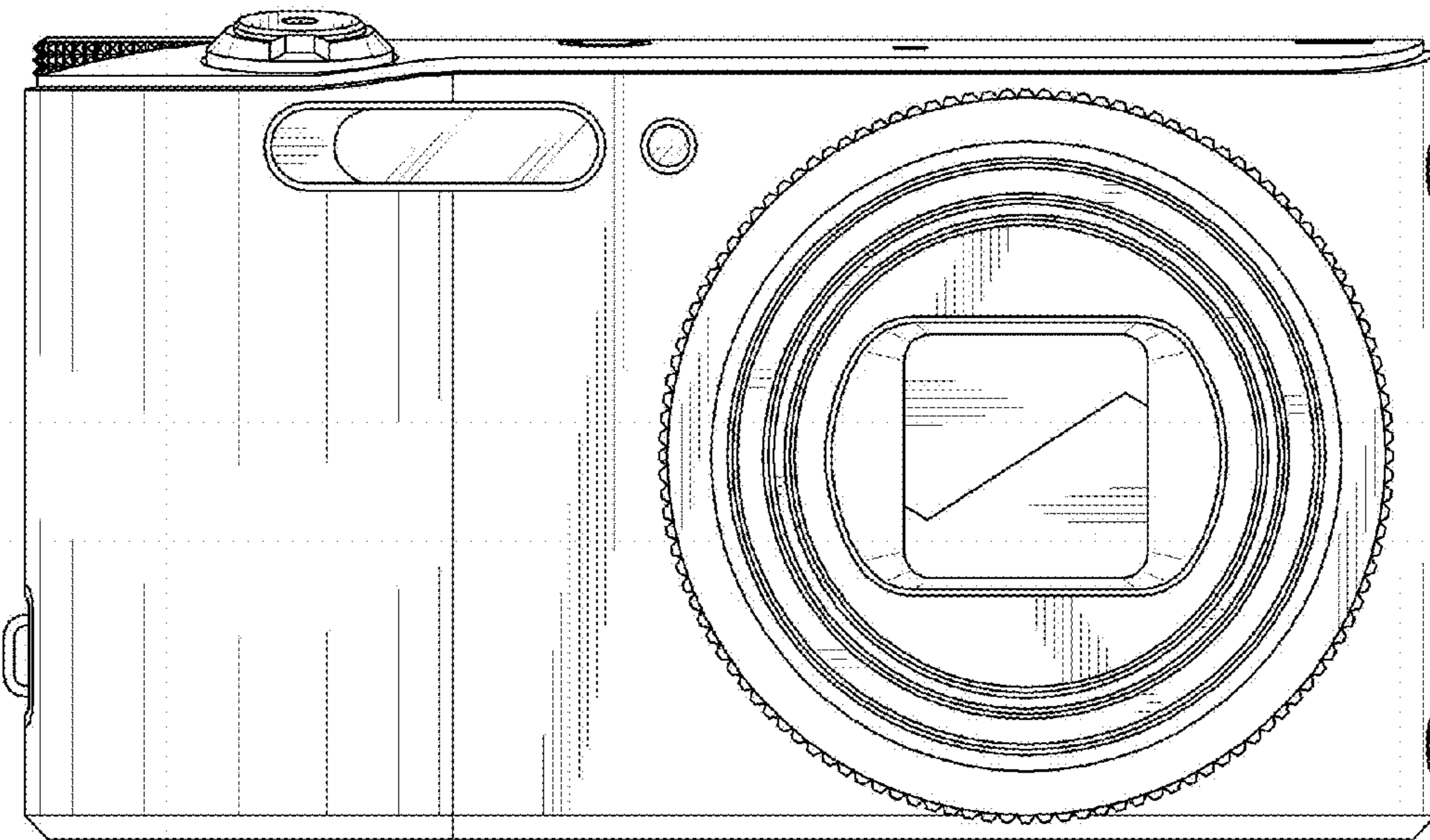


FIG. 3

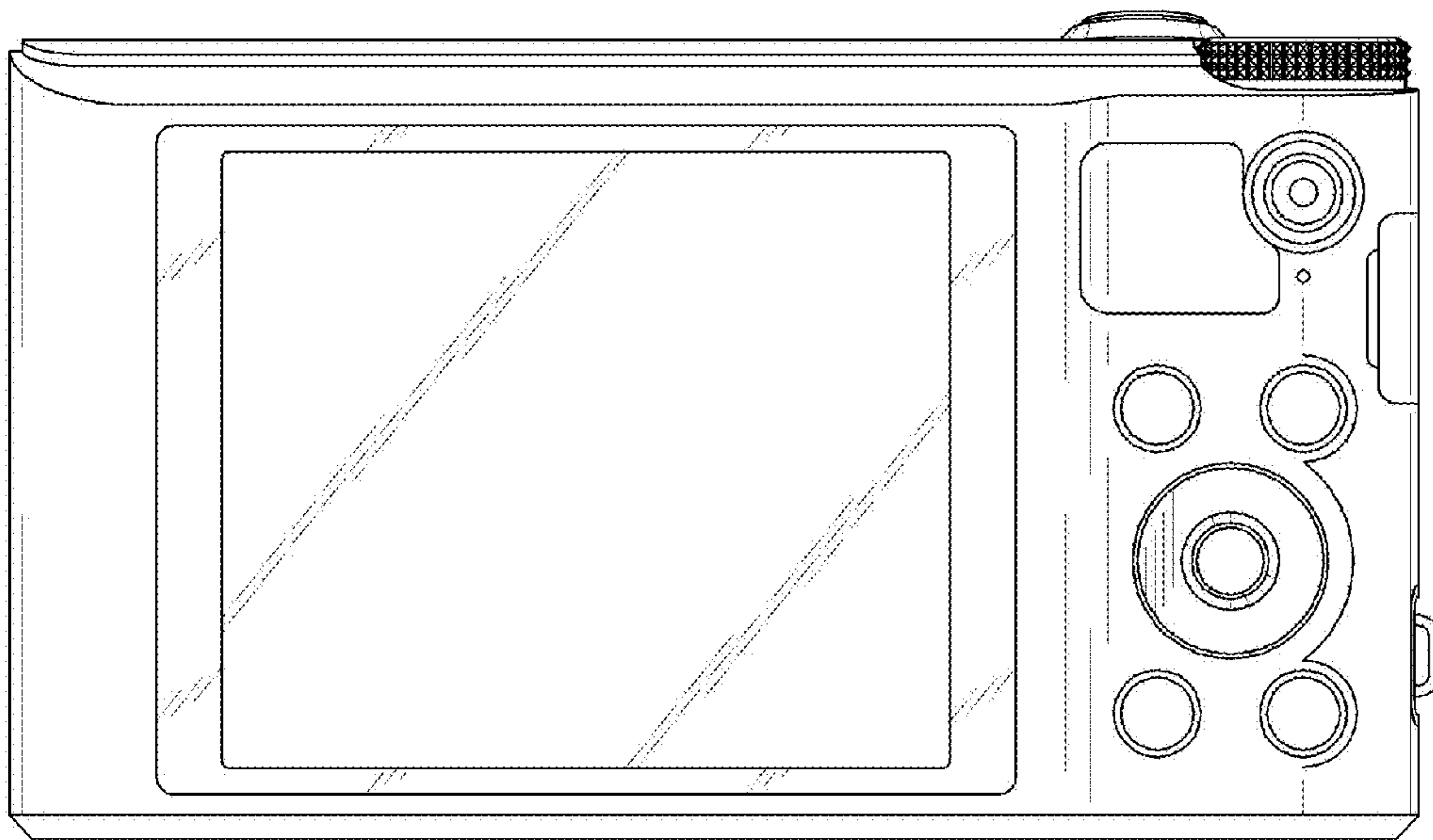


FIG. 4

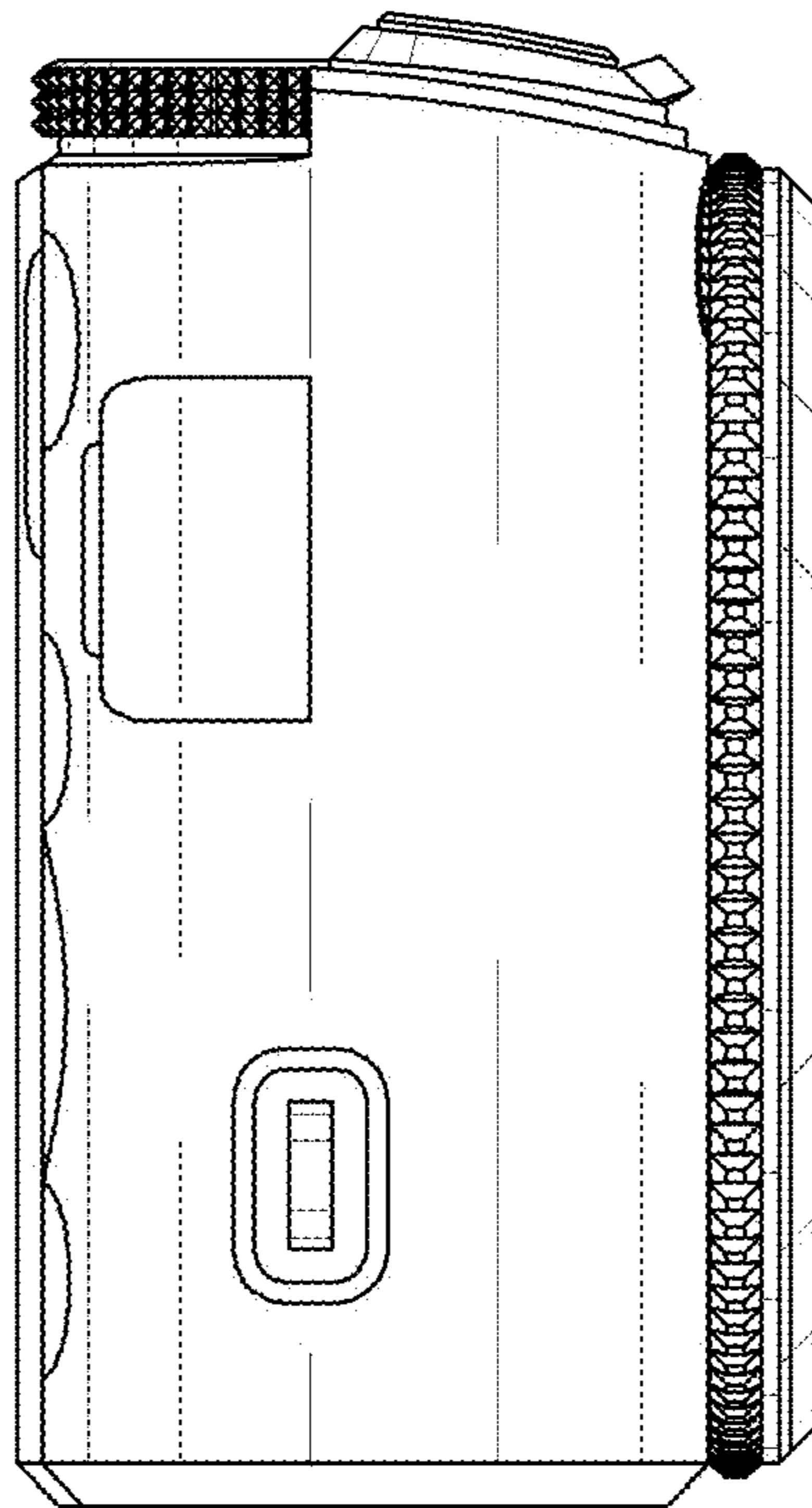


FIG. 5

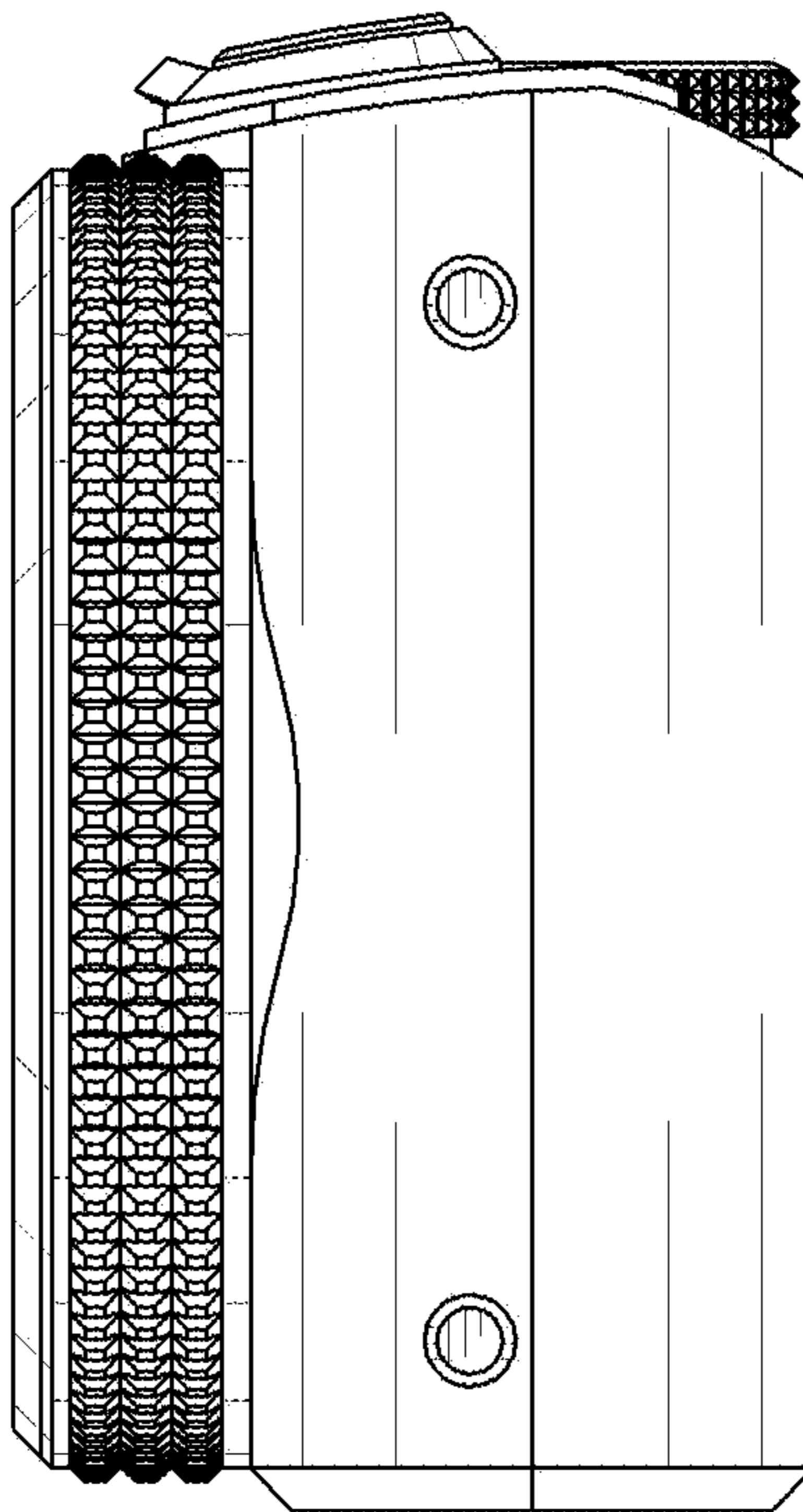


FIG. 6

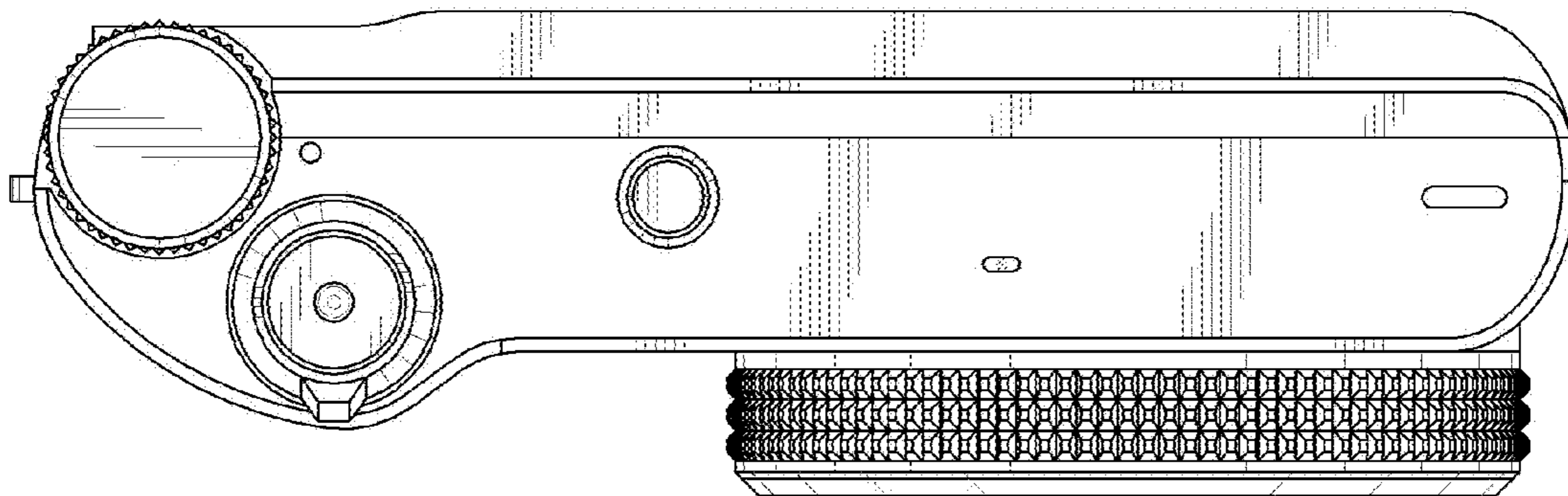


FIG. 7

