



US00D695802S

(12) **United States Design Patent**
Kim et al.

(10) **Patent No.:** **US D695,802 S**
(45) **Date of Patent:** **** Dec. 17, 2013**

- (54) **DIGITAL CAMERA**
- (75) Inventors: **Joo-Hyung Kim**, Seoul (KR); **Min Ki Ham**, Seoul (KR)
- (73) Assignee: **Samsung Electronics Co., Ltd.**, Suwon-Si (KR)
- (**) Term: **14 Years**
- (21) Appl. No.: **29/423,341**
- (22) Filed: **May 31, 2012**
- (51) **LOC (9) Cl.** **16-01**
- (52) **U.S. Cl.**
USPC **D16/200**
- (58) **Field of Classification Search**
USPC D16/200, 202, 204, 218; 348/373, 374, 348/375, 376; 358/909.1; 396/535-541
See application file for complete search history.

- D646,314 S * 10/2011 Nohara D16/202
- D648,363 S * 11/2011 Takagi et al. D16/219
- D652,067 S * 1/2012 Katsuraku et al. D16/243
- D656,530 S * 3/2012 Kwon et al. D16/202
- D676,475 S * 2/2013 Tainaka D16/200
- 2009/0295940 A1* 12/2009 Shibuno 348/226.1
- 2012/0200765 A1* 8/2012 Honjo et al. 348/349

* cited by examiner

Primary Examiner — Philip S Hyder
Assistant Examiner — Darlington Ly
(74) *Attorney, Agent, or Firm* — Ladas & Parry LLP

(57) **CLAIM**
We claim the ornamental design for a digital camera, as shown and described.

DESCRIPTION

FIG. 1 is a front/right-side/top perspective view of a digital camera showing our new design;
FIG. 2 is a front elevational view thereof;
FIG. 3 is a rear elevational view thereof;
FIG. 4 is a left-side elevational view thereof;
FIG. 5 is a right-side elevational view thereof;
FIG. 6 is a top plan elevational view thereof; and,
FIG. 7 is a bottom plan elevational view thereof.
The broken lines shown in the drawings illustrate portions of the digital camera that form no part of the claimed design.

1 Claim, 6 Drawing Sheets

- (56) **References Cited**
U.S. PATENT DOCUMENTS
- D556,229 S * 11/2007 Bai D16/202
- D596,214 S * 7/2009 Kim et al. D16/202
- D631,496 S * 1/2011 Tainaka D16/202
- D639,326 S * 6/2011 Baba et al. D16/202
- D640,720 S * 6/2011 Yoshii et al. D16/202
- D641,032 S * 7/2011 Yoshii D16/202

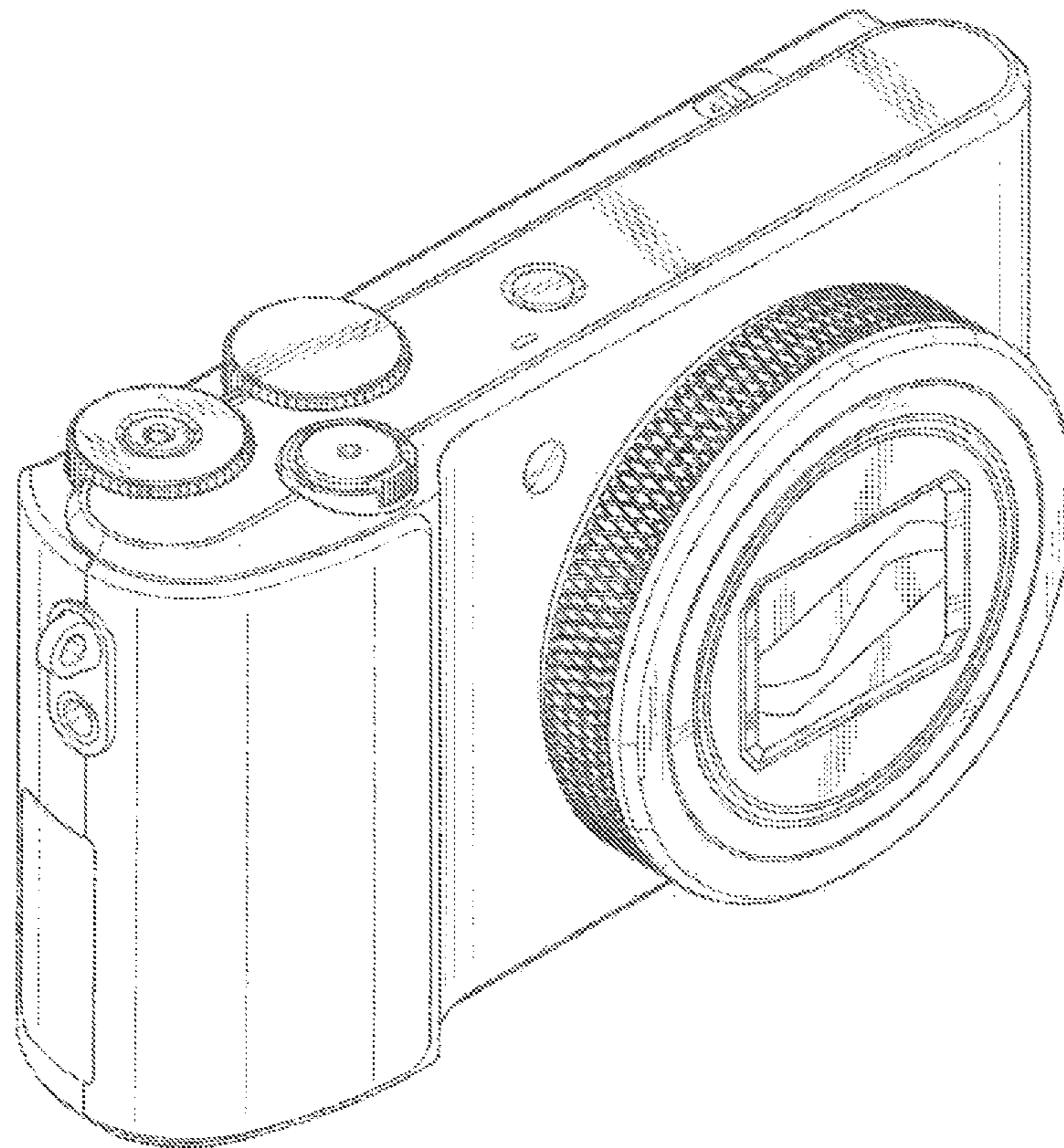


FIG. 1

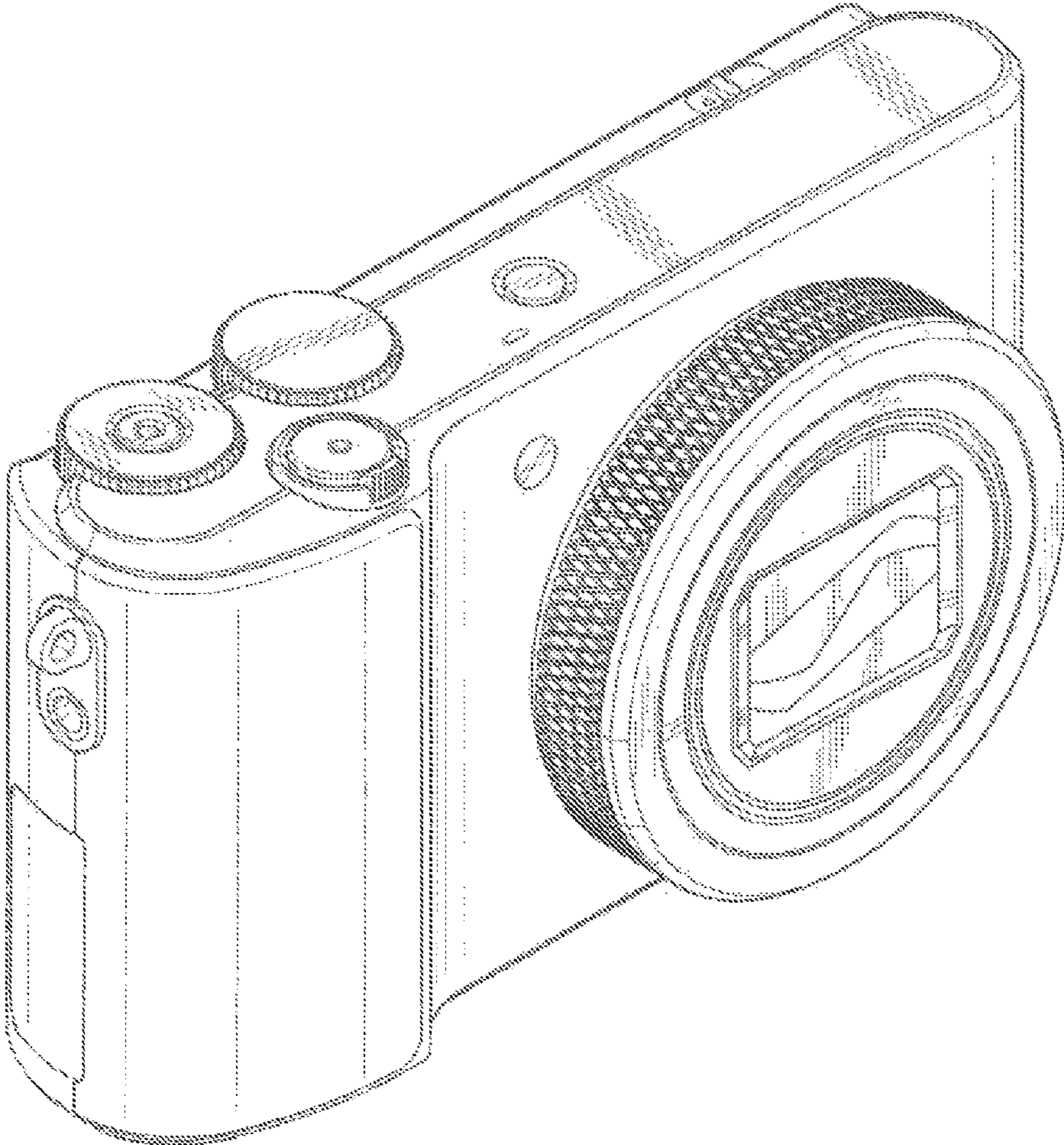


FIG. 2

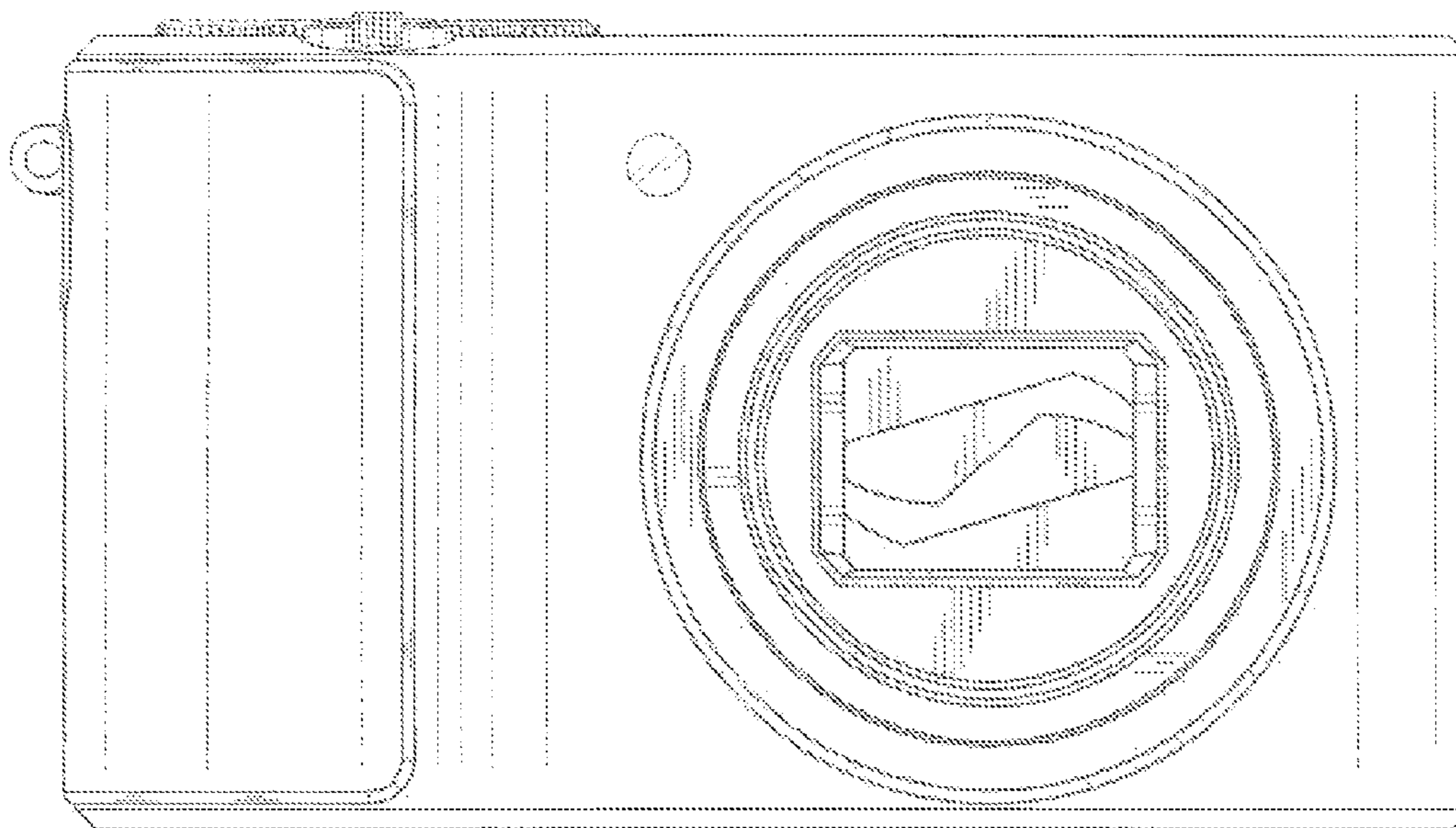


FIG. 3

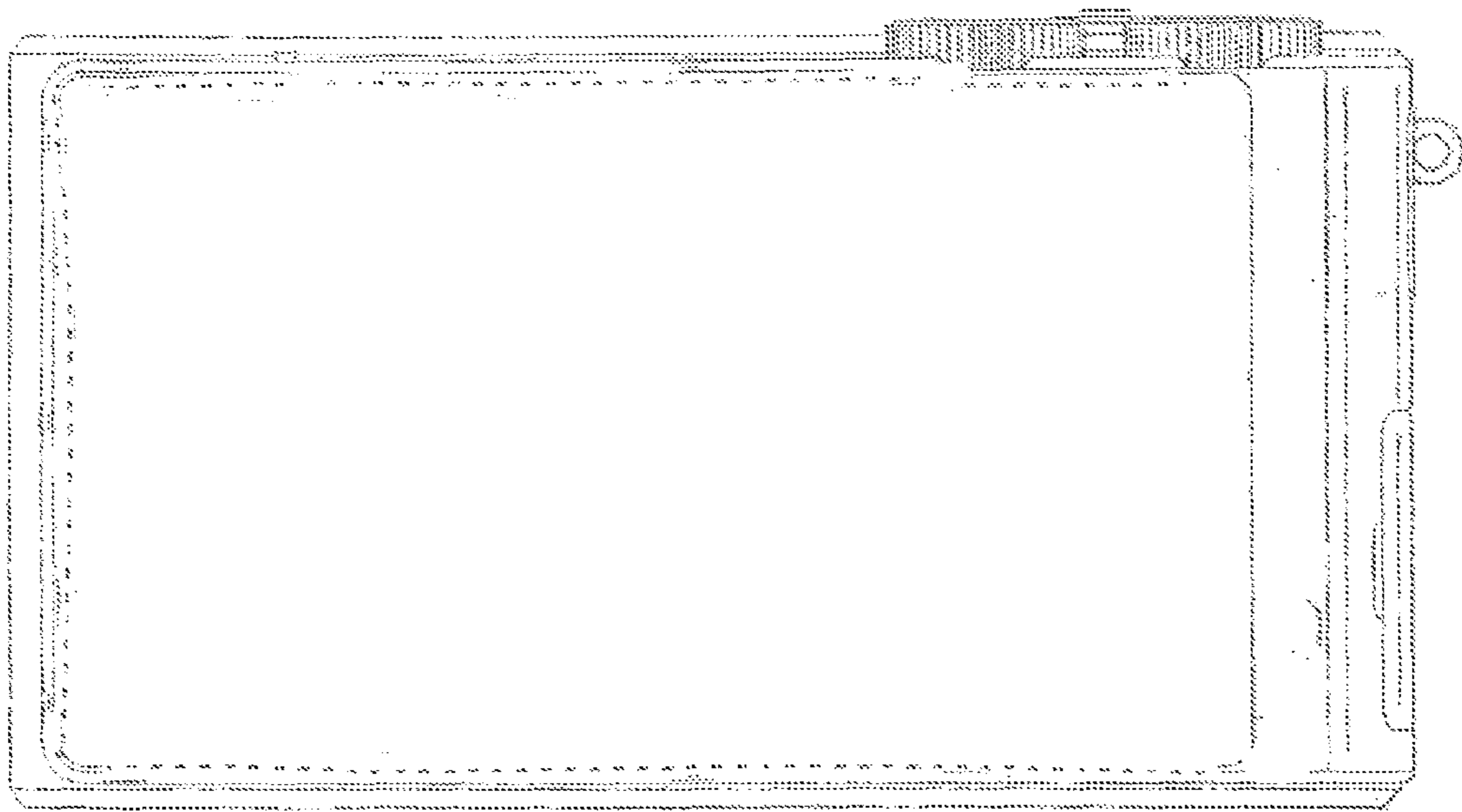


FIG. 4

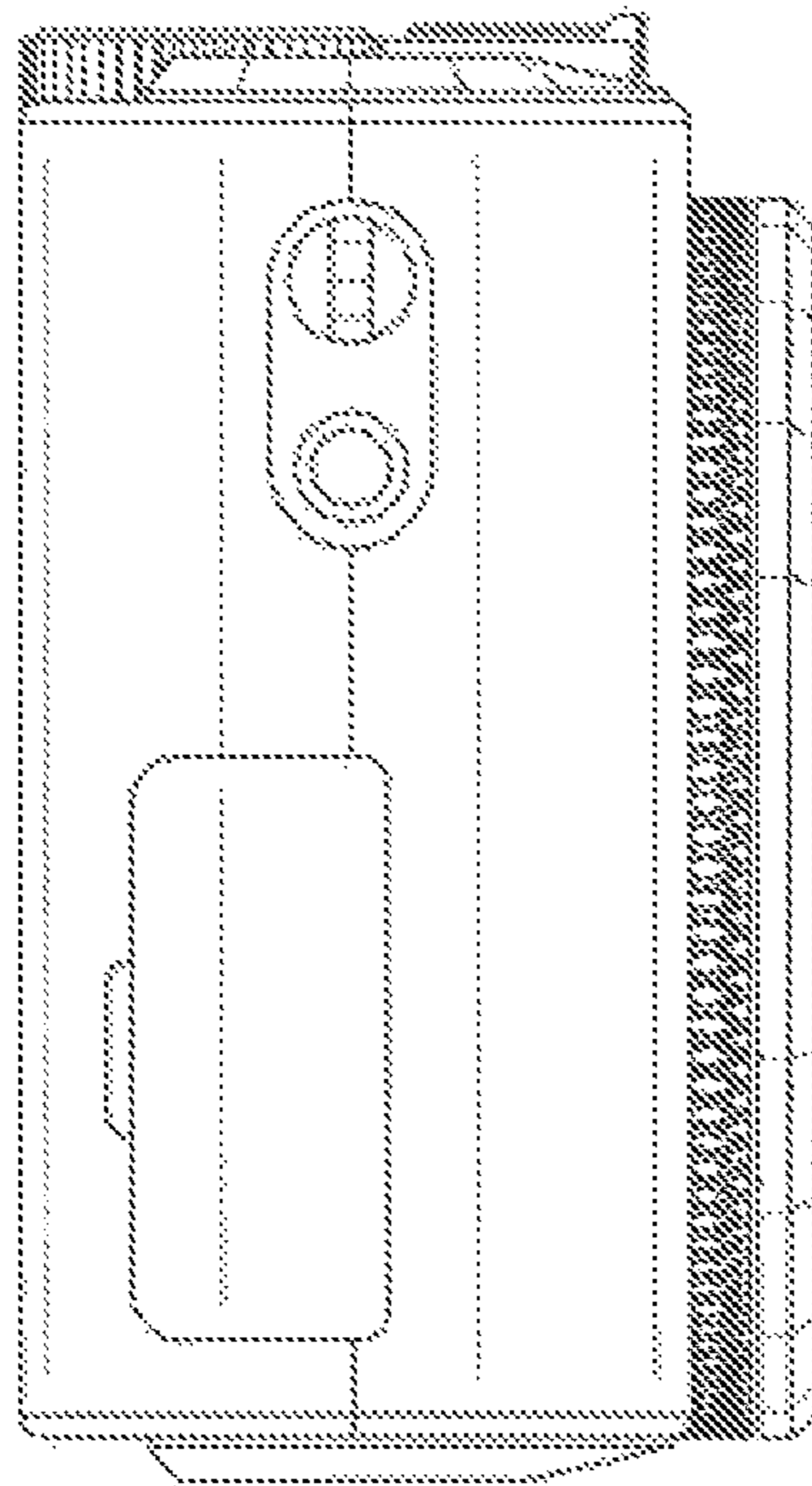


FIG. 3

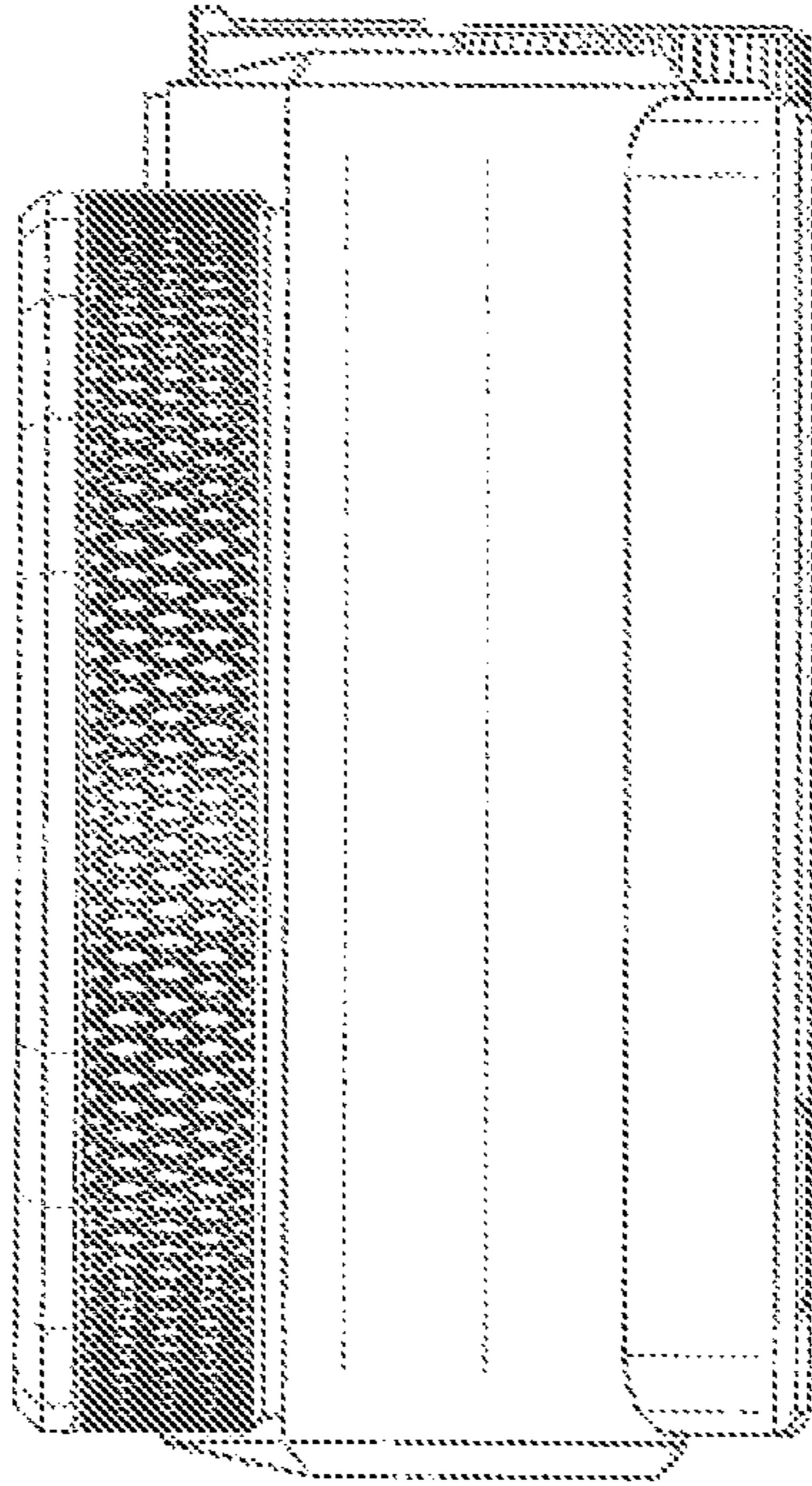


FIG. 6

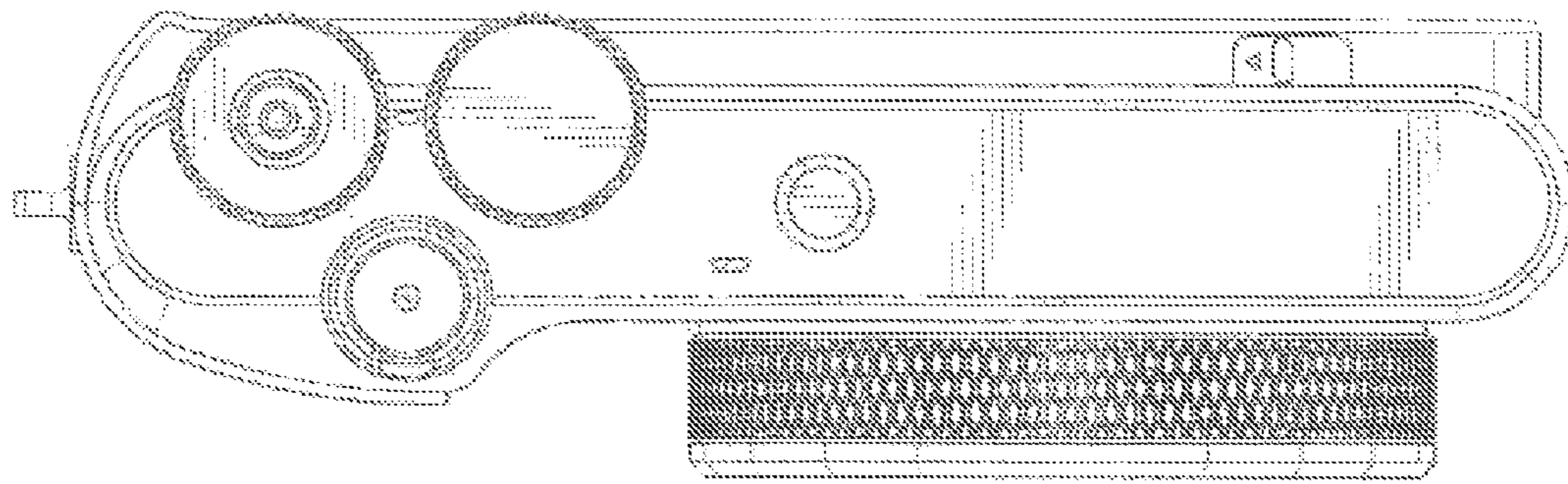


FIG. 7

