



US00D695798S

(12) **United States Design Patent**
Wu

(10) **Patent No.:** **US D695,798 S**
(45) **Date of Patent:** **** Dec. 17, 2013**

- (54) **ELECTRIC CYLINDER**
- (71) Applicant: **Timotion Technology Co., Ltd.**, New Taipei (TW)
- (72) Inventor: **Chou-Hsin Wu**, New Taipei (TW)
- (73) Assignee: **Timotion Technology Co., Ltd.**, New Taipei (TW)
- (**) Term: **14 Years**
- (21) Appl. No.: **29/443,602**
- (22) Filed: **Jan. 18, 2013**
- (51) **LOC (9) Cl.** **15-09**
- (52) **U.S. Cl.**
USPC **D15/143**
- (58) **Field of Classification Search**
USPC D13/118, 158, 162, 184; D15/5, 143, D15/149, 199; 74/89.15, 90.15, 411.5, 74/490.09; 91/275, 5 R, 88, 146; 92/8, 92/146, 161, 165 R; 277/DIG. 7; 297/325, 297/327; 310/20, 20.8, 80; 355/229; 384/43, 49
See application file for complete search history.

- D467,950 S * 12/2002 Christensen et al. D15/199
- D523,880 S * 6/2006 Christensen et al. D15/143
- D589,543 S * 3/2009 Lin et al. D15/143
- D595,753 S * 7/2009 Tseng D15/143
- D625,745 S * 10/2010 Chiang et al. D15/143
- D665,433 S * 8/2012 Beam et al. D15/143

* cited by examiner

Primary Examiner — Patricia Palasik

(74) *Attorney, Agent, or Firm* — Chun-Ming Shih; HDLS IPR Services

(57) **CLAIM**

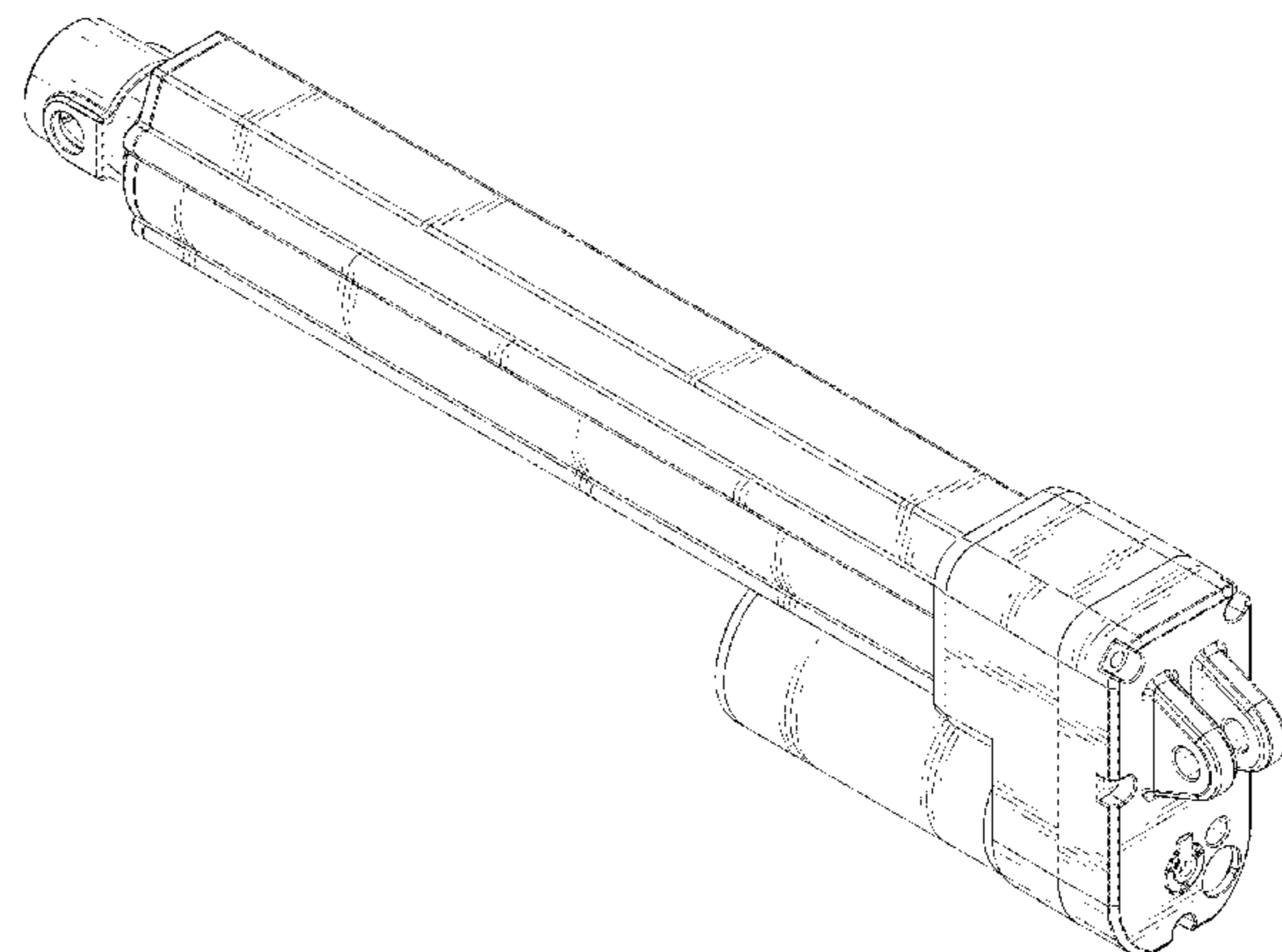
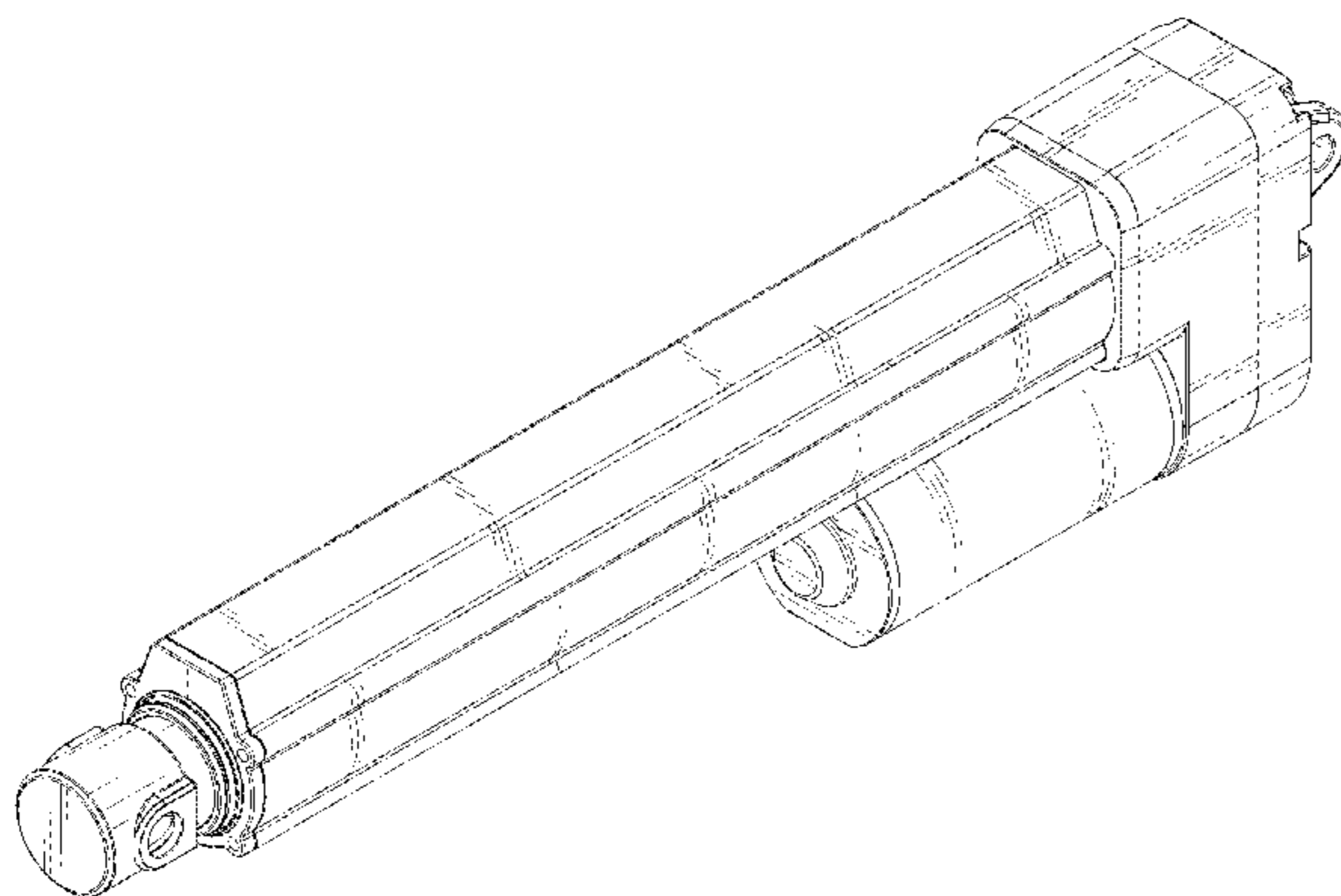
The ornamental design for an electric cylinder, as shown and described.

DESCRIPTION

FIG. 1 is a perspective view of an electric cylinder showing my new design;
 FIG. 2 is a front view thereof;
 FIG. 3 is a rear view thereof;
 FIG. 4 is a left side view thereof;
 FIG. 5 is a right side view thereof;
 FIG. 6 is a top view thereof;
 FIG. 7 is a bottom view thereof; and,
 FIG. 8 is another perspective view showing the electric cylinder; and,
 FIG. 9 is the other perspective view showing the electric cylinder.

1 Claim, 8 Drawing Sheets

- (56) **References Cited**
U.S. PATENT DOCUMENTS
D330,700 S * 11/1992 Wharton D13/158
D412,918 S * 8/1999 Nagai et al. D15/199



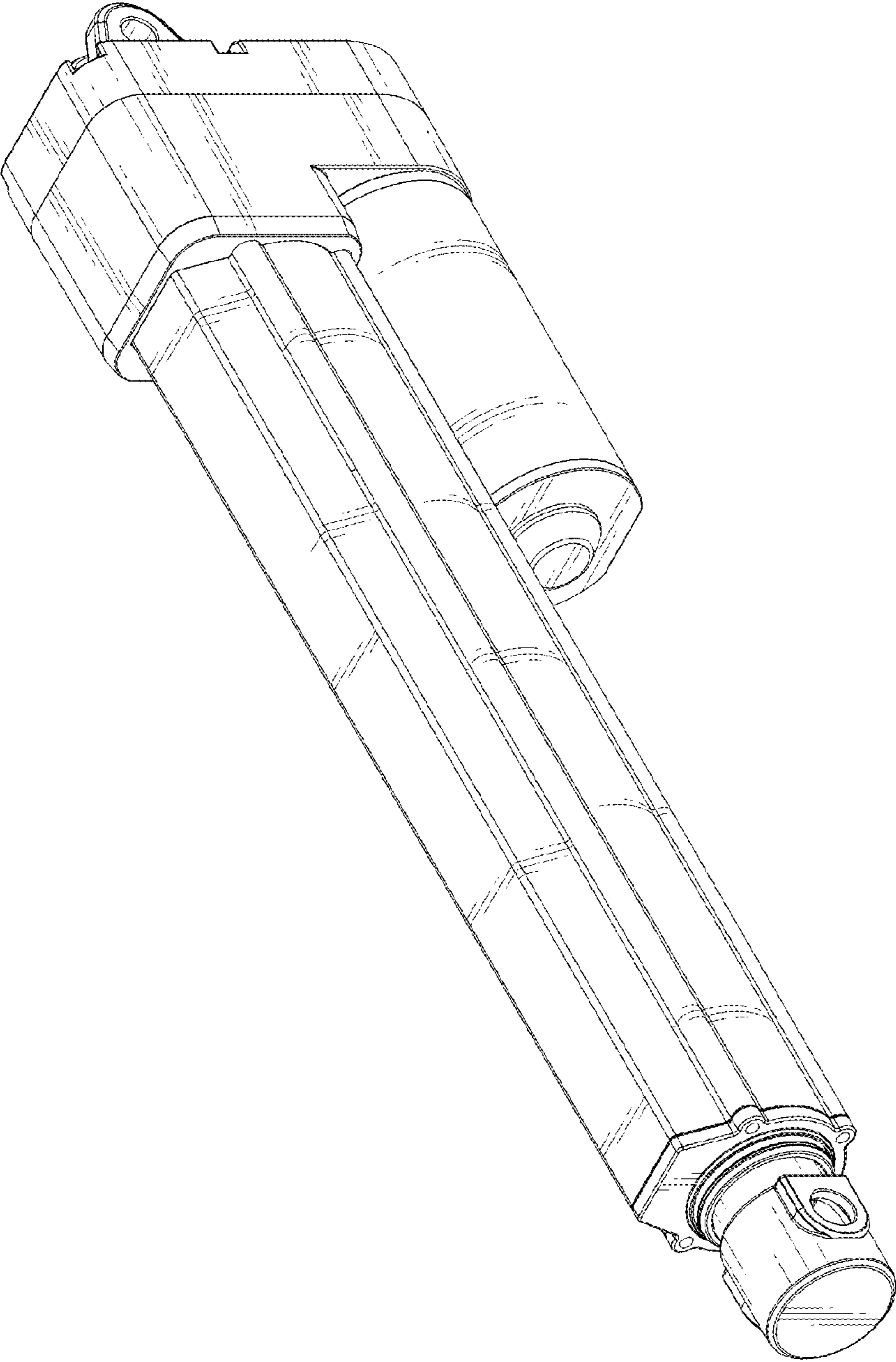


FIG.1

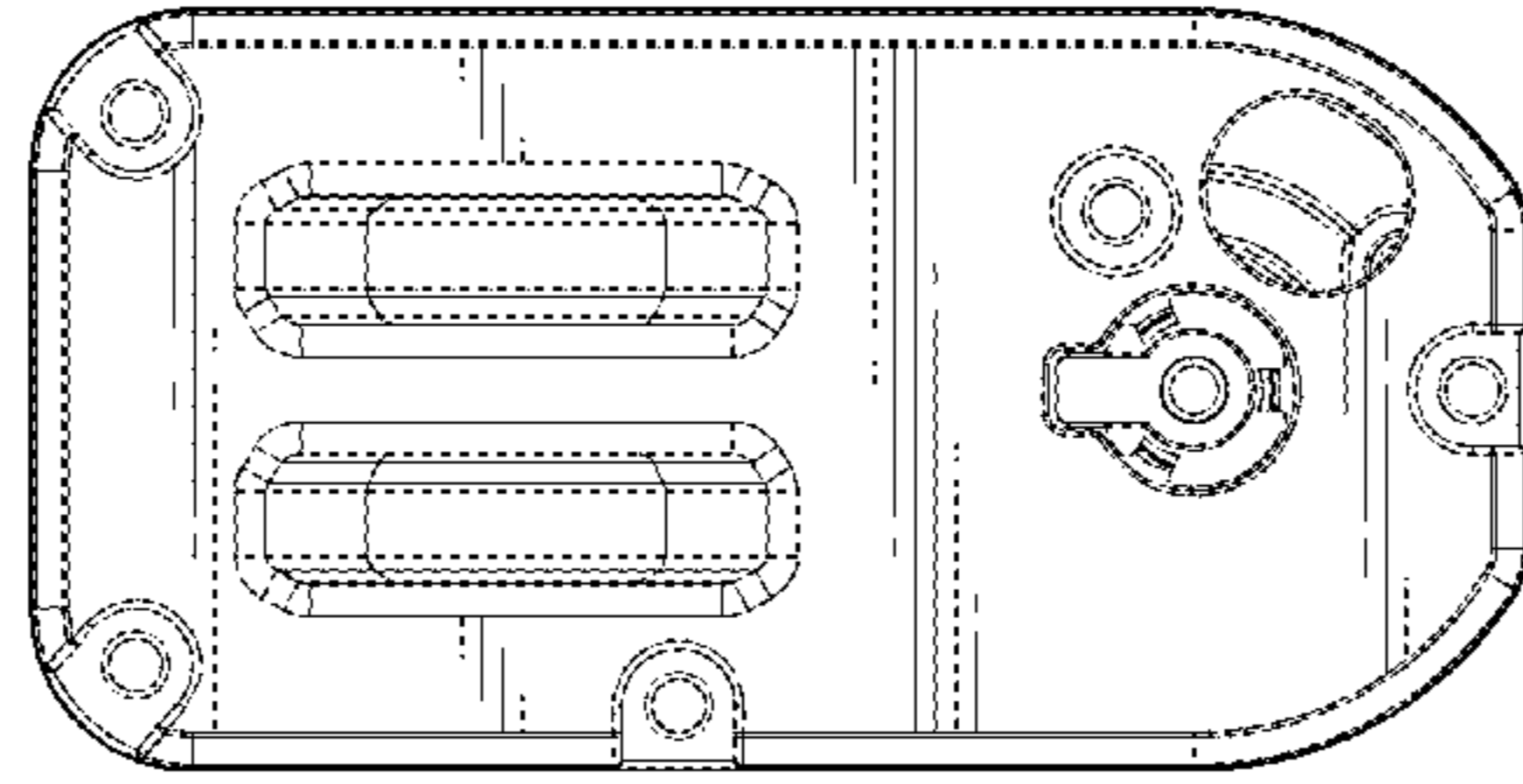


FIG. 3

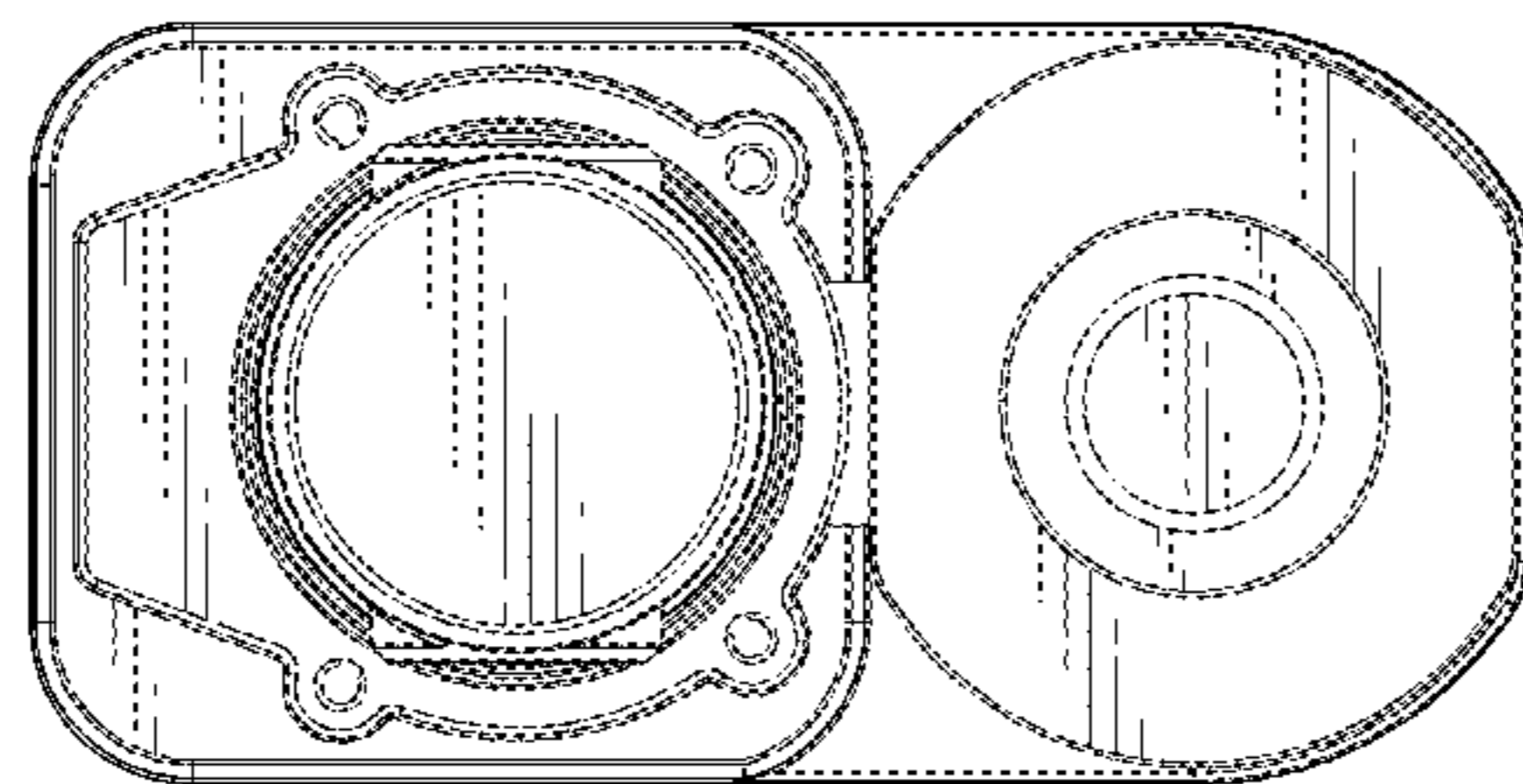


FIG. 2

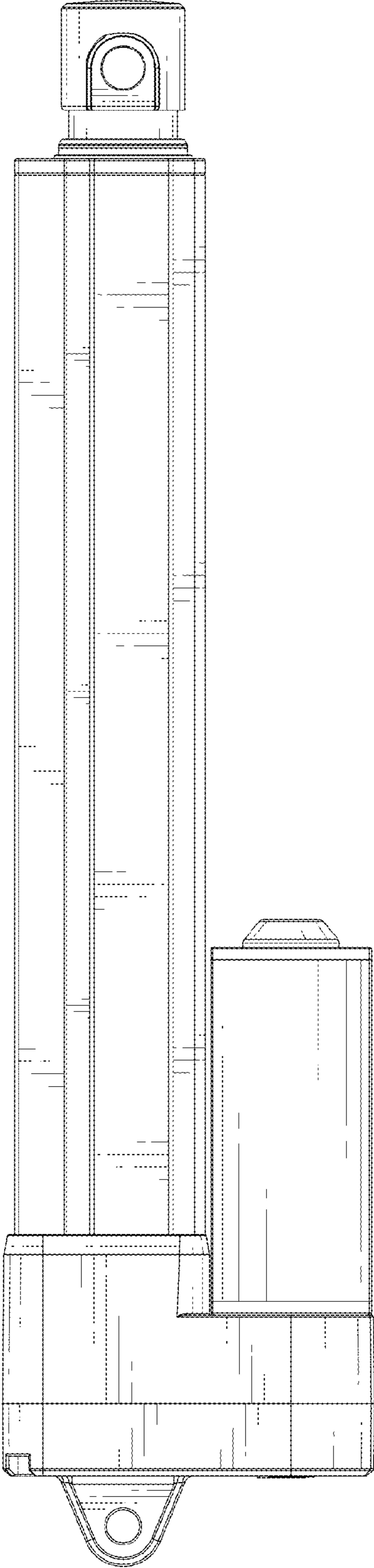


FIG.4

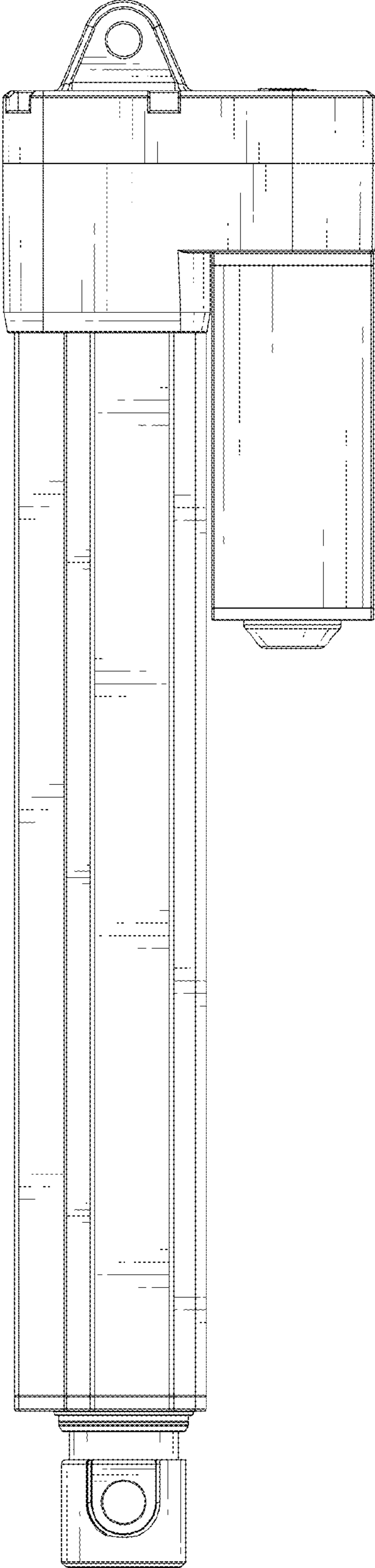


FIG.5

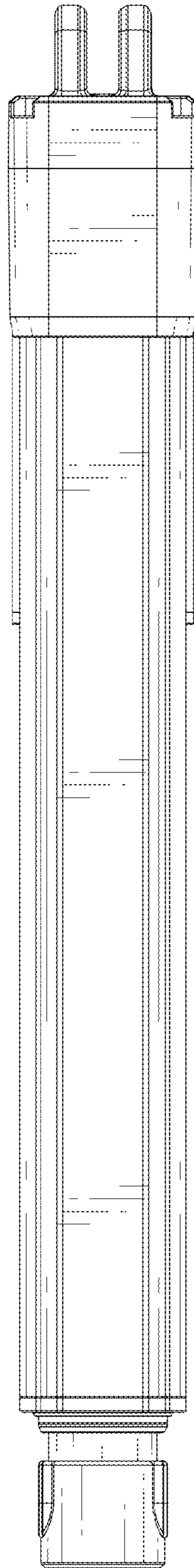


FIG.6

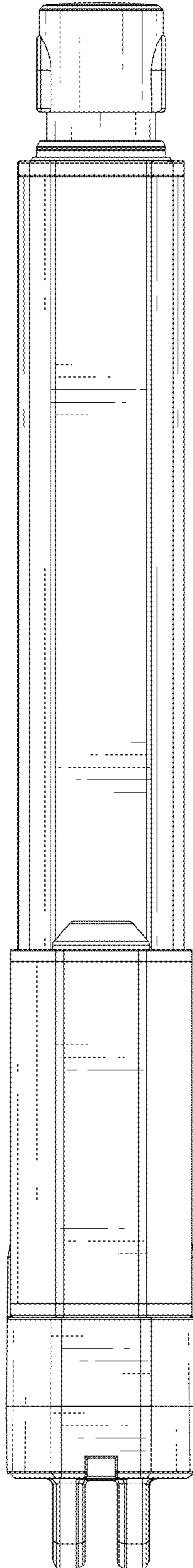


FIG.7

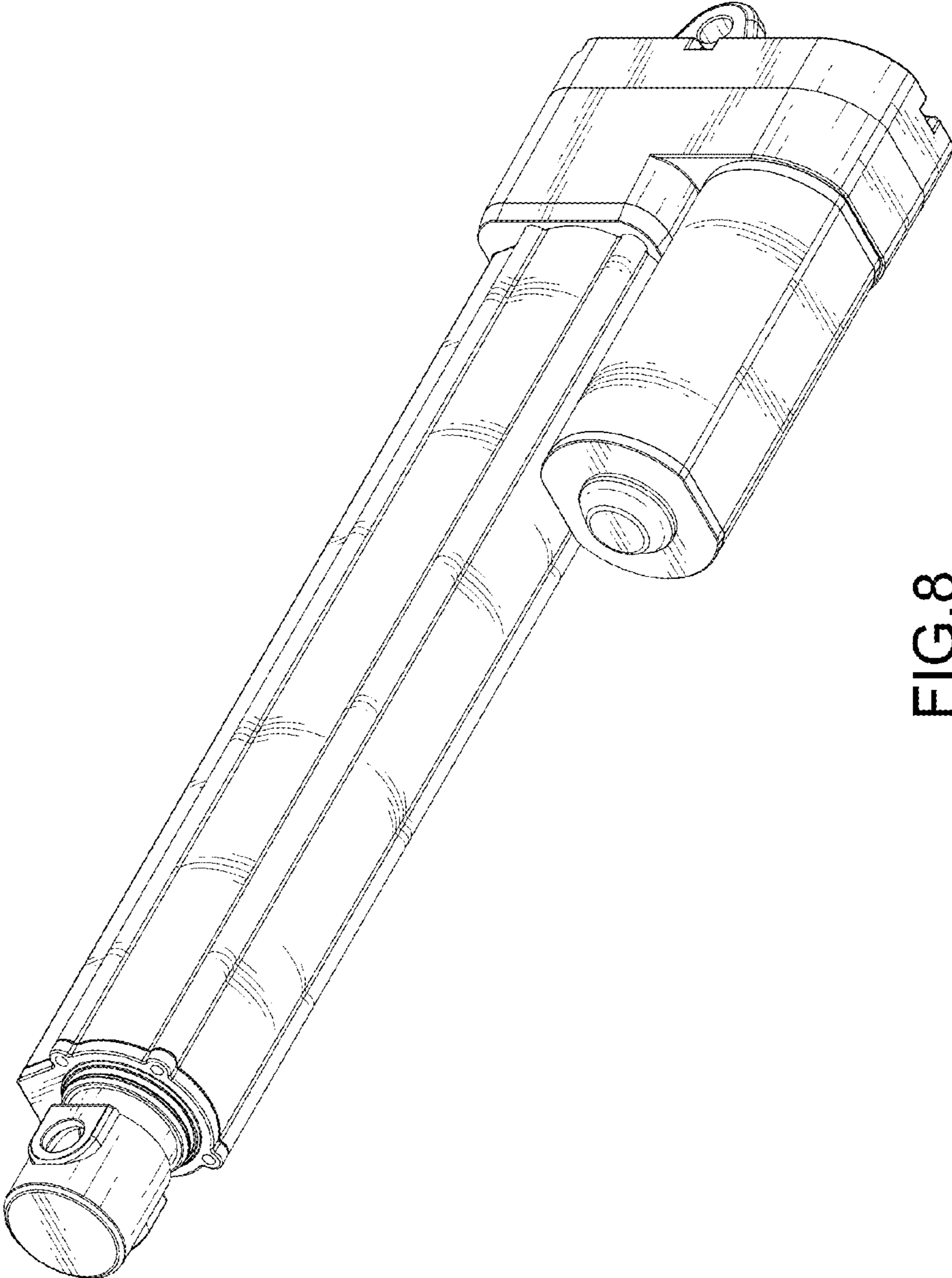


FIG. 8

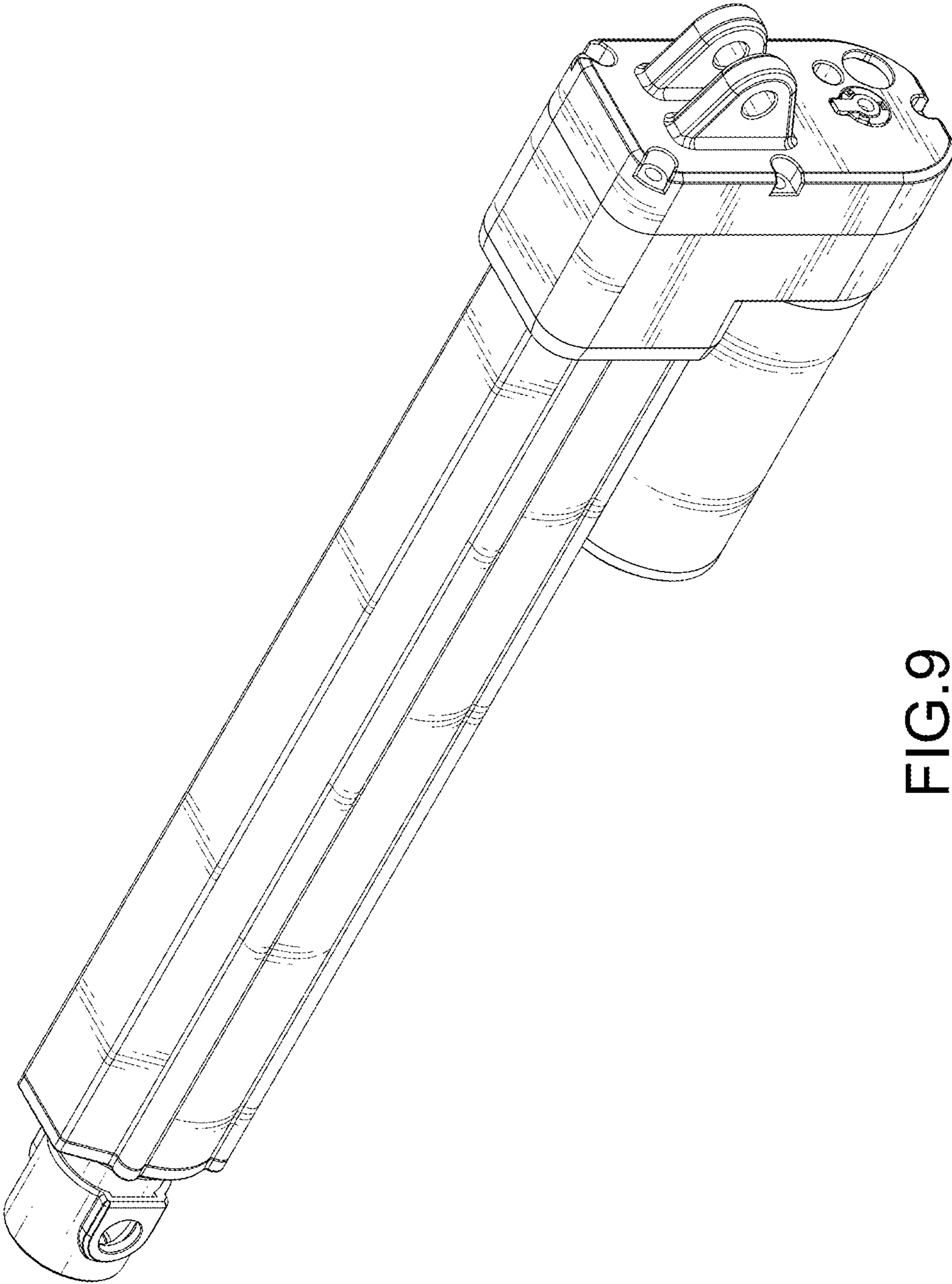


FIG. 9