



US00D695794S

(12) **United States Design Patent**
Asano et al.

(10) **Patent No.:** **US D695,794 S**
(45) **Date of Patent:** **** Dec. 17, 2013**

(54) **FOOT CONTROLLER FOR SEWING MACHINE**

(75) Inventors: **Masahide Asano**, Nagoya (JP);
Mitsuharu Hattori, Nagoya (JP)

(73) Assignee: **Brother Industries, Ltd.**, Nagoya-Shi (JP)

(**) Term: **14 Years**

(21) Appl. No.: **29/424,659**

(22) Filed: **Jun. 14, 2012**

(51) **LOC (9) Cl.** **15-06**

(52) **U.S. Cl.**
USPC **D15/72**

(58) **Field of Classification Search**
USPC D15/66-78; D13/167; 112/217.2,
112/217.4, 270, 277, 275; 84/426, 229
See application file for complete search history.

(56) **References Cited**

U.S. PATENT DOCUMENTS

D127,927 S *	6/1941	Simonds	D13/167
D237,112 S *	10/1975	Current	D15/72
D246,649 S *	12/1977	Braaten	D13/167
D249,505 S *	9/1978	Di Bonaventura	D13/167
D260,524 S *	9/1981	Satoh	D13/167
4,299,182 A *	11/1981	Tanaka	112/277
D264,848 S *	6/1982	Hanyu	D13/167
D271,106 S *	10/1983	Hanyu	D15/72
D332,103 S *	12/1992	Off et al.	D15/72
5,540,160 A *	7/1996	Rea	112/217.2
D476,630 S *	7/2003	Moll et al.	D13/167
D478,874 S *	8/2003	Moll et al.	D13/167

* cited by examiner

Primary Examiner — Mitchell Siegel

(74) *Attorney, Agent, or Firm* — Oliff & Berridge, PLC

(57) **CLAIM**

The ornamental design for a foot controller for sewing machine, as shown and described.

DESCRIPTION

FIG. 1 is a perspective view of a first embodiment of a foot controller for sewing machine;
 FIG. 2 is a front view thereof;
 FIG. 3 is a top view thereof;
 FIG. 4 is a right-side view thereof;
 FIG. 5 is a left-side view thereof;
 FIG. 6 is a rear view thereof;
 FIG. 7 is a bottom view thereof;
 FIG. 8 is another perspective view thereof;
 FIG. 9 is another front view thereof according to a second embodiment;
 FIG. 10 is another top view thereof according to the second embodiment;
 FIG. 11 is another right-side view thereof according to the second embodiment;
 FIG. 12 is another left-side view thereof according to the second embodiment;
 FIG. 13 is another rear view thereof according to the second embodiment;
 FIG. 14 is another front view thereof according to a third embodiment;
 FIG. 15 is another top view thereof according to the third embodiment;
 FIG. 16 is another right-side view thereof according to the third embodiment;
 FIG. 17 is another left-side view thereof according to the third embodiment;
 FIG. 18 is another rear view thereof according to the third embodiment;
 FIG. 19 is another front view thereof according to a fourth embodiment;
 FIG. 20 is another top view thereof according to the fourth embodiment;
 FIG. 21 is another right-side view thereof according to the fourth embodiment;
 FIG. 22 is another left-side view thereof according to the fourth embodiment;

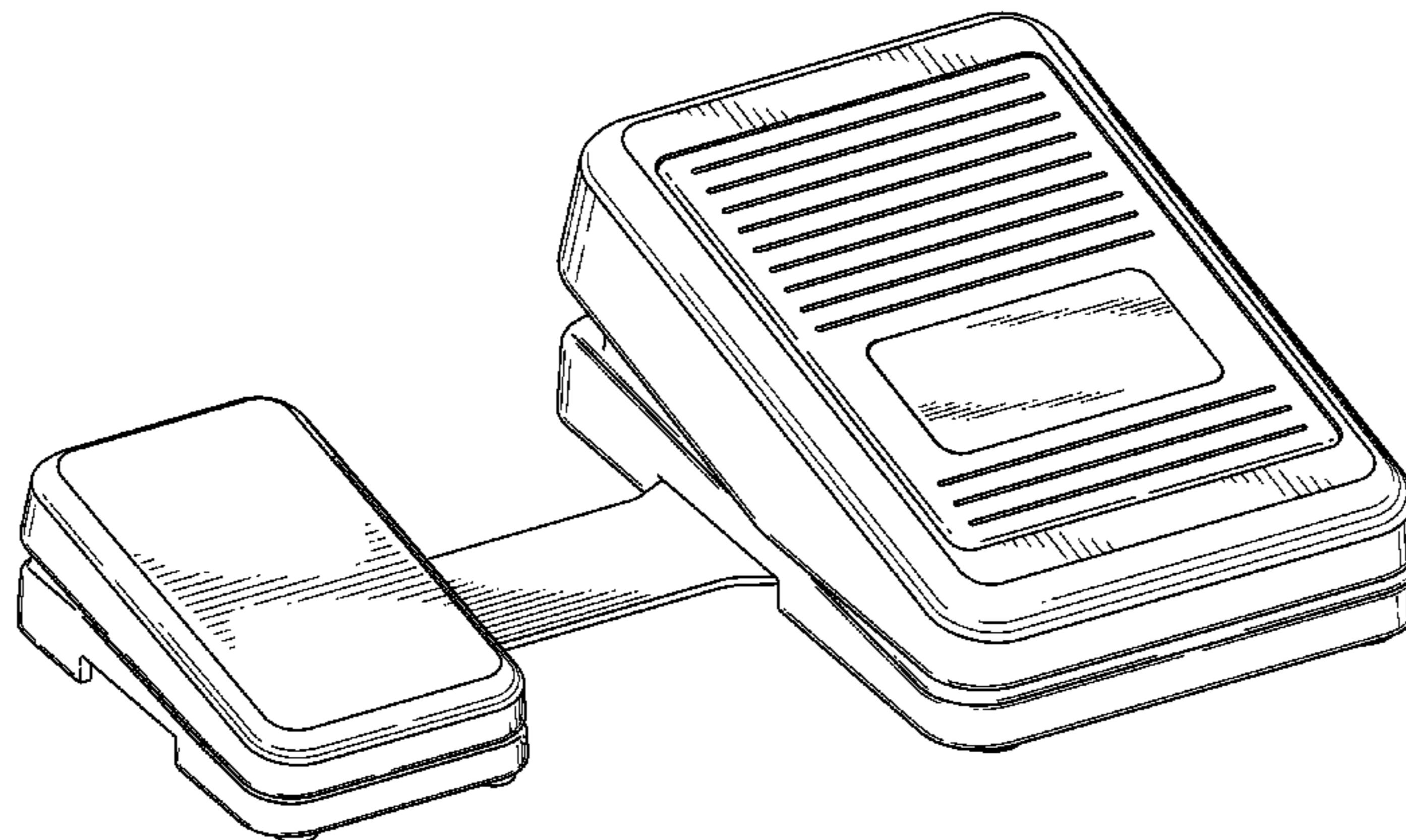


FIG. **23** is another rear view thereof according to the fourth embodiment;

FIG. **24** is another front view thereof according to a fifth embodiment;

FIG. **25** is another top view thereof according to the fifth embodiment;

FIG. **26** is another right-side view thereof according to the fifth embodiment;

FIG. **27** is another left-side view thereof according to the fifth embodiment;

FIG. **28** is another rear view thereof according to the fifth embodiment;

FIG. **29** is another front view thereof according to a sixth embodiment;

FIG. **30** is another top view thereof according to the sixth embodiment;

FIG. **31** is another right-side view thereof according to the sixth embodiment;

FIG. **32** is another left-side view thereof according to the sixth embodiment; and,

FIG. **33** is another rear view thereof according to the sixth embodiment.

The broken lines depict unclaimed portions only and form no part of the claimed design.

1 Claim, 27 Drawing Sheets

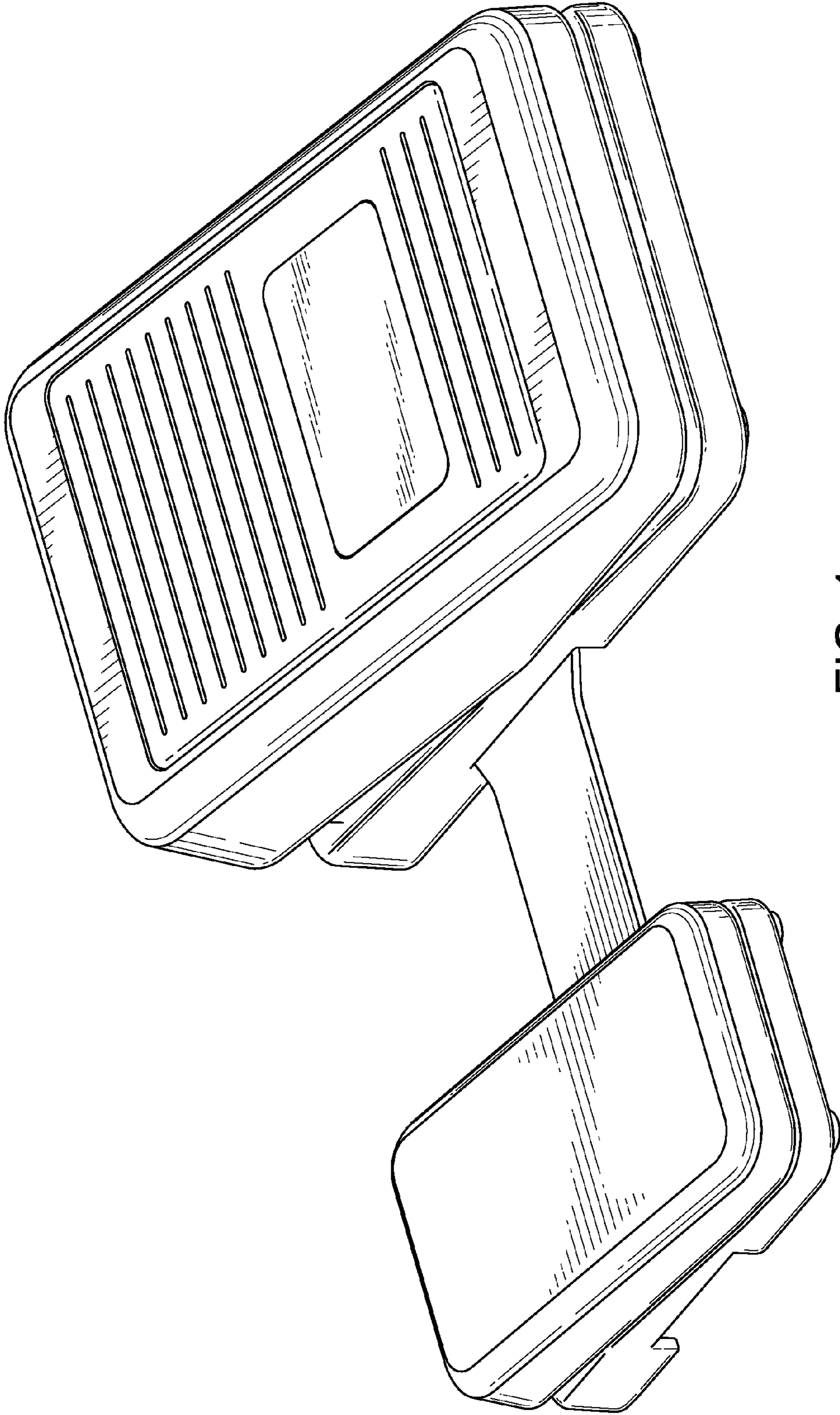


FIG. 1

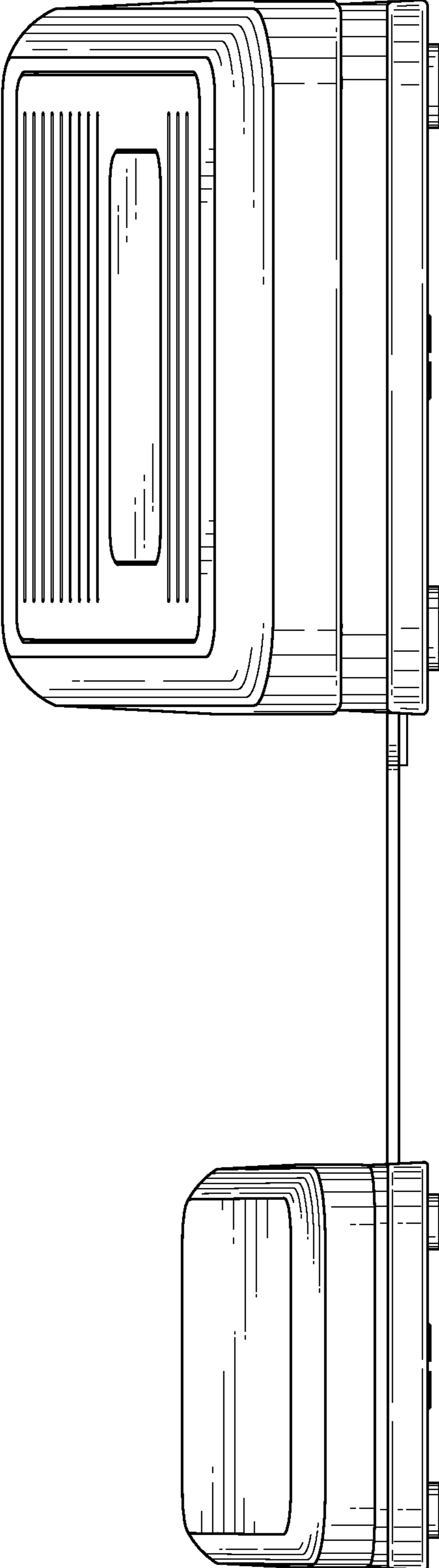


FIG. 2

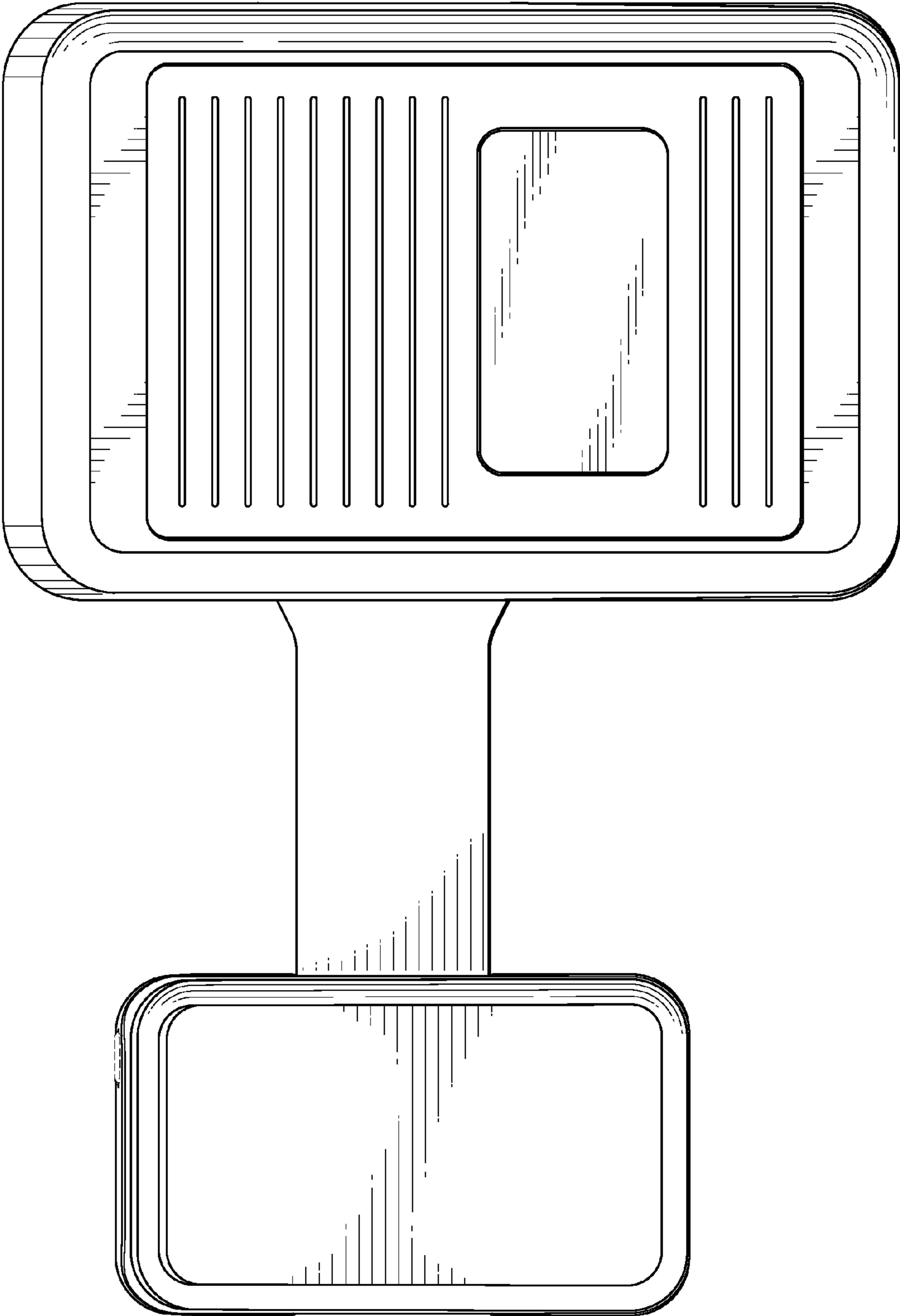


FIG. 3

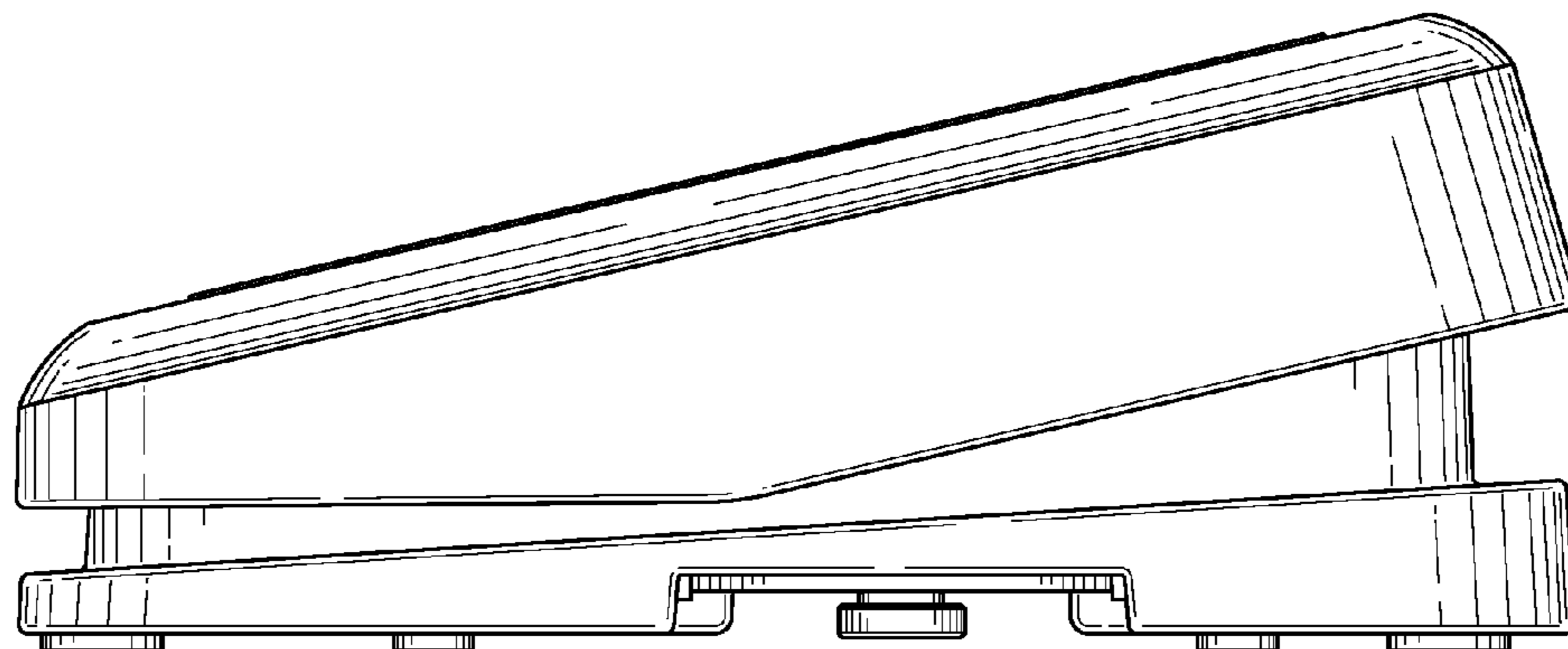


FIG. 4

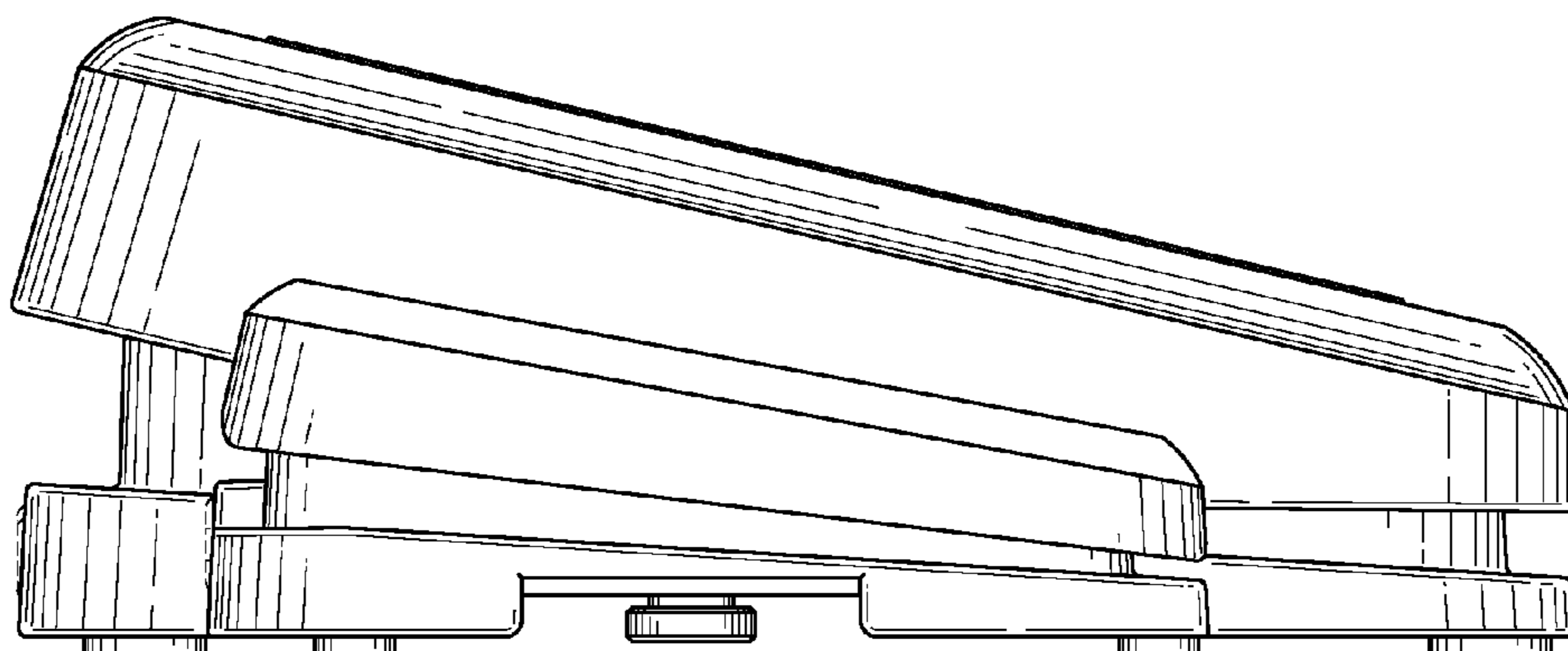


FIG. 5

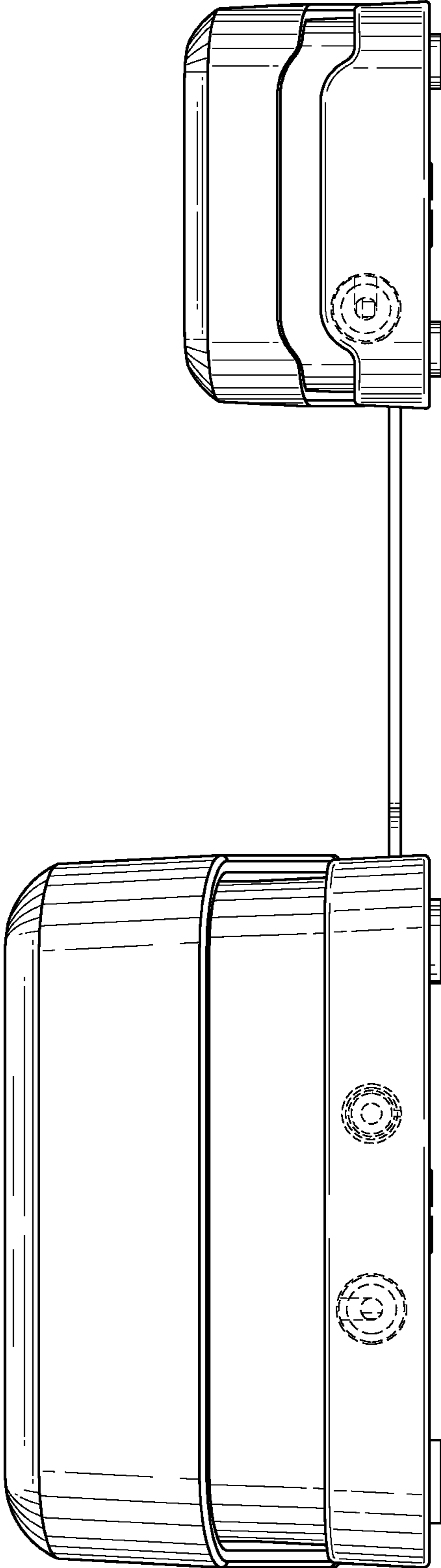


FIG. 6

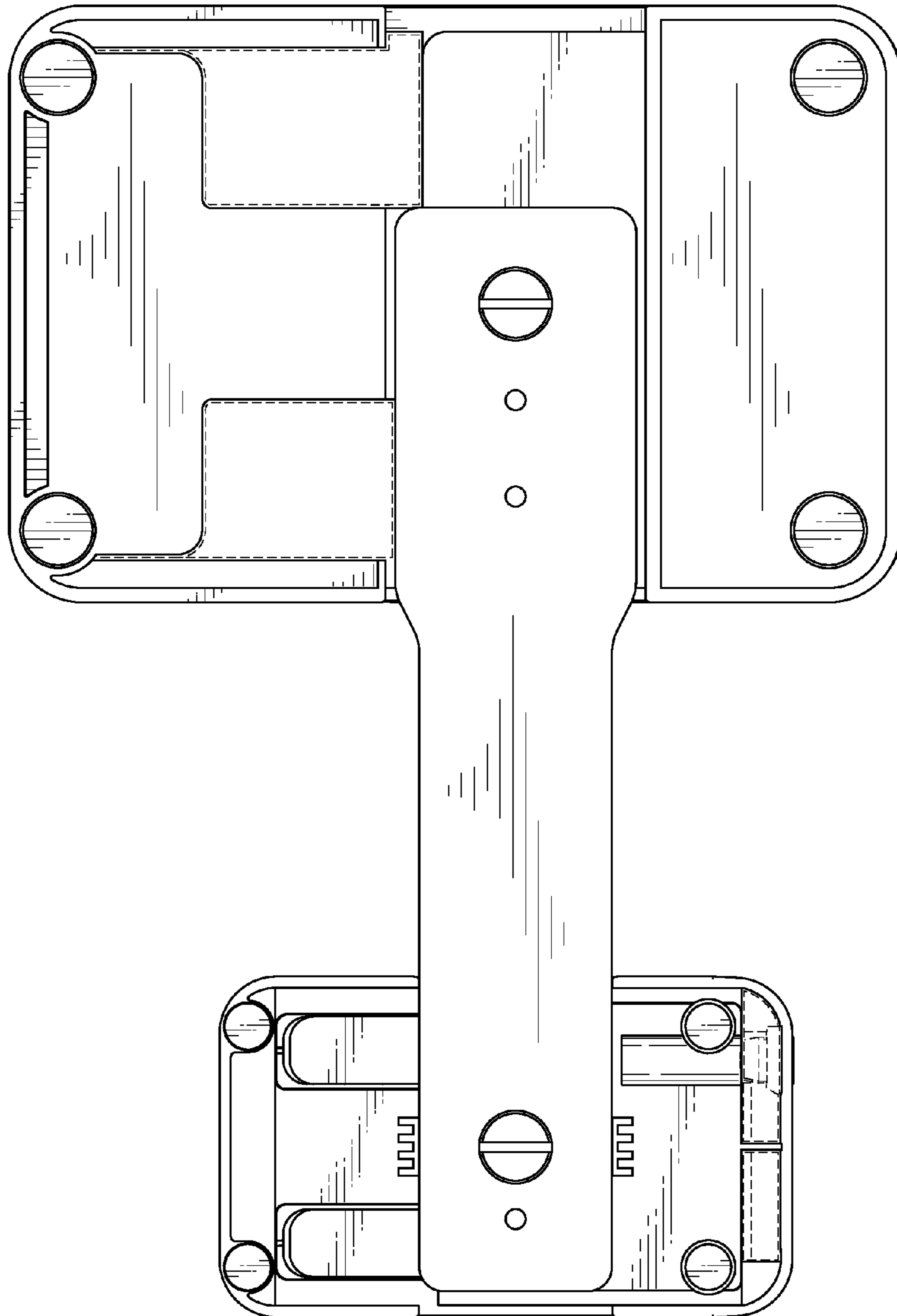


FIG. 7

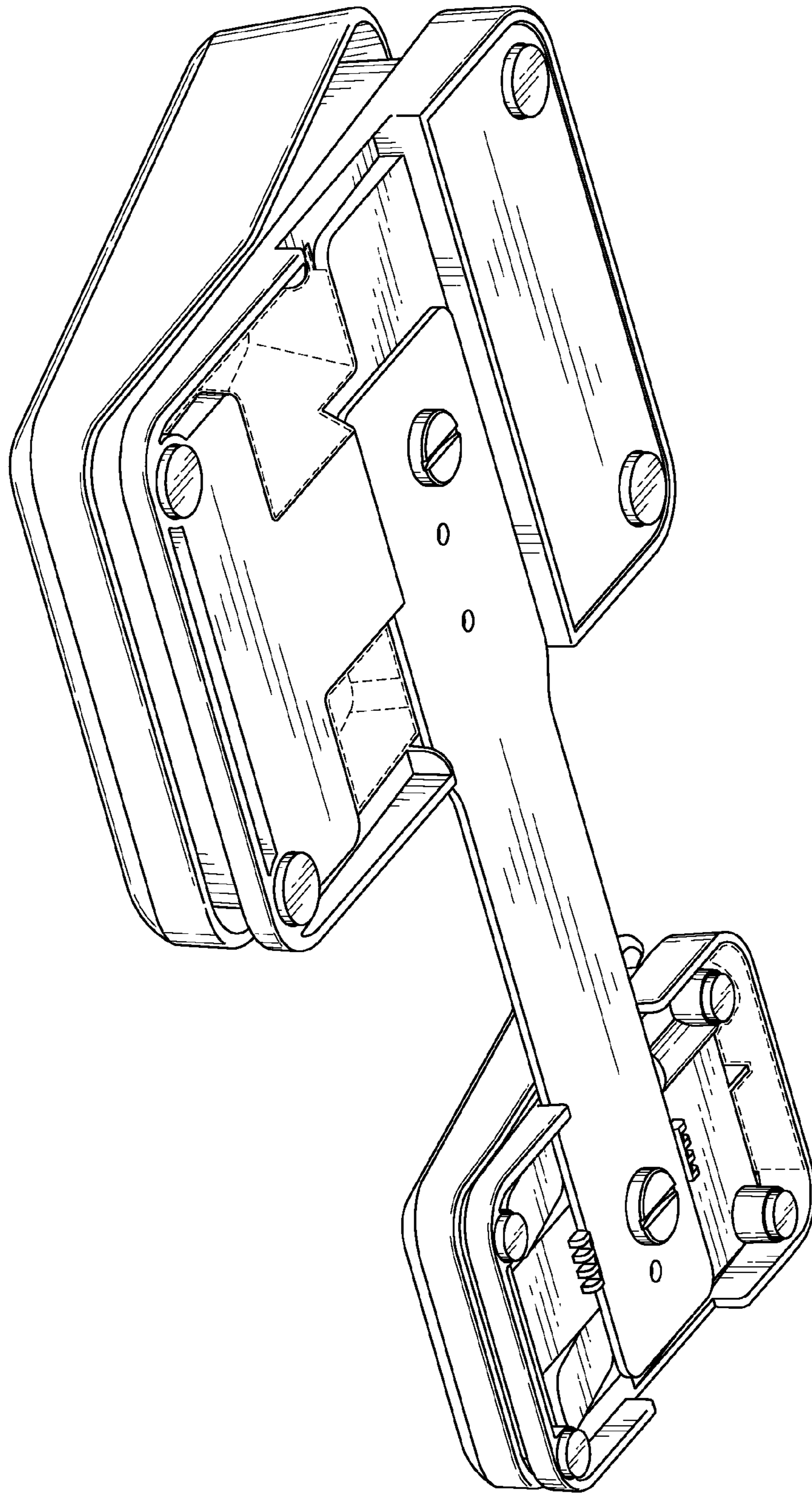


FIG. 8

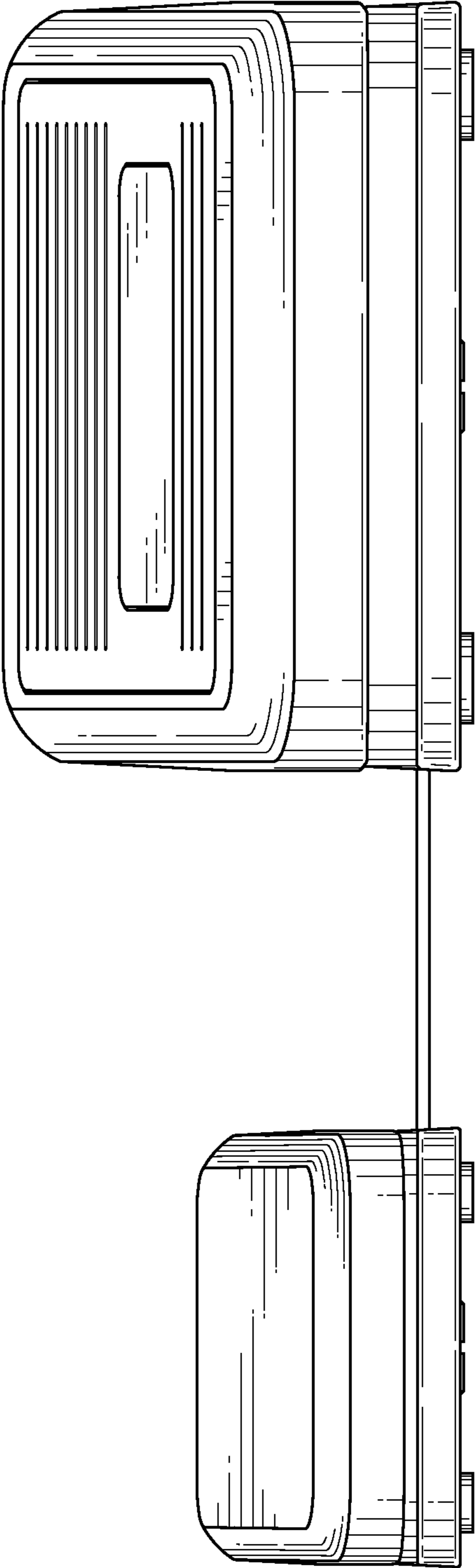


FIG. 9

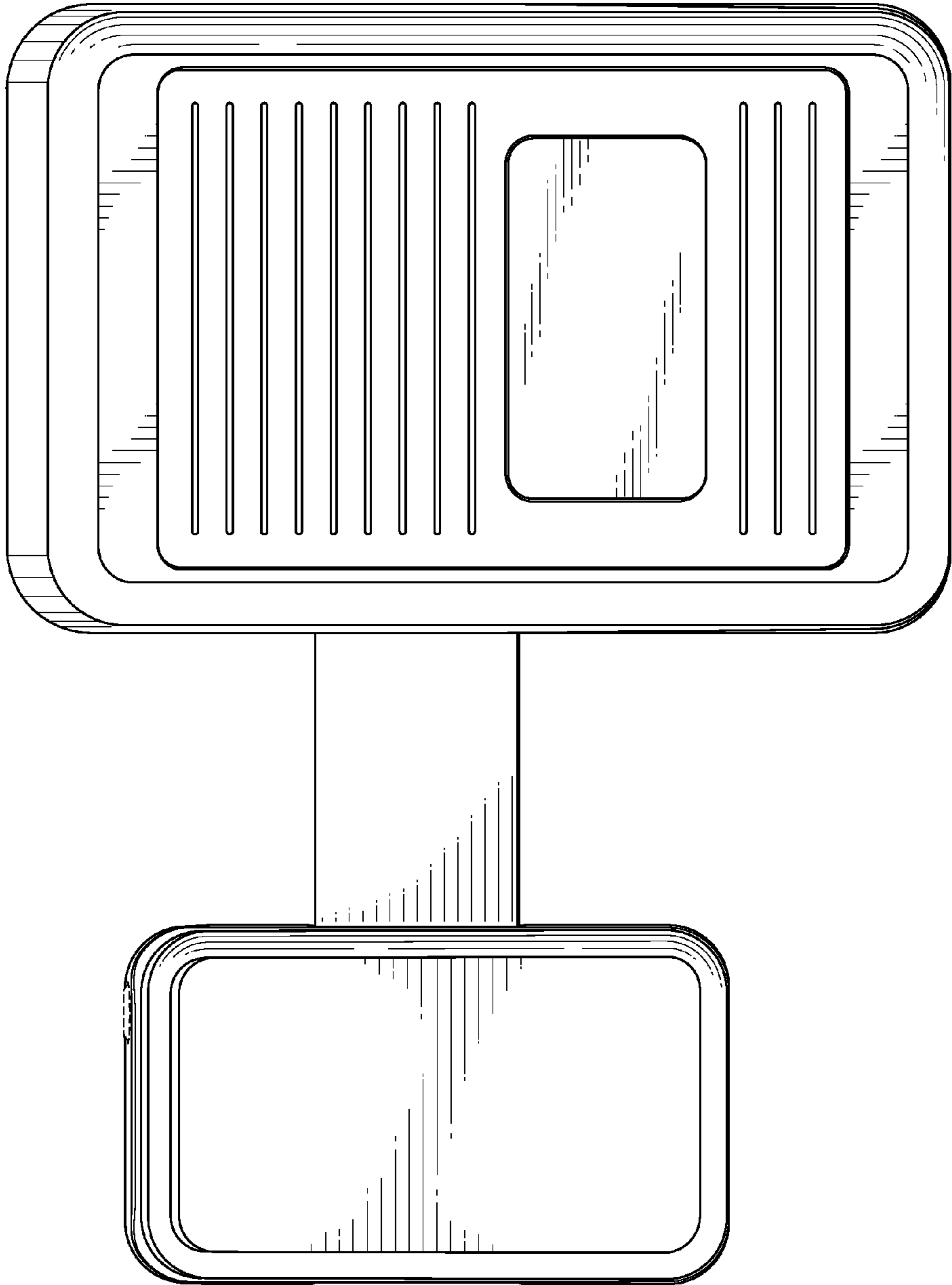


FIG. 10

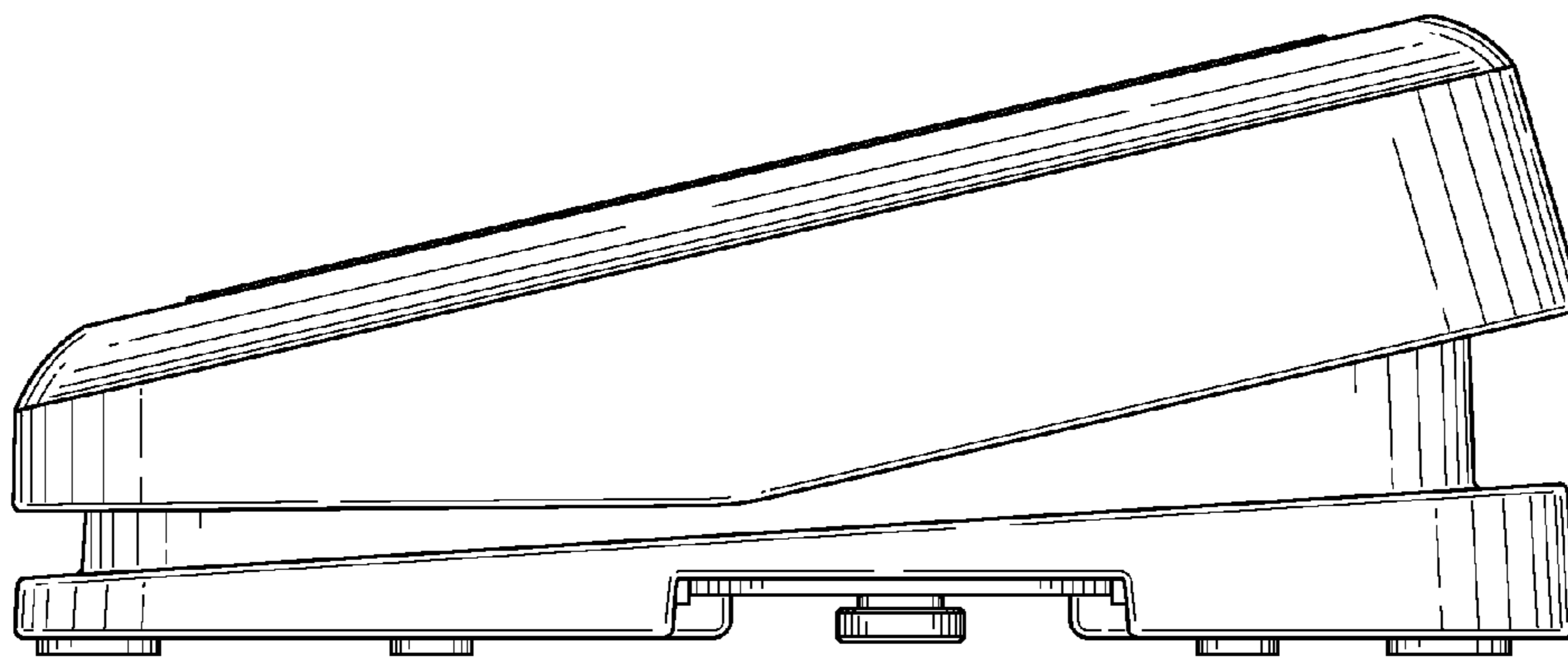


FIG. 11

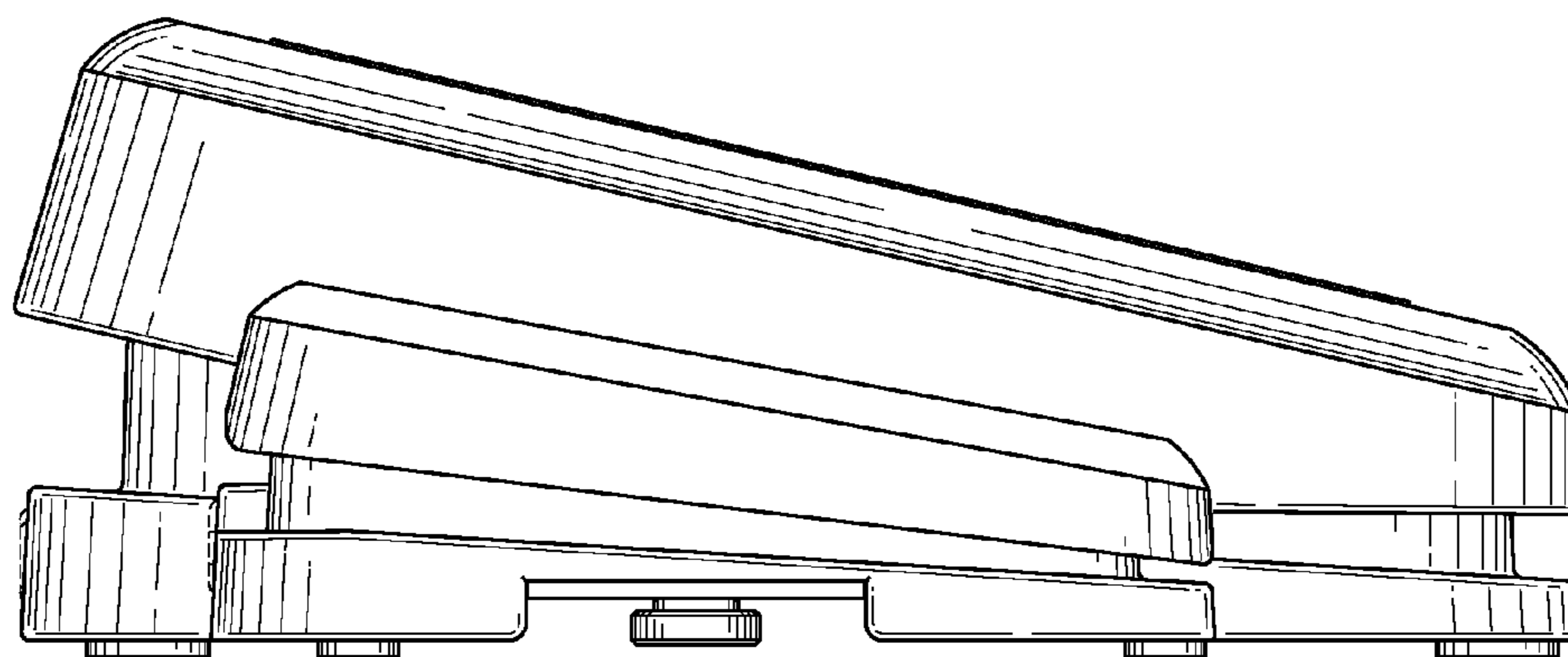


FIG. 12

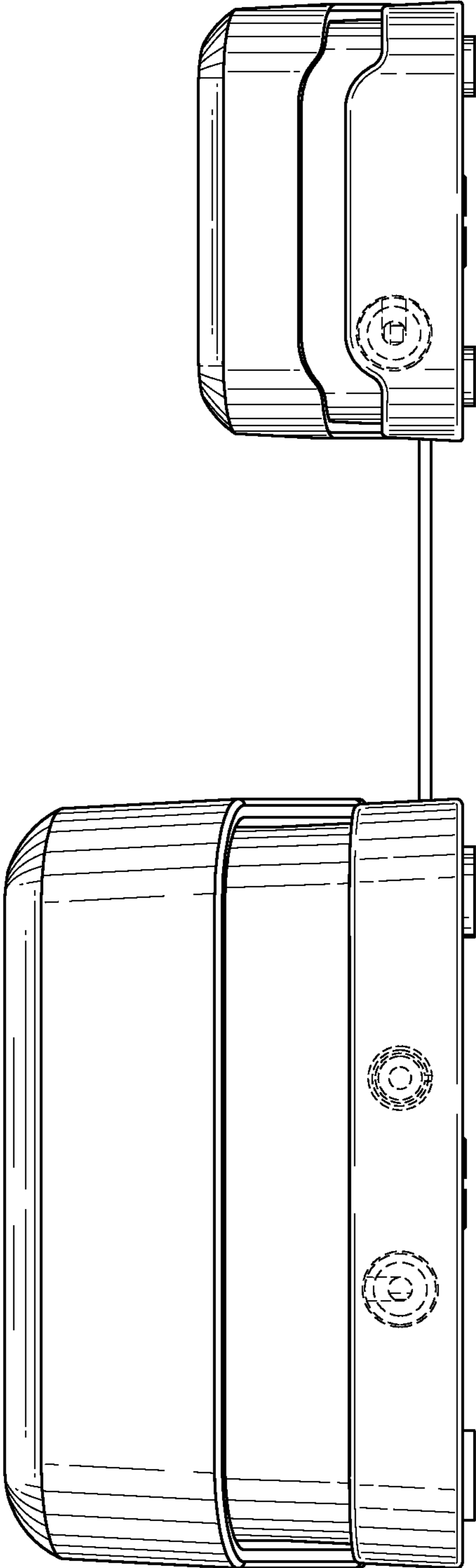


FIG. 13

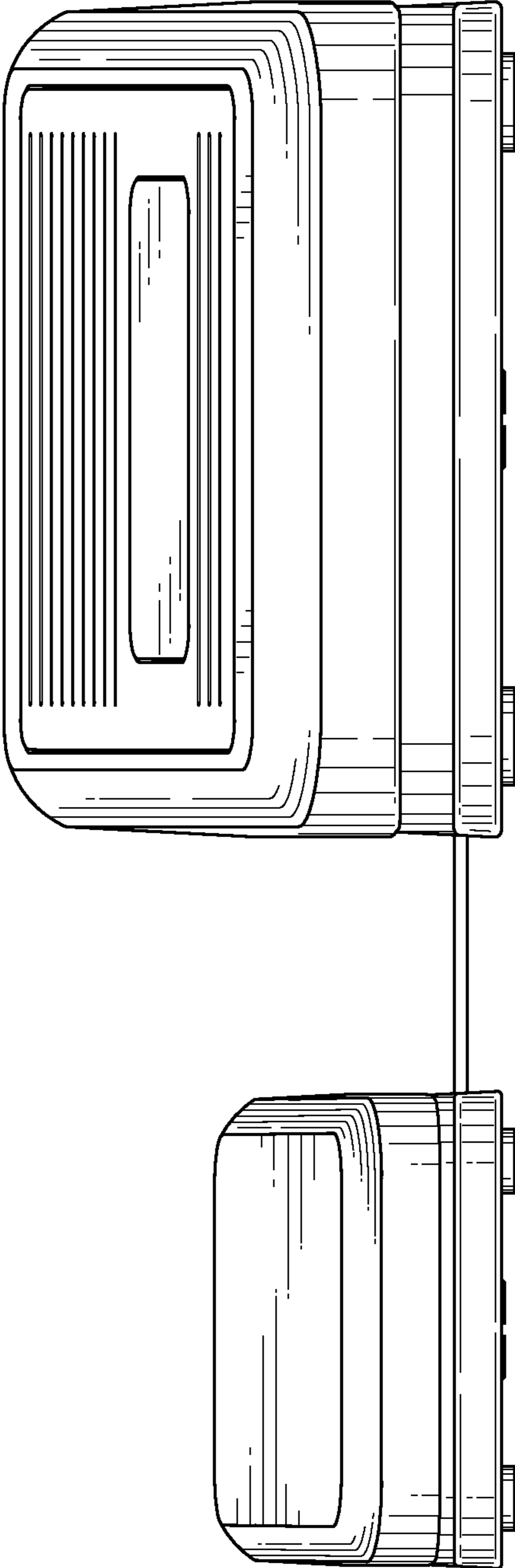


FIG. 14

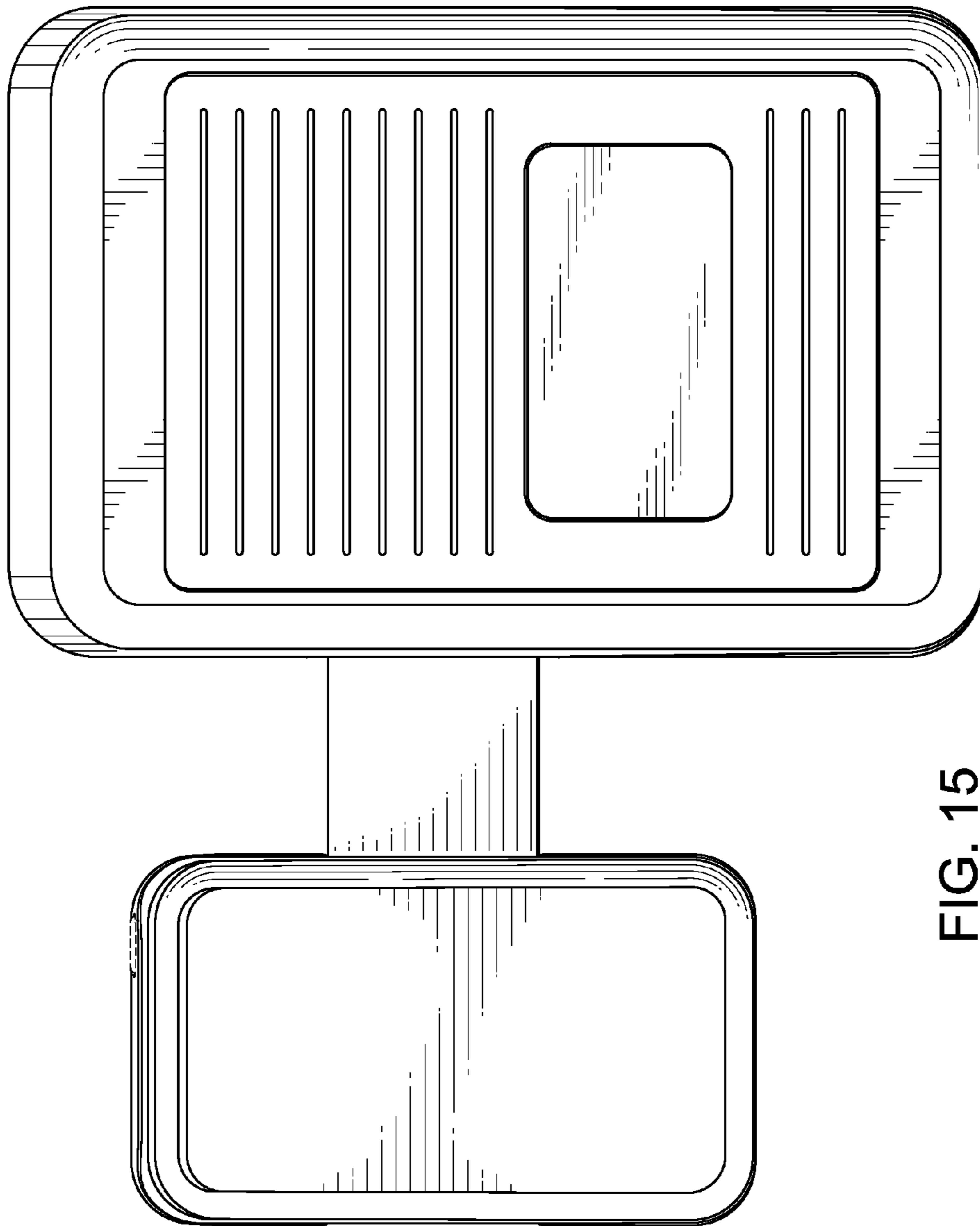


FIG. 15

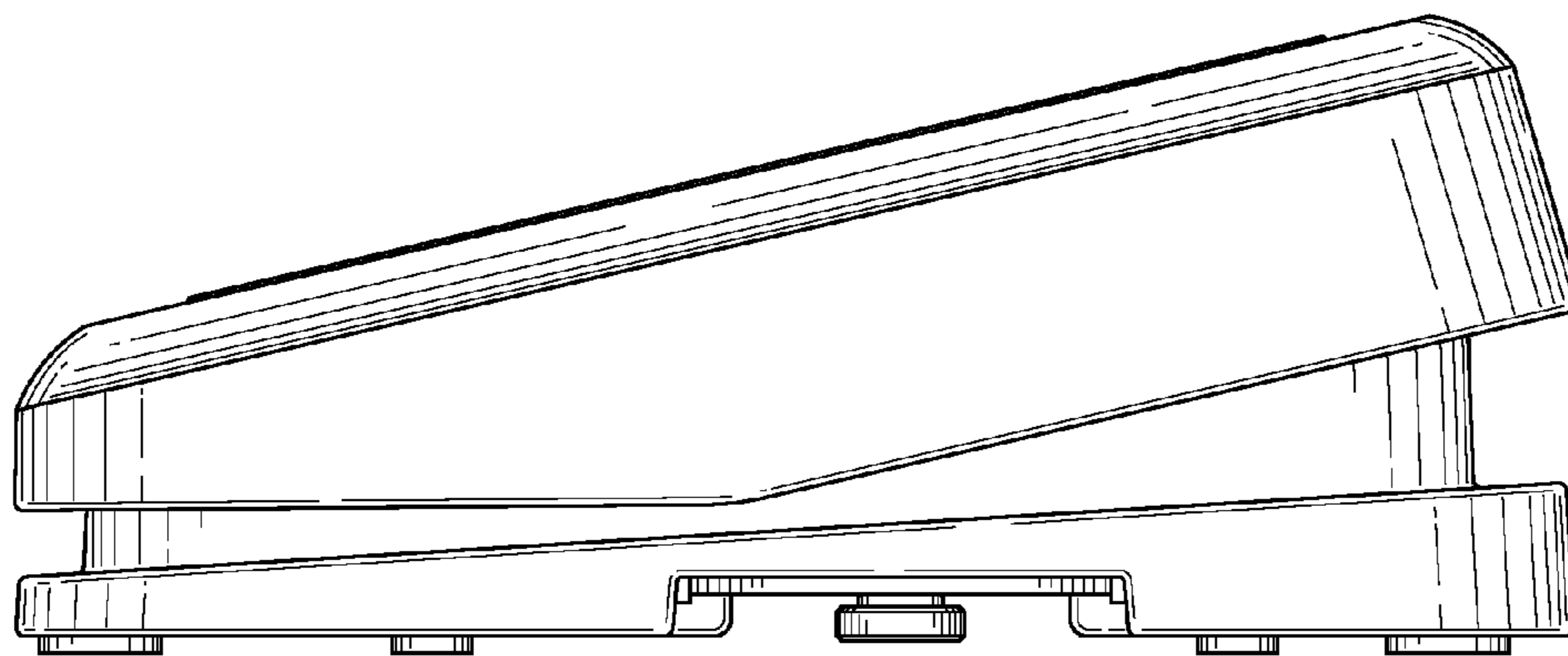


FIG. 16

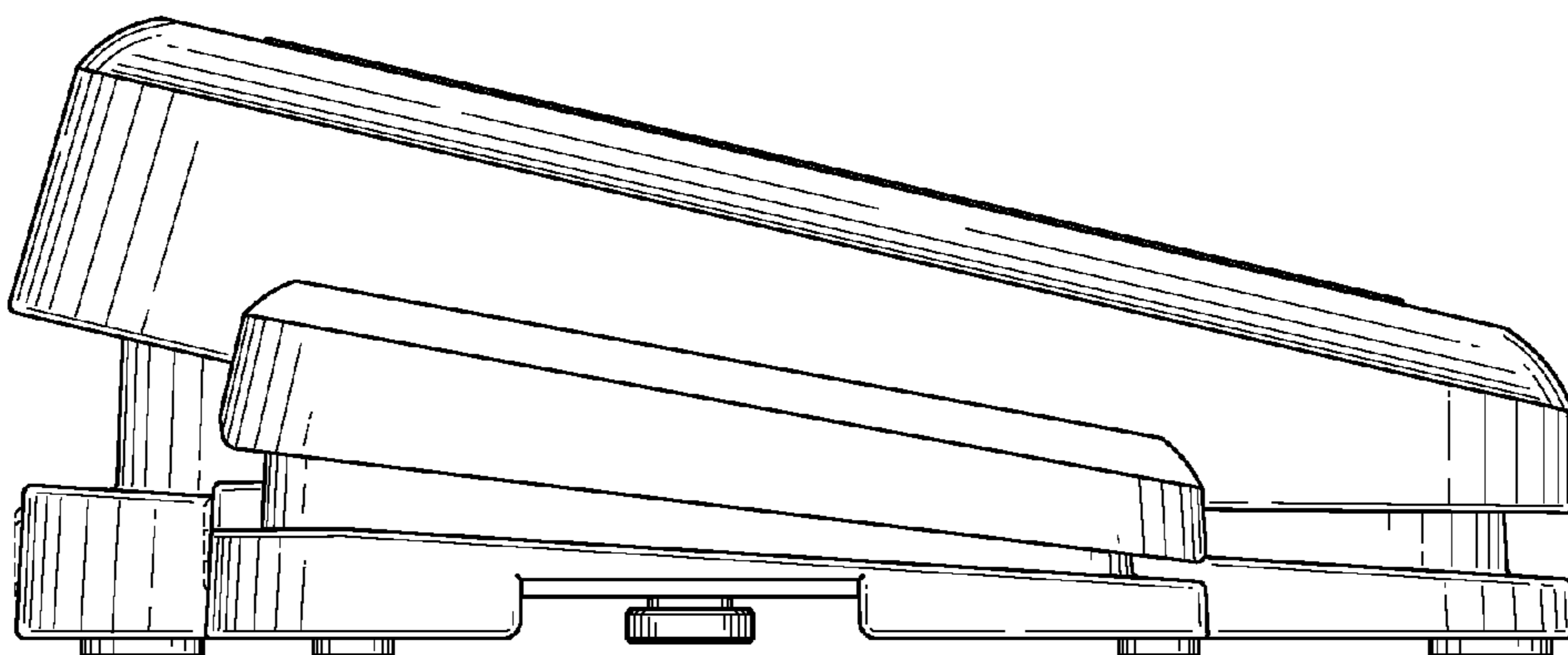


FIG. 17

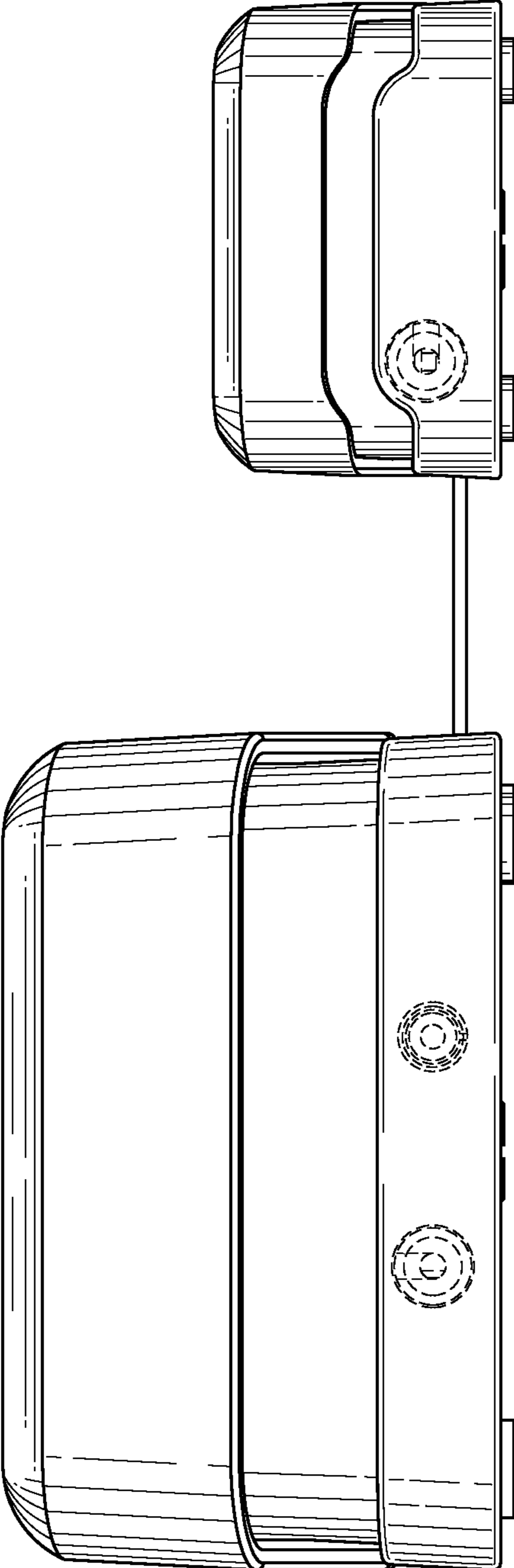


FIG. 18

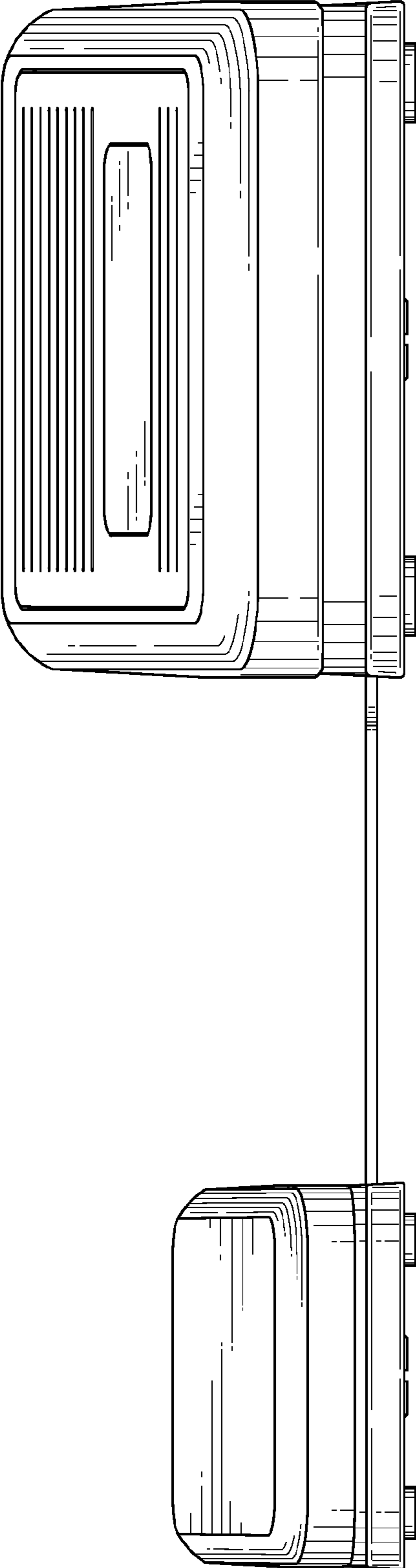


FIG. 19

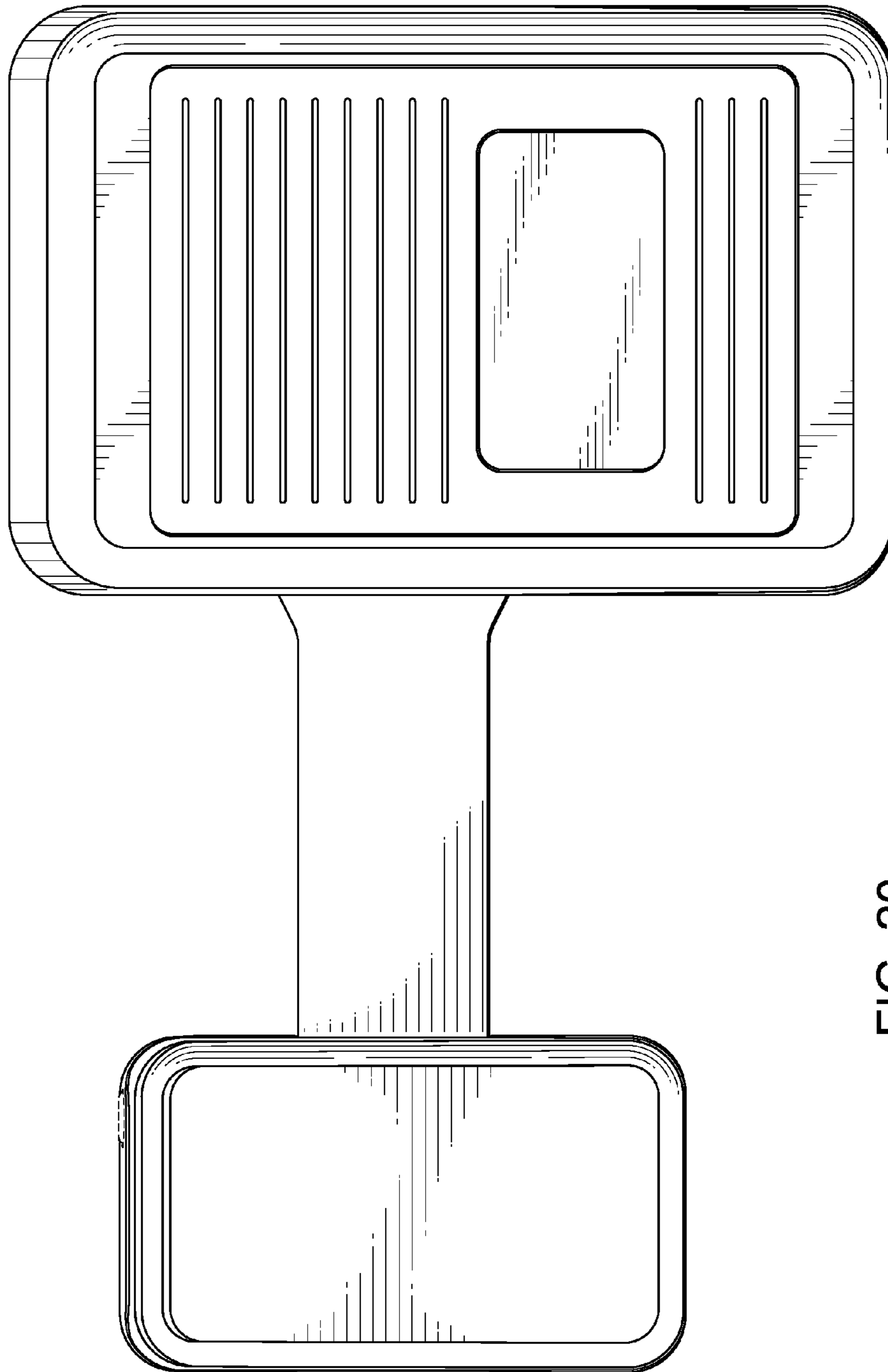


FIG. 20

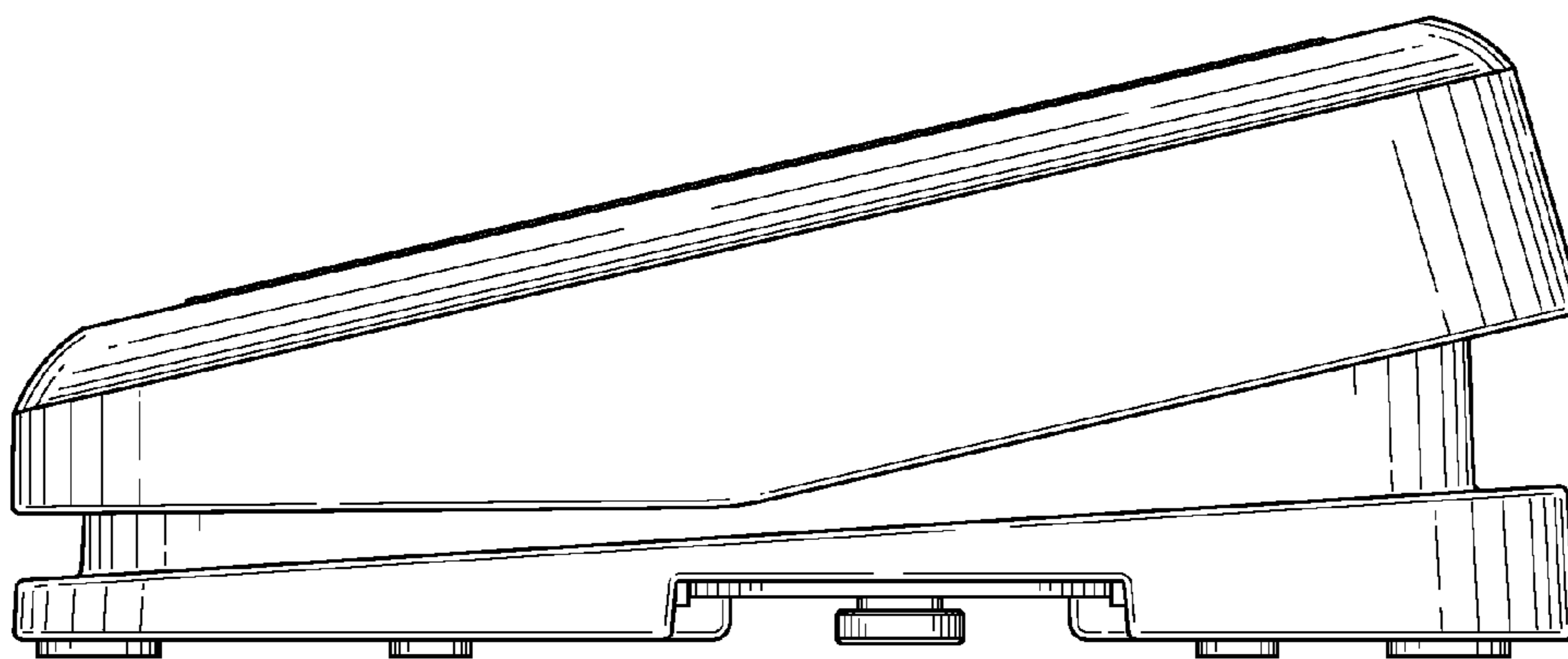


FIG. 21

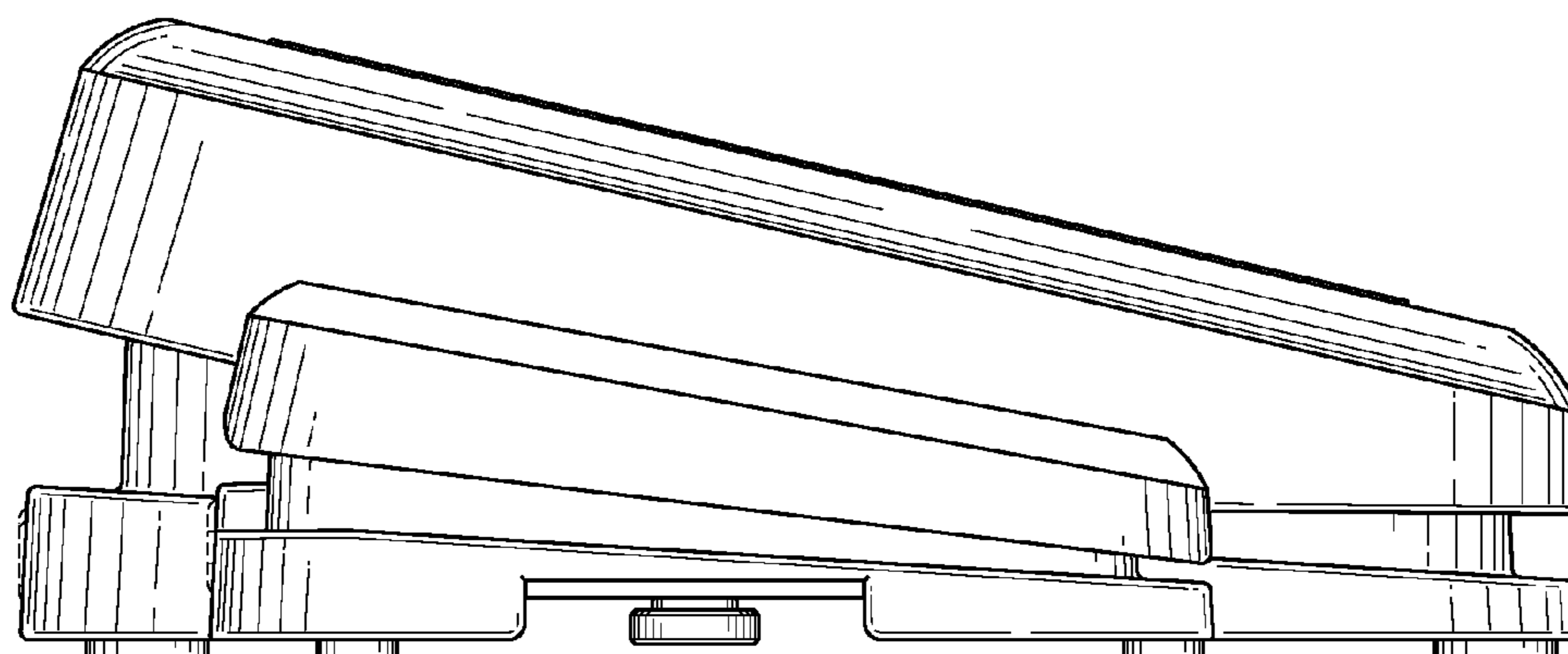


FIG. 22

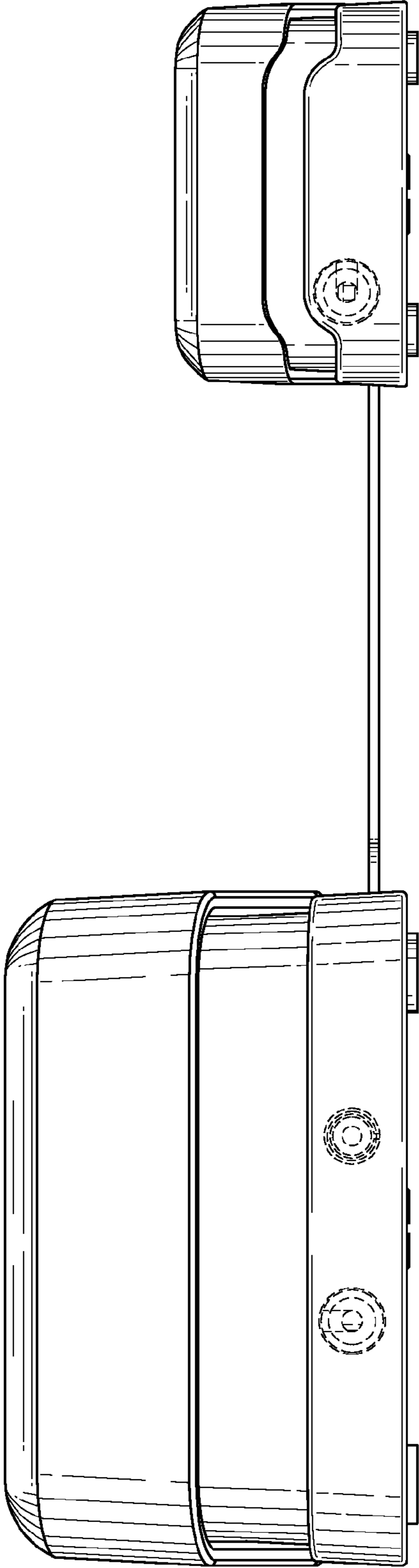


FIG. 23

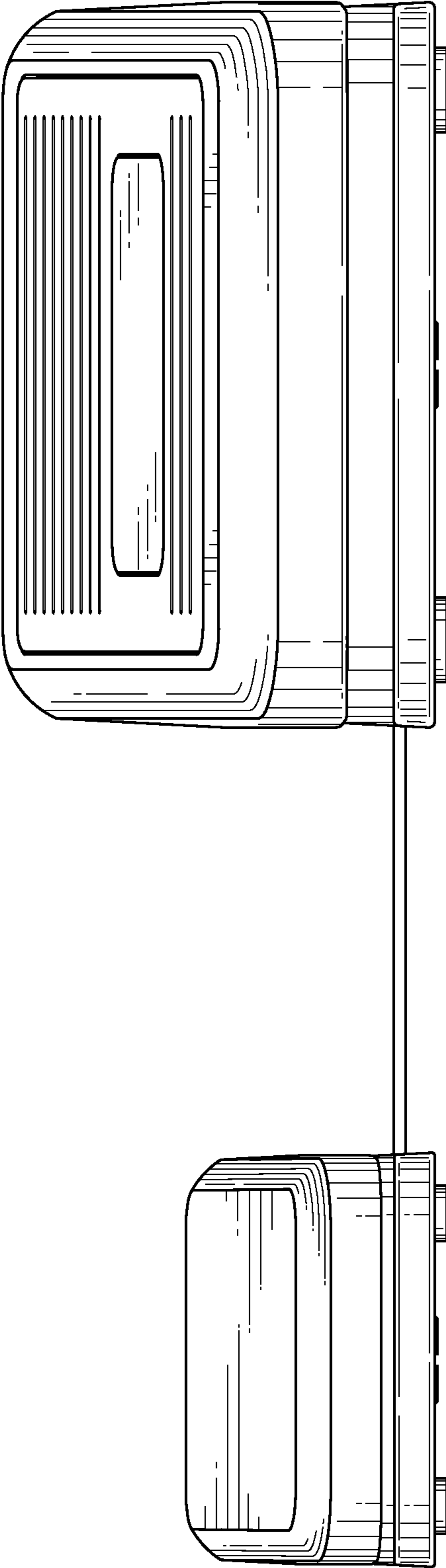


FIG. 24

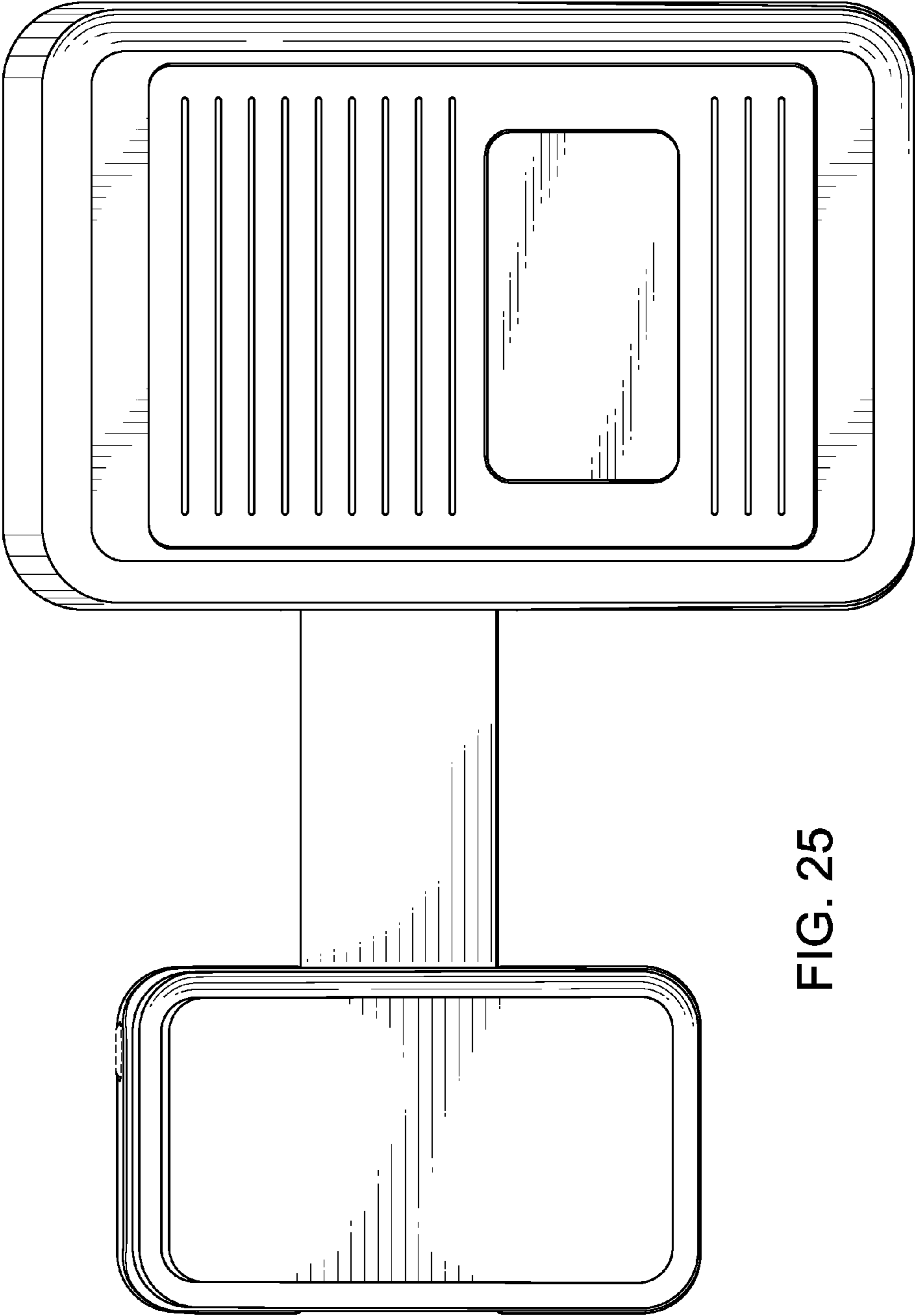


FIG. 25

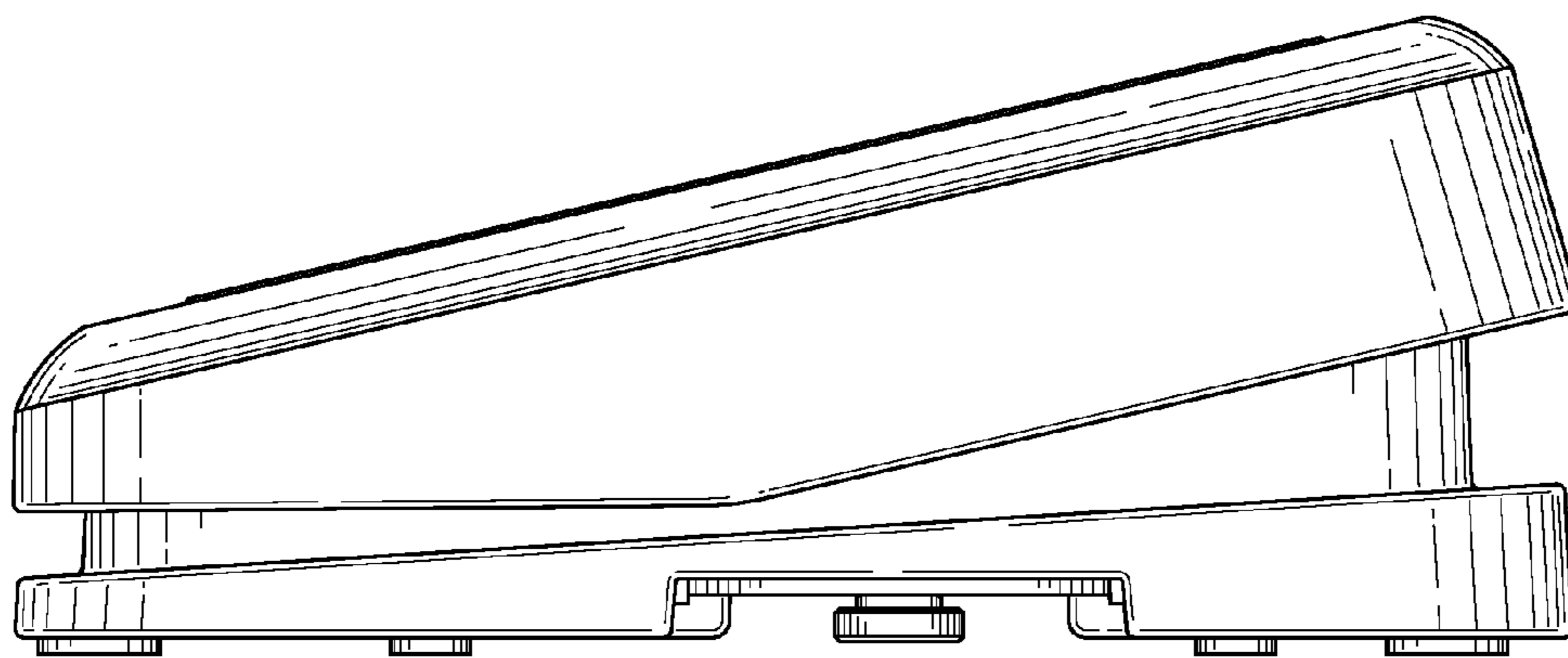


FIG. 26

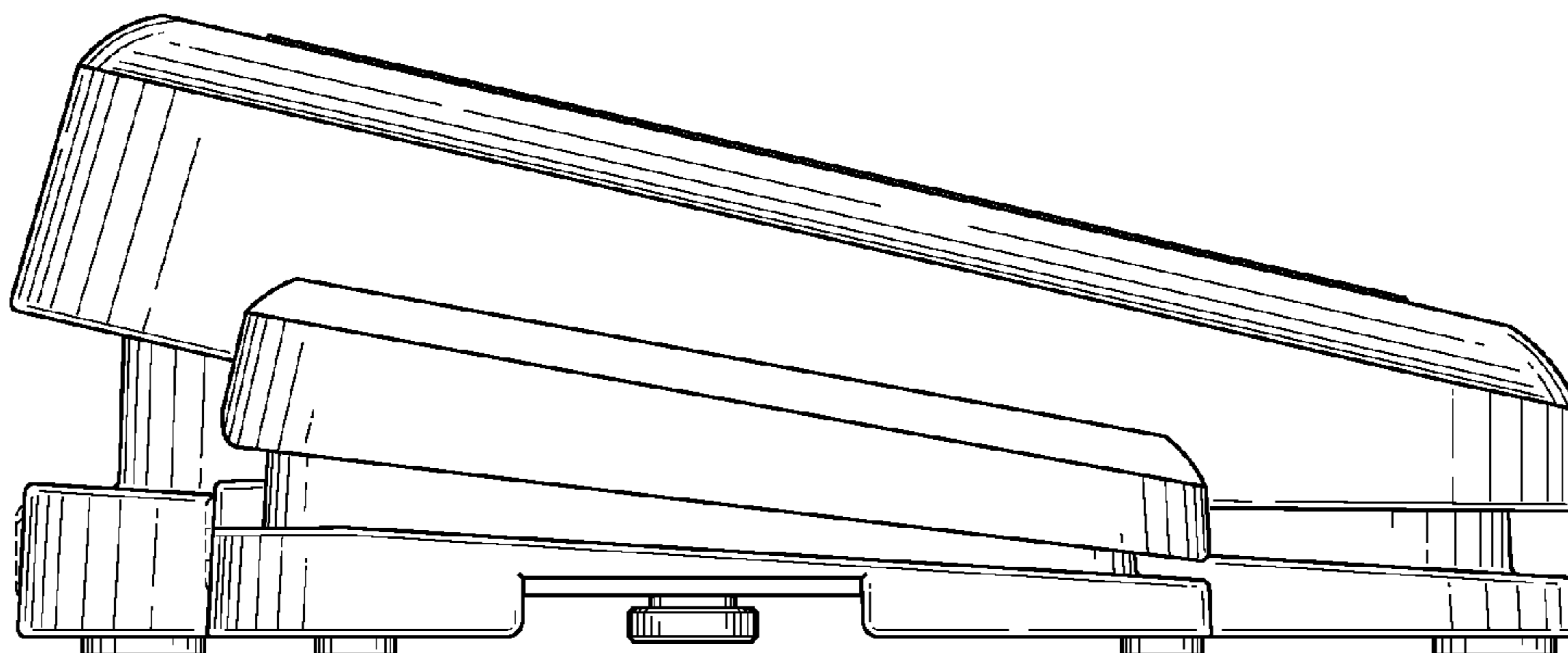


FIG. 27

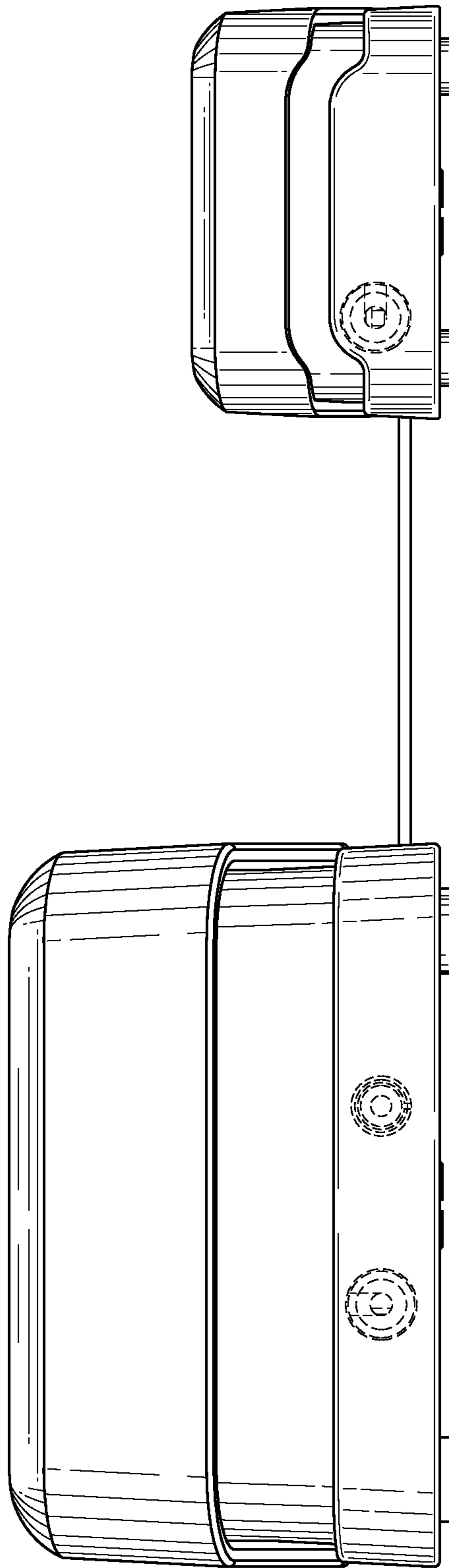


FIG. 28

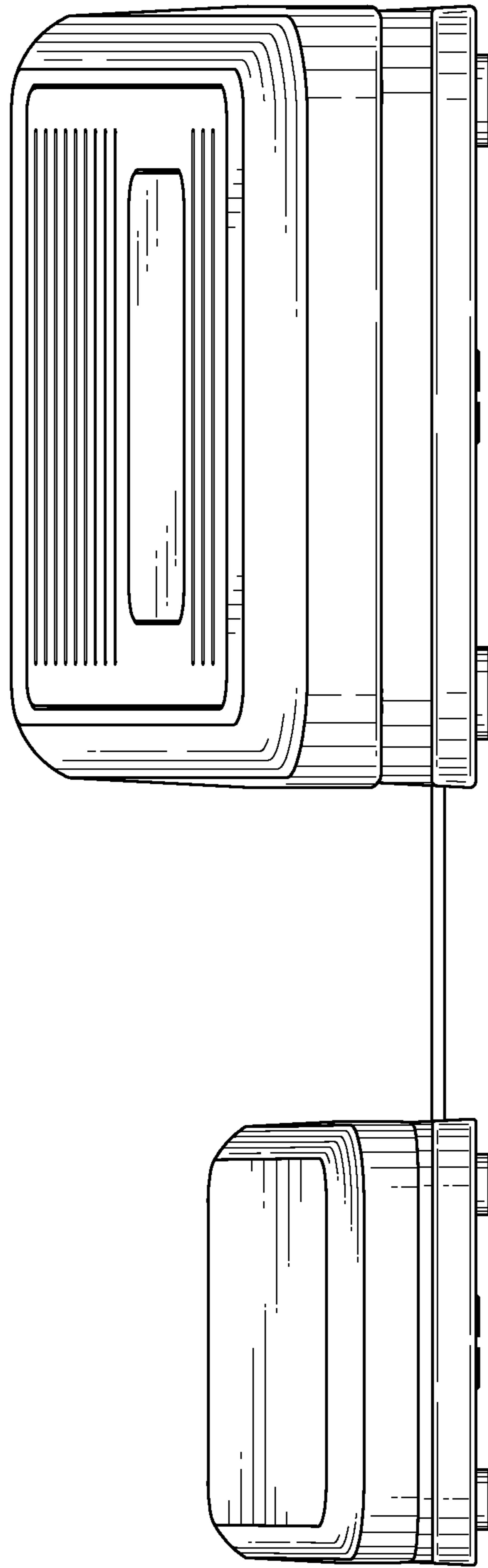


FIG. 29

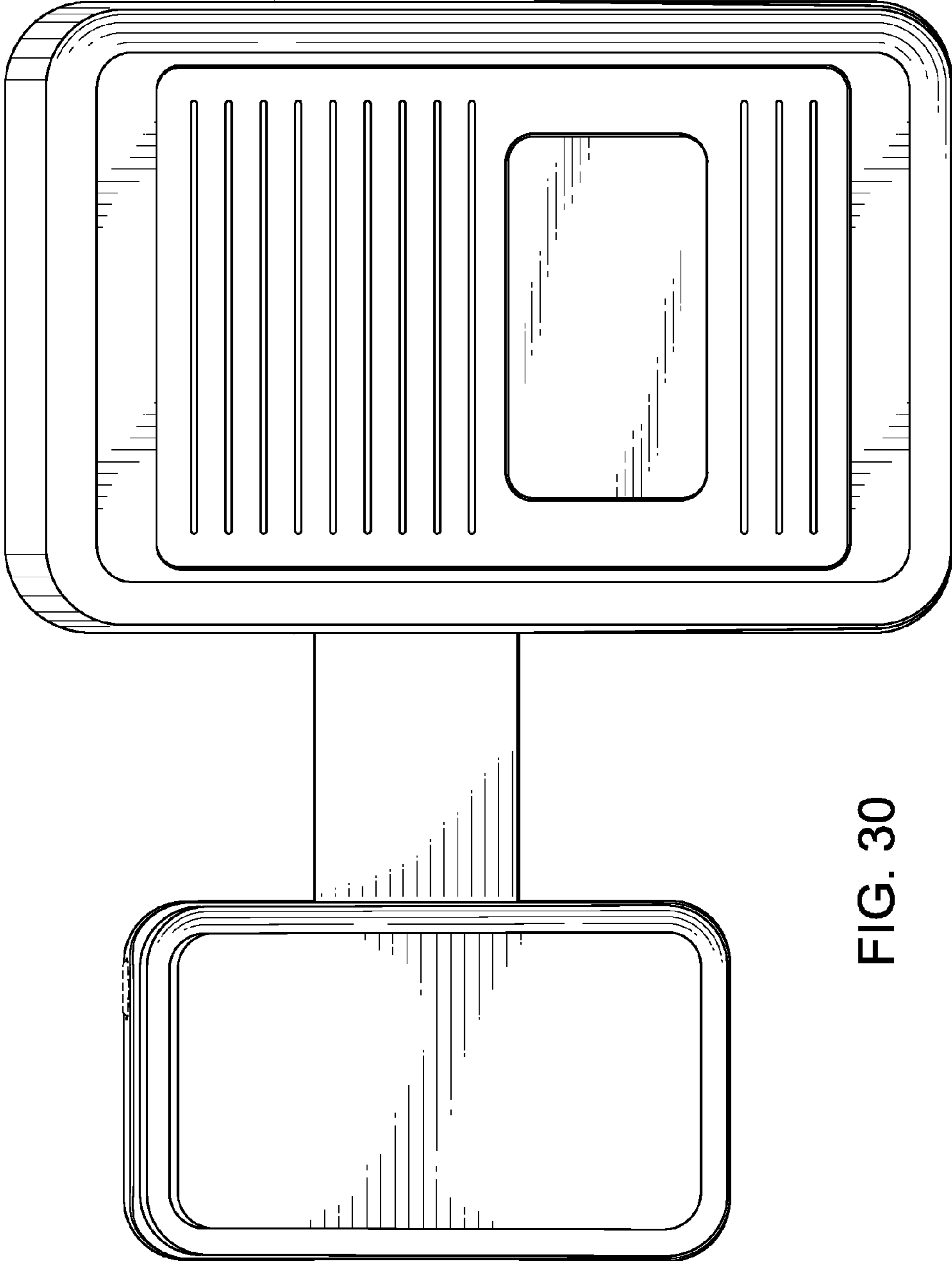


FIG. 30

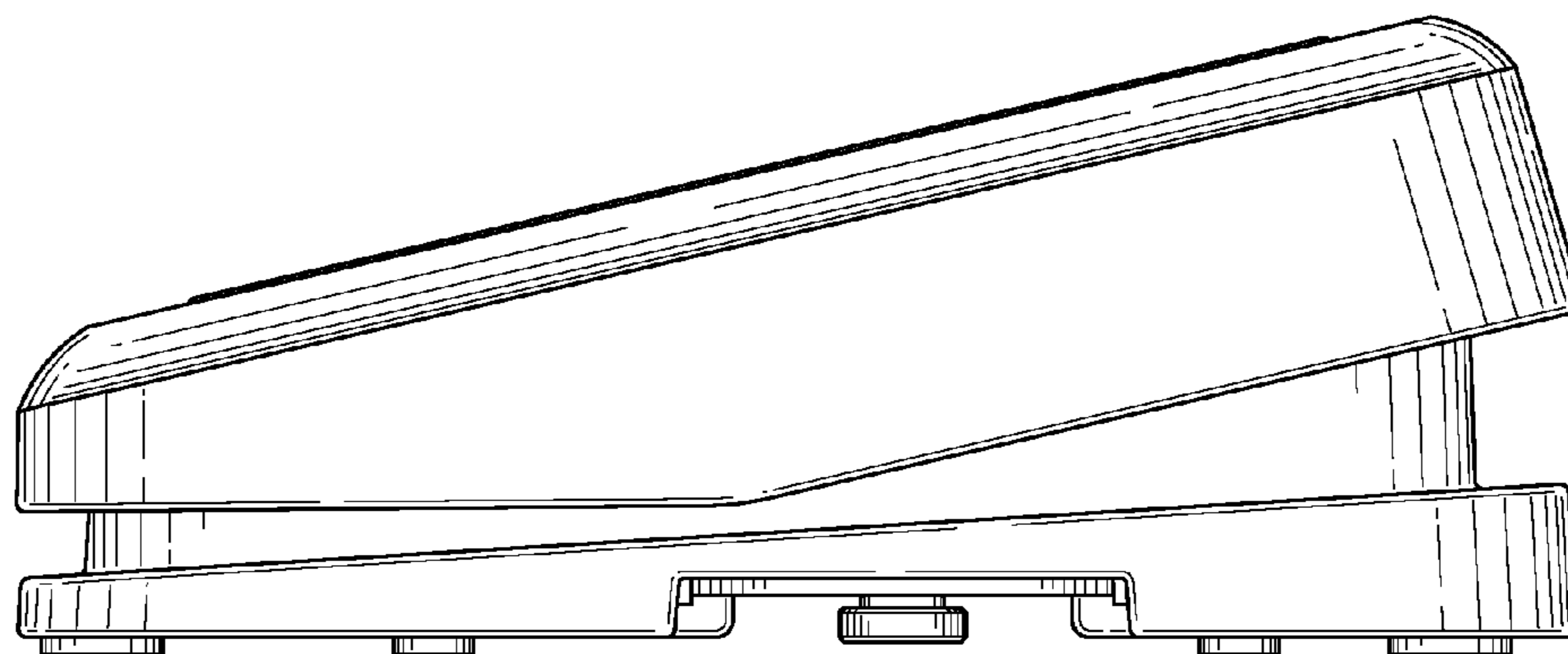


FIG. 31

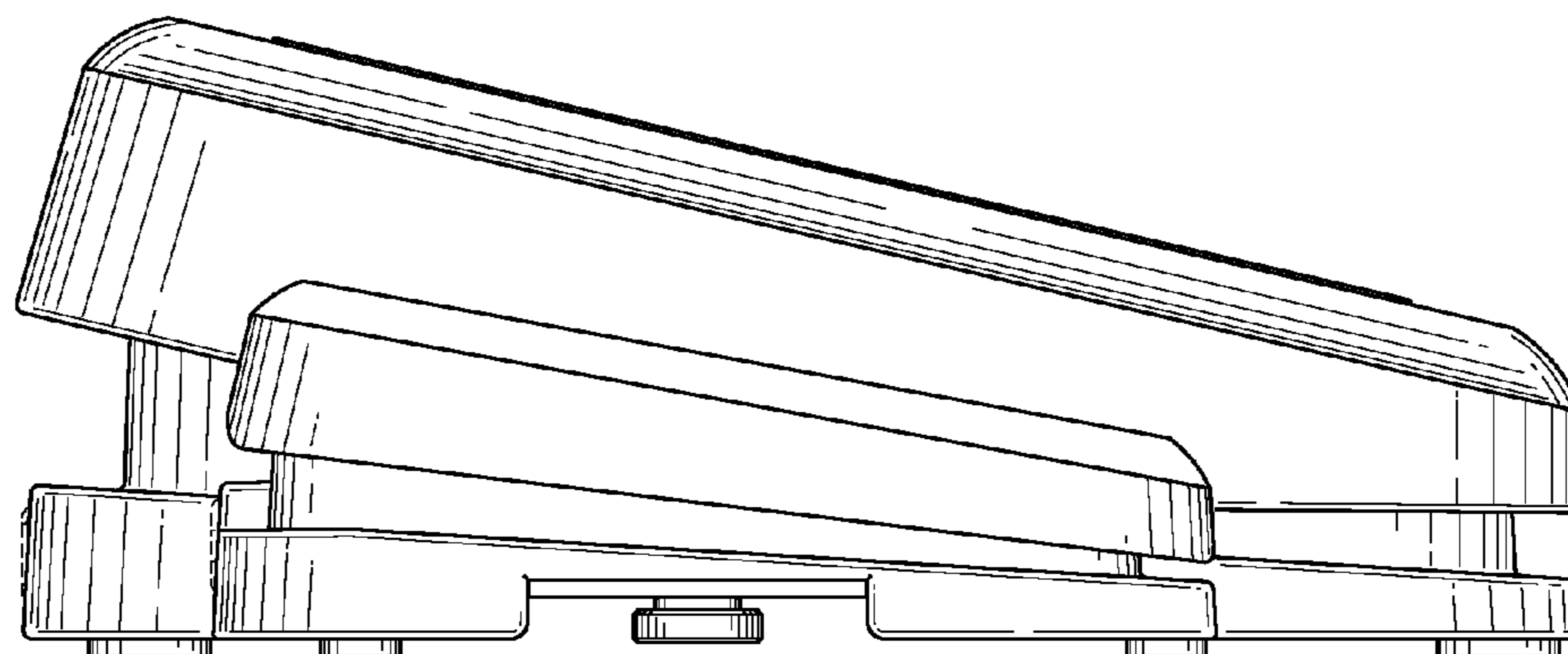


FIG. 32

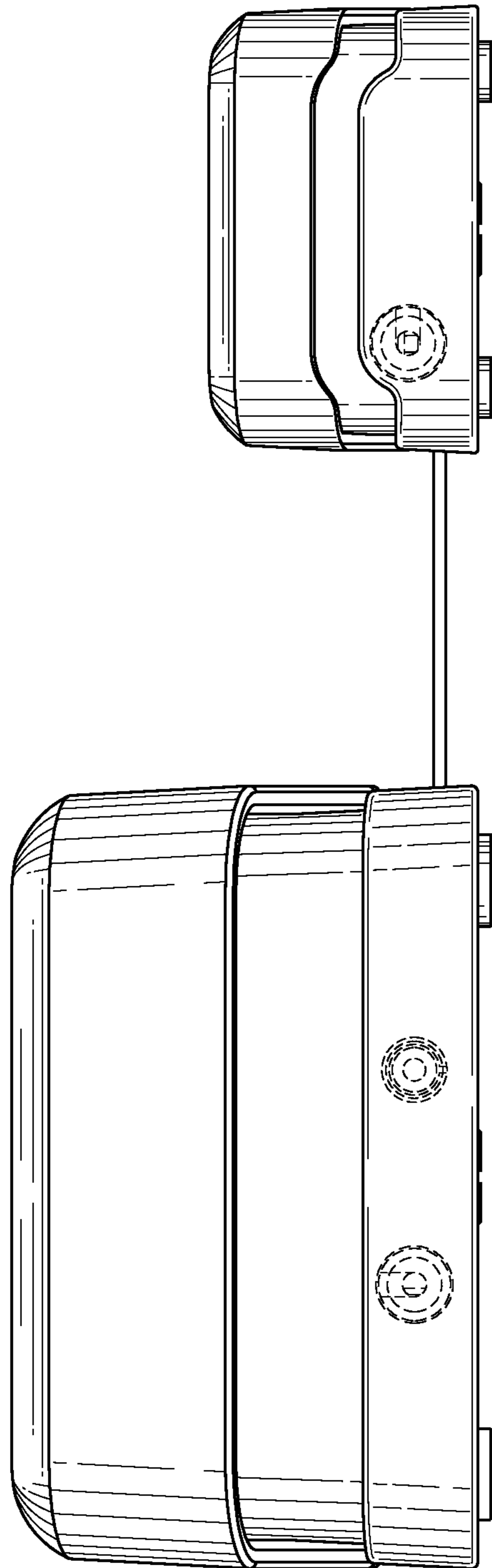


FIG. 33