



US00D695792S

(12) **United States Design Patent**
Jensen

(10) **Patent No.:** **US D695,792 S**

(45) **Date of Patent:** **** Dec. 17, 2013**

(54) **JOYSTICK**

(75) Inventor: **Ena Jensen**, Soenderborg (DK)

(73) Assignee: **Sauer-Danfoss ApS**, Nordborg (DK)

(**) Term: **14 Years**

(21) Appl. No.: **29/412,146**

(22) Filed: **Jan. 31, 2012**

(51) **LOC (9) Cl.** **15-03**

(52) **U.S. Cl.**
USPC **D15/28; D34/35**

(58) **Field of Classification Search**
USPC D15/11, 28, 21, 17, 18; D34/28, 34, 35;
D14/412, 413, 415, 416, 428;
D12/174, 179; 74/488, 484 R;
280/43.12; 187/222, 224; 463/36-38;
244/234

See application file for complete search history.

(56) **References Cited**

U.S. PATENT DOCUMENTS

D362,330 S *	9/1995	Avitan et al.	D34/35
D365,576 S *	12/1995	Butkovich et al.	D15/29
D382,865 S *	8/1997	Jensen	D14/412
D419,570 S *	1/2000	Blondeel et al.	D15/29
D506,422 S *	6/2005	Crookes	D12/179

D536,153 S *	1/2007	Niebuhr et al.	D34/35
D559,749 S *	1/2008	Barbieri	D12/179
D566,132 S *	4/2008	Mack	D15/11
D568,796 S *	5/2008	Oliver et al.	D12/179
D575,924 S *	8/2008	Niebuhr	D34/35
D598,023 S *	8/2009	Miller et al.	D14/412
D628,216 S *	11/2010	Ulbrich et al.	D15/28
D635,155 S *	3/2011	Blind	D15/28
D671,565 S *	11/2012	Kinoshita et al.	D15/28

* cited by examiner

Primary Examiner — Mark Goodwin

(74) *Attorney, Agent, or Firm* — McCormick, Paulding & Huber LLP

(57) **CLAIM**

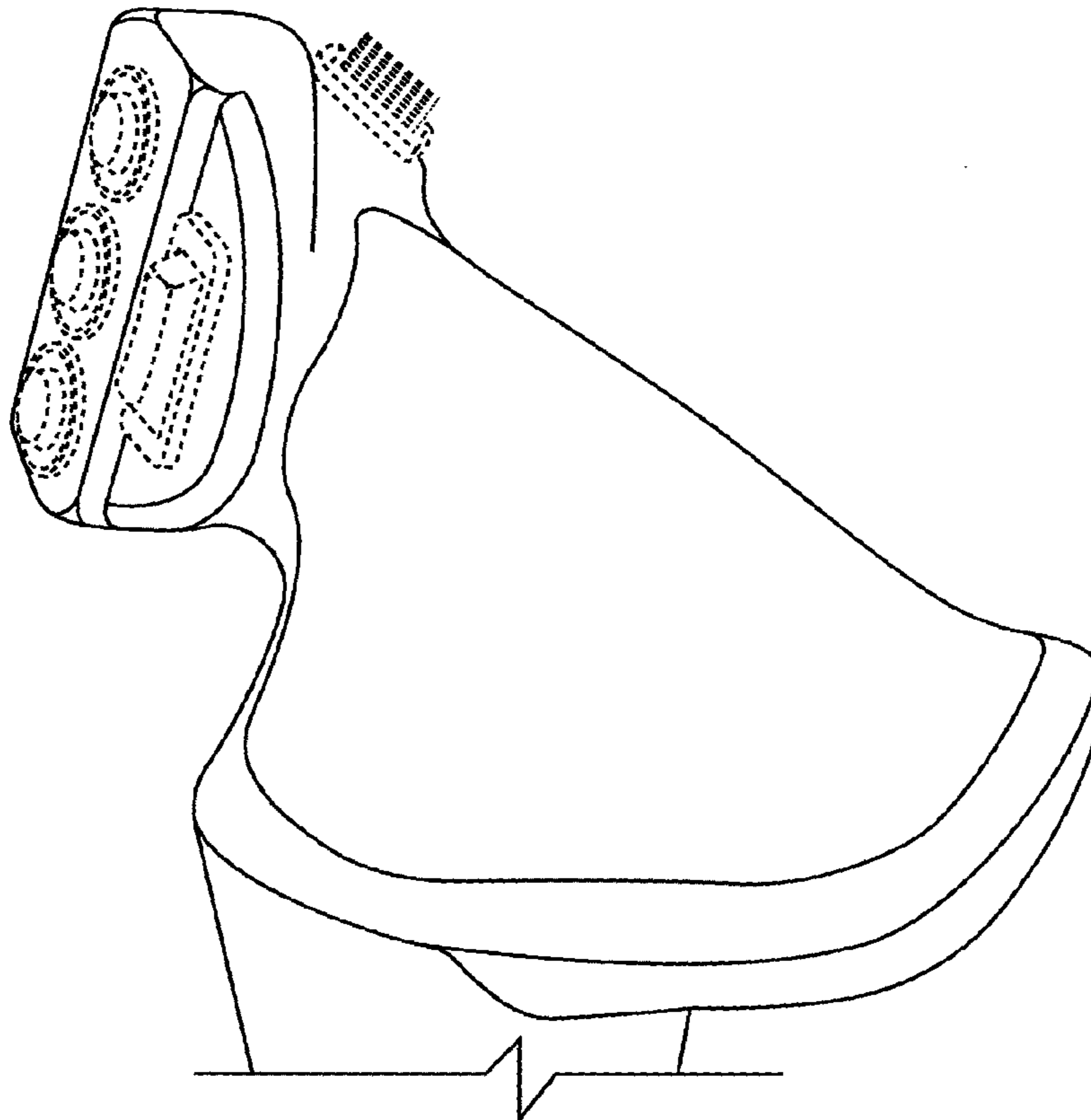
The ornamental design for a joystick, substantially as shown and described.

DESCRIPTION

FIG. 1 is a front, top, right side perspective view of a joystick showing my new design;
FIG. 2 is a front view thereof;
FIG. 3 is a rear view thereof;
FIG. 4 is a top view thereof;
FIG. 5 is a bottom view thereof;
FIG. 6 is a left side view thereof; and,
FIG. 7 is a right side view thereof.

The broken lines shown in the drawings illustrate unclaimed portions of the article and form no part of the claimed design.

1 Claim, 4 Drawing Sheets



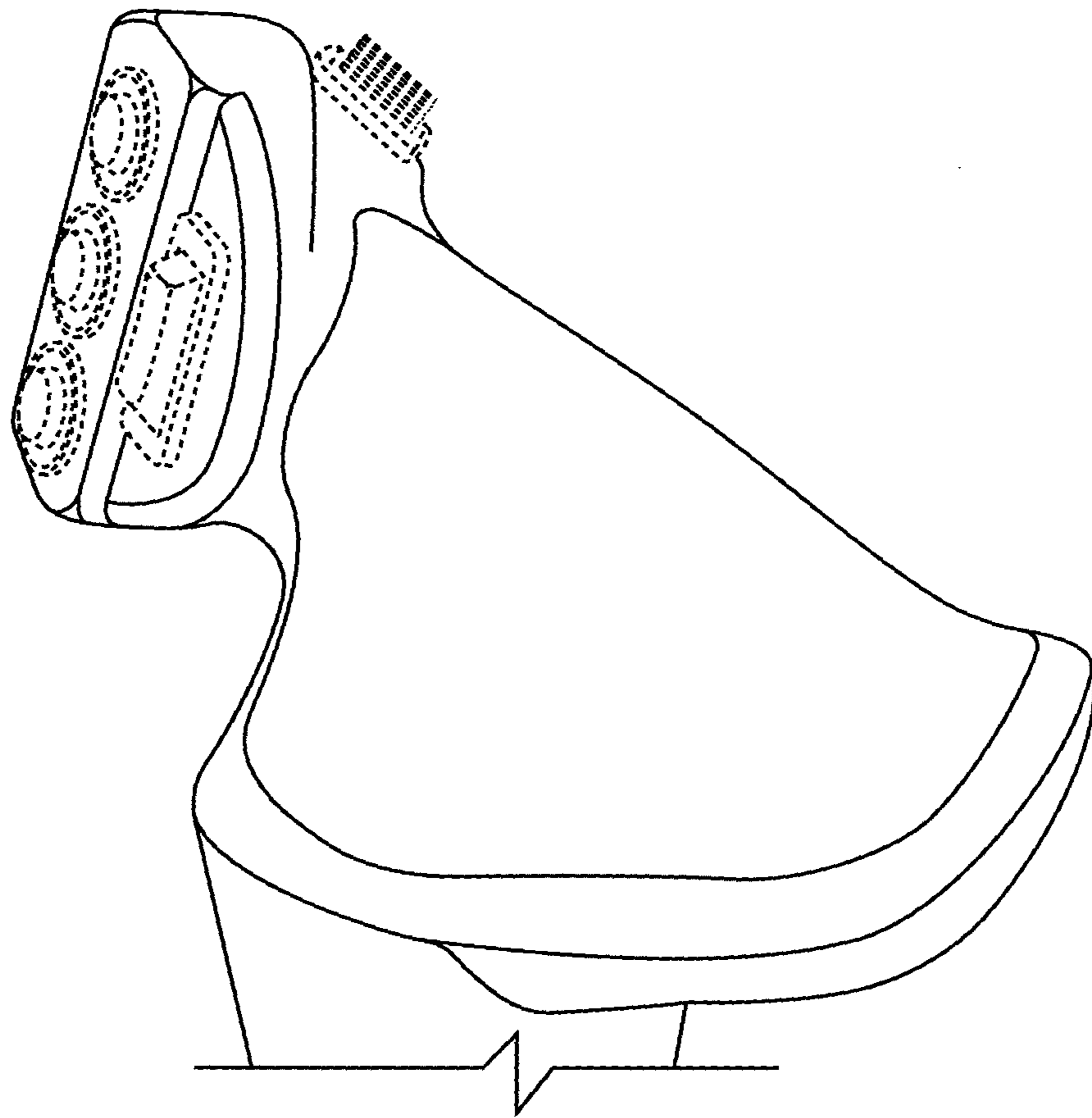


FIG. 1

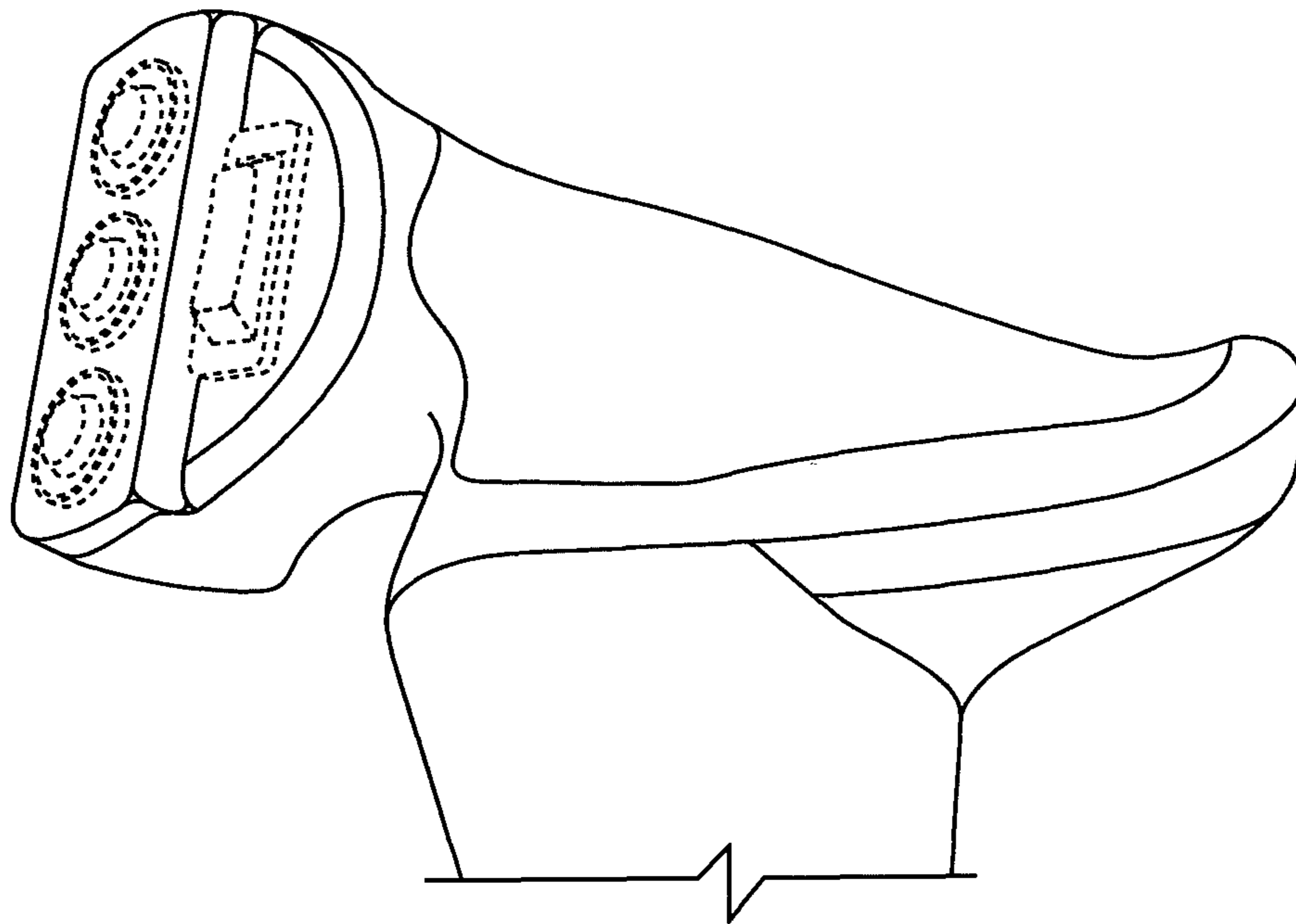


FIG. 2

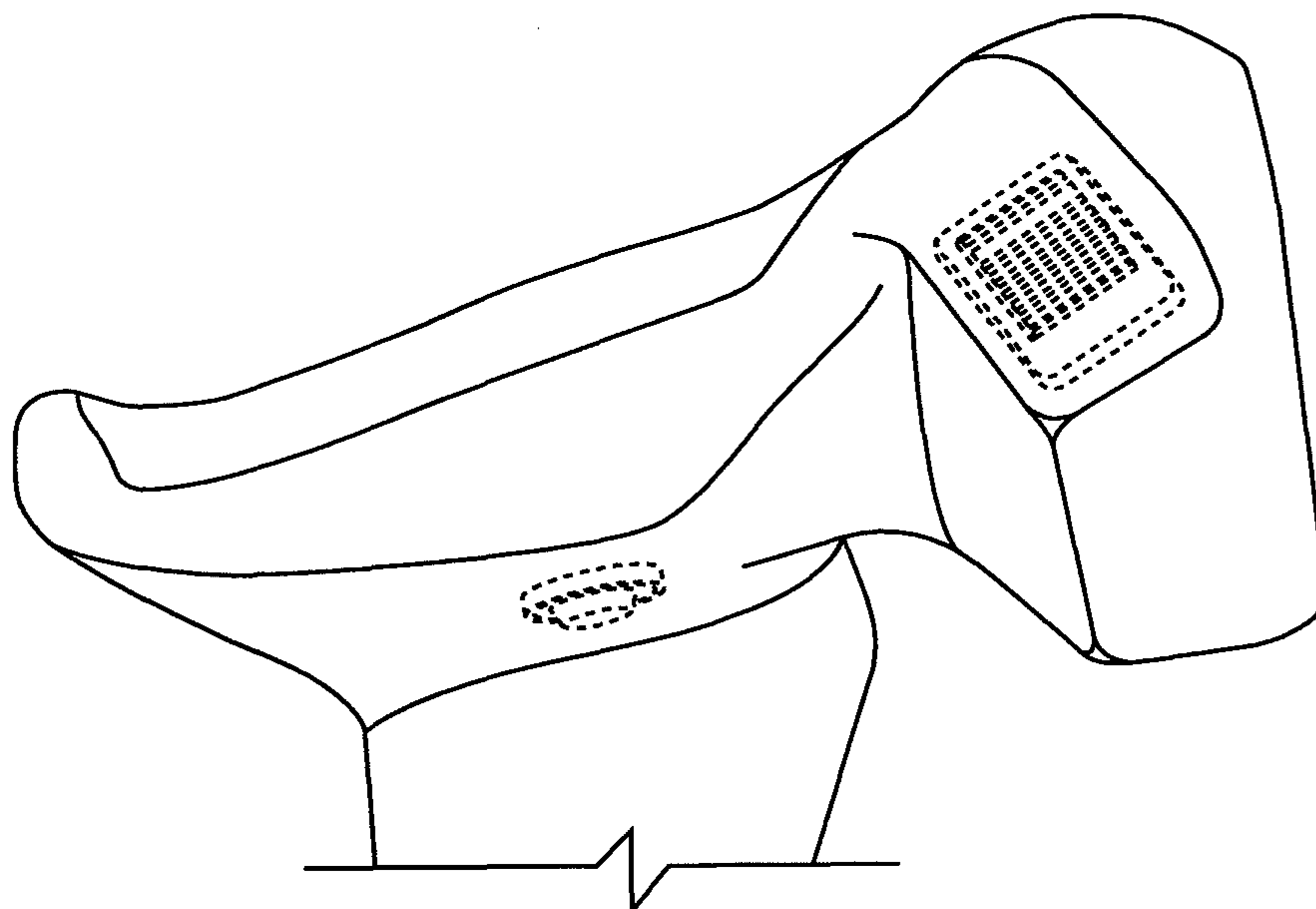


FIG. 3

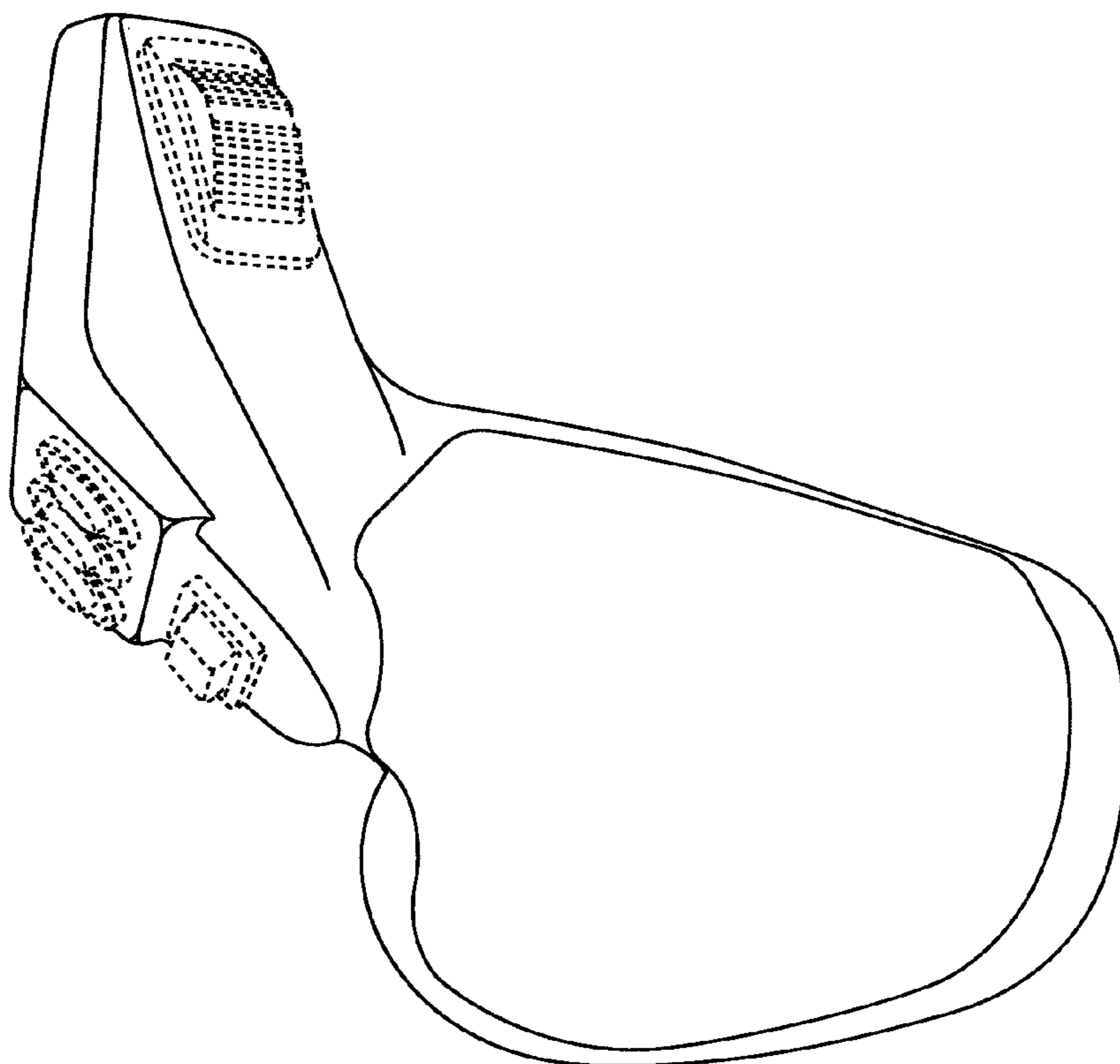


FIG. 4

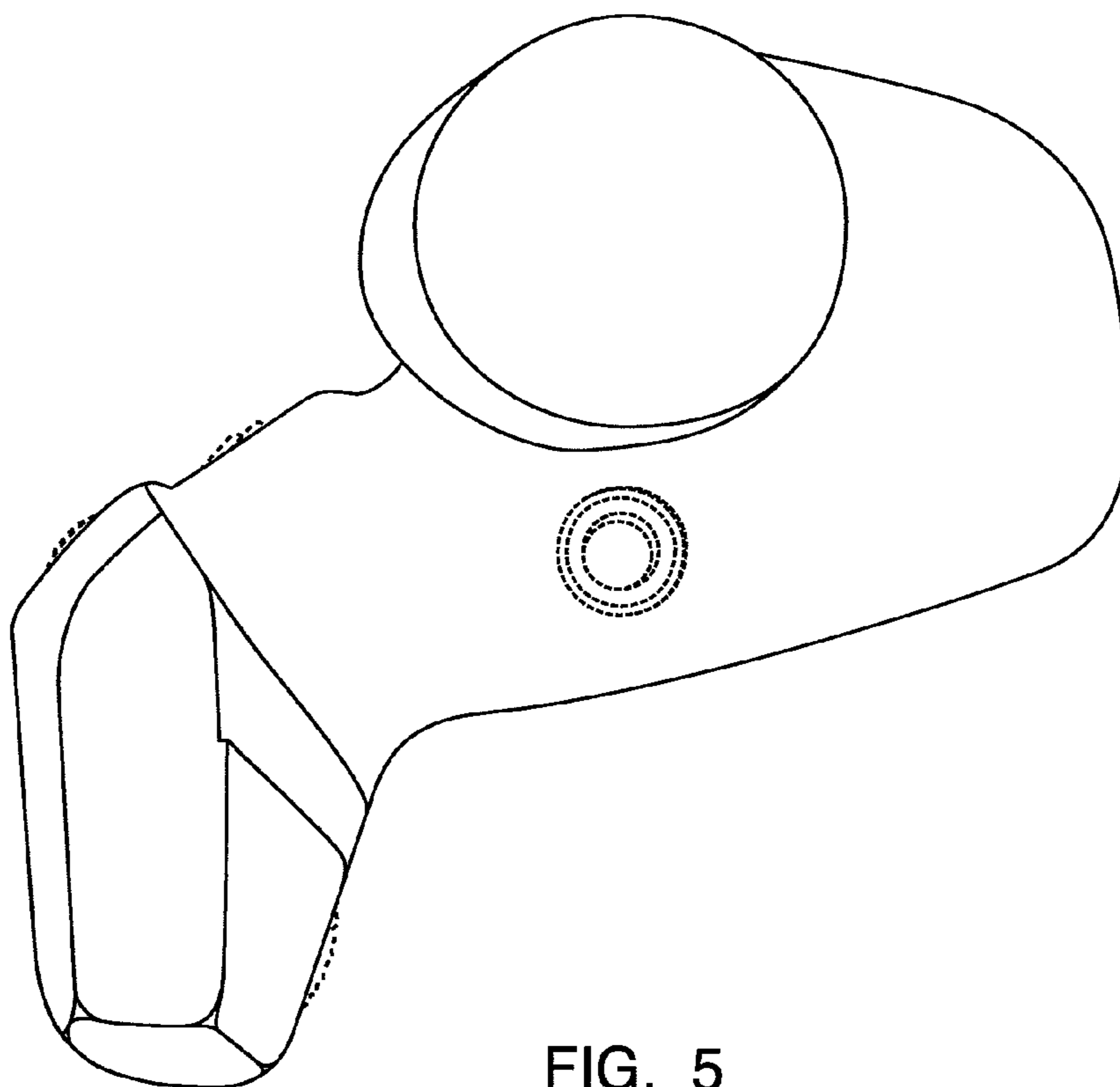


FIG. 5

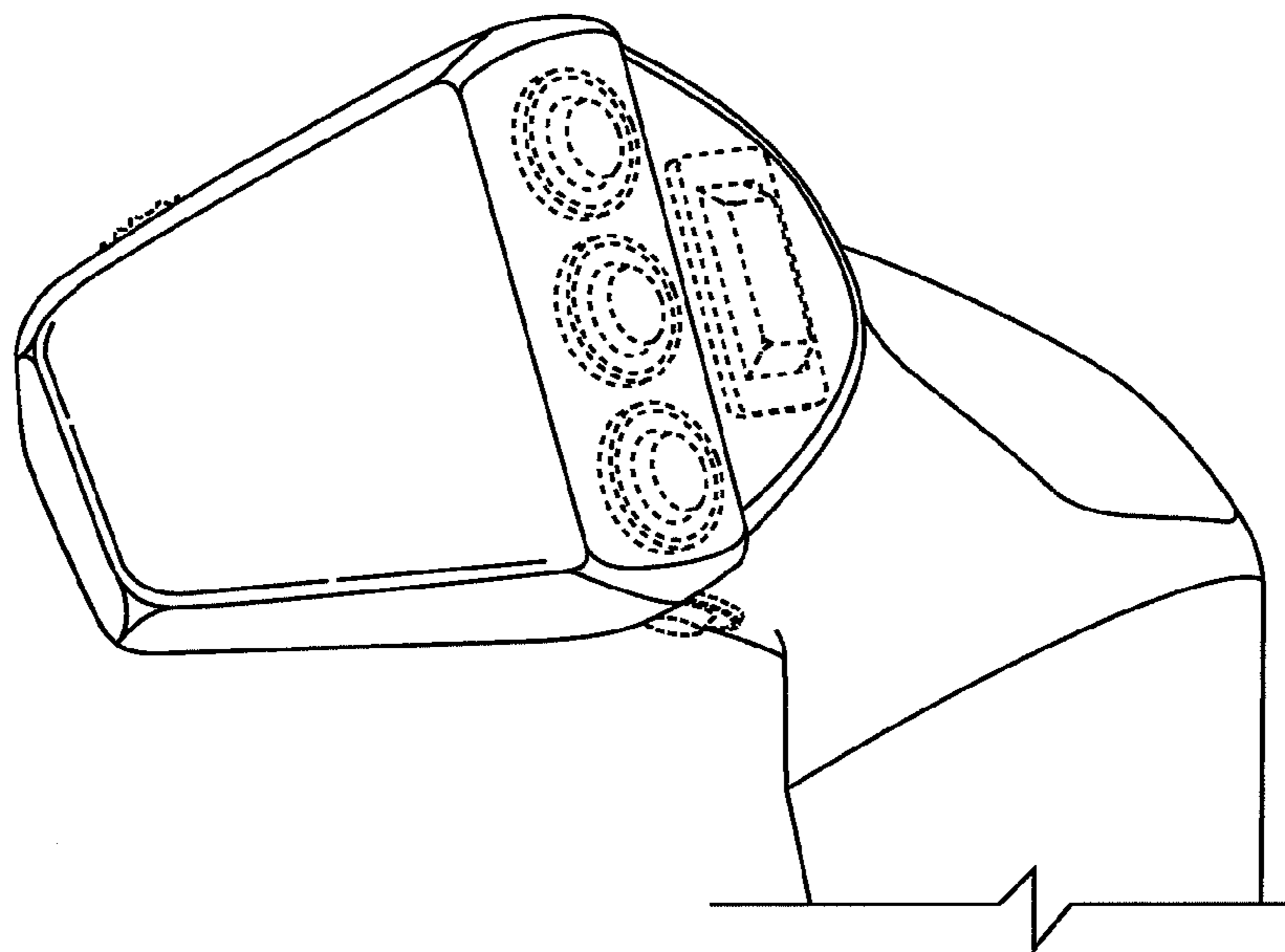


FIG. 6

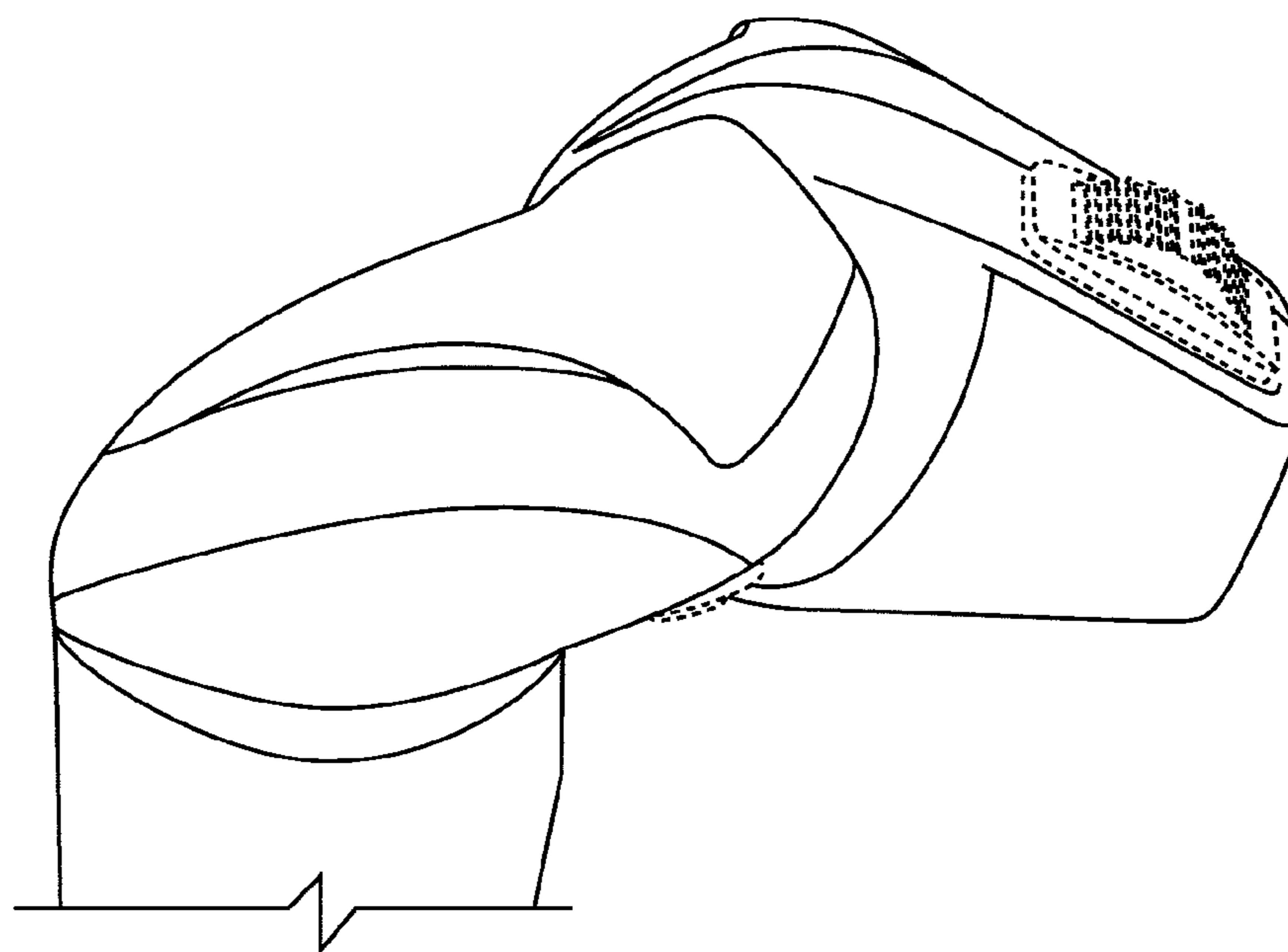


FIG. 7