

US00D695791S

(12) **United States Design Patent**  
**Hagura et al.**

(10) **Patent No.:** **US D695,791 S**

(45) **Date of Patent:** **\*\* Dec. 17, 2013**

(54) **HYDRAULIC EXCAVATOR**

(71) Applicant: **Hitachi Construction Machinery Co., Ltd.**, Tokyo (JP)

(72) Inventors: **Shigehisa Hagura**, Akishima (JP);  
**Tomoyuki Miyata**, Kodaira (JP);  
**Nozomu Tanaka**, Konan (JP); **Takeo Manabe**, Ishioka (JP)

(73) Assignee: **Hitachi Construction Machinery Co., Ltd.**, Tokyo (JP)

(\*\*) Term: **14 Years**

(21) Appl. No.: **29/451,886**

(22) Filed: **Apr. 10, 2013**

(30) **Foreign Application Priority Data**

Oct. 31, 2012 (JP) ..... 2012-026563

(51) **LOC (9) Cl.** ..... **12-09**

(52) **U.S. Cl.**  
USPC ..... **D15/25**

(58) **Field of Classification Search**  
USPC ..... D15/10, 22-26; 37/403, 411, 443;  
414/685, 686, 688, 722-724;  
180/89.13  
See application file for complete search history.

(56) **References Cited**

**U.S. PATENT DOCUMENTS**

4,397,481 A \* 8/1983 Dion et al. .... 280/781  
D271,396 S \* 11/1983 Inui ..... D15/24

5,544,435 A \* 8/1996 Somero ..... 37/405  
5,590,482 A \* 1/1997 Peterson et al. .... 37/403  
D391,272 S \* 2/1998 Jin et al. .... D15/25  
D409,629 S \* 5/1999 Miyaoka et al. .... D15/25  
D437,602 S \* 2/2001 Hiraoka et al. .... D15/25  
D460,975 S \* 7/2002 Yanagida et al. .... D15/25  
D462,973 S \* 9/2002 Tamaru et al. .... D15/25  
D462,974 S \* 9/2002 Yanagida et al. .... D15/25  
D534,552 S \* 1/2007 Yanagida ..... D15/25

**FOREIGN PATENT DOCUMENTS**

JP D 1240324 S 5/2005  
JP D 1342289 S 10/2008

\* cited by examiner

*Primary Examiner* — Mark Goodwin

(74) *Attorney, Agent, or Firm* — Antonelli, Terry, Stout & Kraus, LLP.

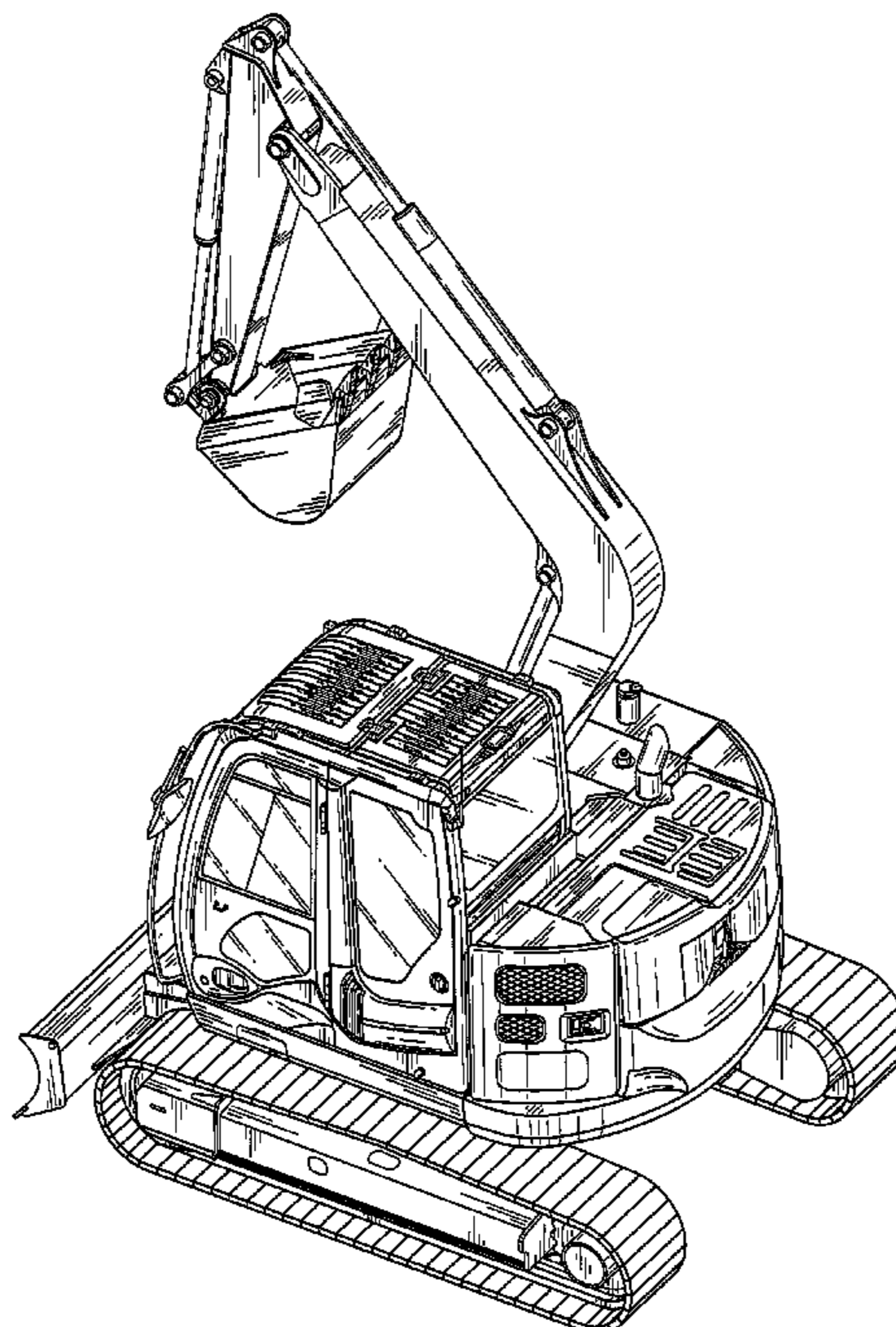
(57) **CLAIM**

We claim the ornamental design for a hydraulic excavator, as shown.

**DESCRIPTION**

FIG. 1 is a front, top and right side perspective view of a hydraulic excavator showing our/my new design;  
FIG. 2 is a front elevational view thereof;  
FIG. 3 is a rear elevational view thereof;  
FIG. 4 is a left side elevational view thereof;  
FIG. 5 is a right side elevational view thereof;  
FIG. 6 is a top plan view thereof; and,  
FIG. 7 is a bottom plan view thereof.

**1 Claim, 6 Drawing Sheets**



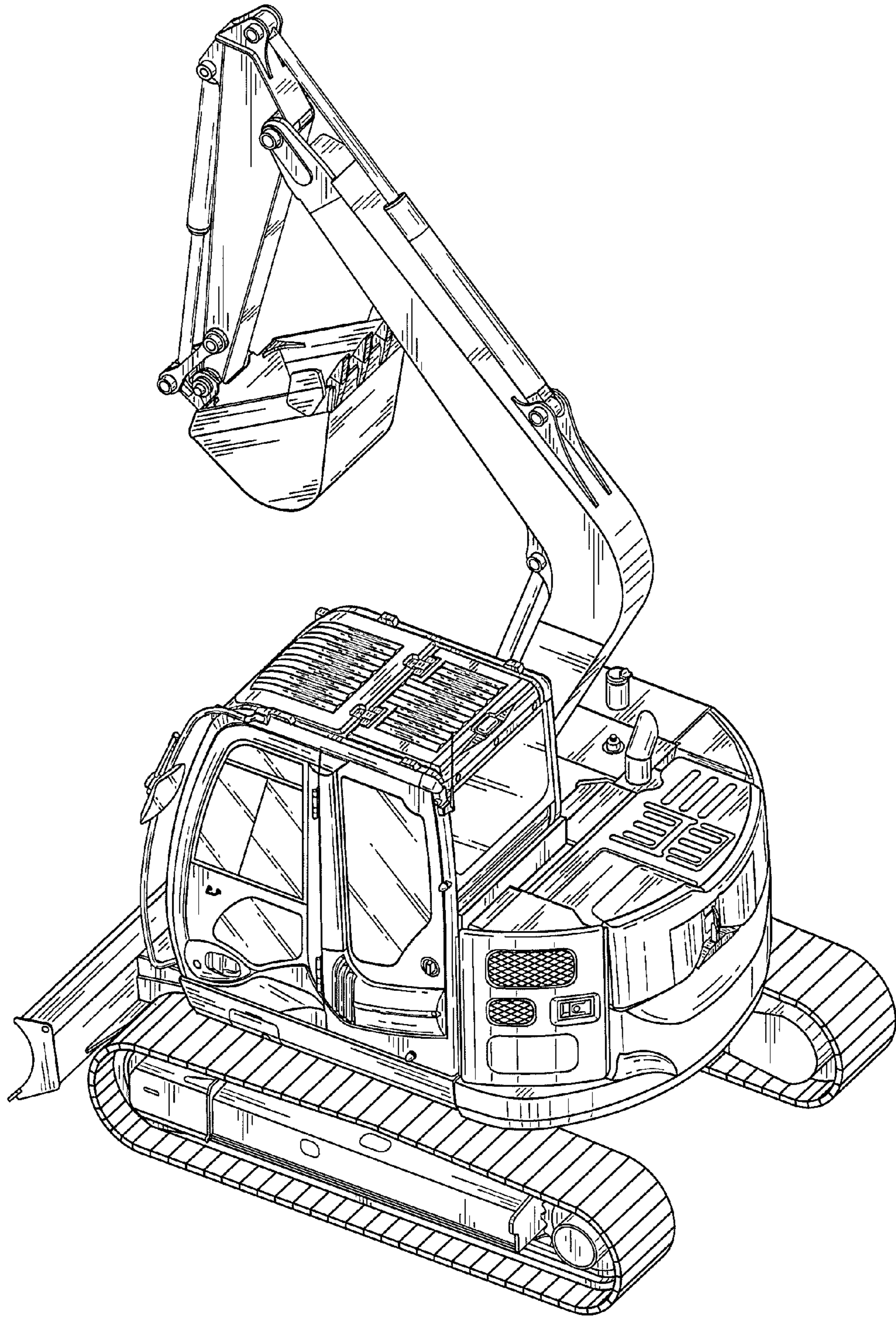


FIG. 1

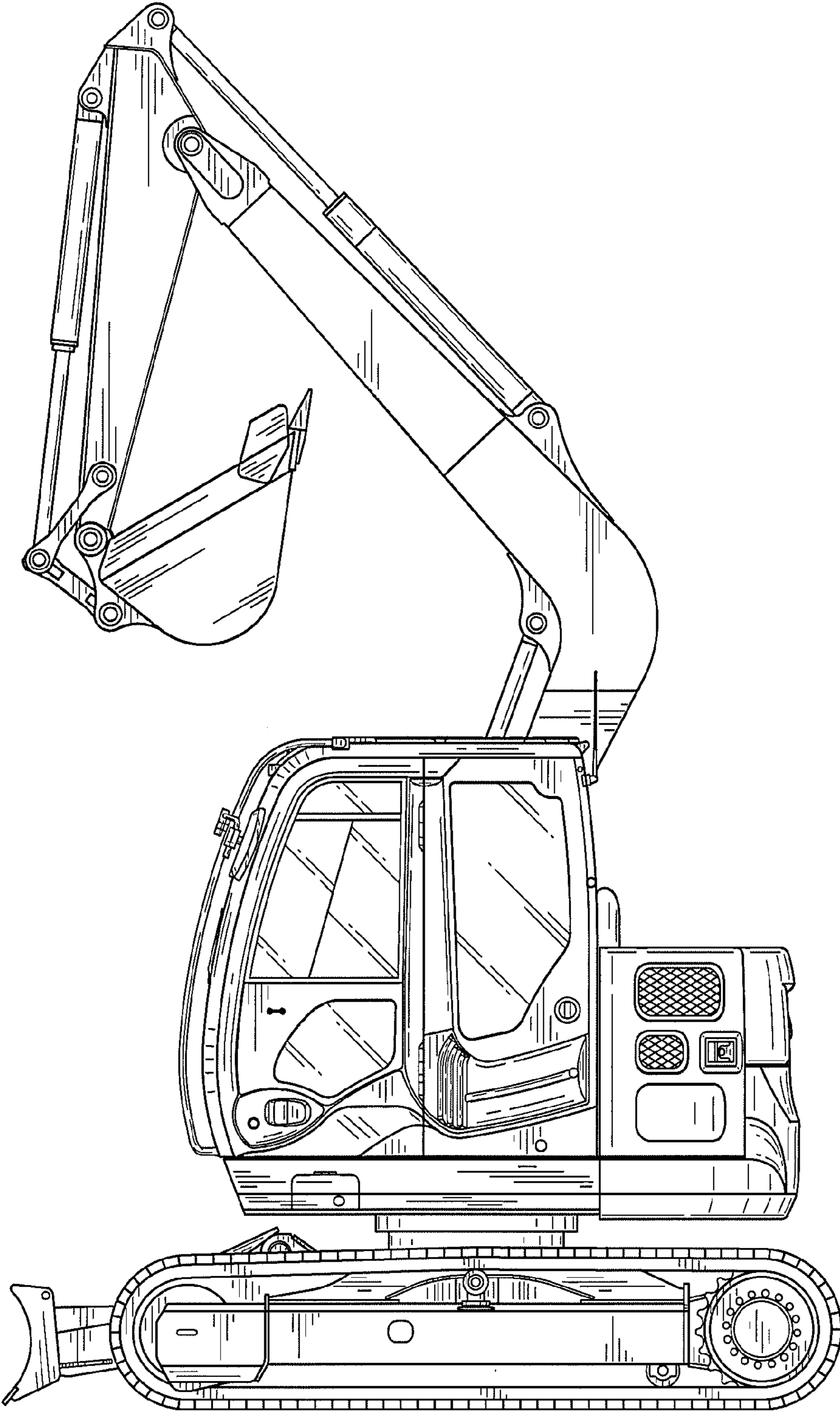


FIG. 2

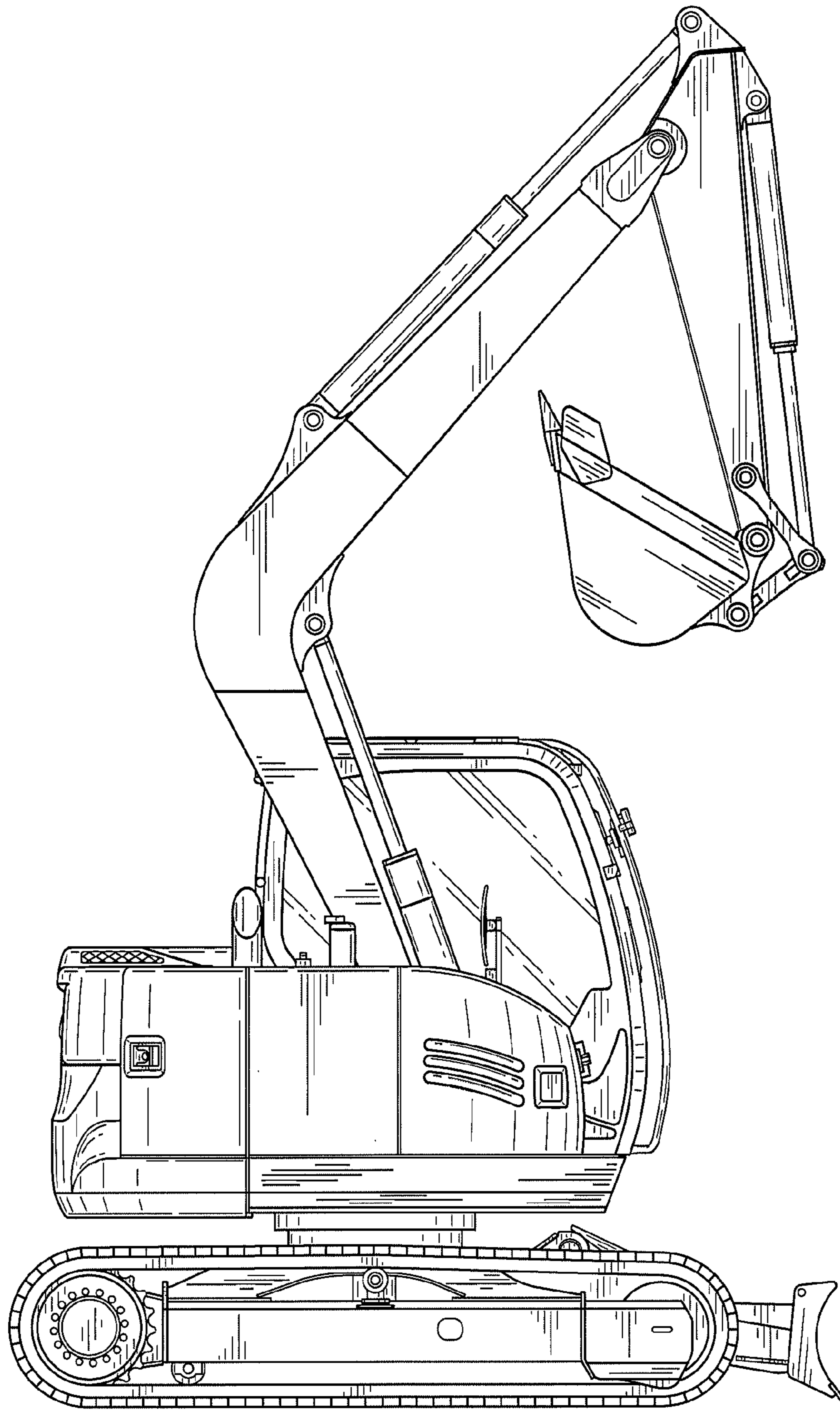


FIG. 3

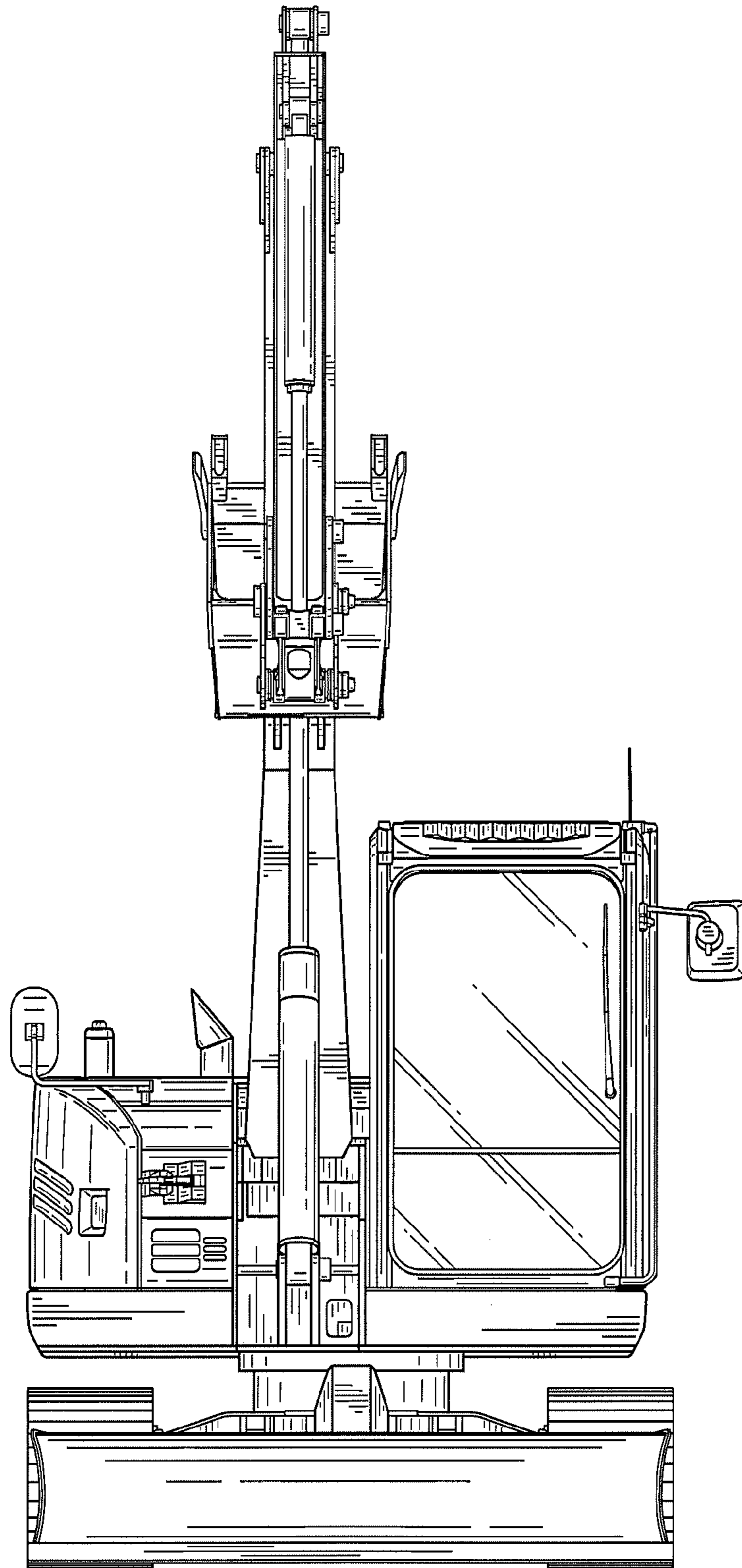


FIG. 4

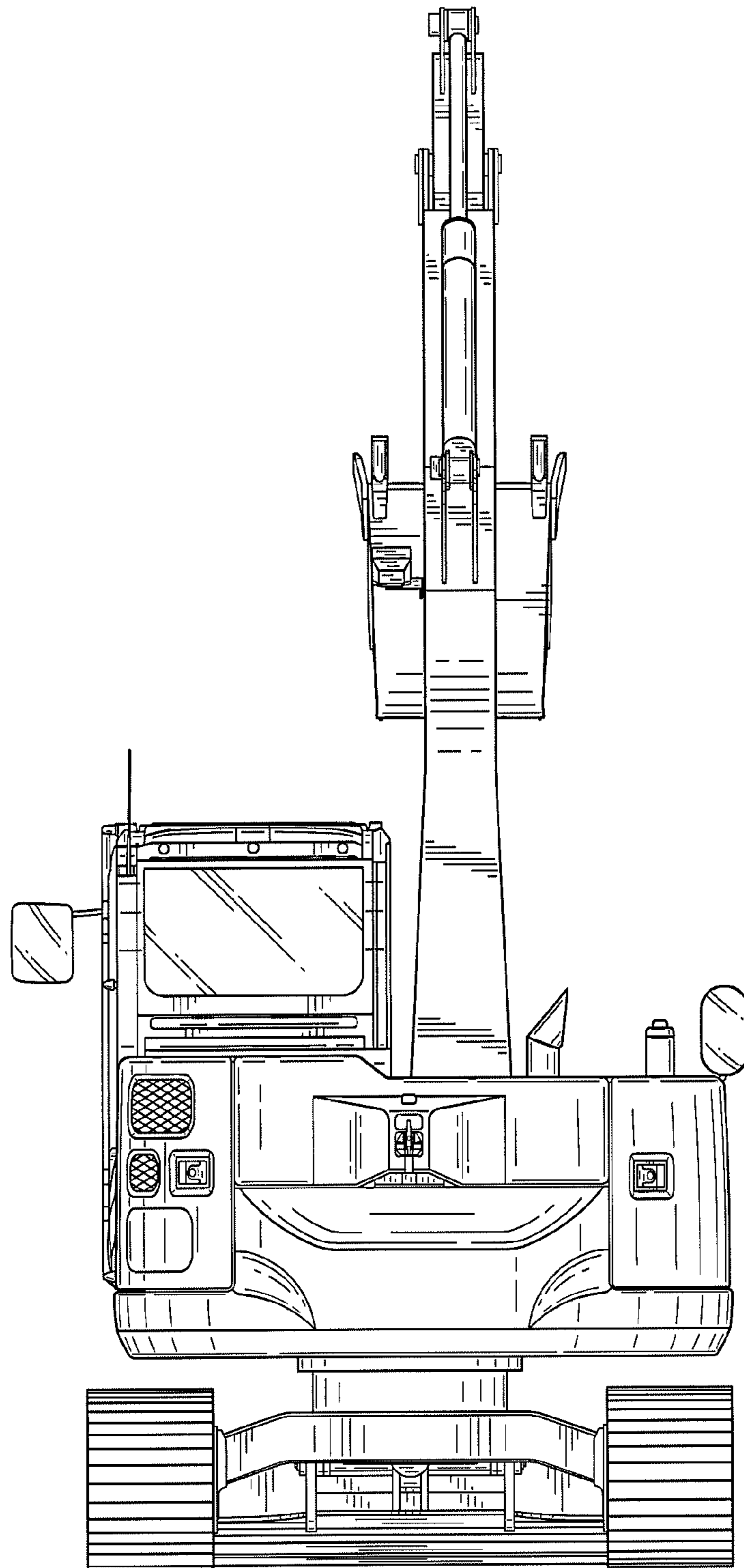


FIG. 5

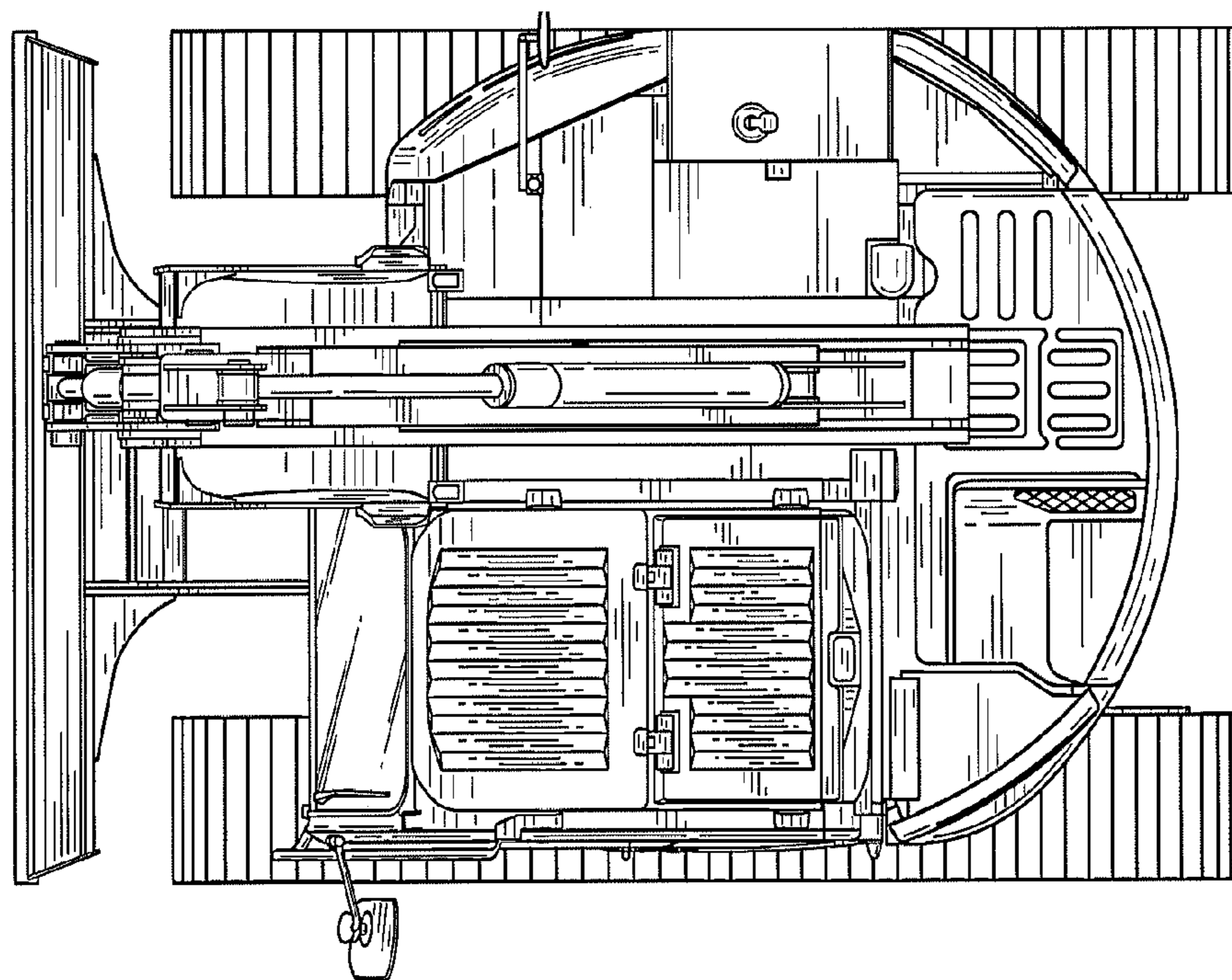


FIG. 6

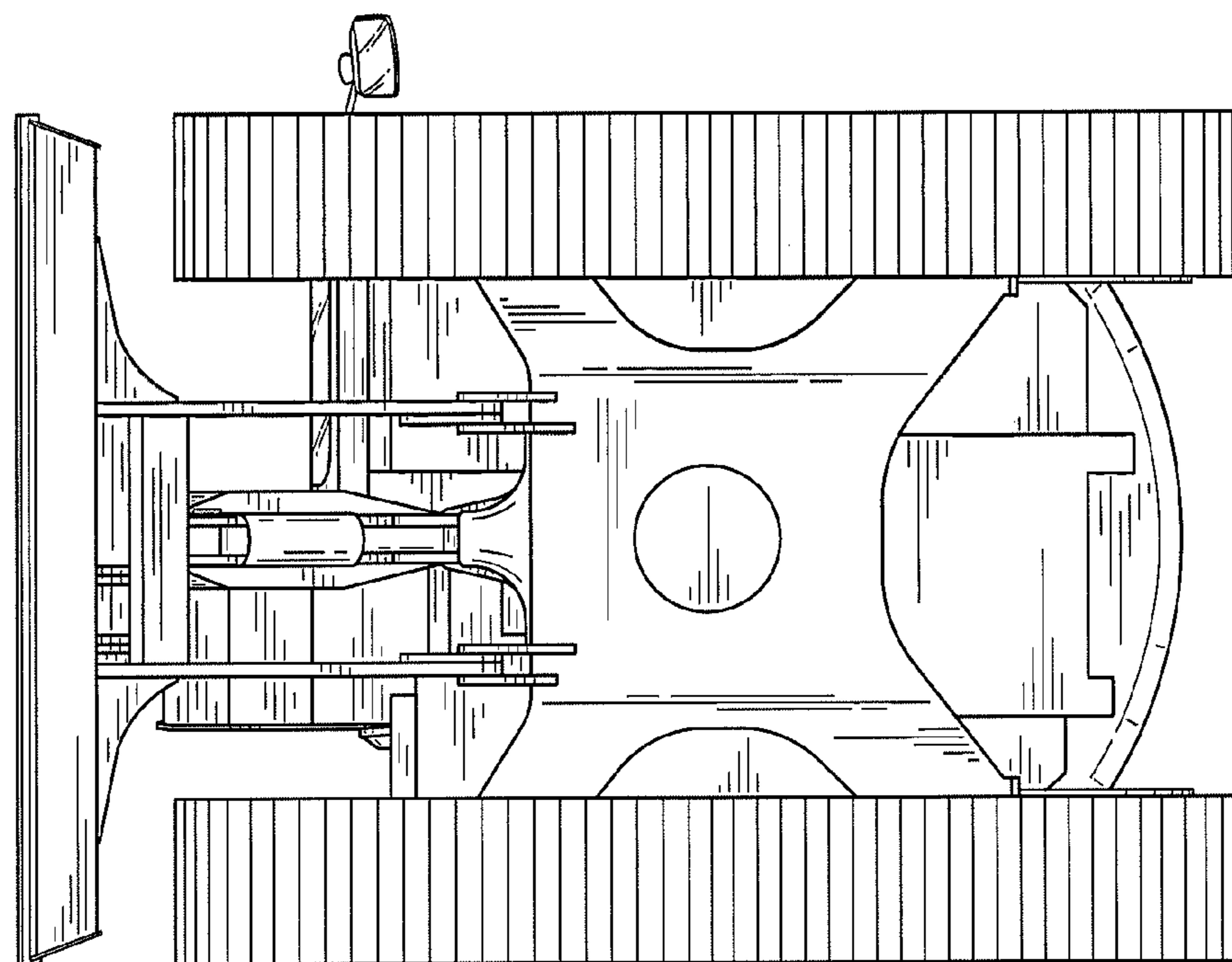


FIG. 7