



US00D695788S

(12) **United States Design Patent**
Wilkinson

(10) **Patent No.:** **US D695,788 S**

(45) **Date of Patent:** **** Dec. 17, 2013**

(54) **GLAND FOLLOWER WITH INTEGRAL
LOADING CYLINDERS FOR A ROTARY OR
RECIPROCATING MECHANICAL DEVICE**

(71) Applicant: **Mark R. Wilkinson**, Huntington, MA
(US)

(72) Inventor: **Mark R. Wilkinson**, Huntington, MA
(US)

(**) Term: **14 Years**

(21) Appl. No.: **29/433,397**

(22) Filed: **Sep. 28, 2012**

(51) **LOC (9) Cl.** **15-02**

(52) **U.S. Cl.**
USPC **D15/7**

(58) **Field of Classification Search**
USPC D15/5, 7-9; D23/231, 232, 225;
417/60, 235, 265, 321, 355, 358, 363,
417/359, 410.1, 415-416, 405, 900;
60/408, 412; 184/26-37; 415/140-147;
123/495, 509; 277/500, 551, 105, 575,
277/908, 431, 377; 251/288

See application file for complete search history.

(56) **References Cited**

U.S. PATENT DOCUMENTS

471,577	A *	3/1892	Stone	277/533
1,495,500	A *	5/1924	Stevens	277/431
D118,842	S *	2/1940	Tyler	D15/7
2,444,211	A *	6/1948	Wager	277/350
3,743,243	A *	7/1973	Scaramucci	251/288
4,583,747	A *	4/1986	Aufderhaar et al.	277/431
D363,500	S *	10/1995	Ichihara	D15/143
D371,139	S *	6/1996	Waskiewicz	D15/5
5,727,793	A *	3/1998	Gosselin	277/308

6,017,036	A *	1/2000	Murphy	277/385
7,174,913	B2 *	2/2007	Albizuri	137/556
D570,374	S *	6/2008	Hideki et al.	D15/7
D570,375	S *	6/2008	Hideki et al.	D15/7
D582,436	S *	12/2008	Shimomura et al.	D15/7
D582,437	S *	12/2008	Shimomura et al.	D15/7
D582,438	S *	12/2008	Shimomura et al.	D15/7
D582,439	S *	12/2008	Shimomura et al.	D15/7
D582,440	S *	12/2008	Shimomura et al.	D15/7
D582,441	S *	12/2008	Shimomura et al.	D15/7
D631,066	S *	1/2011	Itadani et al.	D15/9
D654,508	S *	2/2012	Foreman	D15/7
8,474,826	B2 *	7/2013	Villeneuve et al.	277/377

* cited by examiner

Primary Examiner — Ralf Seifert

(74) *Attorney, Agent, or Firm* — Michael I. Wolfson

(57) **CLAIM**

The ornamental design for a gland follower with integral loading cylinders for a rotary or reciprocating mechanical device, as shown and described.

DESCRIPTION

FIG. 1 is a top front perspective view of a gland follower with integral loading cylinders for a rotary or reciprocating device showing my new design;

FIG. 2 is a top plan view thereof;

FIG. 3 is a bottom plan view thereof;

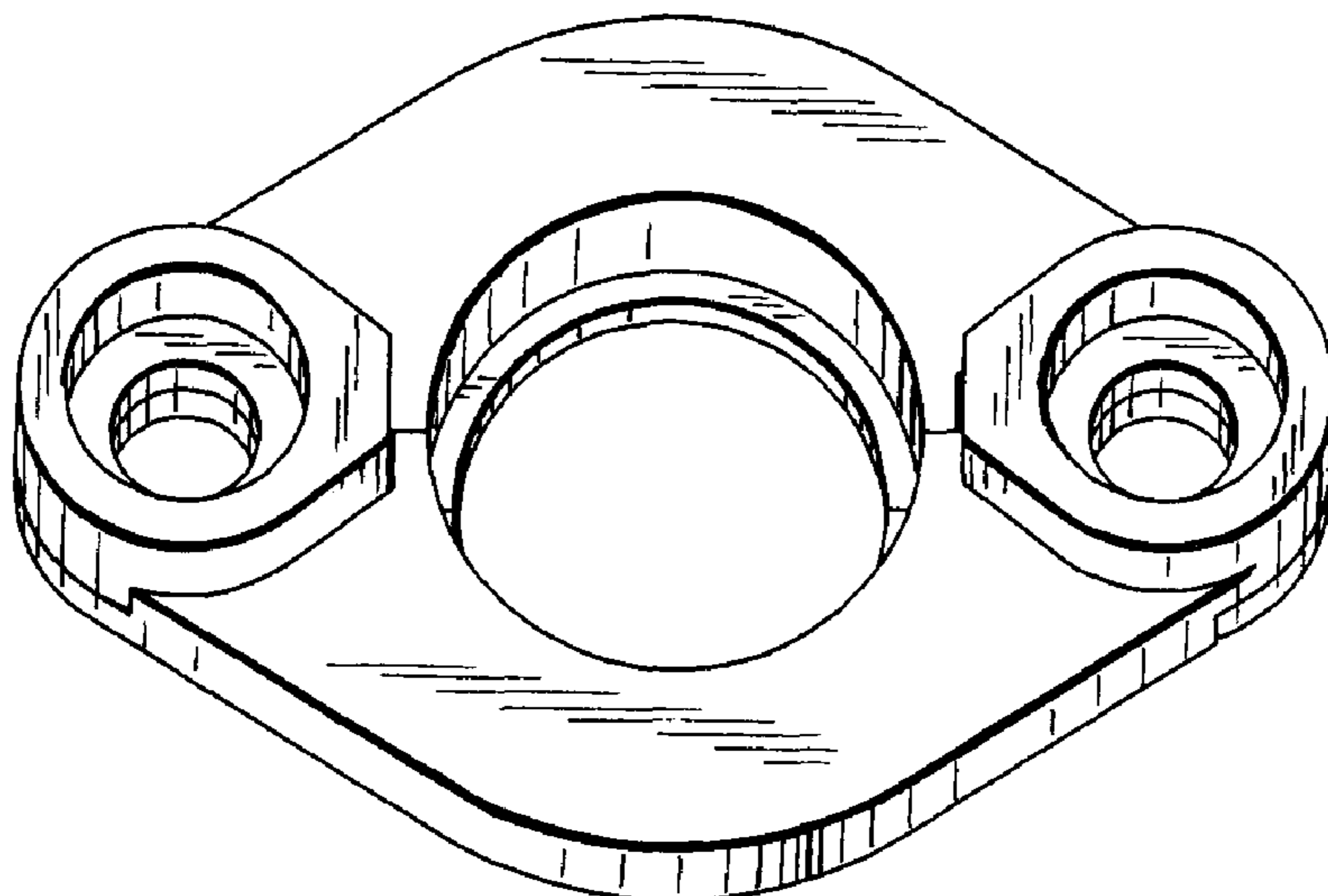
FIG. 4 is a front elevational view thereof with the back elevational view being the same;

FIG. 5 is a right side elevational view thereof with the left side elevational view being the same; and

FIG. 6 is a top plan view showing the two elements of my gland follower spaced apart; and,

FIG. 7 is a top front perspective view of the two elements of FIG. 6.

1 Claim, 4 Drawing Sheets



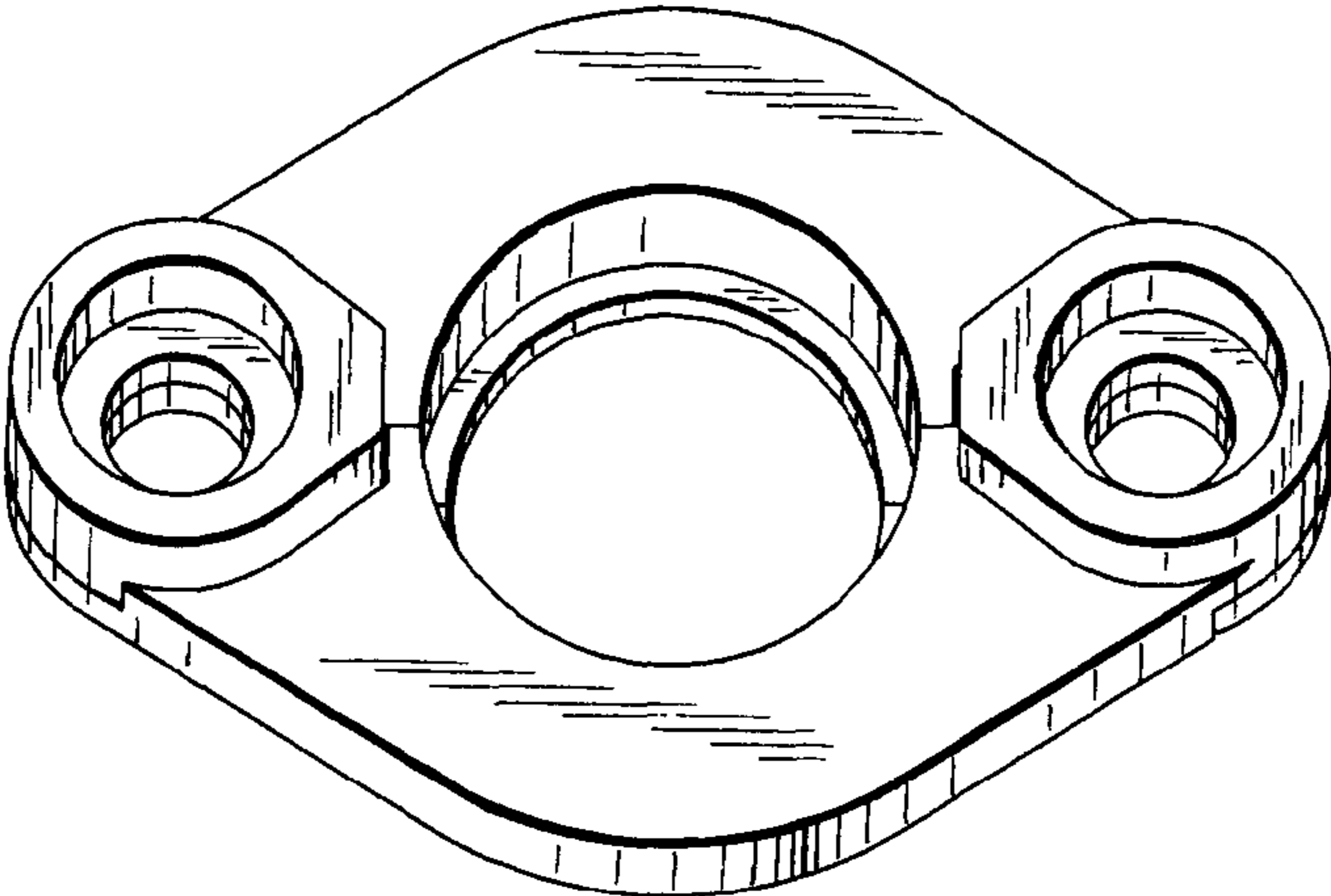


FIG. 1

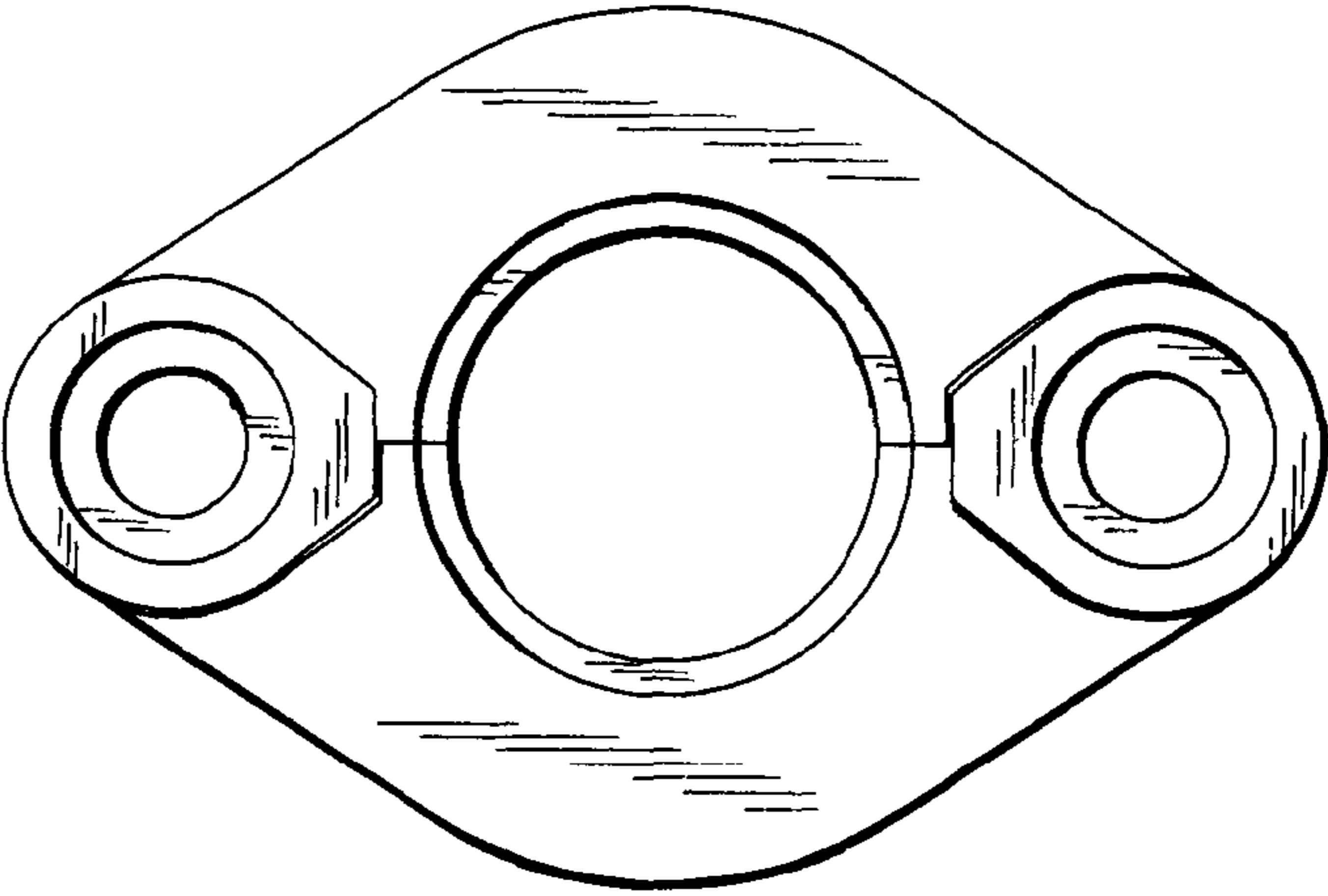


FIG. 2

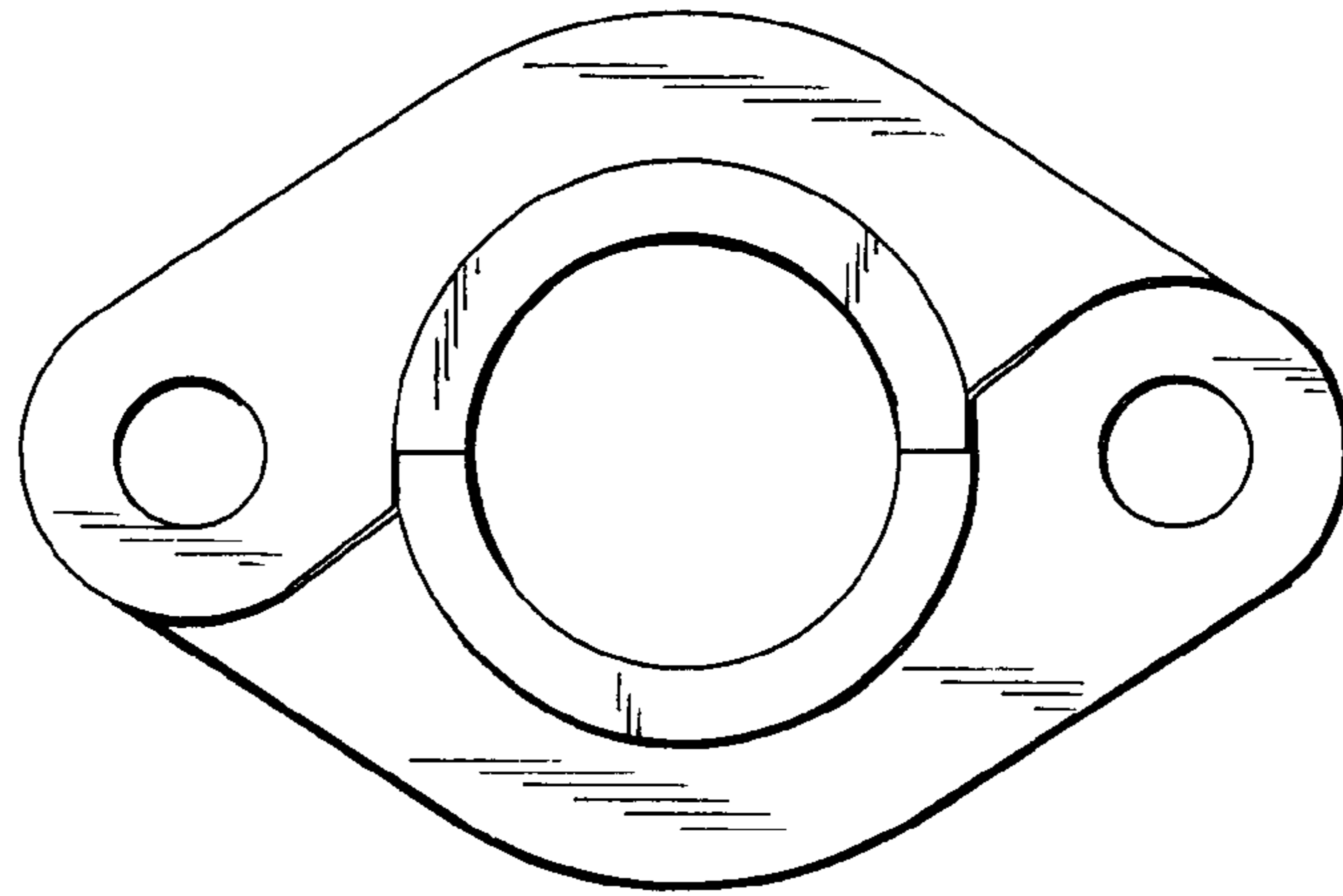


FIG.3

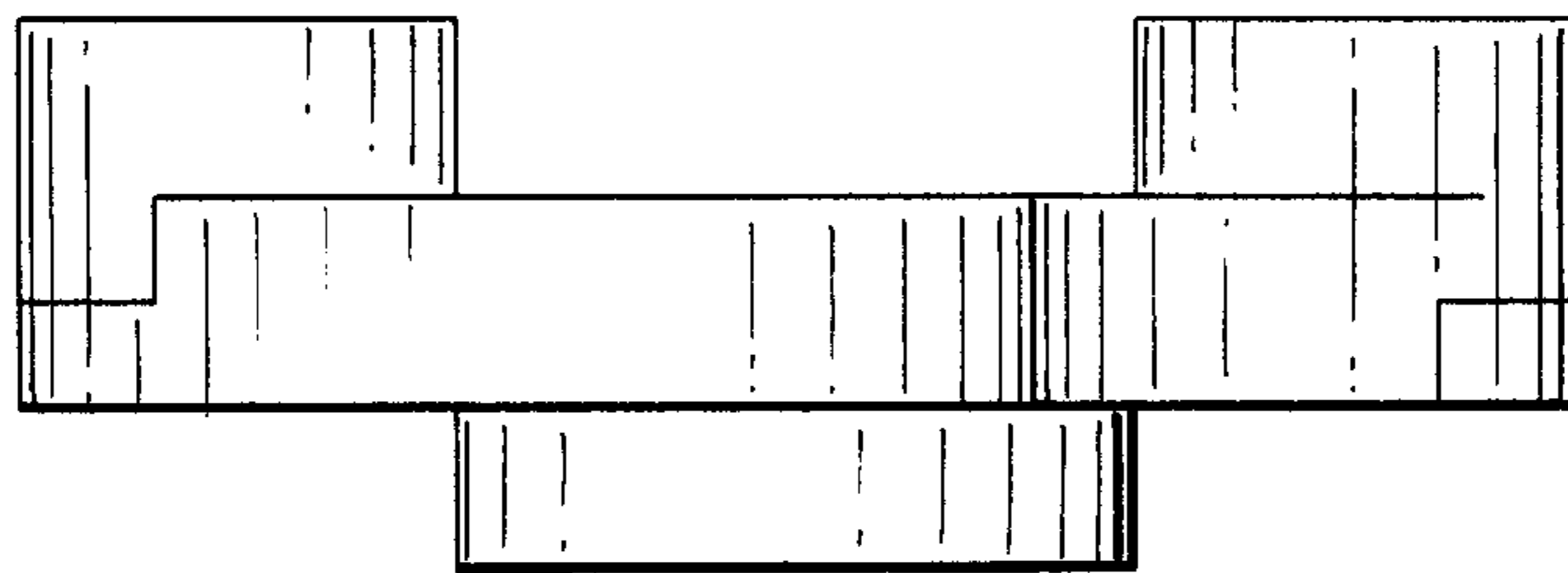


FIG.4

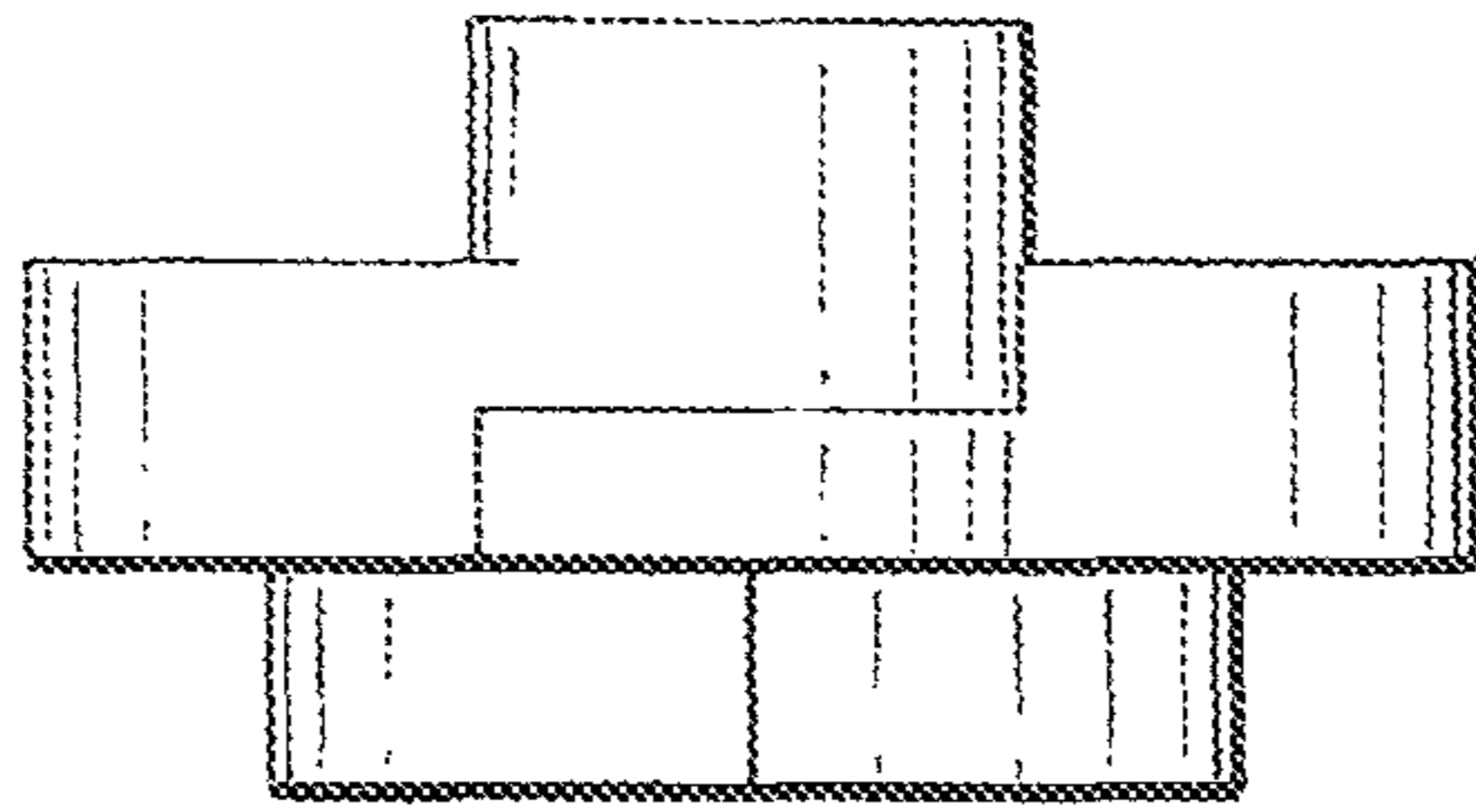


FIG. 5

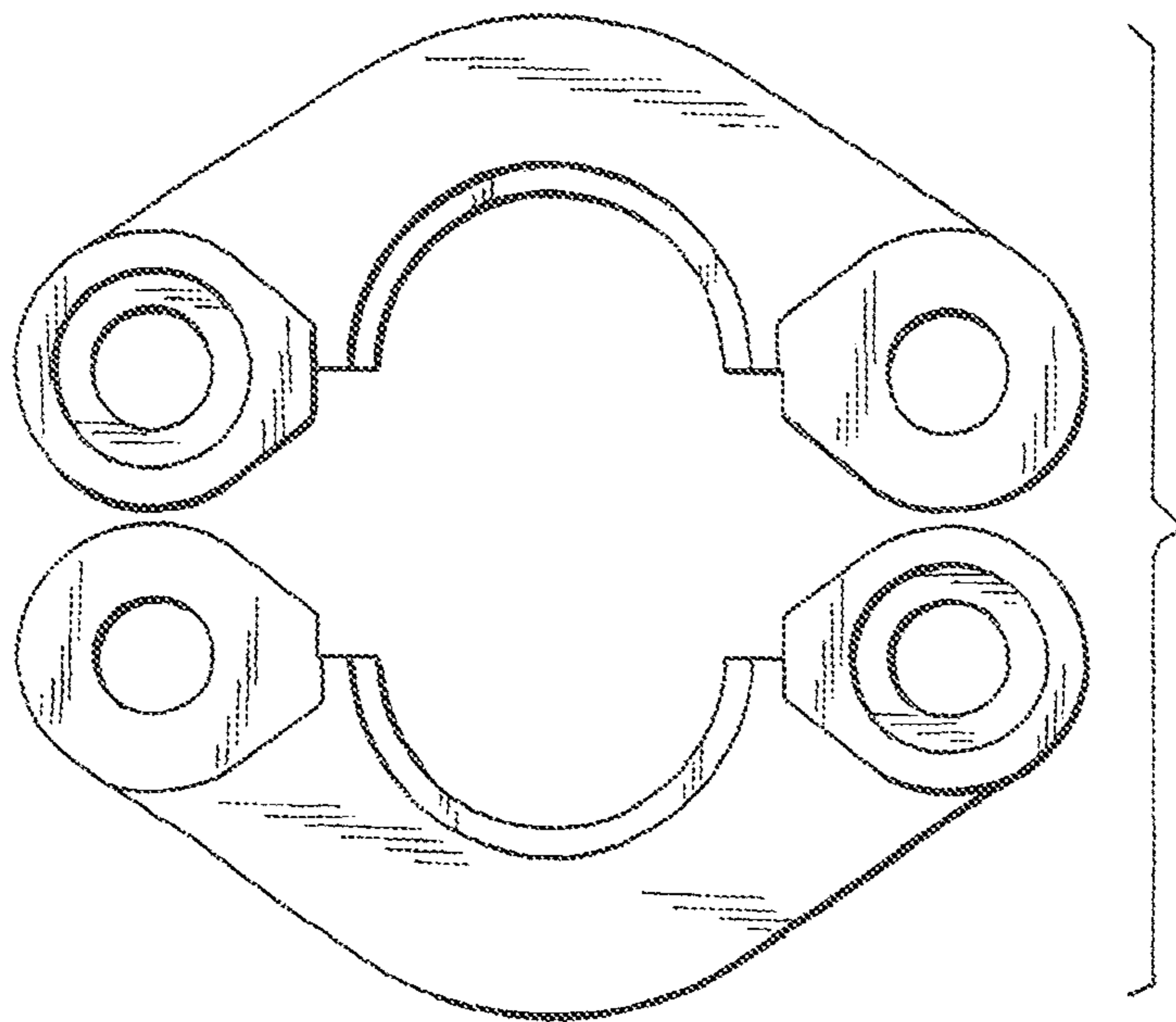


FIG. 6

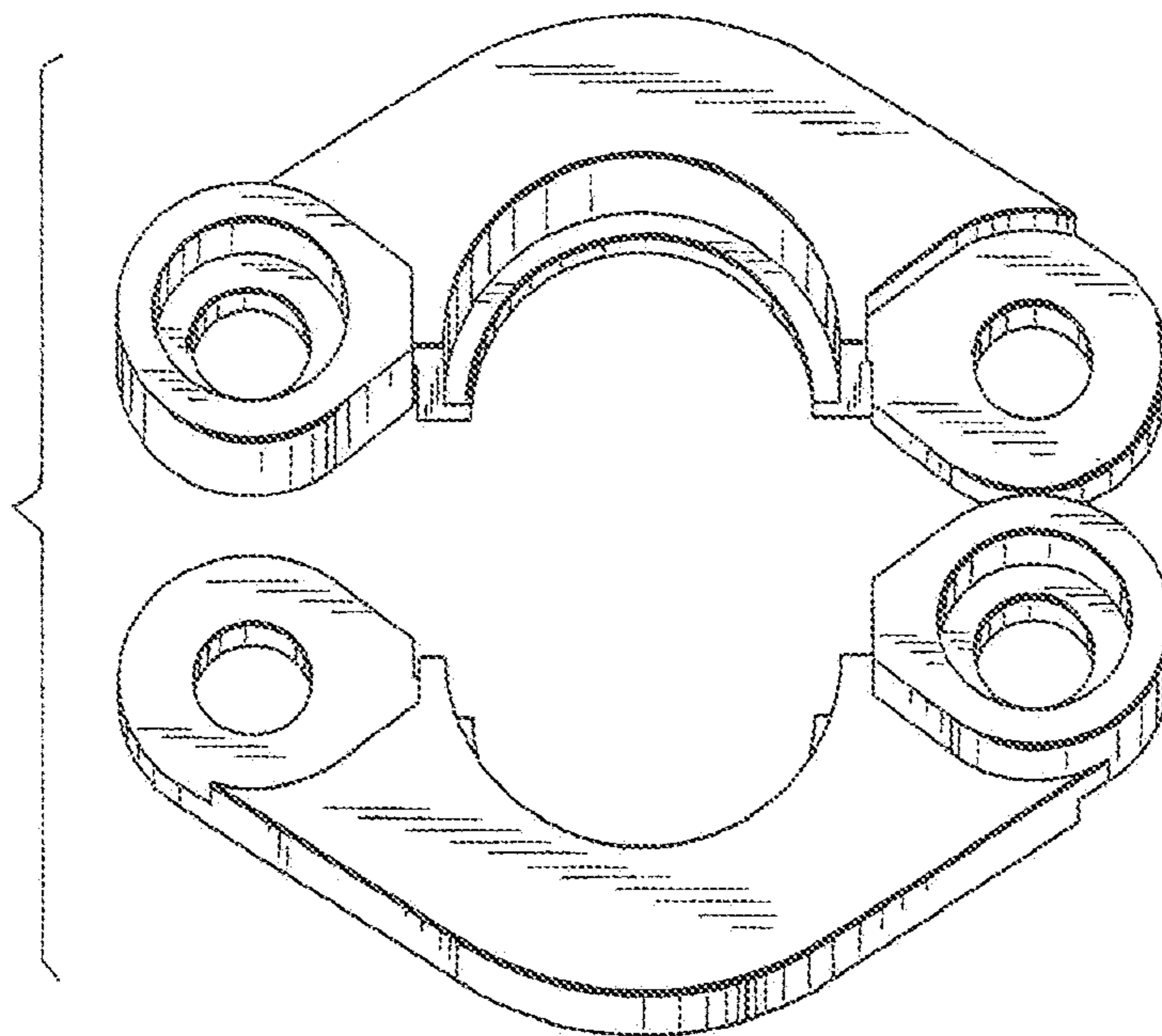


FIG. 7