



US00D695784S

(12) **United States Design Patent**
Jang et al.

(10) **Patent No.:** **US D695,784 S**

(45) **Date of Patent:** **** Dec. 17, 2013**

(54) **DISPLAY SCREEN PORTION WITH ICON**

(56) **References Cited**

(75) Inventors: **Chul-Ho Jang**, Seoul (KR); **Joong-Hun Kwon**, Seoul (KR); **Hyung-Joo Jin**, Seoul (KR)

U.S. PATENT DOCUMENTS

1,726,817	A *	9/1929	Franklin	40/608
D347,025	S *	5/1994	Asselin	D20/41
5,621,456	A *	4/1997	Florin et al.	725/43
D677,326	S *	3/2013	Gleasant et al.	D18/27
2009/0178007	A1 *	7/2009	Matas et al.	715/835
2011/0252376	A1 *	10/2011	Chaudhri	715/835

(73) Assignee: **Samsung Electronics Co., Ltd.**, Suwon-si (KR)

OTHER PUBLICATIONS

Clipboard—Trademark Registration No. 3886189, Dec. 7, 2010
First used in commerce—Sep. 13, 2007 Apple Inc. Corporation California.*

(**) Term: **14 Years**

* cited by examiner

(21) Appl. No.: **29/428,847**

Primary Examiner — Mary Ann Calabrese
(74) *Attorney, Agent, or Firm* — NSIP Law

(22) Filed: **Aug. 3, 2012**

(30) **Foreign Application Priority Data**

Mar. 29, 2012 (KR) 30-2012-0014948

(57) **CLAIM**

(51) **LOC (9) Cl.** **14-04**

The ornamental design for an display screen portion with icon, as shown and described.

(52) **U.S. Cl.**

DESCRIPTION

USPC **D14/492**

(58) **Field of Classification Search**

USPC D14/485–495; D18/24–33; D20/11, 12, D20/18, 22–28; 715/700, 703, 706, 715, 715/716, 727, 728, 772, 776, 777, 779, 810, 715/825, 834, 835, 836, 837, 838, 839, 840, 715/845, 846, 847, 849, 856, 857, 858, 859, 715/860, 861, 862, 864, 963, 976, 97

FIG. 1 is a front view of an display screen portion with icon showing my new design; and, FIG. 2 is a front view of the display screen portion with icon of FIG. 1, in which a mobile terminal in broken lines is provided to illustrate an example environment. The broken line drawing of the mobile terminal, and the symbols and otherwise images shown in broken lines in FIG. 2 are for illustrative purposes only and form no part of the claimed design.

See application file for complete search history.

1 Claim, 2 Drawing Sheets

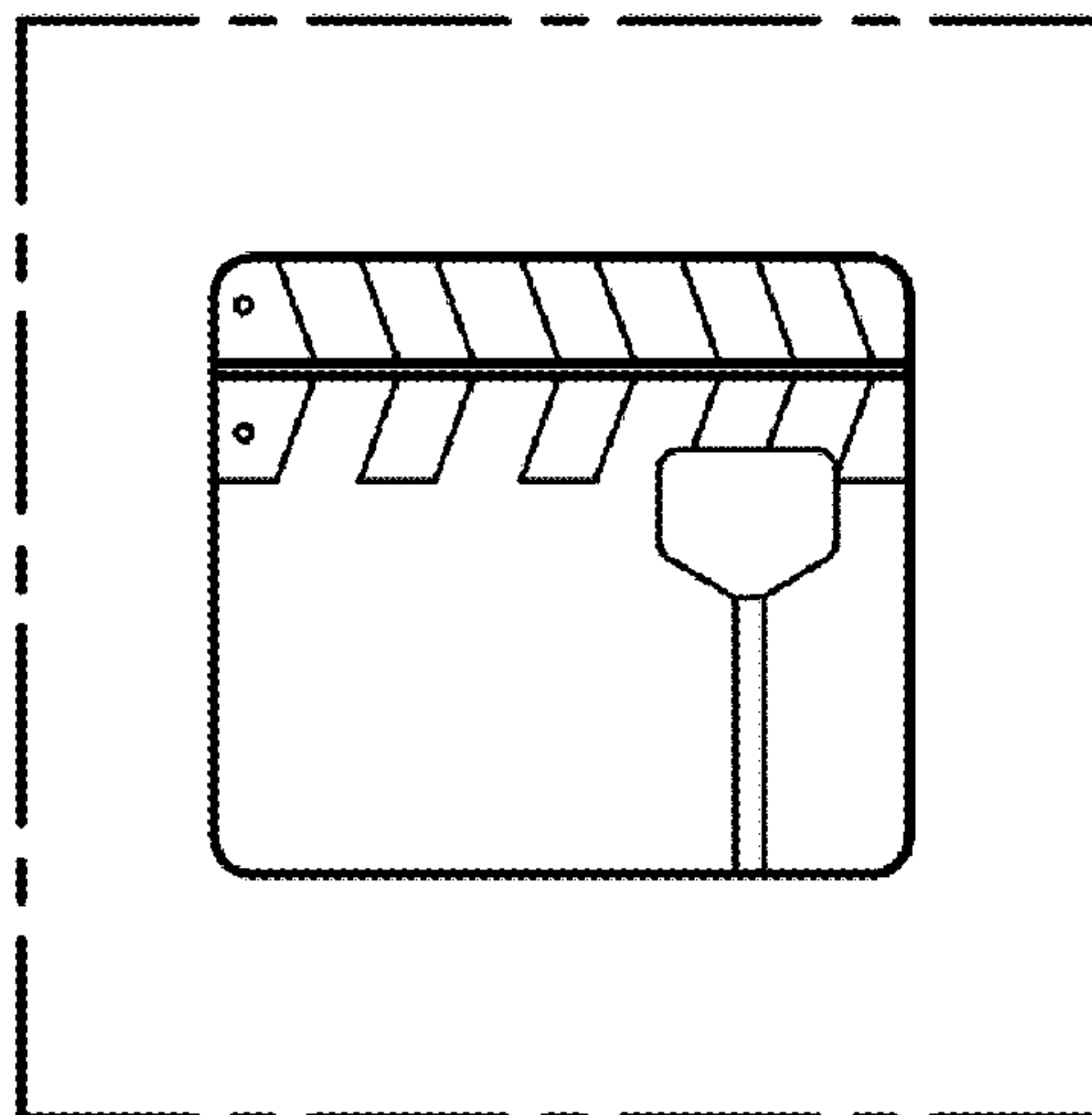


FIG. 1

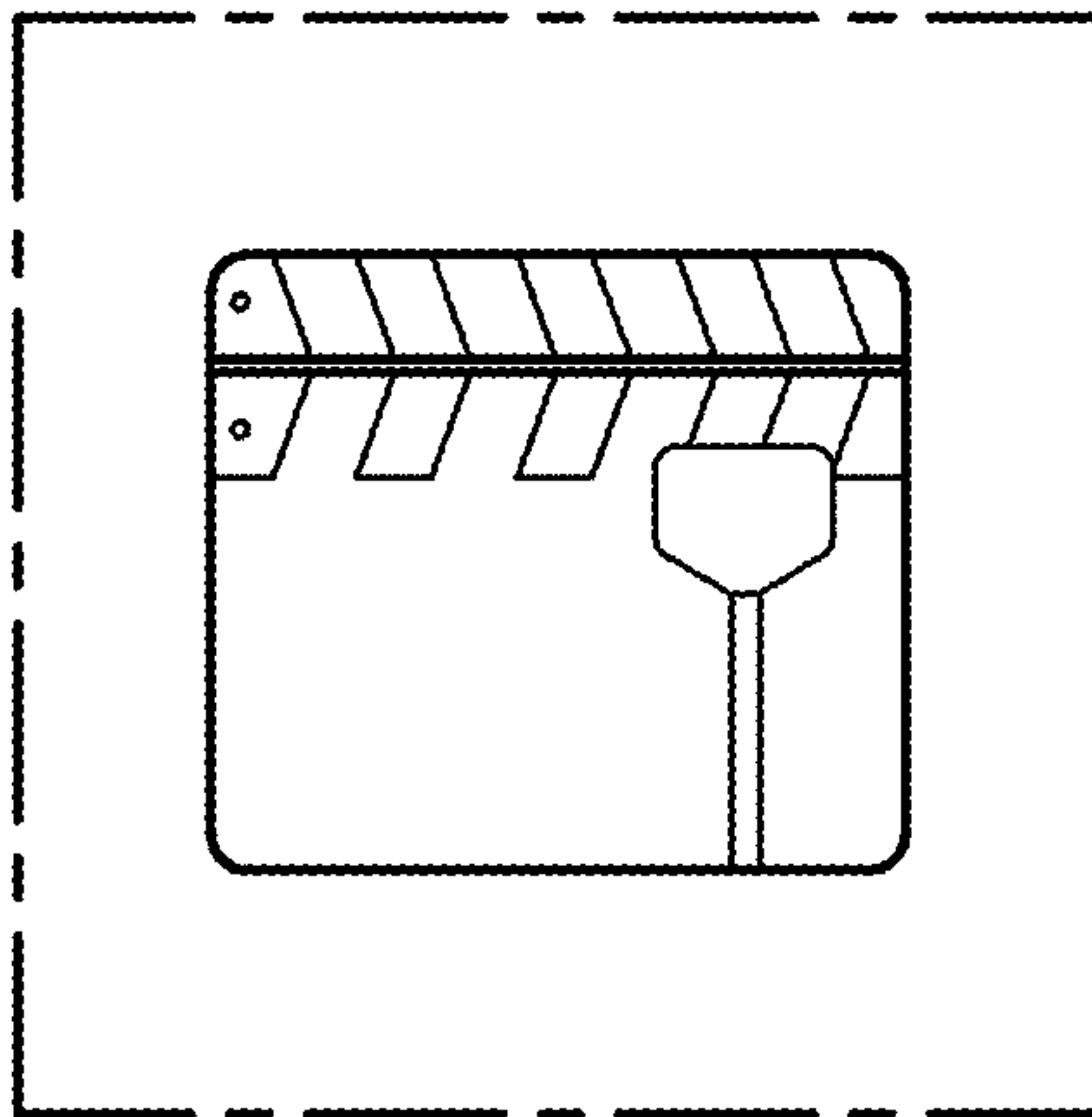


FIG. 2

