

US00D695783S

(12) **United States Design Patent**
Edwards et al.

(10) **Patent No.:** **US D695,783 S**

(45) **Date of Patent:** **** Dec. 17, 2013**

(54) **DISPLAY SCREEN WITH ANIMATED GRAPHICAL USER INTERFACE**

(75) Inventors: **Christopher D. Edwards**, Seattle, WA (US); **Mark E. Pearson**, Renton, WA (US); **Jonathan Esterly**, Kirkland, WA (US)

(73) Assignee: **Microsoft Corporation**, Redmond, WA (US)

(**) Term: **14 Years**

(21) Appl. No.: **29/423,126**

(22) Filed: **May 29, 2012**

(51) **LOC (9) Cl.** **14-04**

(52) **U.S. Cl.**

USPC **D14/492**; D14/488

(58) **Field of Classification Search**

USPC D14/485–488, 492; 715/836

See application file for complete search history.

(56) **References Cited**

U.S. PATENT DOCUMENTS

5,303,388	A *	4/1994	Kreitman et al.	715/836
6,236,398	B1 *	5/2001	Kojima et al.	345/419
6,522,347	B1 *	2/2003	Tsuji et al.	715/848
6,693,652	B1 *	2/2004	Barrus et al.	715/838
D511,168	S *	11/2005	Totten et al.	D14/491
D550,229	S *	9/2007	Sato et al.	D14/486
7,412,667	B2 *	8/2008	Chrysanthakopoulos	715/853
D576,635	S *	9/2008	Nathan et al.	D14/488
D578,544	S *	10/2008	Nathan et al.	D14/488
D588,606	S *	3/2009	Nathan et al.	D14/488
7,543,245	B2 *	6/2009	Irimajiri	715/836
D598,028	S *	8/2009	Motouji et al.	D14/489
D602,027	S *	10/2009	Queric	D14/485
7,685,619	B1 *	3/2010	Herz	725/52
7,761,813	B2 *	7/2010	Kim et al.	715/836
D623,657	S *	9/2010	Fitzmaurice et al.	D14/488
D650,789	S	12/2011	Arnold	
D652,841	S *	1/2012	Arnold	D14/488
8,302,027	B2 *	10/2012	Chiu et al.	715/789

8,429,564 B2 * 4/2013 Alexanderovitch et al. 715/852

* cited by examiner

Primary Examiner — Karen E Kearney

(74) *Attorney, Agent, or Firm* — Banner & Witcoff, Ltd.

(57) **CLAIM**

The ornamental design for a display screen with animated graphical user interface, as shown and described.

DESCRIPTION

FIG. 1 is a front view of the first image in a sequence for a display screen with animated graphical user interface showing our new design;

FIG. 2 is the second image thereof;

FIG. 3 is the third image thereof;

FIG. 4 is the fourth image thereof;

FIG. 5 is the fifth image thereof;

FIG. 6 is the sixth image thereof;

FIG. 7 is the seventh image thereof;

FIG. 8 is the eighth image thereof;

FIG. 9 is the ninth image thereof;

FIG. 10 is the tenth image thereof;

FIG. 11 is the eleventh image thereof;

FIG. 12 is the twelfth image thereof;

FIG. 13 is the thirteenth image thereof;

FIG. 14 is the fourteenth image thereof;

FIG. 15 is the fifteenth image thereof;

FIG. 16 is the sixteenth image thereof;

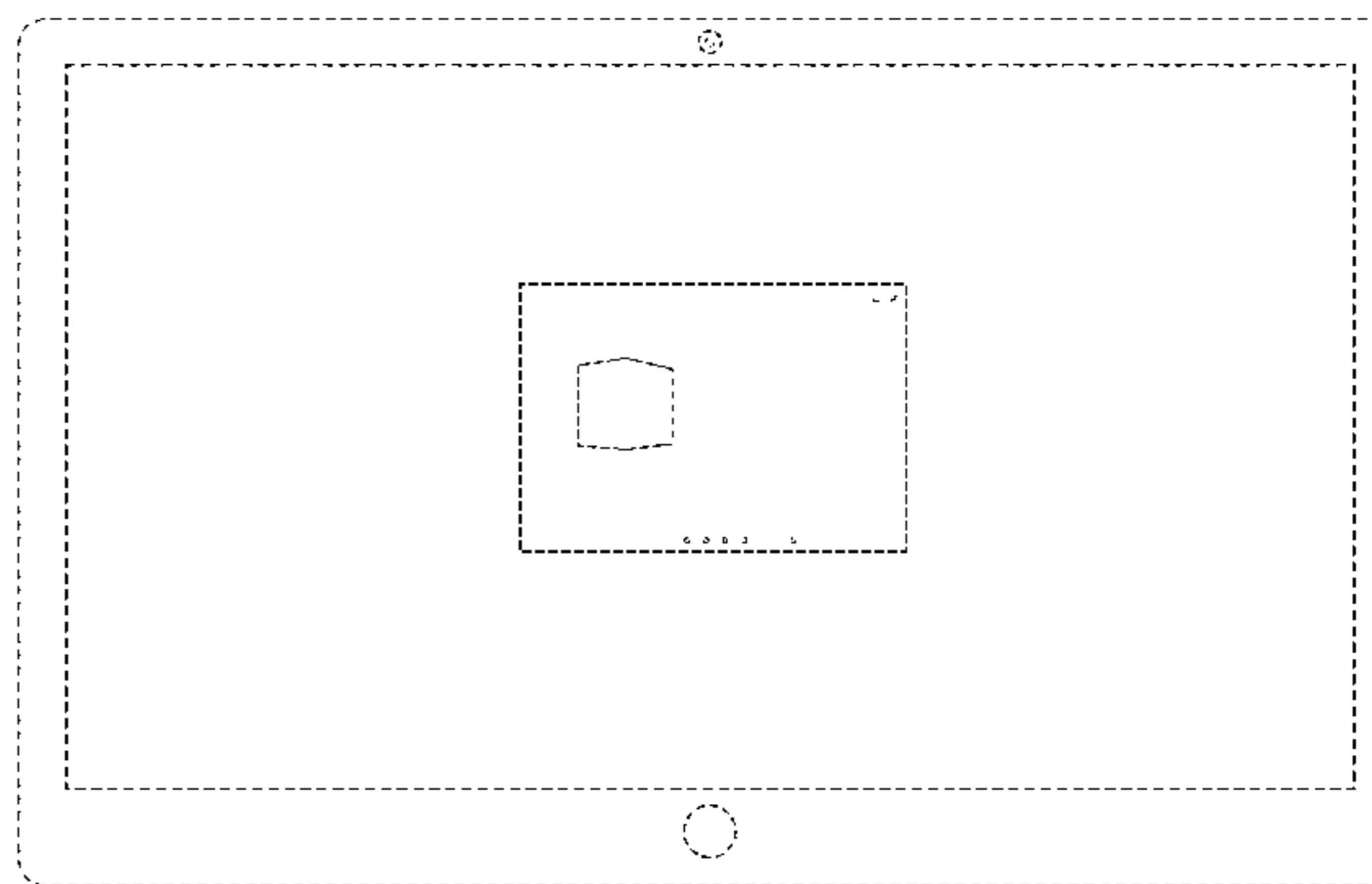
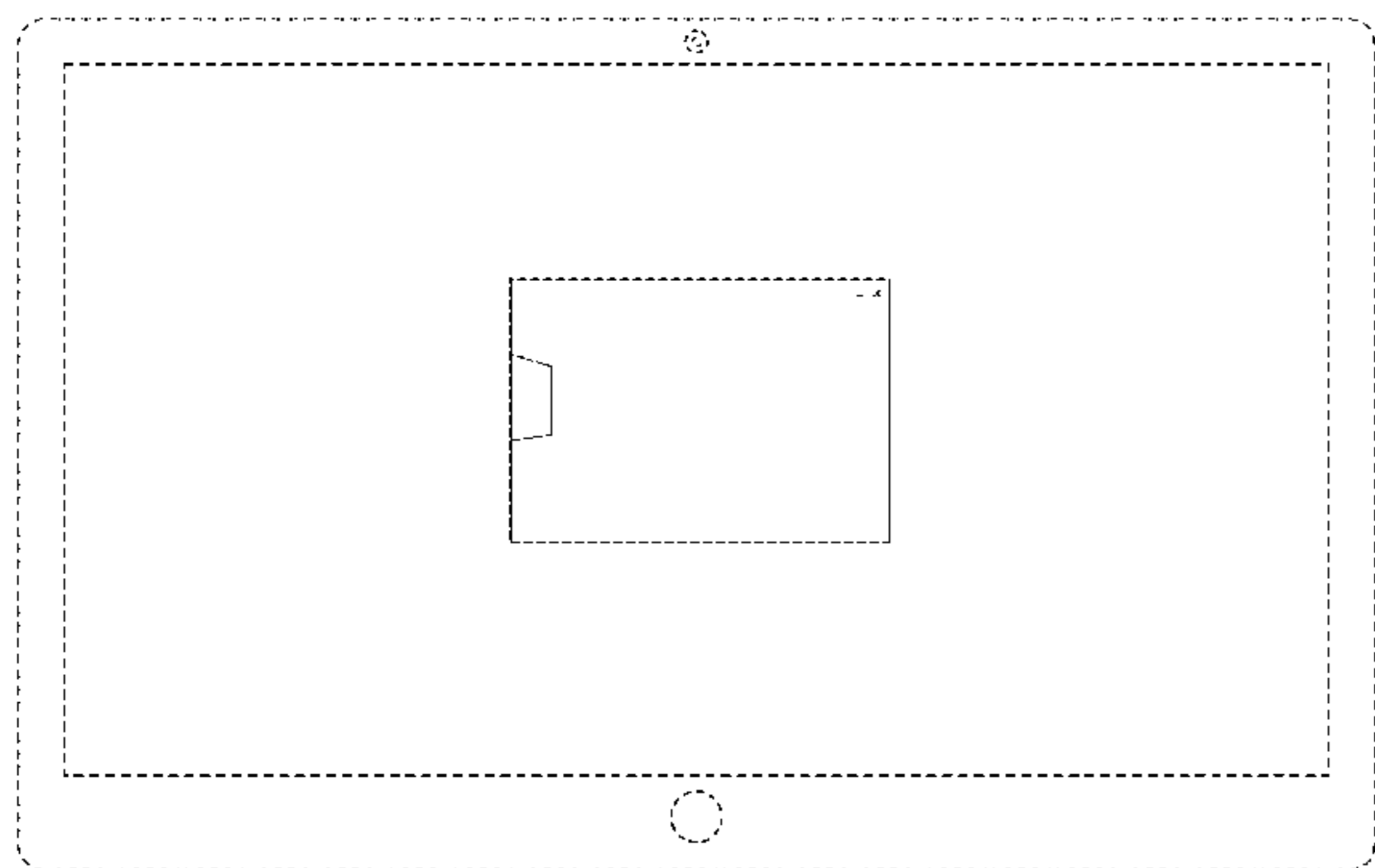
FIG. 17 is the seventeenth image thereof;

FIG. 18 is the eighteenth image thereof; and,

FIG. 19 is the nineteenth image thereof.

The appearance of the animated user interface sequentially transitions between the images shown in FIGS. 1-19. The process or period in which one image transitions to another forms no part of the claimed design. The broken line showing of the remainder of the user interface and display screen is for environmental purposes only and forms no part of the claimed design.

1 Claim, 19 Drawing Sheets



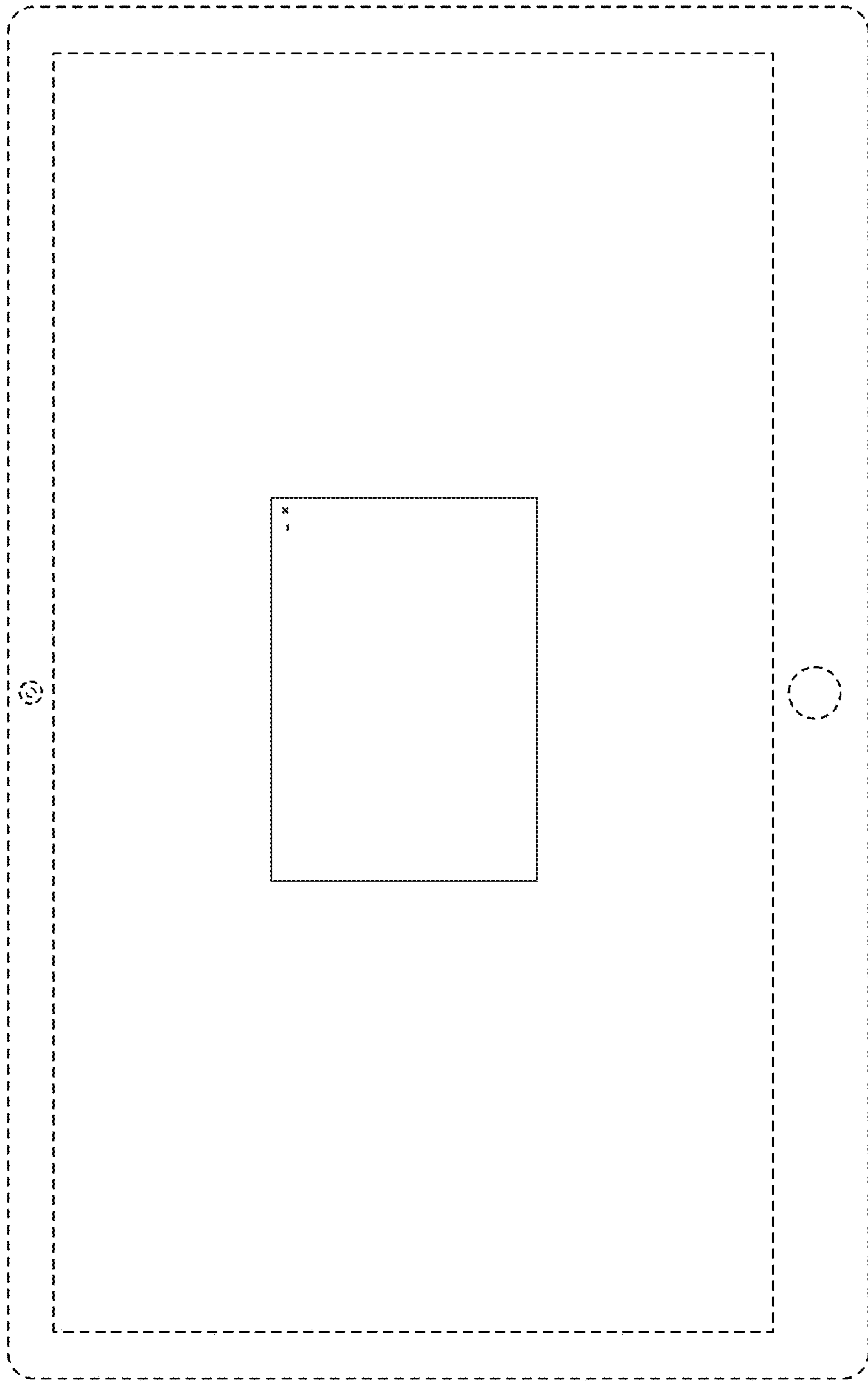


FIG. 1

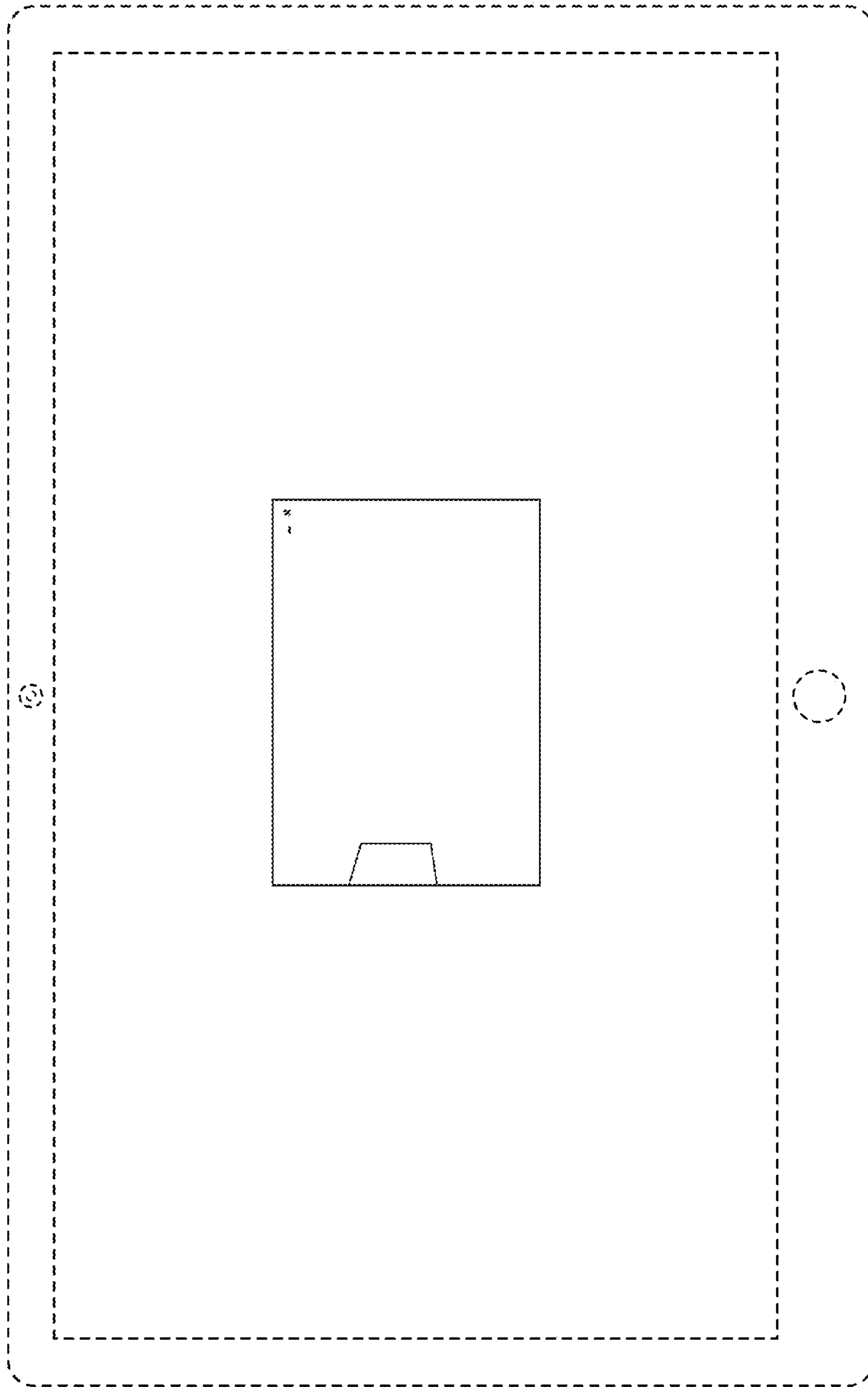


FIG. 2

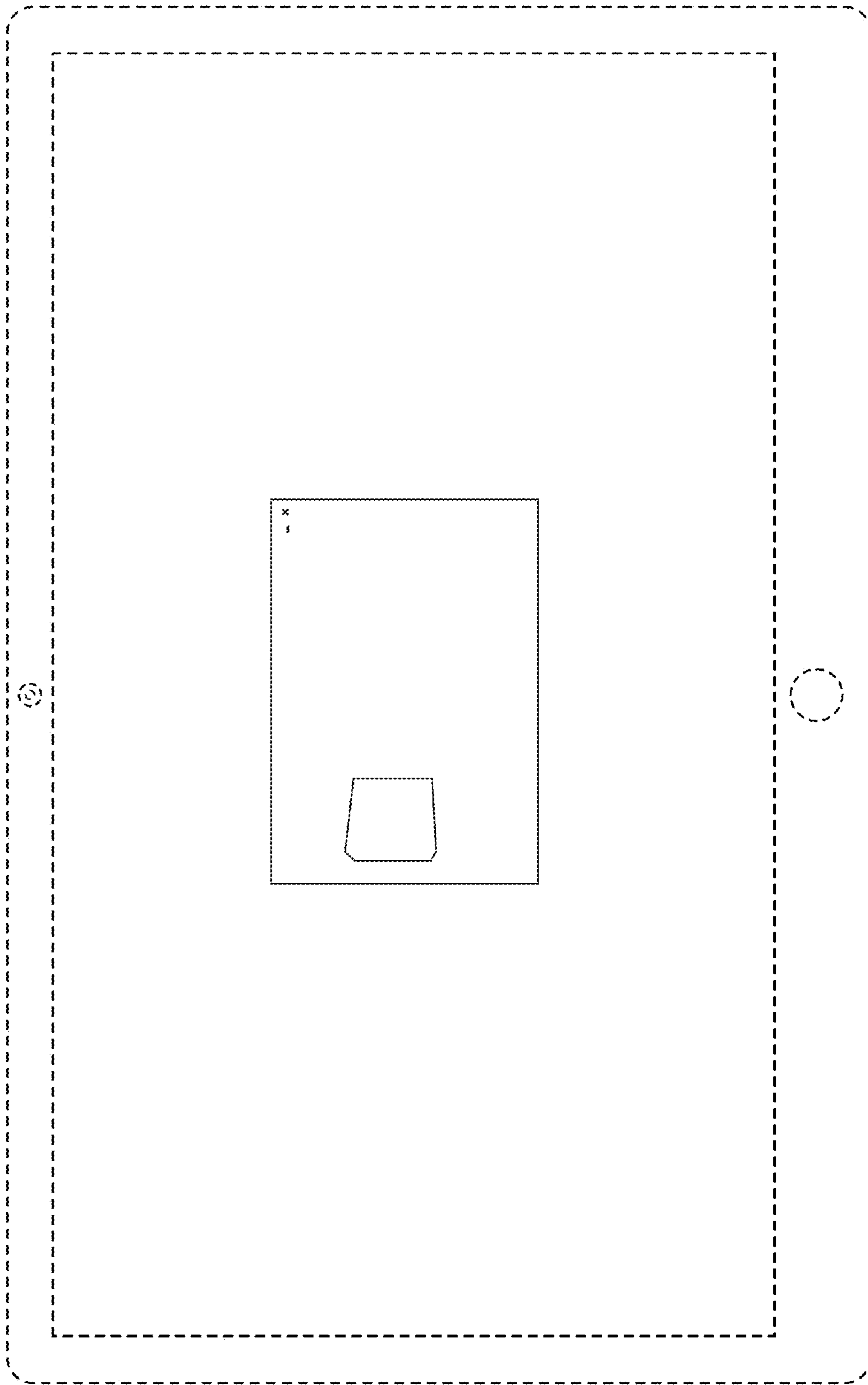


FIG. 3

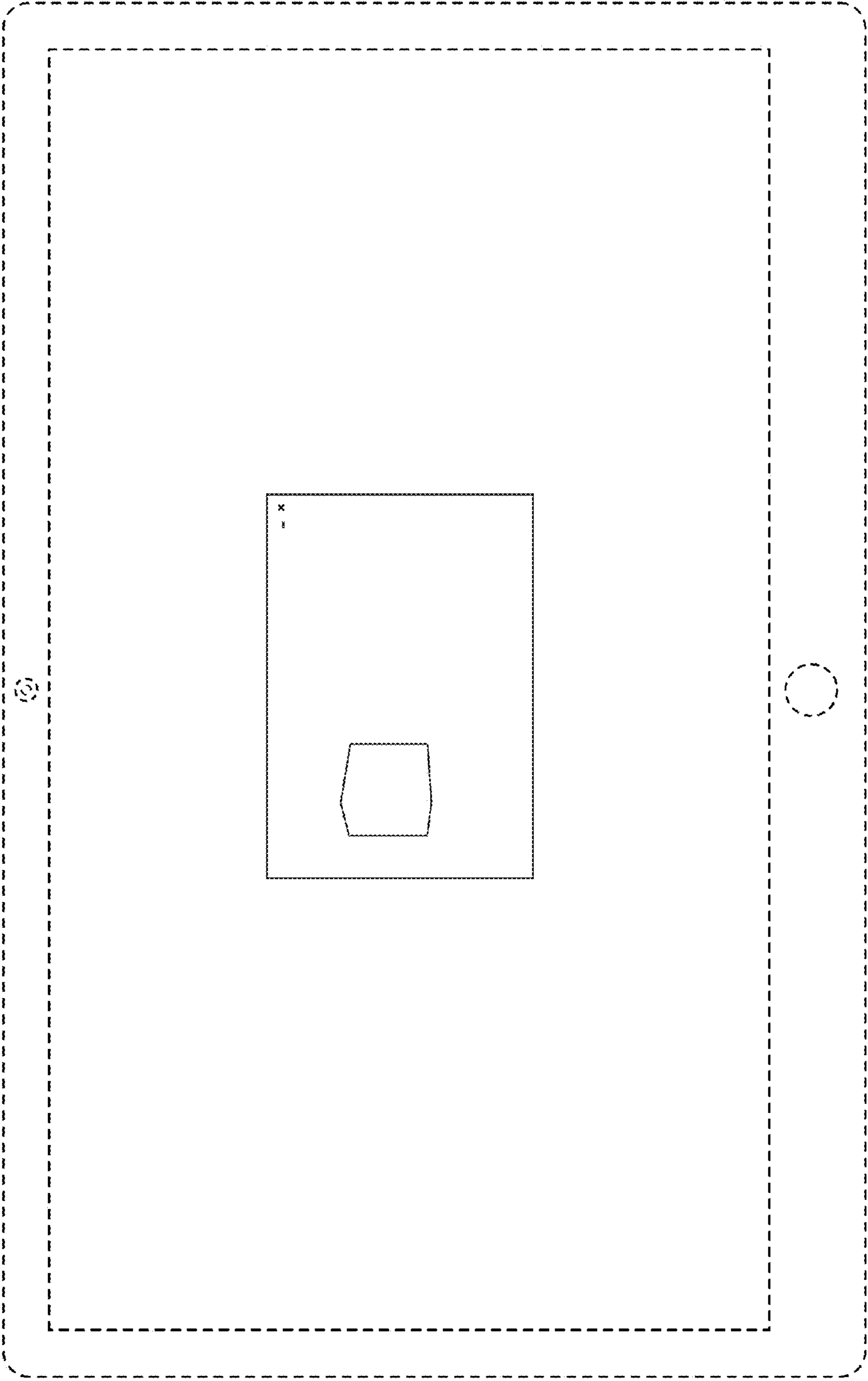


FIG. 4

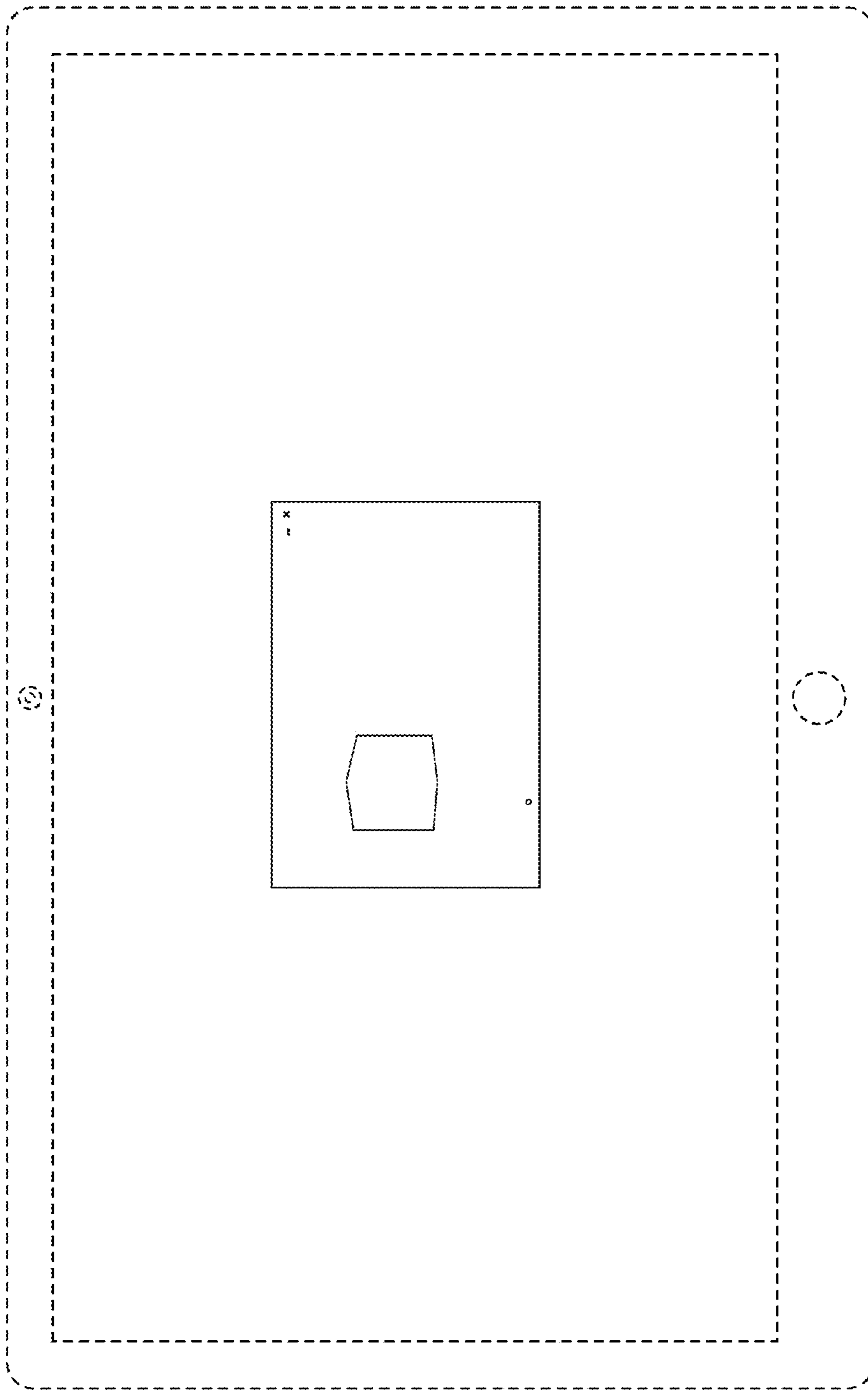


FIG. 5

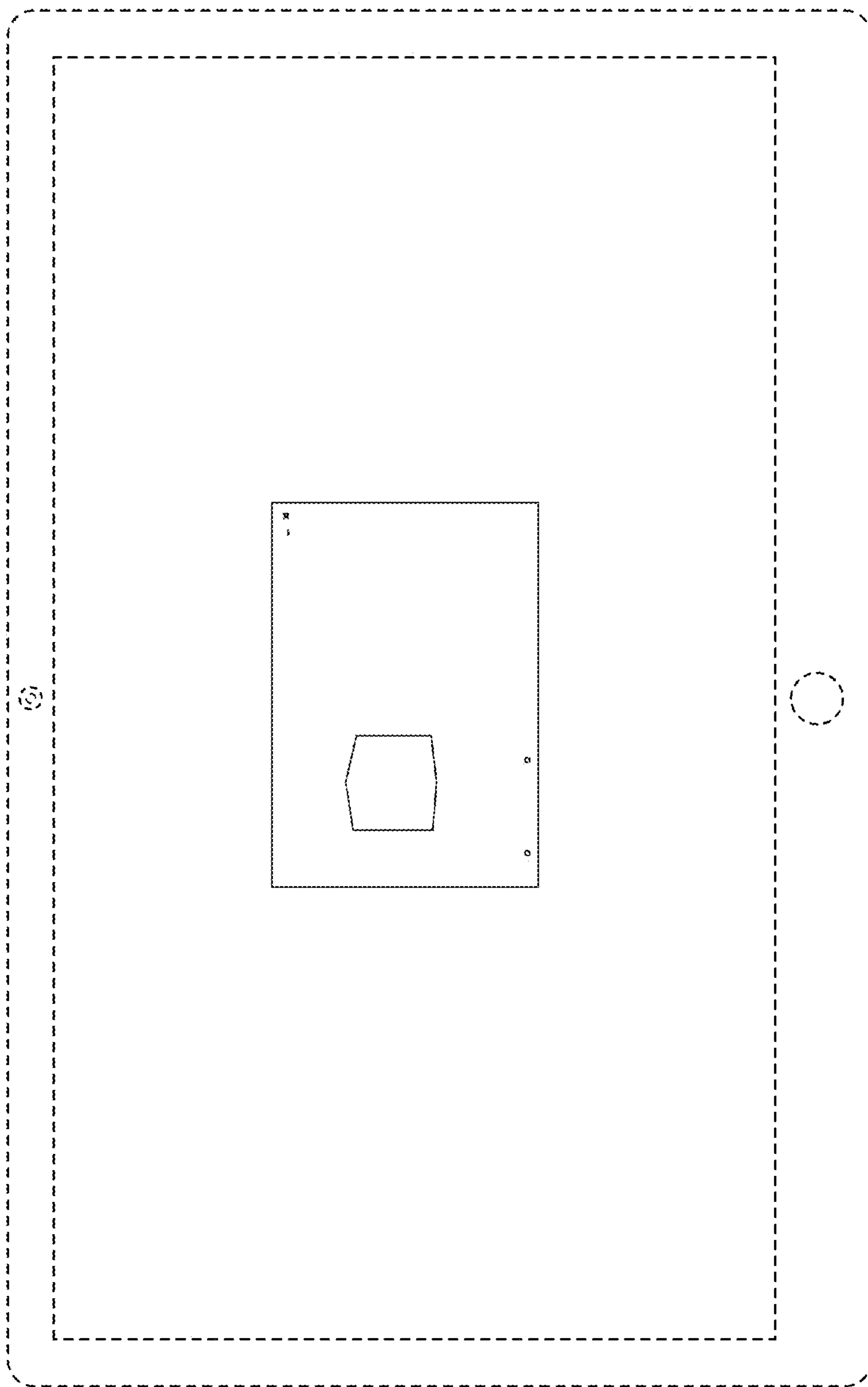


FIG. 6

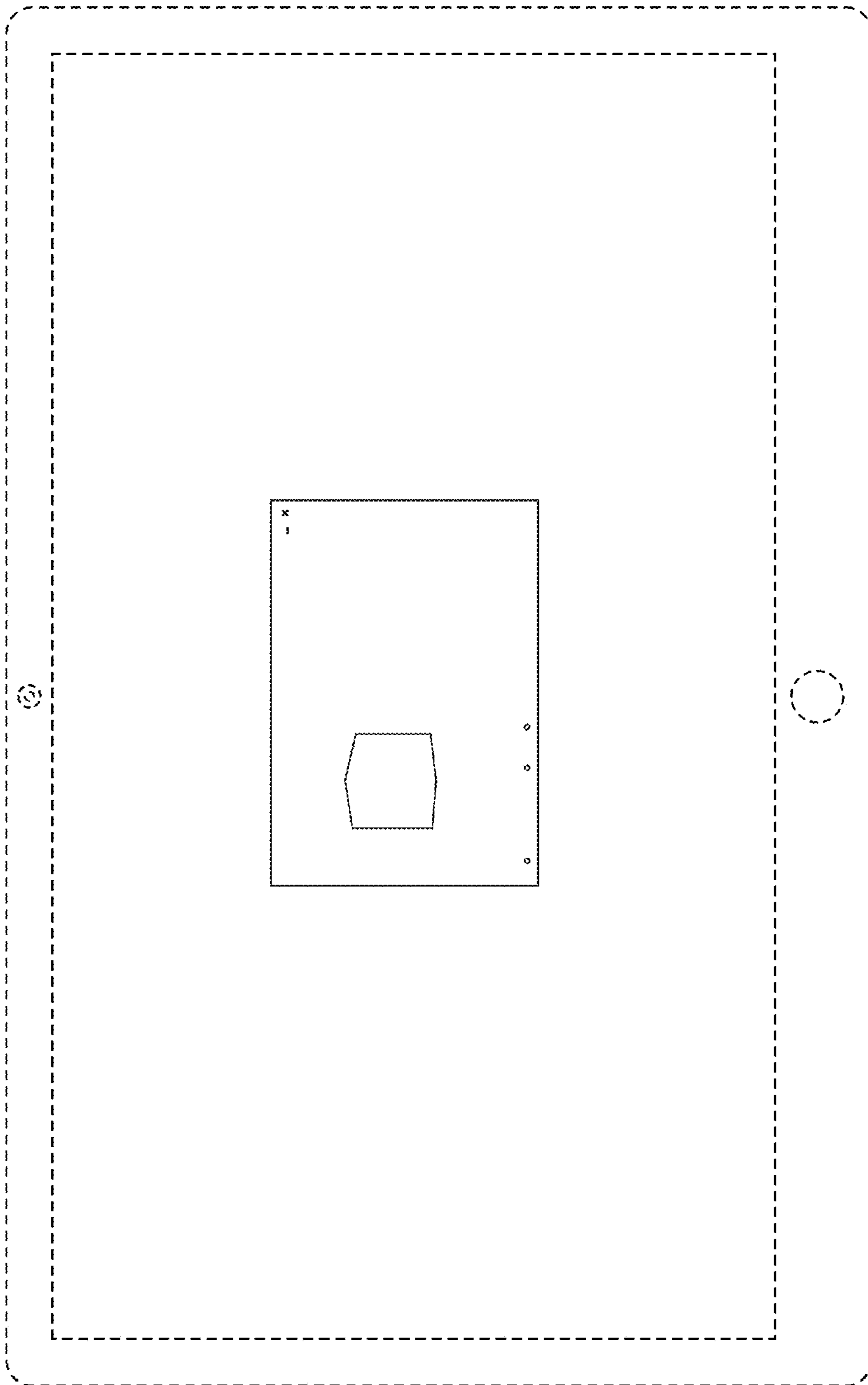


FIG. 7

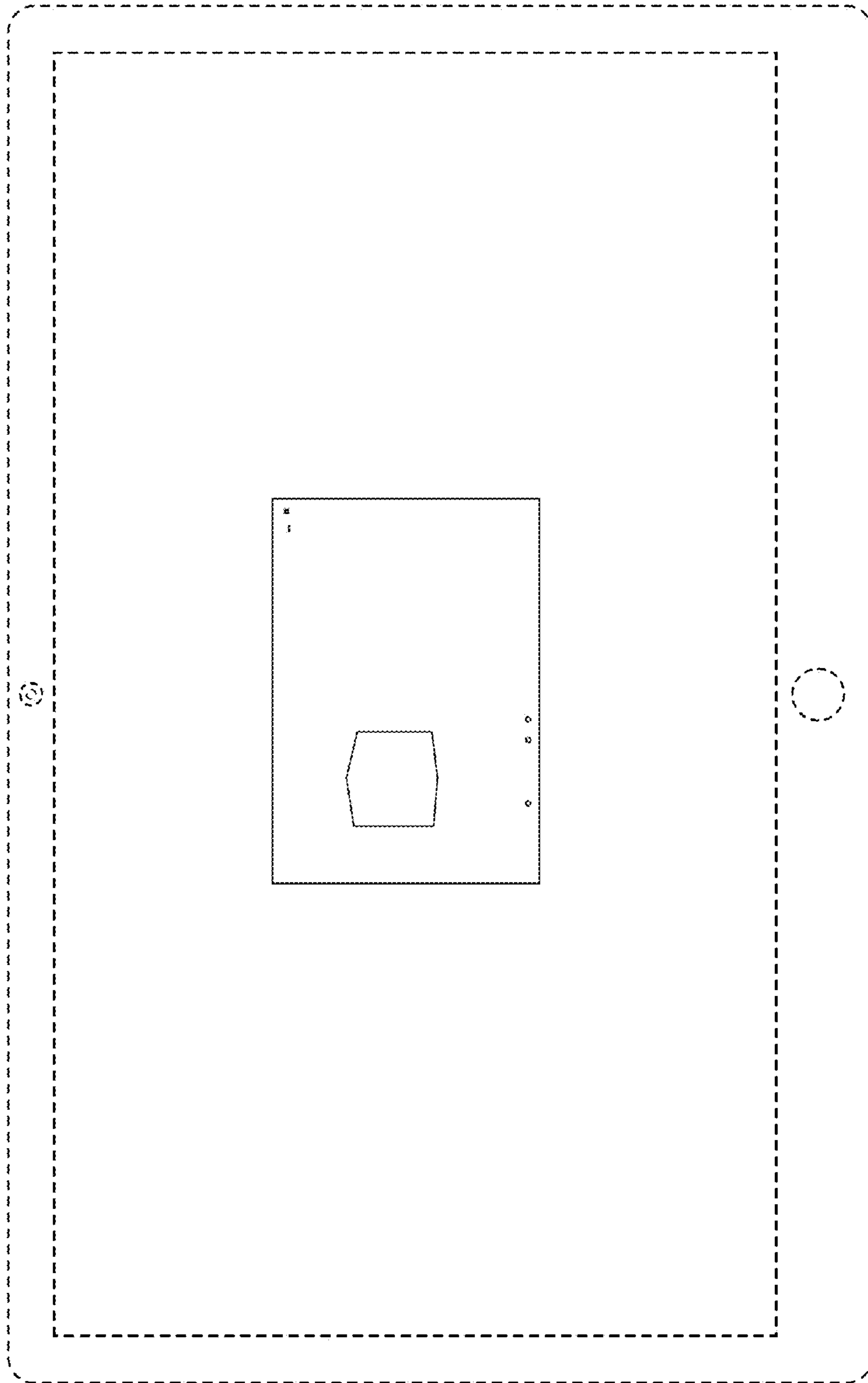


FIG. 8

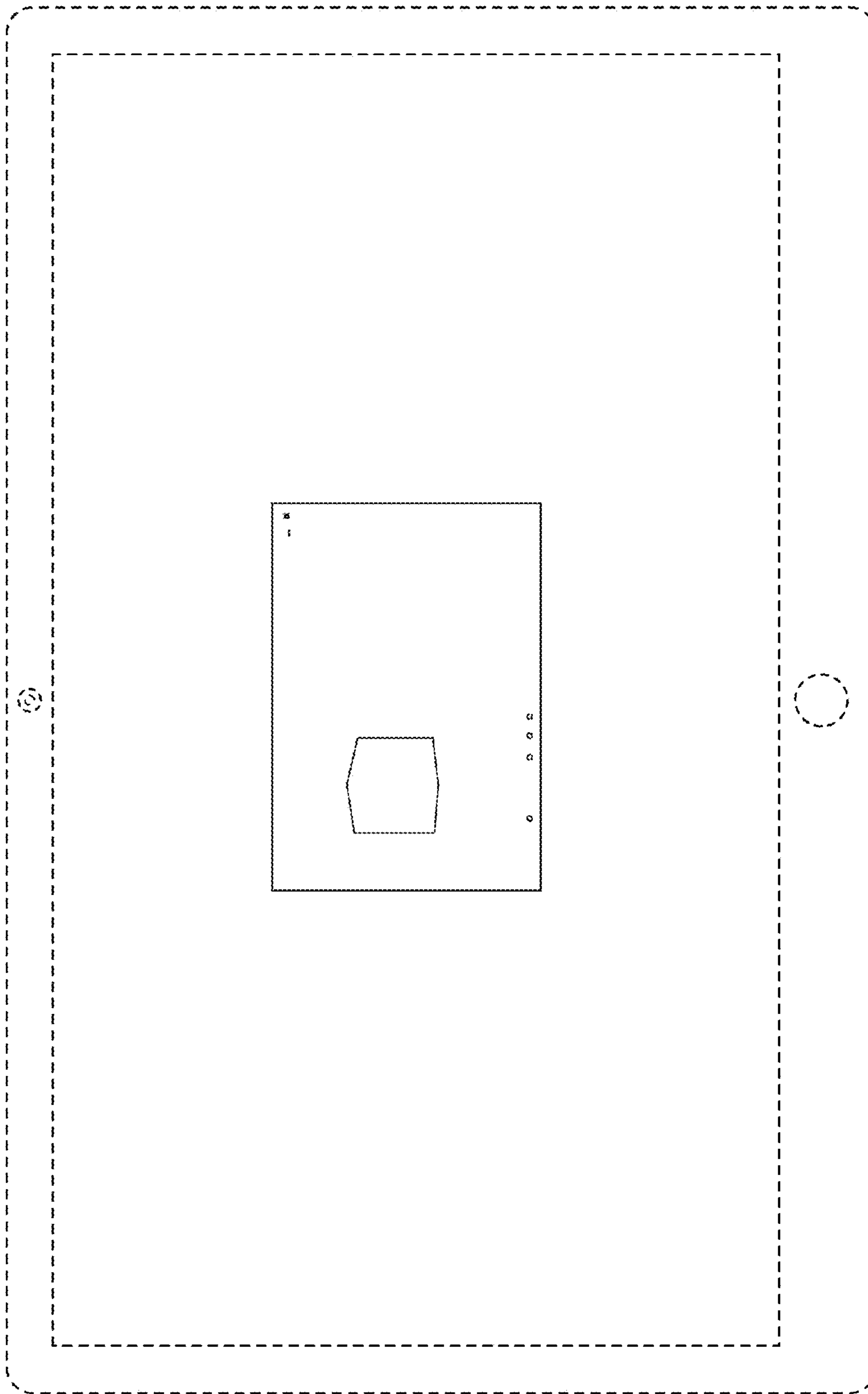


FIG. 9

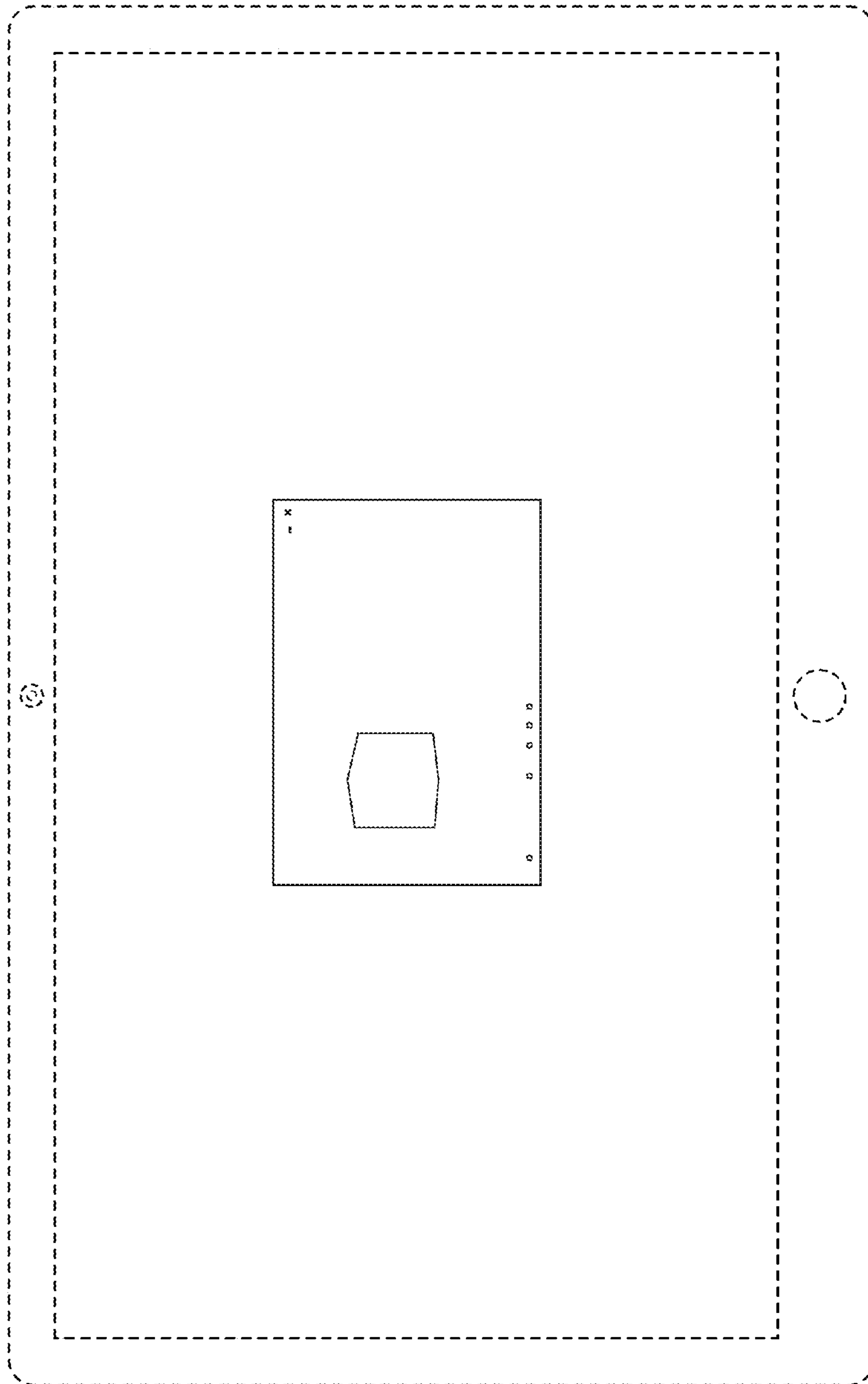


FIG. 10

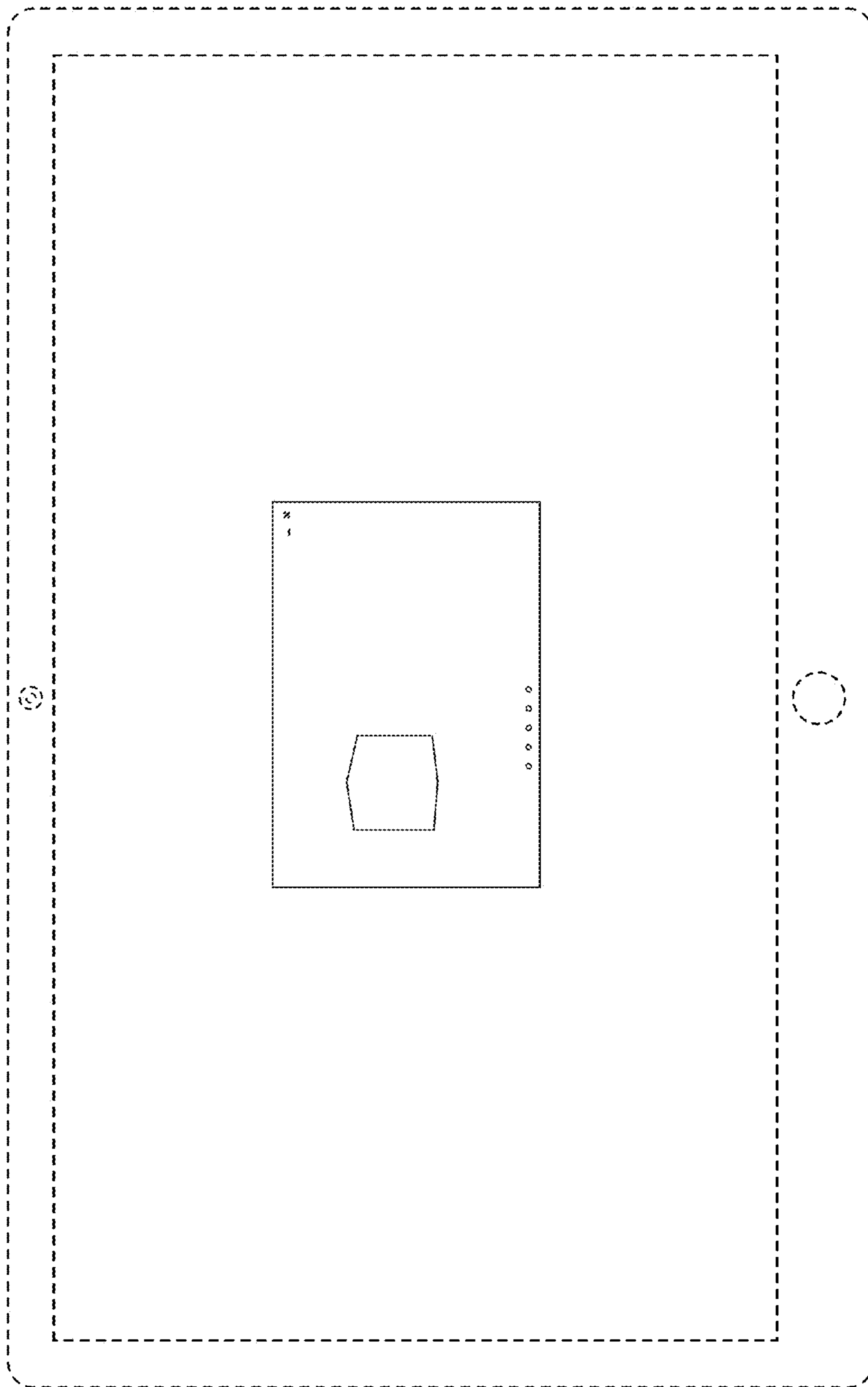


FIG. 11

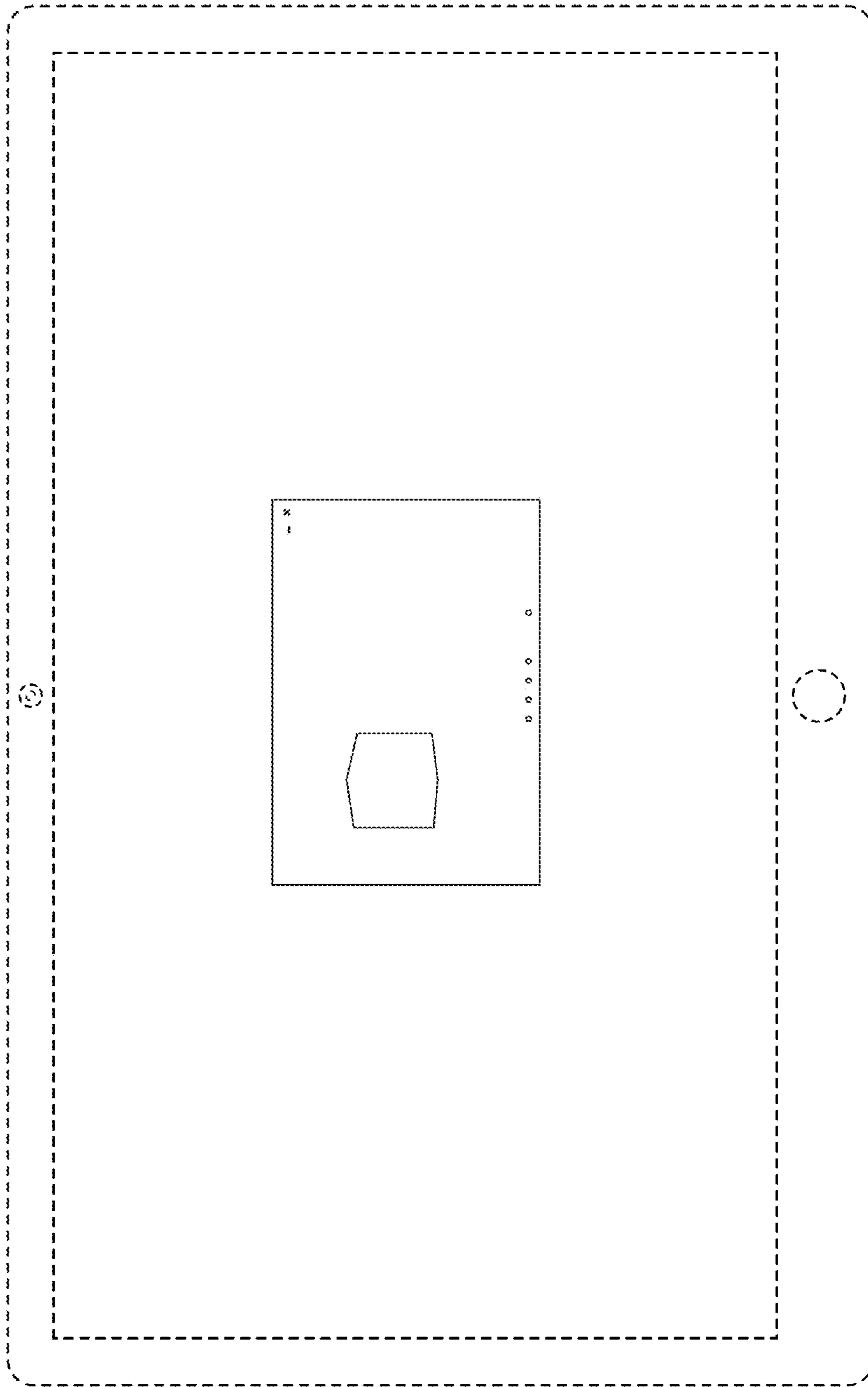


FIG. 12

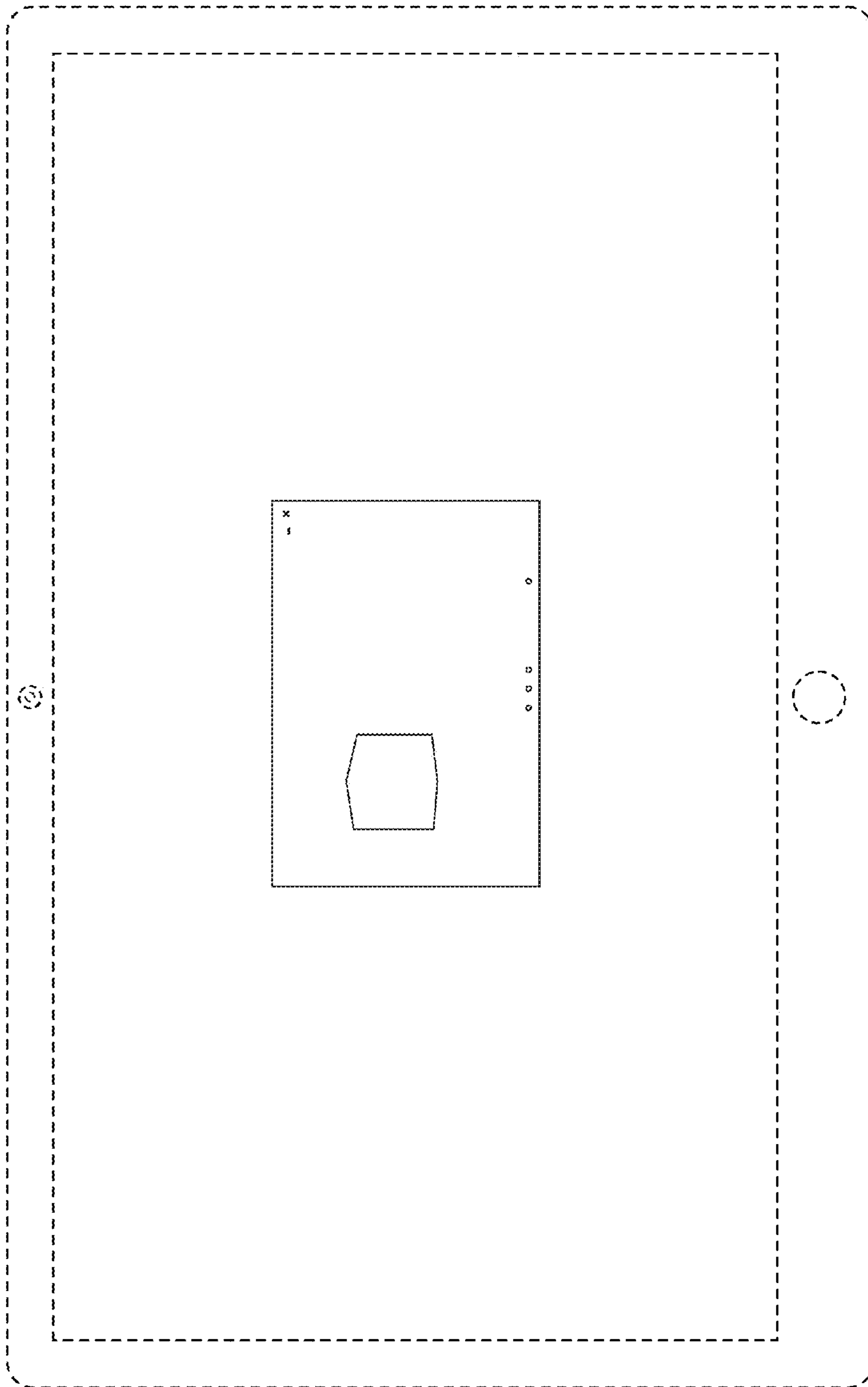


FIG. 13

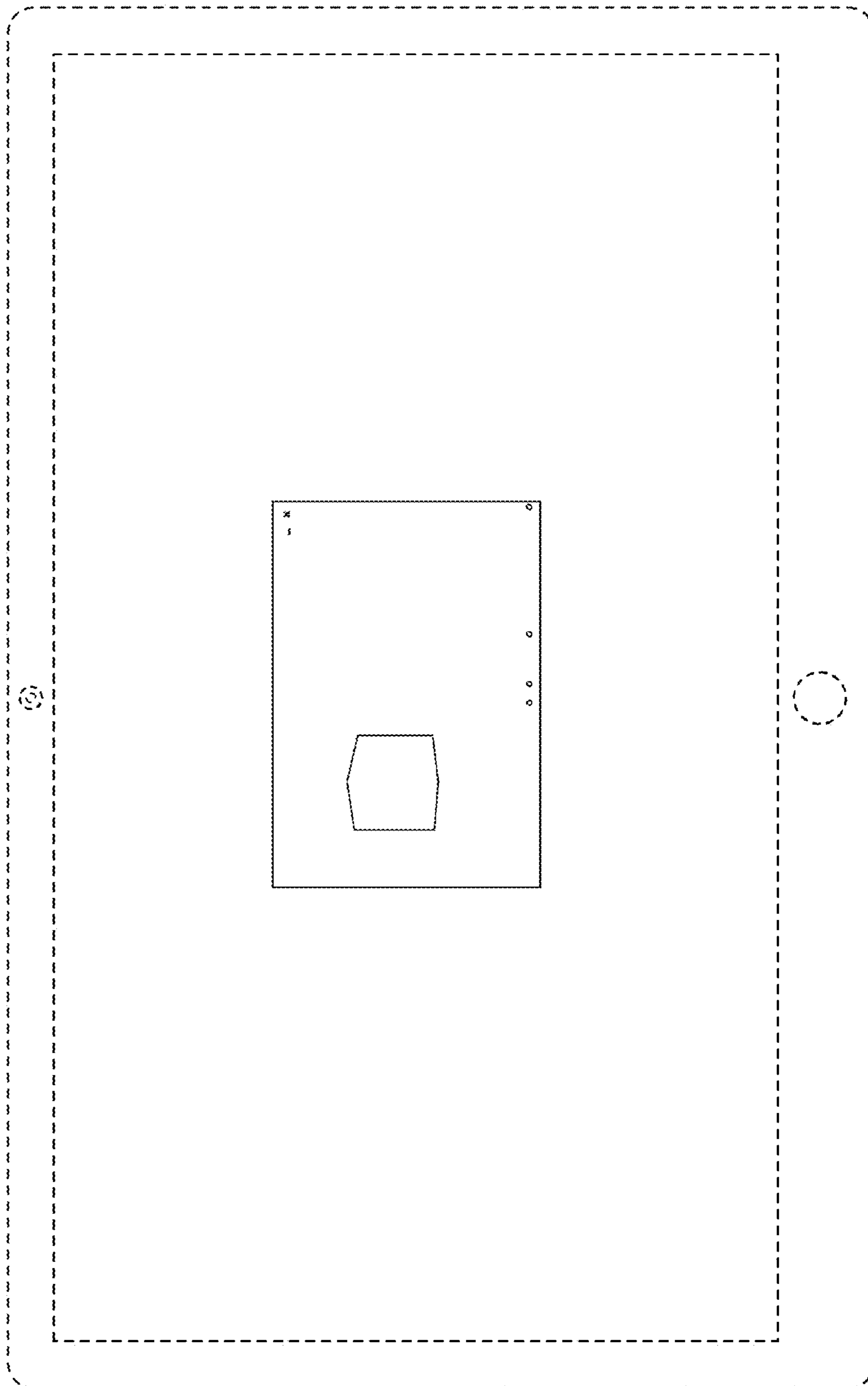
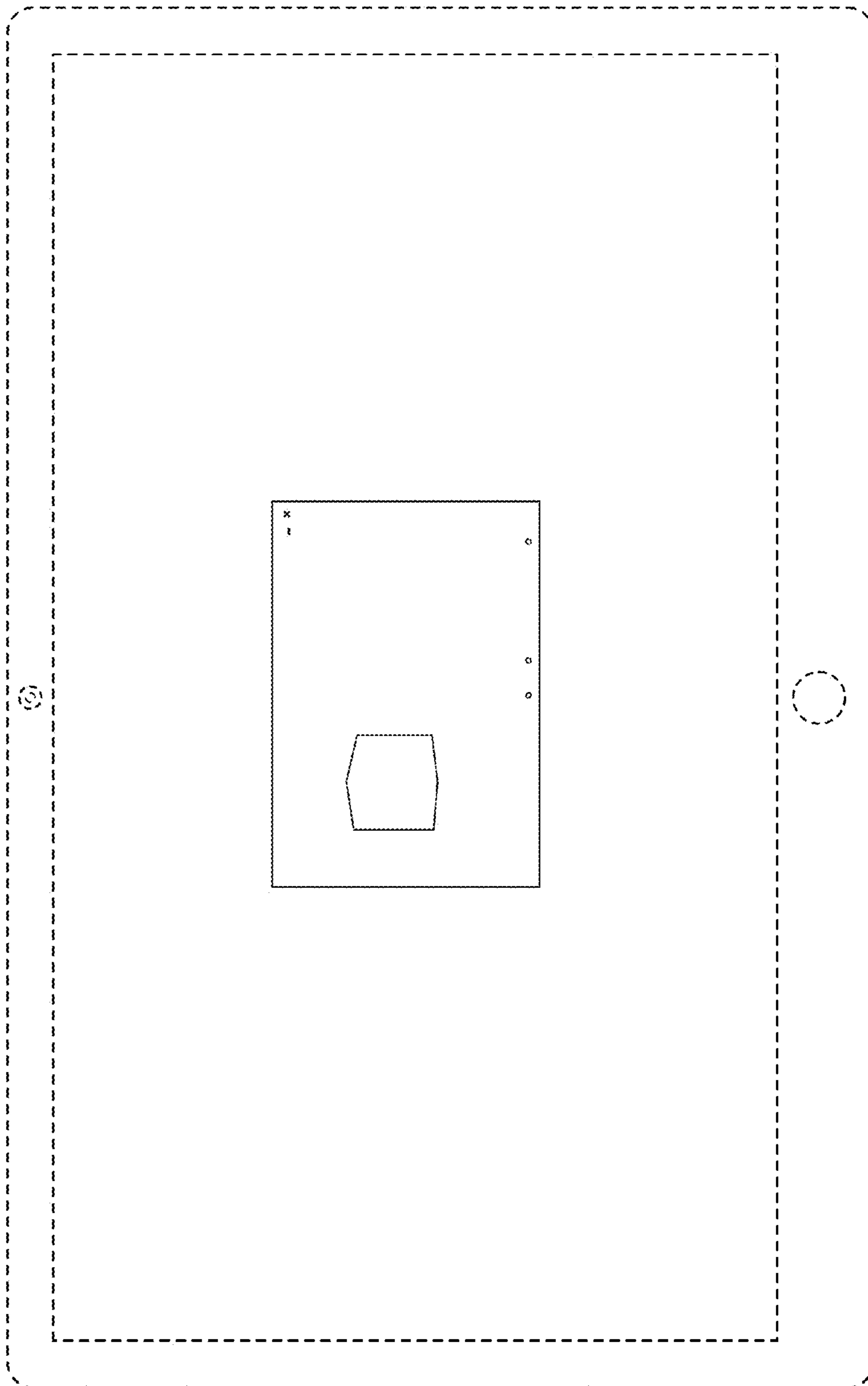


FIG. 14



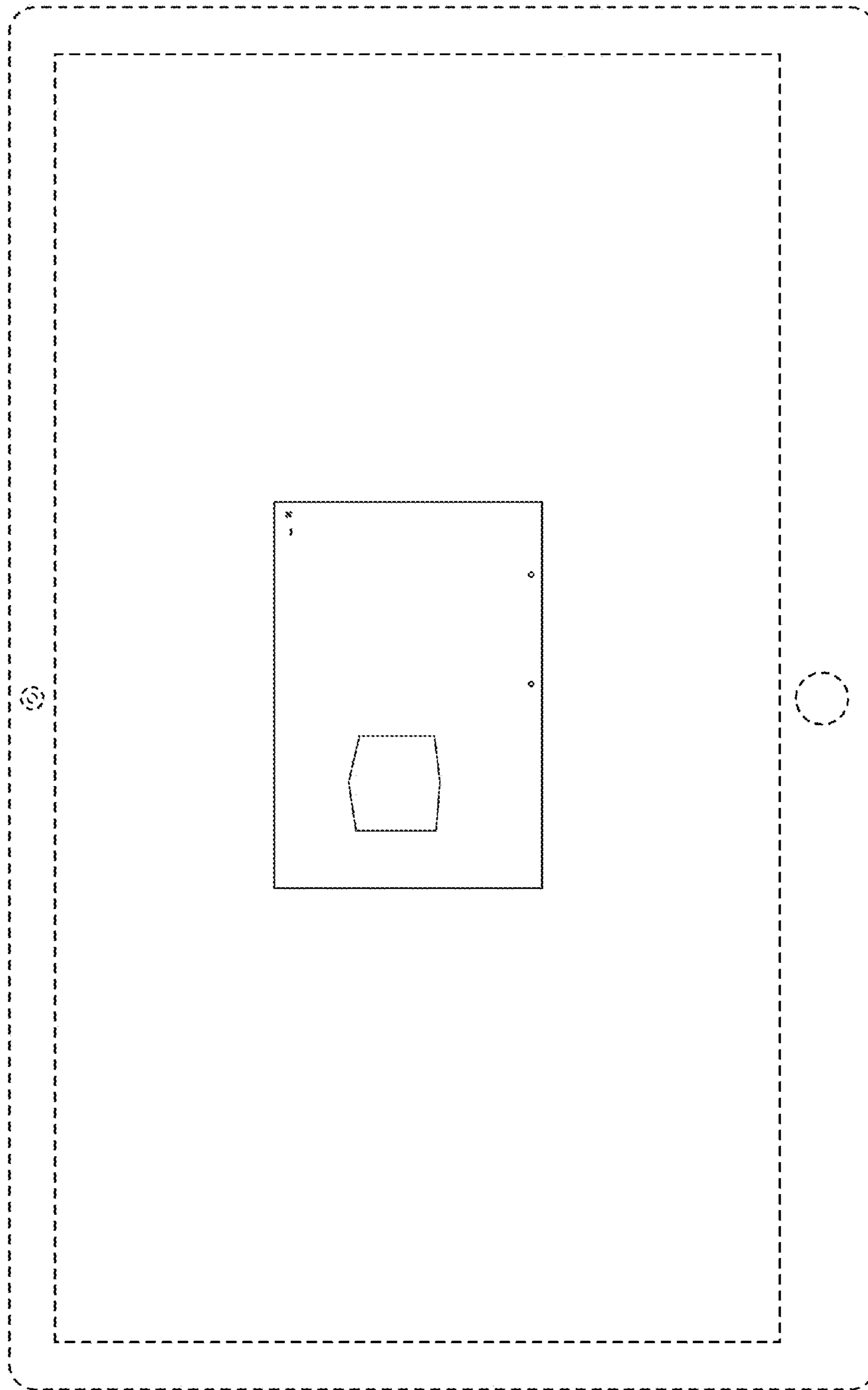


FIG. 16

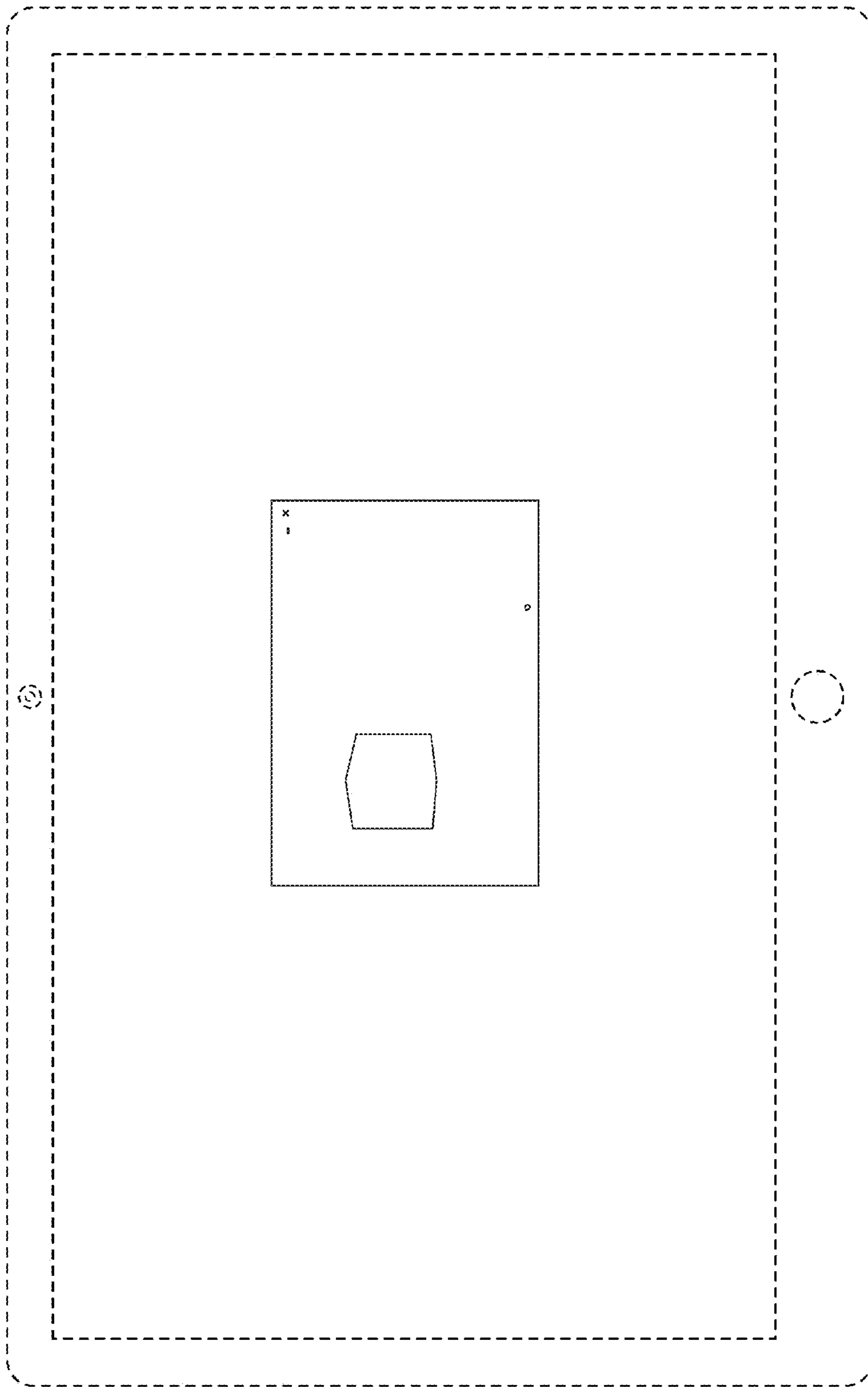


FIG. 17

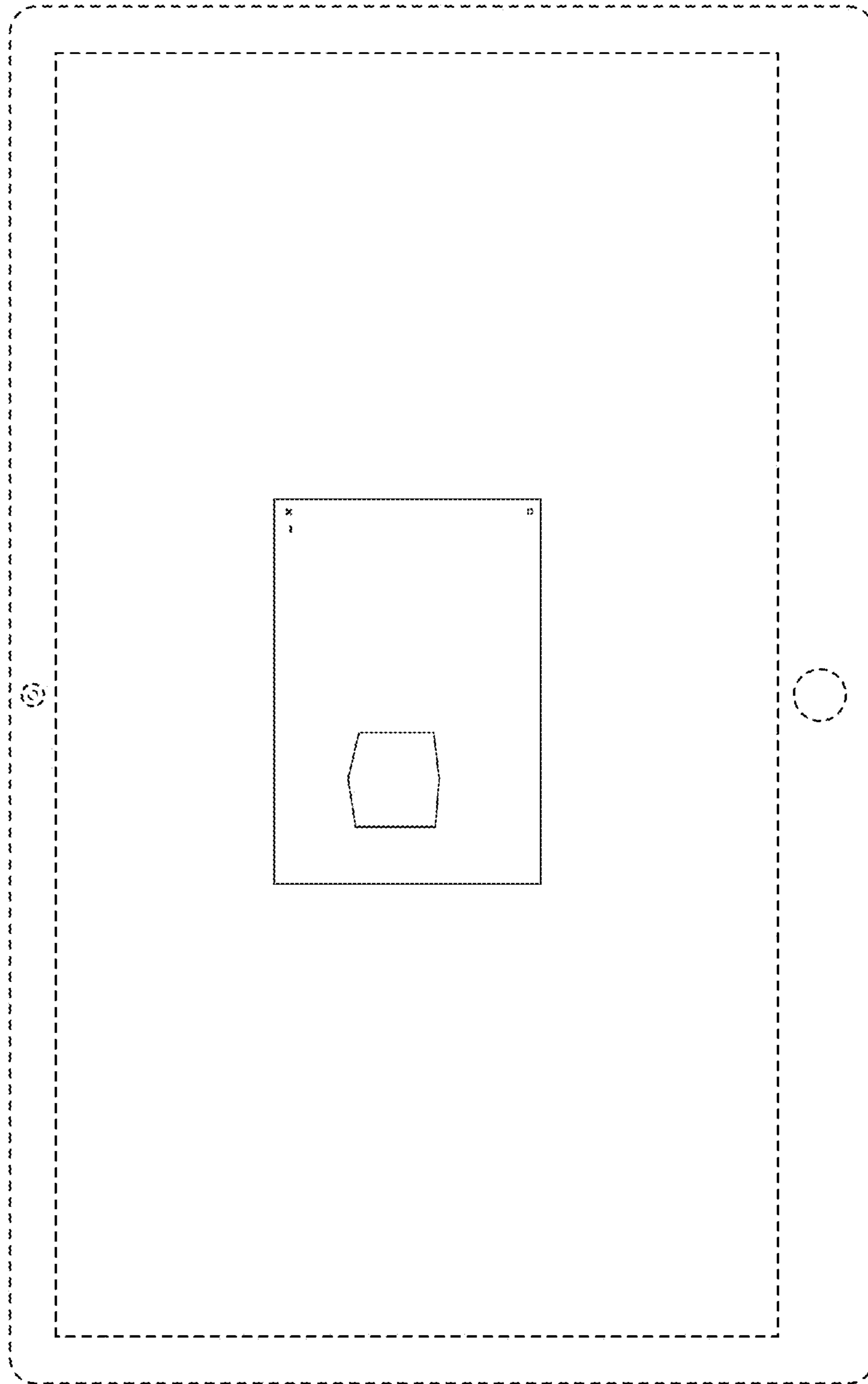


FIG. 18

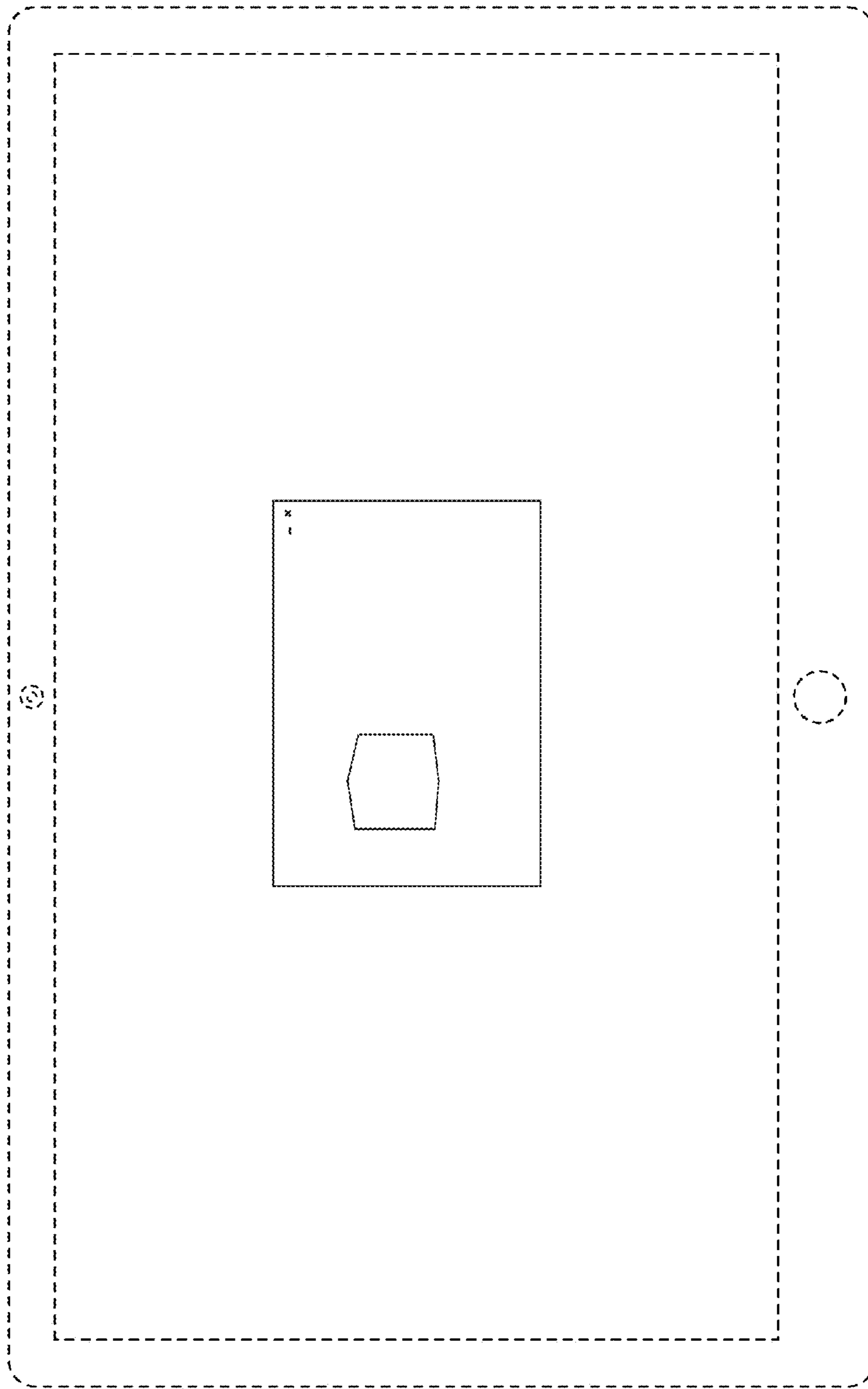


FIG. 19