



US00D695777S

(12) **United States Design Patent**
Edwards et al.

(10) **Patent No.:** **US D695,777 S**

(45) **Date of Patent:** **** Dec. 17, 2013**

(54) **DISPLAY SCREEN WITH ANIMATED GRAPHICAL USER INTERFACE**

(75) Inventors: **Christopher D. Edwards**, Seattle, WA (US); **Mark E. Pearson**, Renton, WA (US); **Christopher Michael Maloney**, San Francisco, CA (US); **Runzhen Huang**, San Jose, CA (US); **Jiang Zhang**, Sunnyvale, CA (US)

(73) Assignee: **Microsoft Corporation**, Redmond, WA (US)

(**) Term: **14 Years**

(21) Appl. No.: **29/418,783**

(22) Filed: **Apr. 20, 2012**

(51) **LOC (9) Cl.** **14-04**

(52) **U.S. Cl.**
USPC **D14/488**

(58) **Field of Classification Search**
USPC D14/485-488, 491; 715/838
See application file for complete search history.

(56) **References Cited**

U.S. PATENT DOCUMENTS

D388,419	S	*	12/1997	Polson et al.	D14/491
D426,206	S	*	6/2000	Richter	D14/487
6,542,175	B1	*	4/2003	Lentz	715/851
D475,064	S	*	5/2003	Nashida et al.	D14/491
D555,664	S	*	11/2007	Nagata et al.	D14/488
D559,855	S	*	1/2008	Sato et al.	D14/486
D578,135	S	*	10/2008	Nathan et al.	D14/488
D595,301	S	*	6/2009	Akimoto	D14/485
D595,726	S	*	7/2009	Akimoto	D14/485
D599,368	S	*	9/2009	Kanga et al.	D14/485
D607,005	S	*	12/2009	Ording et al.	D14/488
D611,053	S	*	3/2010	Kanga et al.	D14/485
D614,641	S	*	4/2010	Viegers et al.	D14/486
D624,929	S	*	10/2010	Agnetta et al.	D14/487
D624,931	S	*	10/2010	Agnetta et al.	D14/487
D660,860	S	*	5/2012	Louch et al.	D14/485

D666,625	S	*	9/2012	Gilmore et al.	D14/485
D668,671	S	*	10/2012	Zaman et al.	D14/488
D670,726	S	*	11/2012	Bitran et al.	D14/487
D676,862	S	*	2/2013	Ho Kushner et al.	D14/486
D682,875	S	*	5/2013	Frijlink et al.	D14/488
D686,237	S	*	7/2013	Alucema et al.	D14/486
D689,060	S	*	9/2013	Tamura et al.	D14/485
D689,890	S	*	9/2013	Fong et al.	D14/486
2004/0036711	A1	*	2/2004	Anderson	345/701
2005/0034084	A1	*	2/2005	Ohtsuki et al.	715/864
2005/0210388	A1	*	9/2005	Matsumoto	715/719
2007/0033540	A1	*	2/2007	Bridges et al.	715/769

(Continued)

Primary Examiner — Karen E Kearney

(74) *Attorney, Agent, or Firm* — Banner & Witcoff, Ltd.

(57) **CLAIM**

The ornamental design for a display screen with animated graphical user interface, as shown and described.

DESCRIPTION

FIG. 1 is a front view of the first image in a sequence for a display screen with animated graphical user interface showing our new design;

FIG. 2 is the second image thereof;

FIG. 3 is the third image thereof;

FIG. 4 is the fourth image thereof;

FIG. 5 is the fifth image thereof;

FIG. 6 is the sixth image thereof;

FIG. 7 is the seventh image thereof;

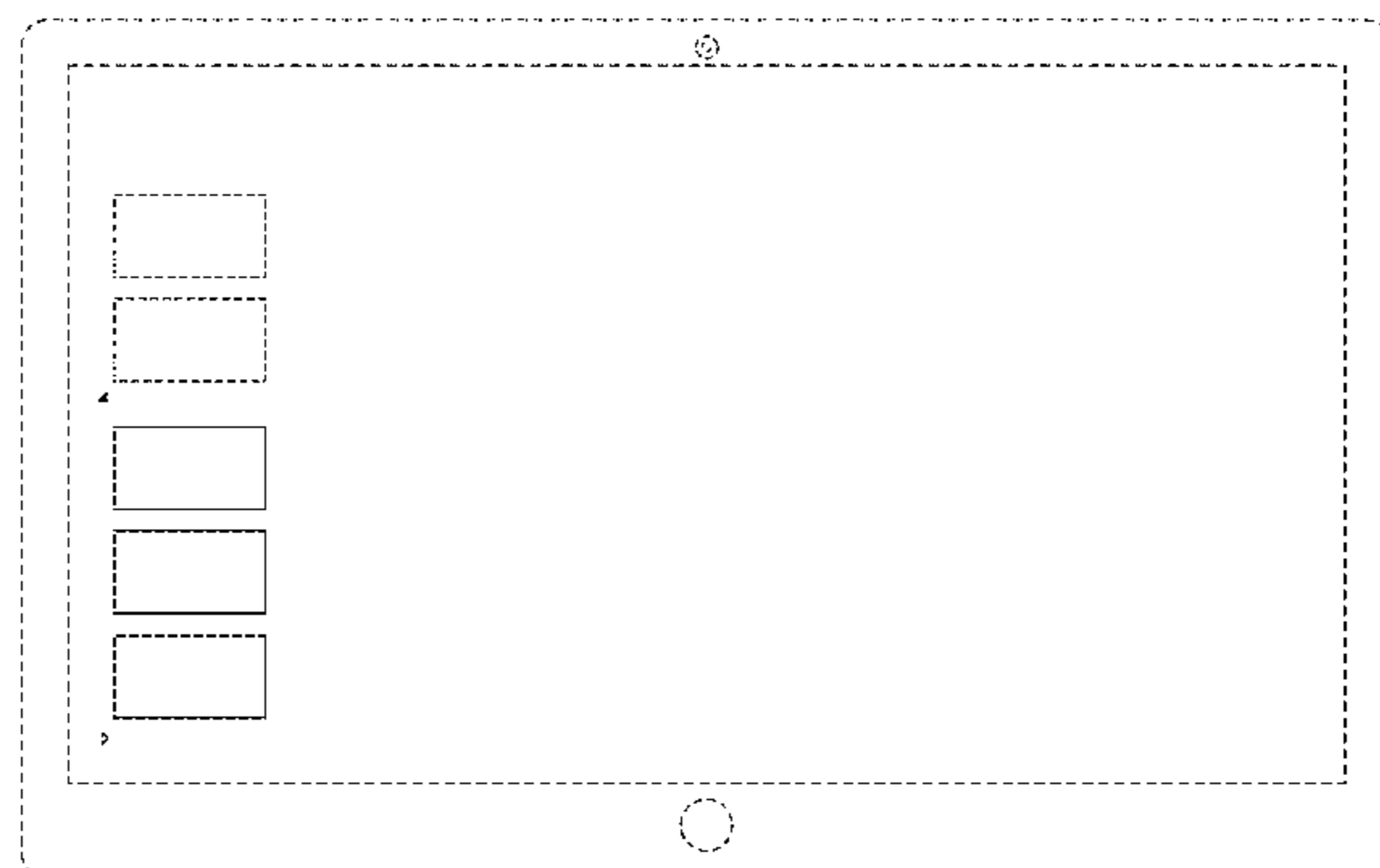
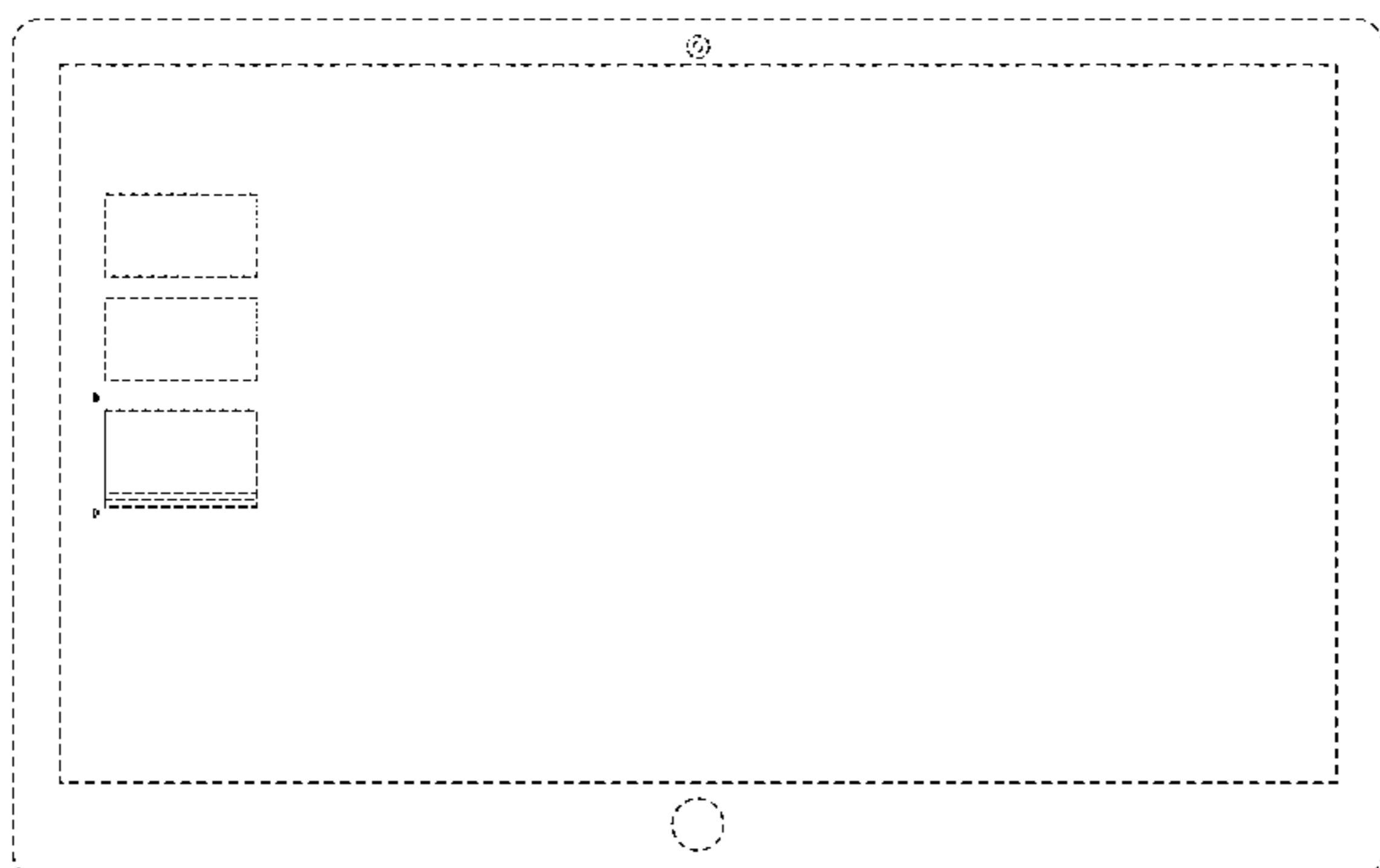
FIG. 8 is the eighth image thereof;

FIG. 9 is the ninth image thereof; and,

FIG. 10 is the tenth image thereof.

The appearance of the animated user interface sequentially transitions between the images shown in FIGS. 1-10. The process or period in which one image transitions to another forms no part of the claimed design. The broken line showing of the two rectangles and the remainder of the display screen is for environmental purposes only and forms no part of the claimed design.

1 Claim, 10 Drawing Sheets



US D695,777 S

Page 2

(56)

References Cited

U.S. PATENT DOCUMENTS

2010/0306692 A1*	12/2010	Baier et al.	715/777
2011/0126156 A1*	5/2011	Krishnaraj et al.	715/828
2012/0299933 A1*	11/2012	Lau et al.	345/473
2007/0035652 A1*	2/2007	Toyoda et al.	348/333.05

* cited by examiner

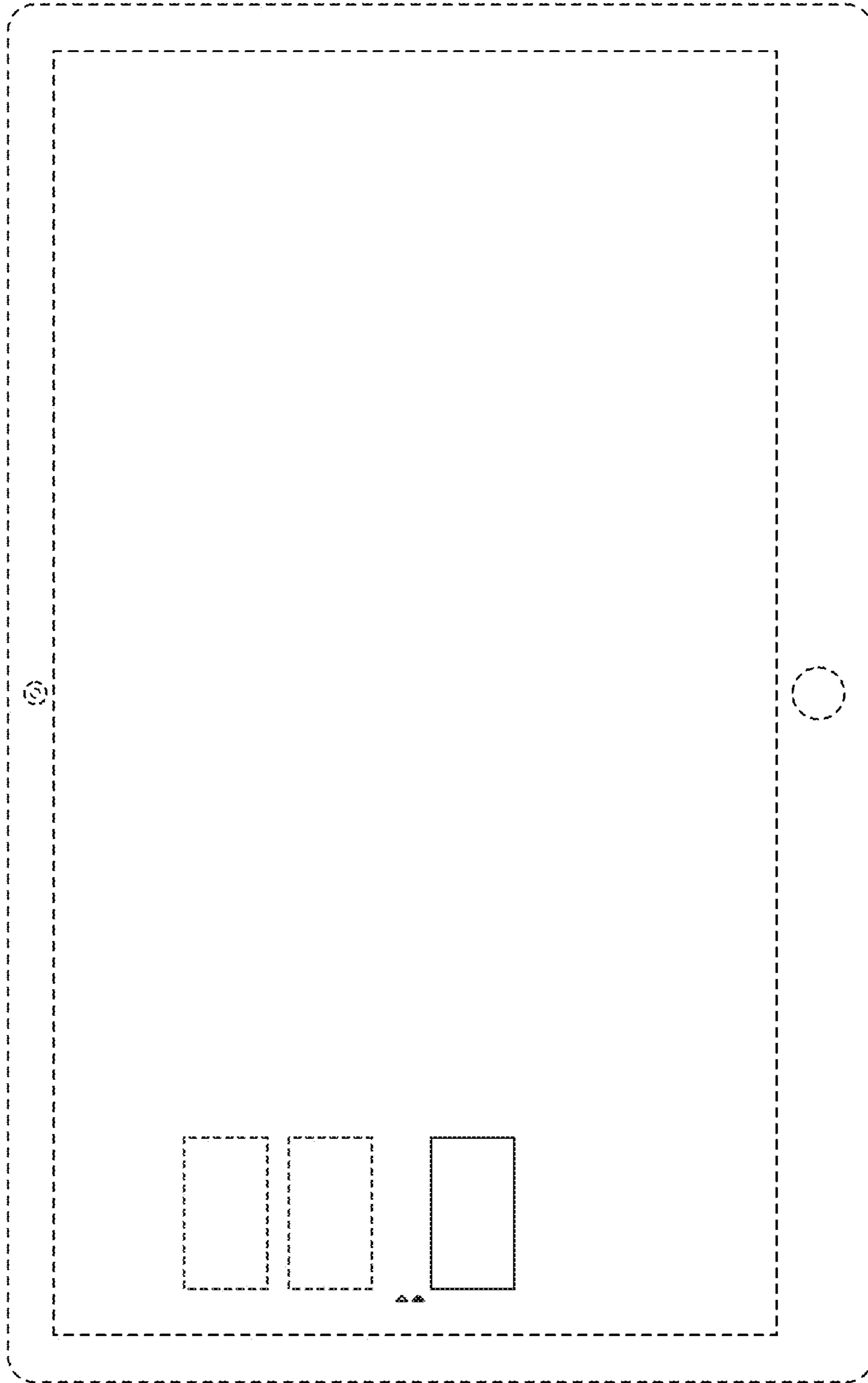


FIG. 1

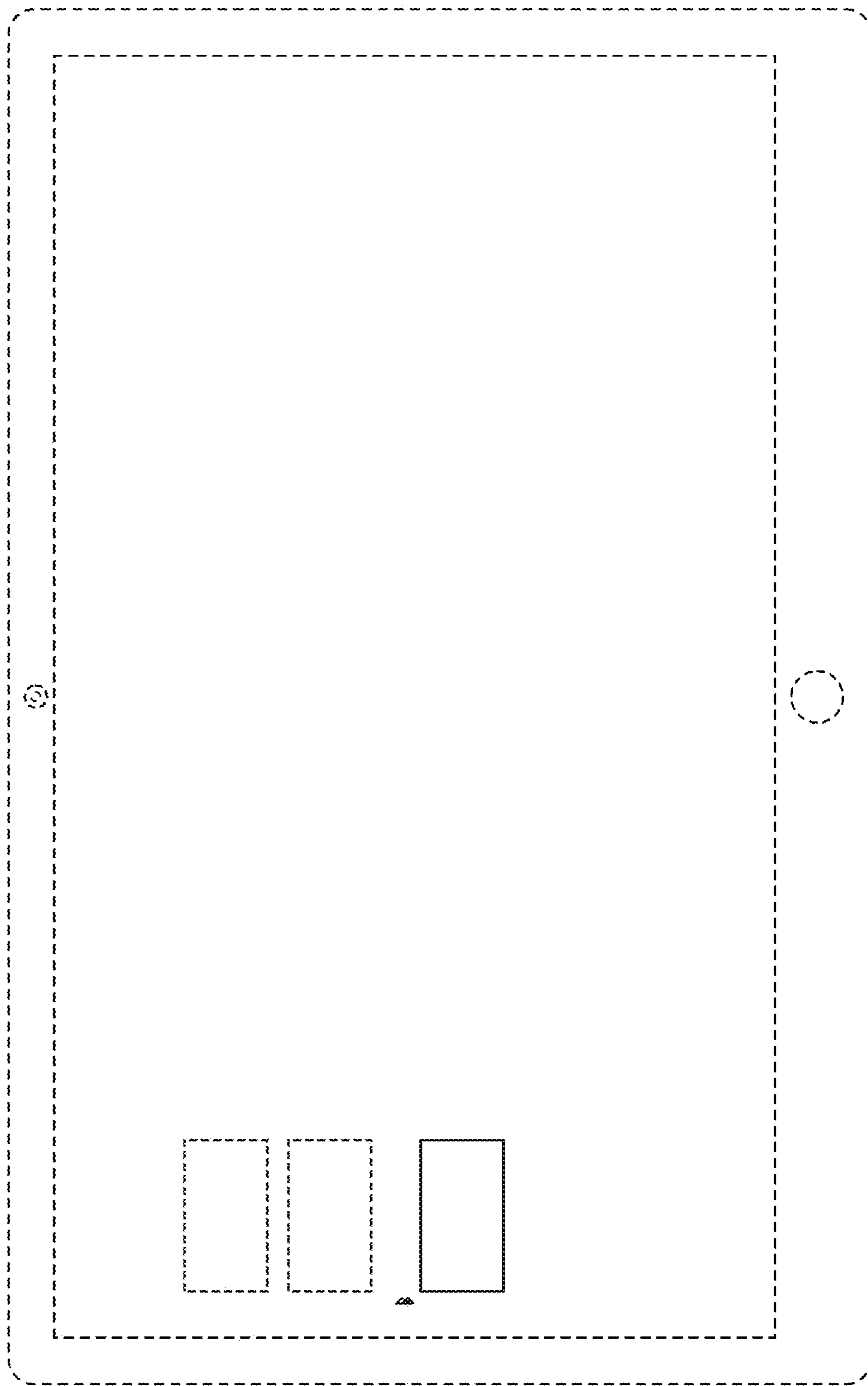


FIG. 2

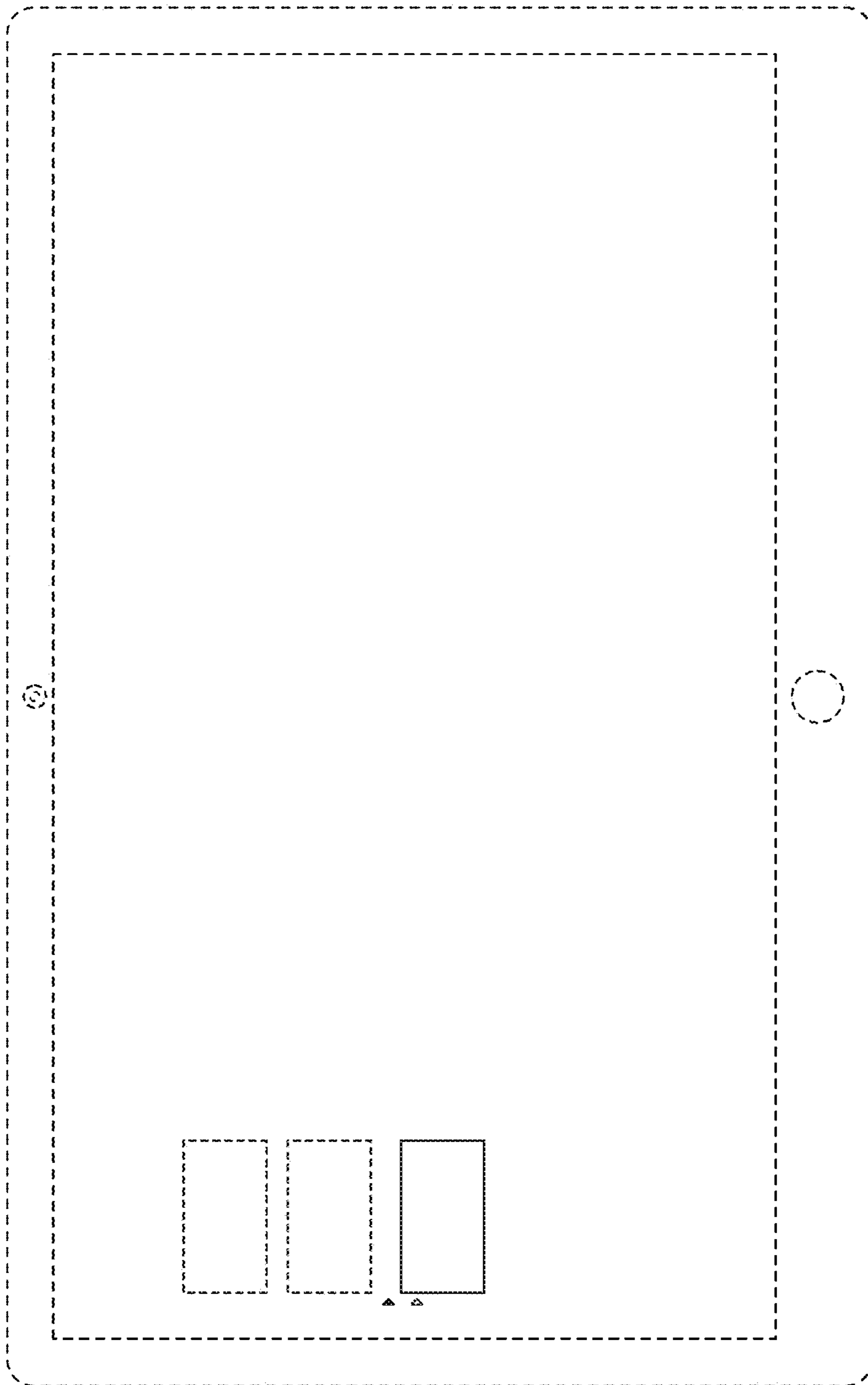


FIG. 3

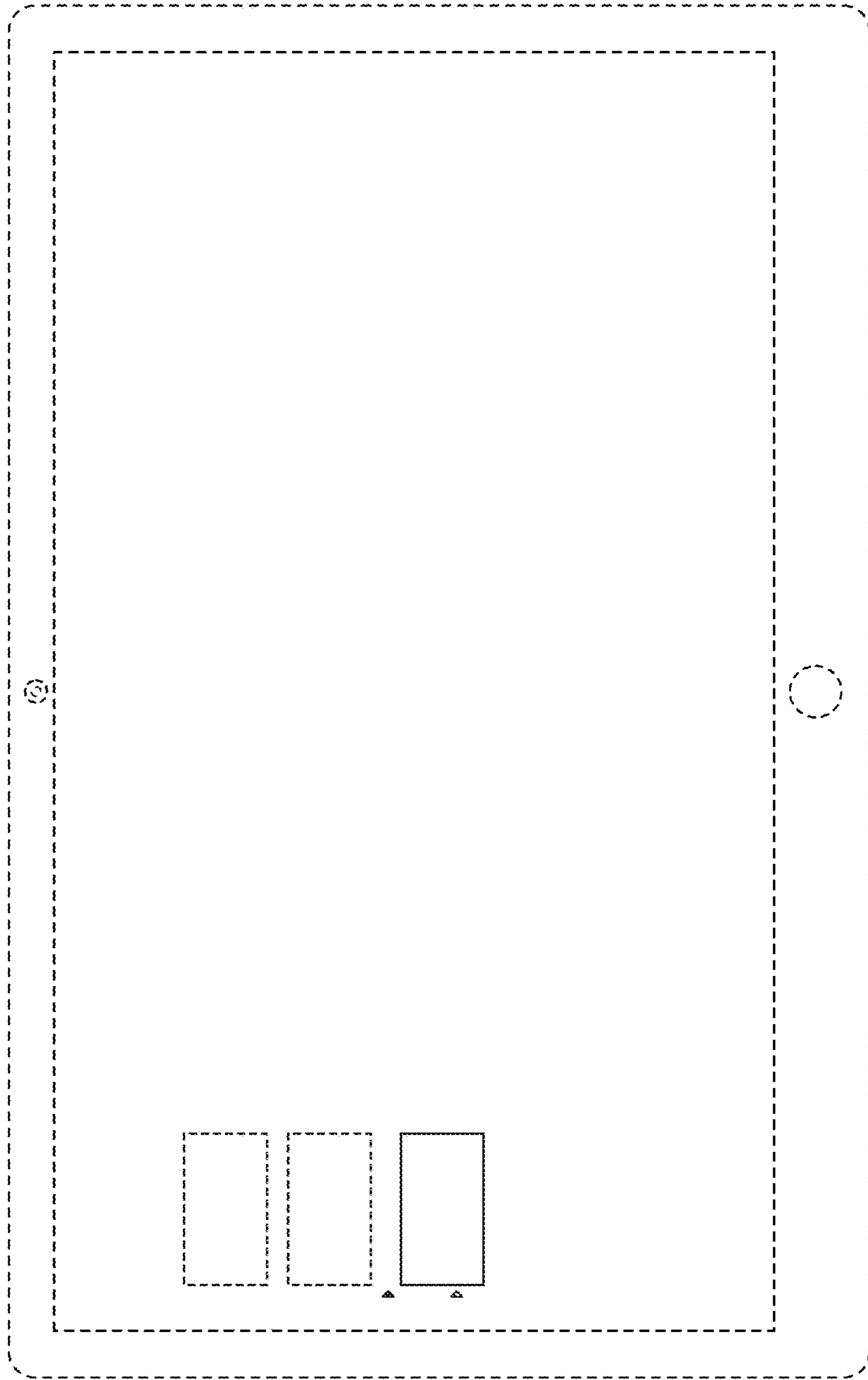


FIG. 4

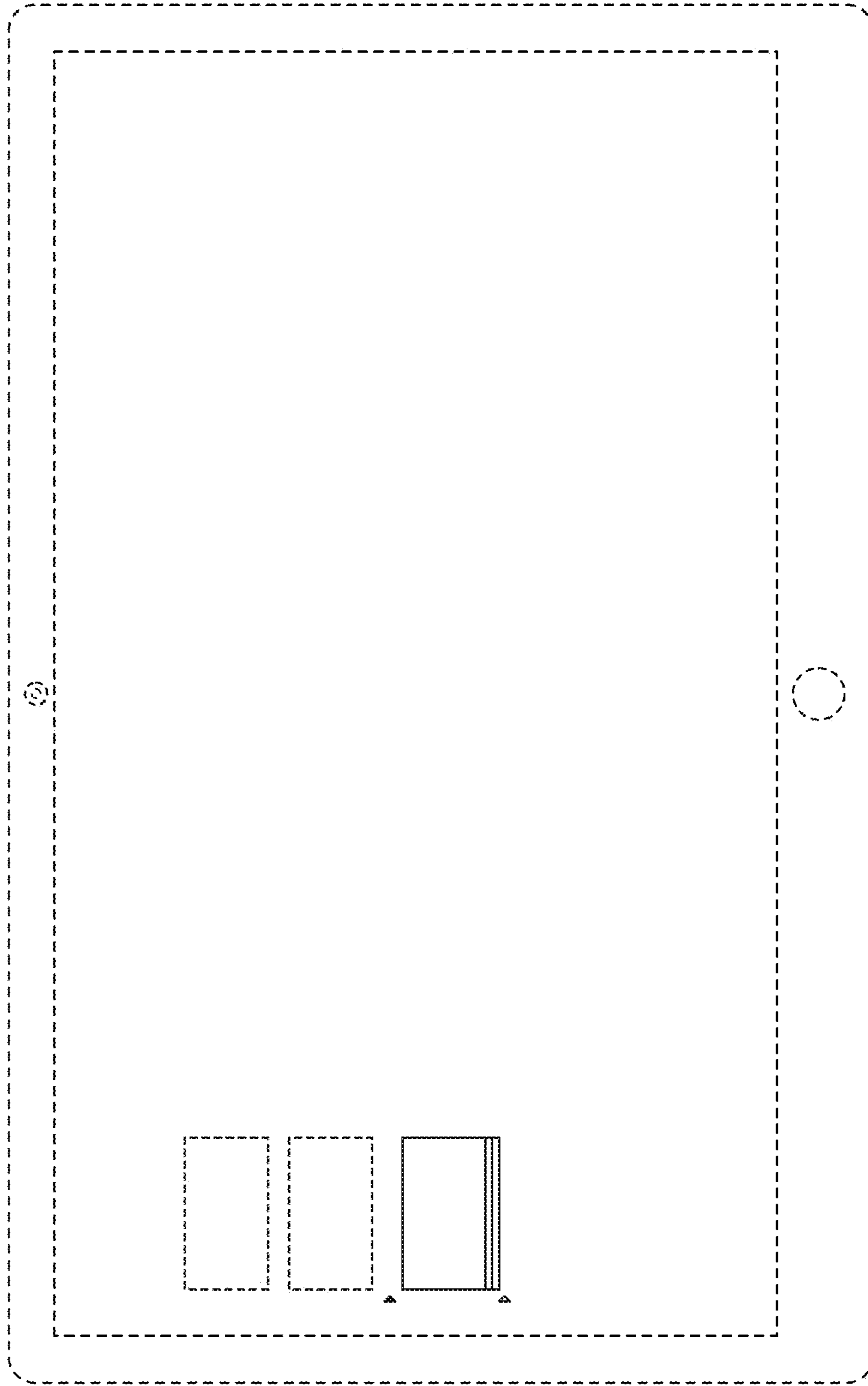


FIG. 5

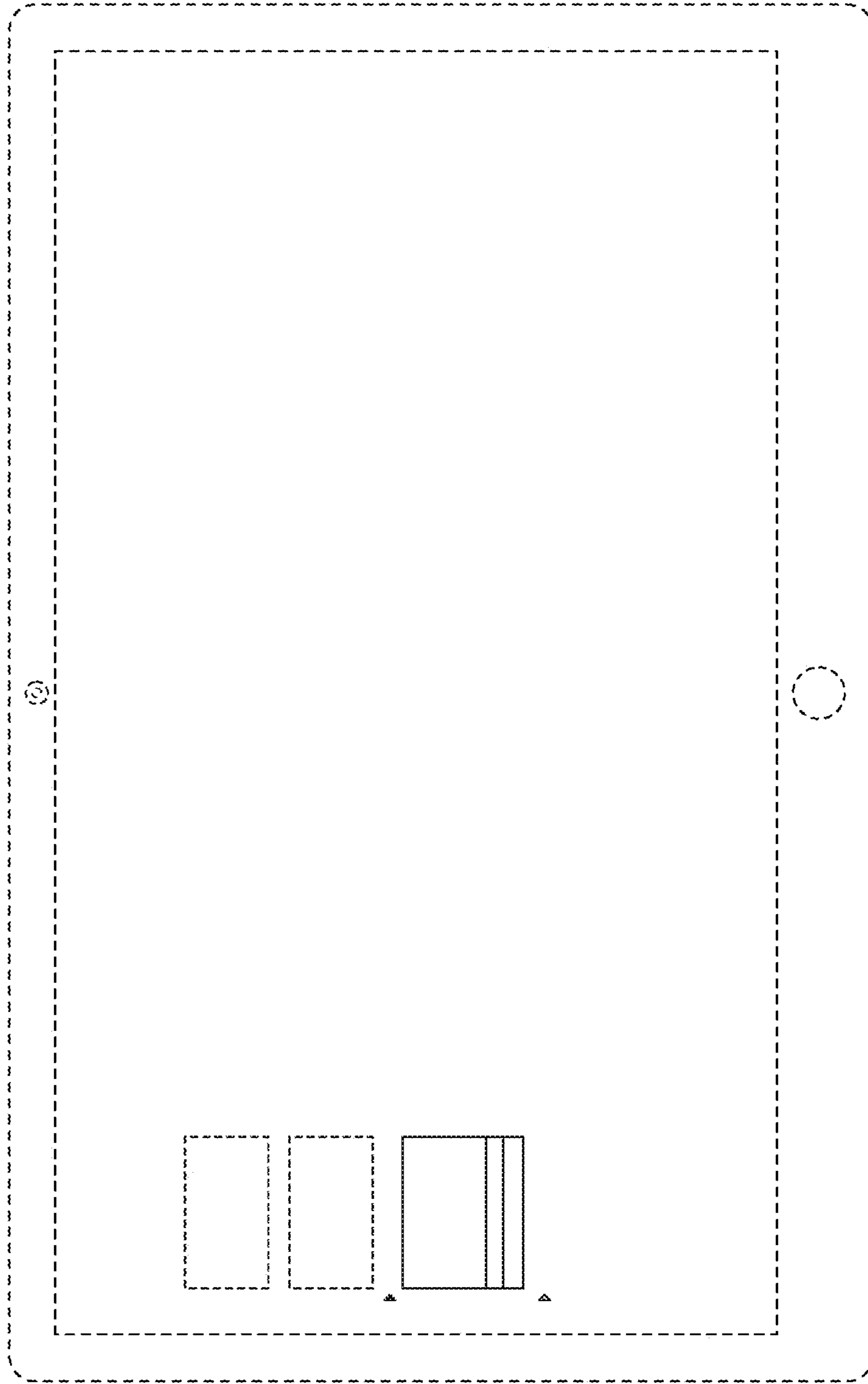


FIG. 6

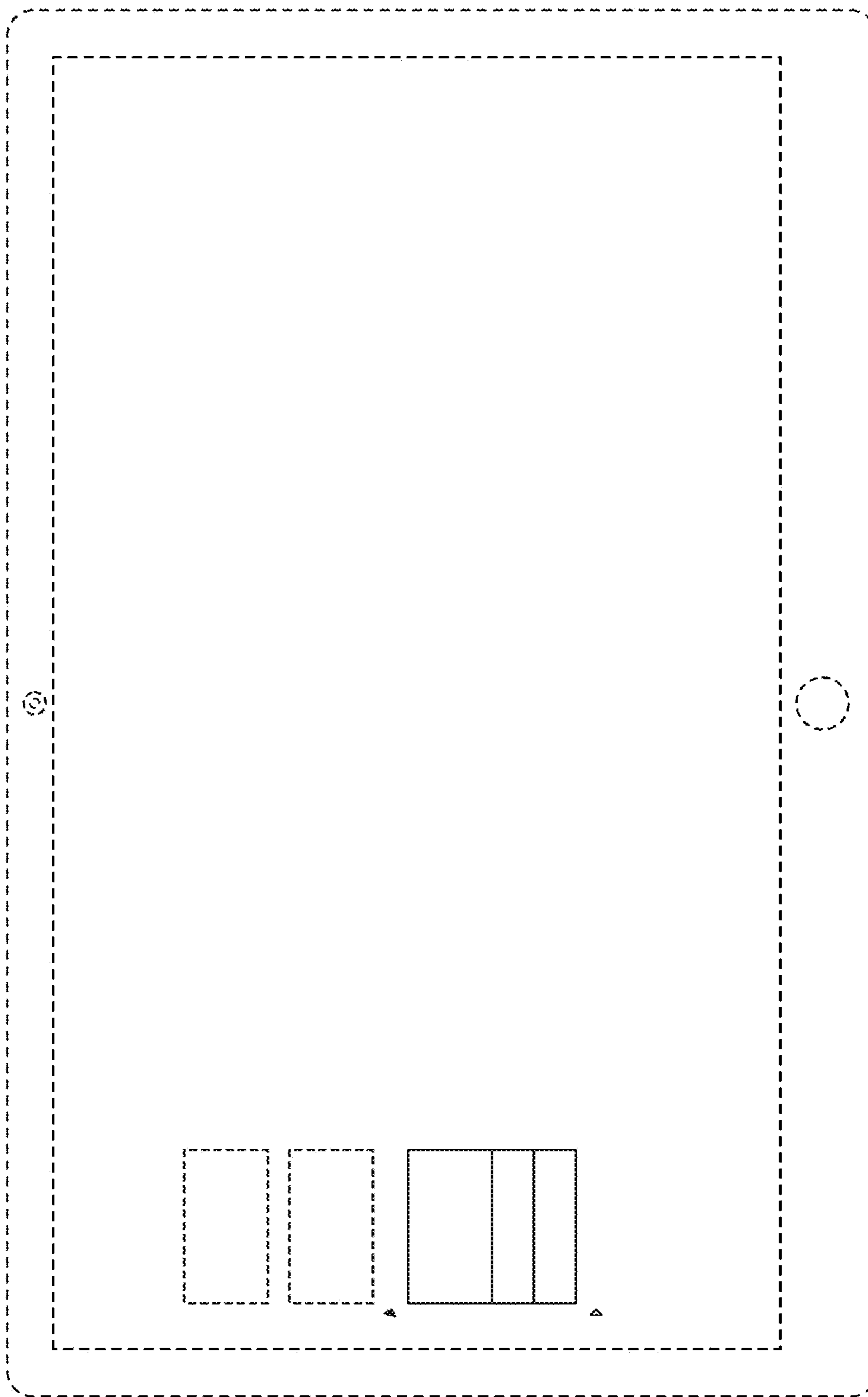


FIG. 7

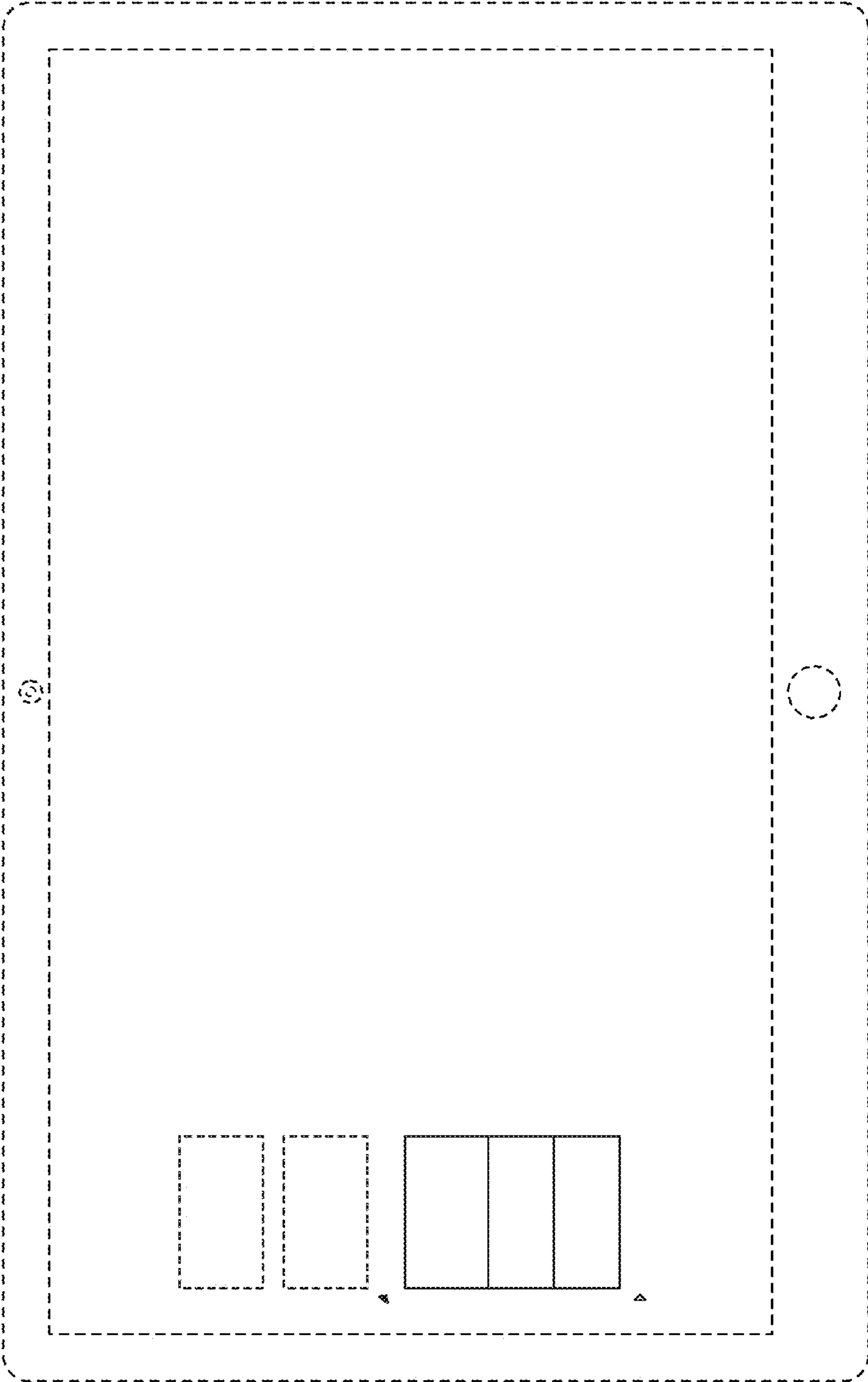


FIG. 8

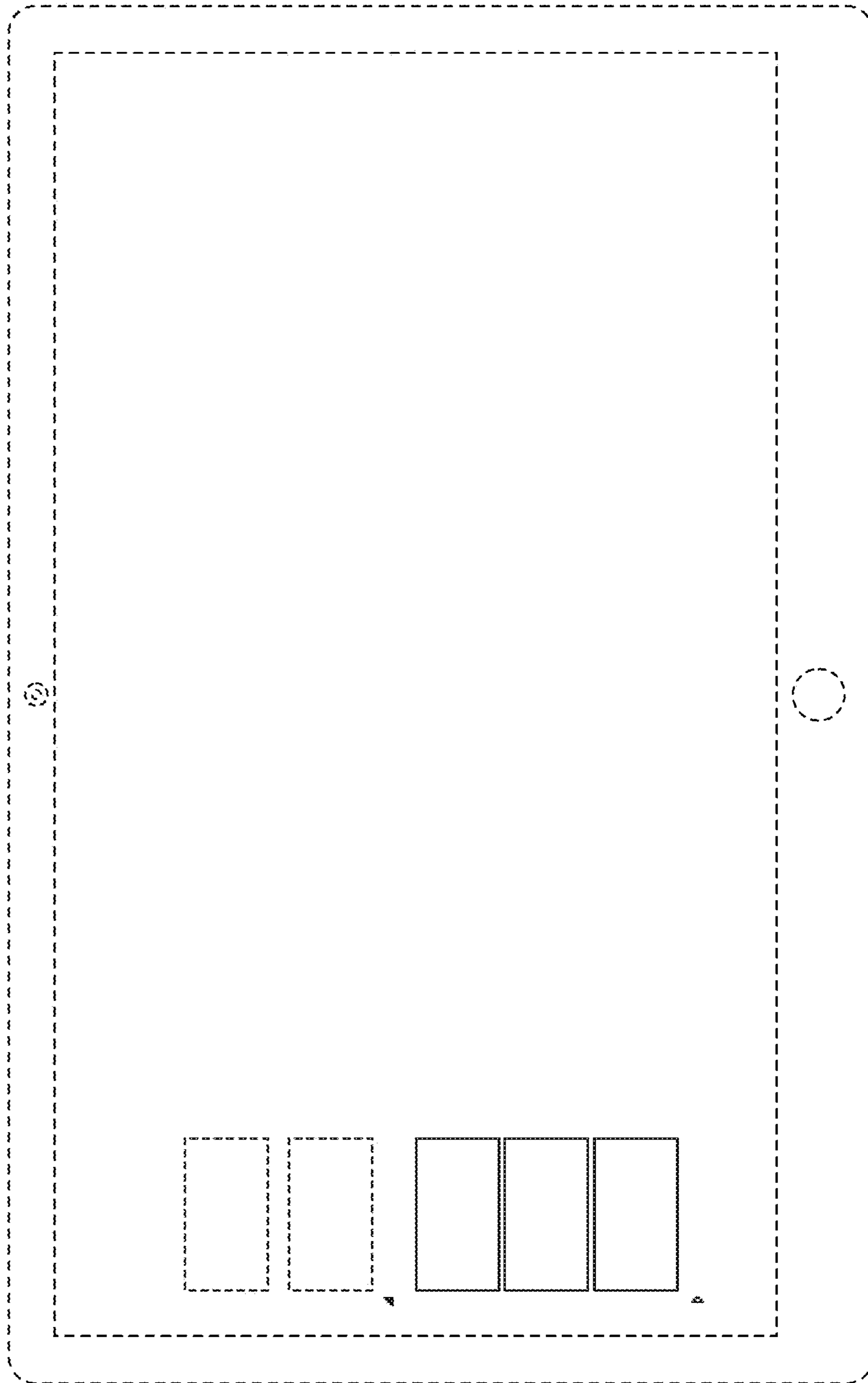


FIG. 9

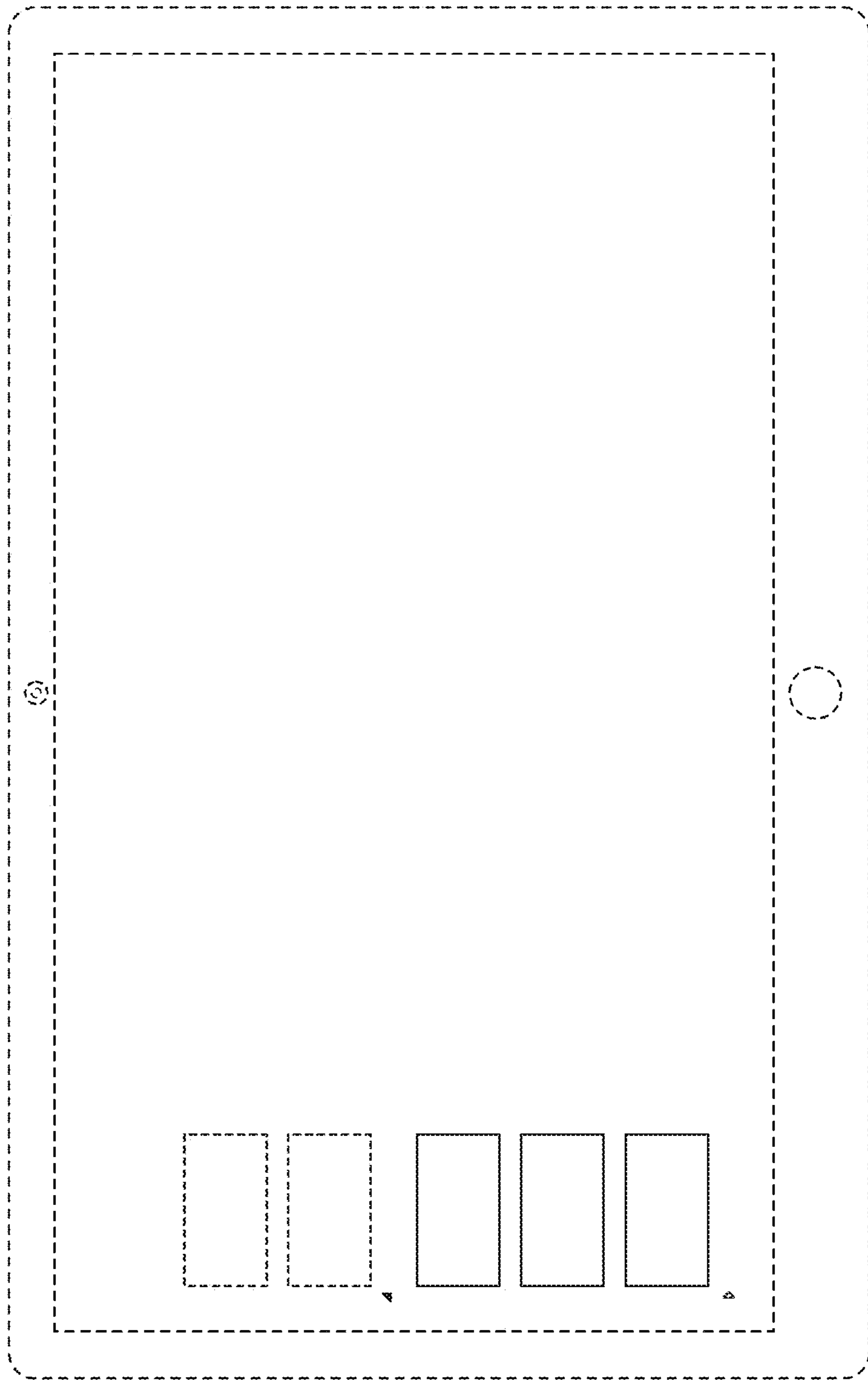


FIG. 10