



US00D695750S

(12) **United States Design Patent**
Ehrlich

(10) **Patent No.:** **US D695,750 S**

(45) **Date of Patent:** **** Dec. 17, 2013**

(54) **TRACKPAD AND KEYBOARD PLATFORM**

(71) Applicant: **Jake Ehrlich**, San Francisco, CA (US)

(72) Inventor: **Jake Ehrlich**, San Francisco, CA (US)

(**) Term: **14 Years**

(21) Appl. No.: **29/439,591**

(22) Filed: **Dec. 13, 2012**

(51) **LOC (9) Cl.** **14-02**

(52) **U.S. Cl.**
USPC **D14/457**

(58) **Field of Classification Search**
USPC D14/457-460, 391-399; D6/406.3,
D6/406.5, 511; 108/43, 50.01; 206/320;
220/17.1; 248/346.01, 346.04, 444,
248/118; 361/679.08, 679.09, 679.55
See application file for complete search history.

(56) **References Cited**

U.S. PATENT DOCUMENTS

106,016	A *	8/1870	Woodbury	108/43
130,094	A *	7/1872	White et al.	108/43
297,219	A *	4/1884	Anthony	108/43
5,732,910	A *	3/1998	Martin	248/118
5,862,933	A *	1/1999	Neville	220/17.1
D413,209	S *	8/1999	Jarke	D6/406.3
6,173,656	B1 *	1/2001	Blanchard	108/43

6,353,530	B1 *	3/2002	Zarek et al.	361/679.55
6,876,546	B2 *	4/2005	Tsao	361/679.08
7,536,960	B1 *	5/2009	Perez et al.	108/43
7,752,981	B2 *	7/2010	Blackburn	108/93
2002/0002935	A1 *	1/2002	Lease et al.	108/43
2002/0104948	A1 *	8/2002	Hicks et al.	248/346.01

* cited by examiner

Primary Examiner — Freda S Nunn

(57) **CLAIM**

I claim the ornamental design for a trackpad and keyboard platform, as shown and described.

DESCRIPTION

Further, this application claims priority to U.S. design patent application Ser. No. 29/373,525 filed Apr. 19, 2011 entitled Trackpad and Keyboard Platform in its entirety is herein incorporated by reference.

FIG. 1 is a front perspective view of the trackpad and keyboard platform;

FIG. 2 is a bottom plan view thereof;

FIG. 3 is a rear view thereof;

FIG. 4 is a front view thereof;

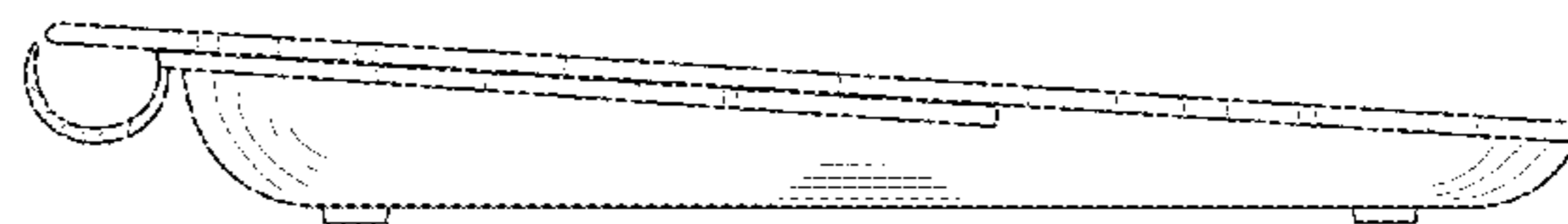
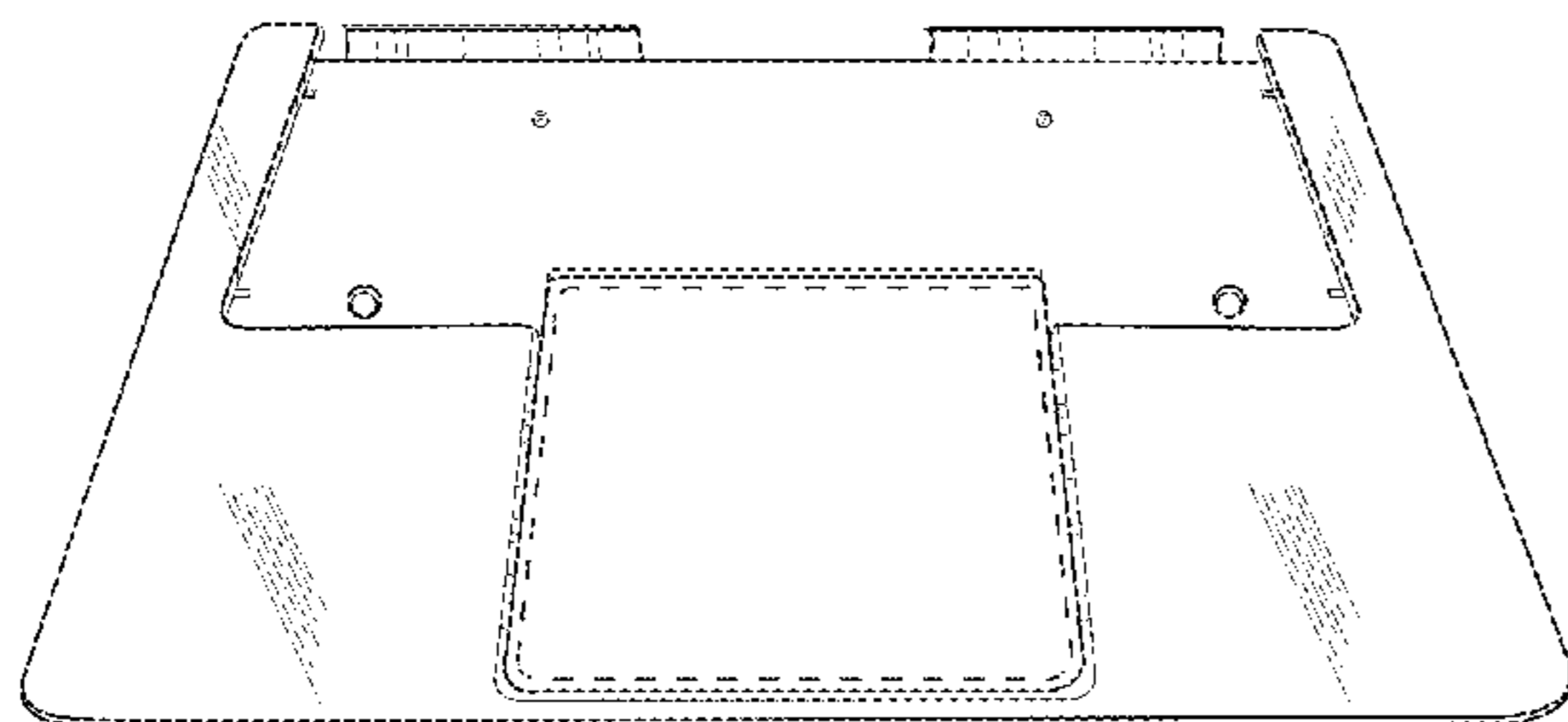
FIG. 5 is a left side view thereof;

FIG. 6 is a left side perspective view thereof; and,

FIG. 7 is a top plan view thereof.

The broken lines in FIGS. 1 and 7 represent a boundary of the claimed design and forms no part of the claimed invention.

1 Claim, 7 Drawing Sheets



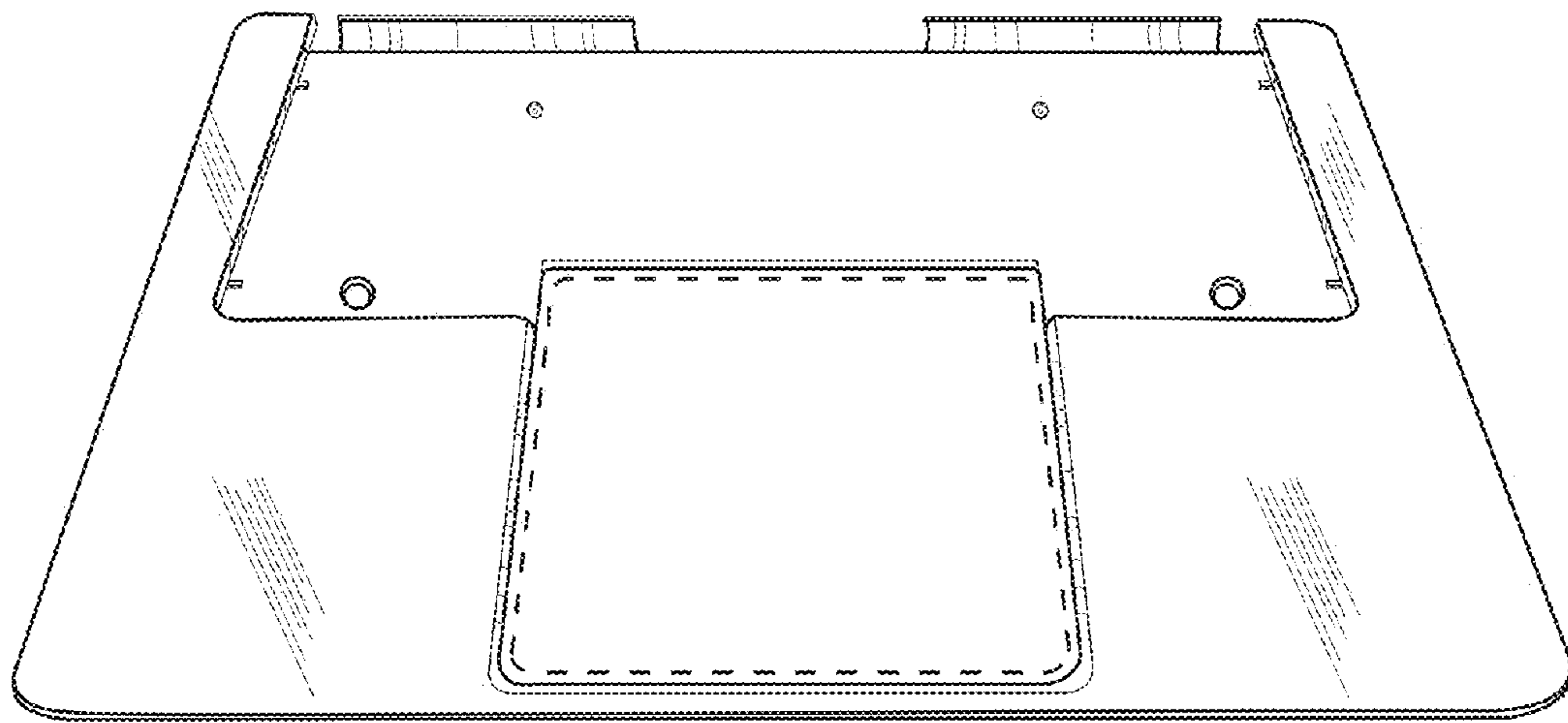


FIG.1

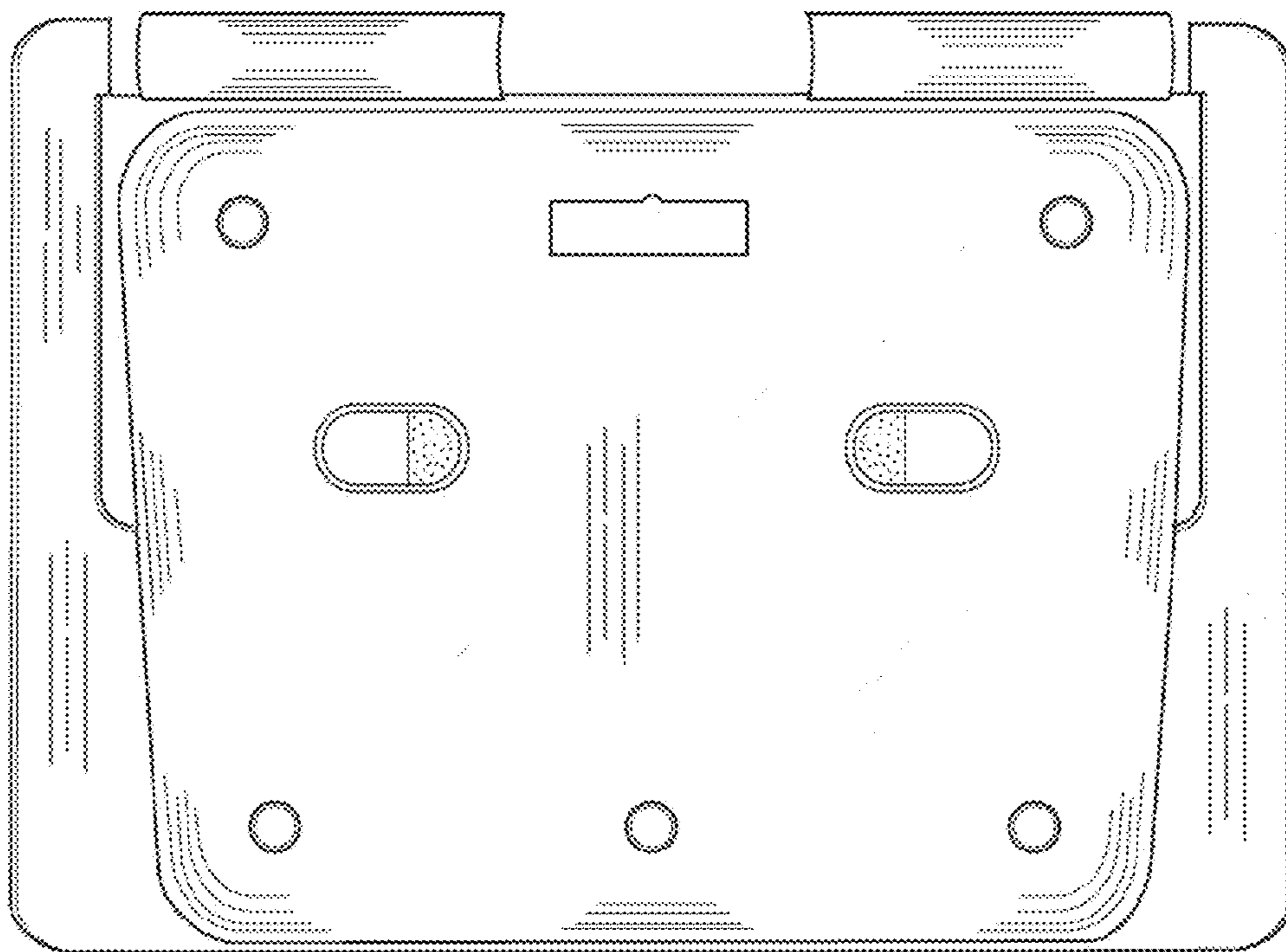


FIG. 2

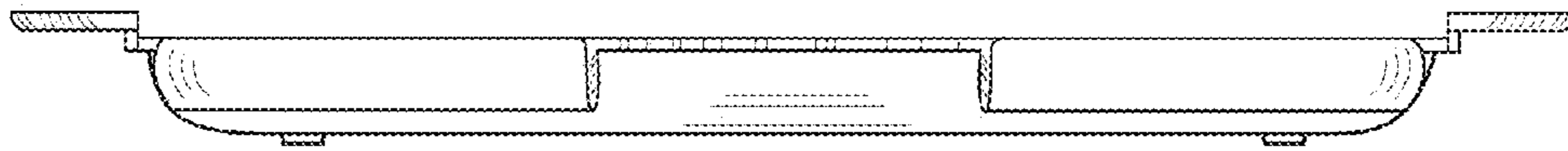


FIG.3



FIG.4

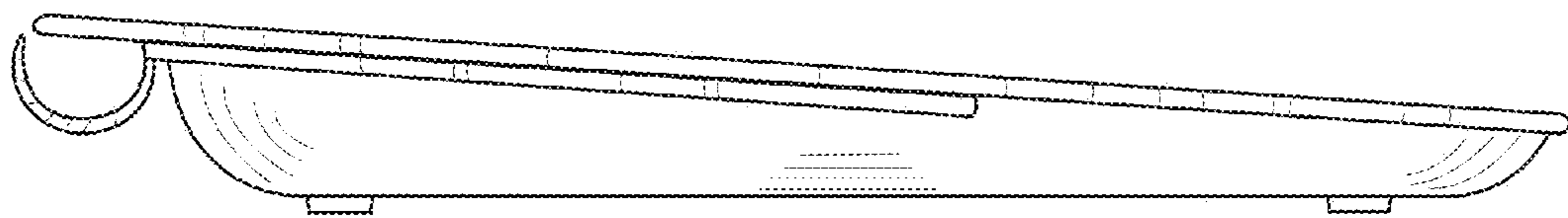


FIG.5

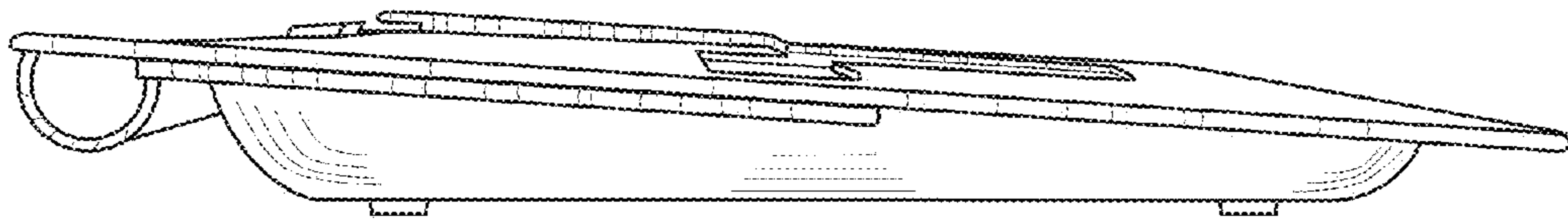


FIG.6

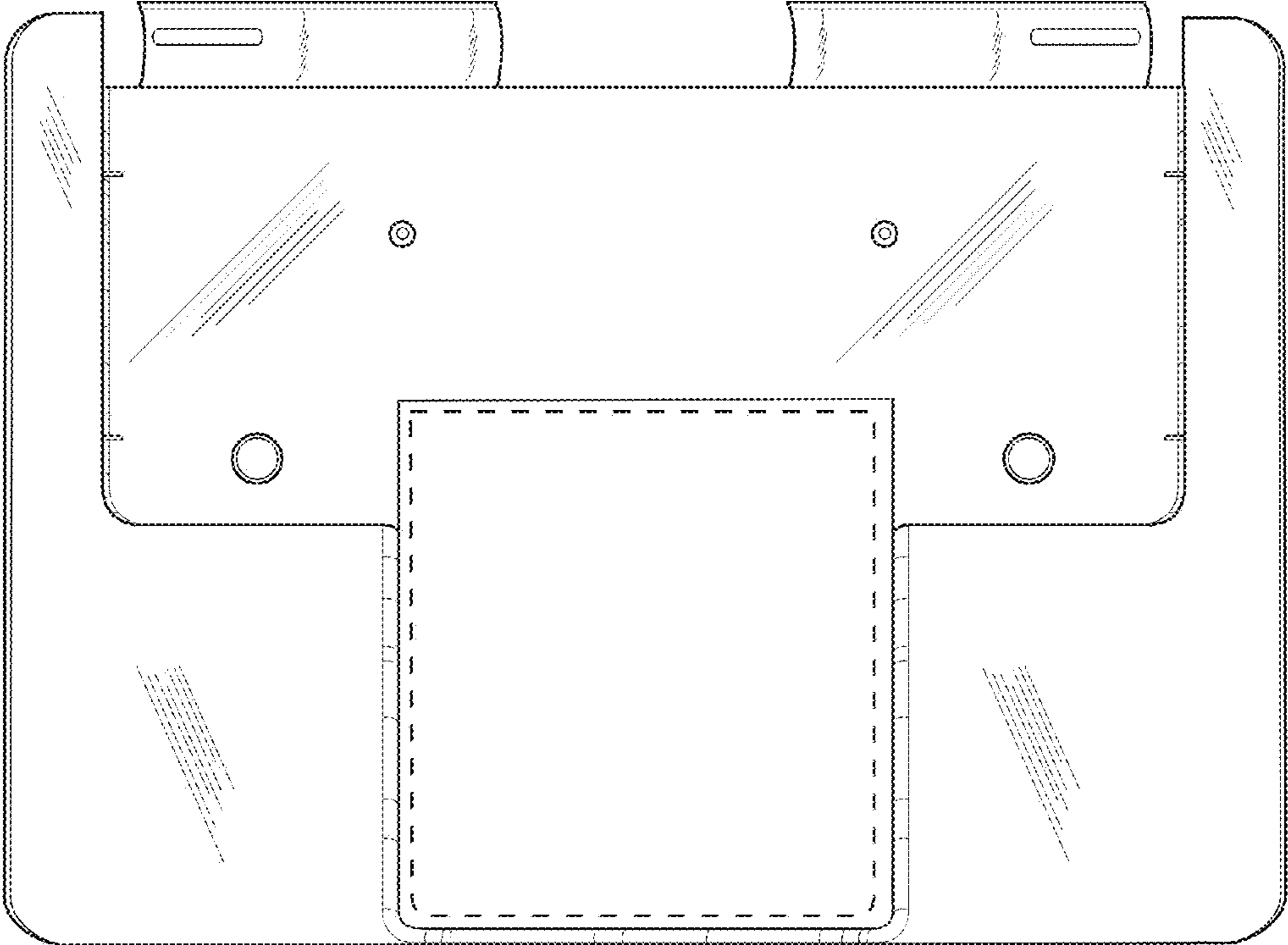


FIG.7