

US00D695748S

(12) **United States Design Patent**
Morris et al.

(10) **Patent No.:** **US D695,748 S**

(45) **Date of Patent:** **** Dec. 17, 2013**

(54) **PORTABLE ELECTRONICS TRAY**

(71) Applicants: **Crystal Morris**, Tampa, FL (US); **Kenji Music**, Wesley Chapel, FL (US); **Robert McCoy**, Odessa, FL (US)

(72) Inventors: **Crystal Morris**, Tampa, FL (US); **Kenji Music**, Wesley Chapel, FL (US); **Robert McCoy**, Odessa, FL (US)

(**) Term: **14 Years**

(21) Appl. No.: **29/443,126**

(22) Filed: **Jan. 14, 2013**

(51) **LOC (9) Cl.** **08-07**

(52) **U.S. Cl.**
USPC **D14/447**

(58) **Field of Classification Search**
USPC D14/447, 432, 433, 439, 440, 451, 452, D14/239, 217, 224.1, 251, 252, 253, 457, D14/458, 459, 460, 461, 434, 205, 209.1, D14/223; D6/406.1, 406.2, 406.3, 406.4, D6/406.5, 406.6; D12/415; 361/679.09, 361/679.21, 679.22, 679.24, 679.26, 361/679.27, 679.28, 679.3, 679.55, 679.56, 361/709; 248/917-924, 133, 136, 139, 150, 248/176.1, 188.6; D13/108, 110; D8/363; D21/333

See application file for complete search history.

(56) **References Cited**

U.S. PATENT DOCUMENTS

D319,357 S * 8/1991 Horne D12/426.1
D356,532 S * 3/1995 Butzman D12/133
D402,642 S * 12/1998 Faranda et al. D14/434
D413,872 S * 9/1999 Jessen D14/447
D455,755 S * 4/2002 Levine et al. D14/447

D571,815 S * 6/2008 Chung D14/447
D579,455 S * 10/2008 Chu D14/447
D583,163 S * 12/2008 Jennings D6/406.6
D620,942 S * 8/2010 Huang D14/447
RE42,054 E * 1/2011 Park et al. D14/447
D674,803 S * 1/2013 Westrup D14/440
D682,282 S * 5/2013 Steinfeld D14/447

* cited by examiner

Primary Examiner — Angela J Lee

(74) *Attorney, Agent, or Firm* — Law Office of Stacy Matulis

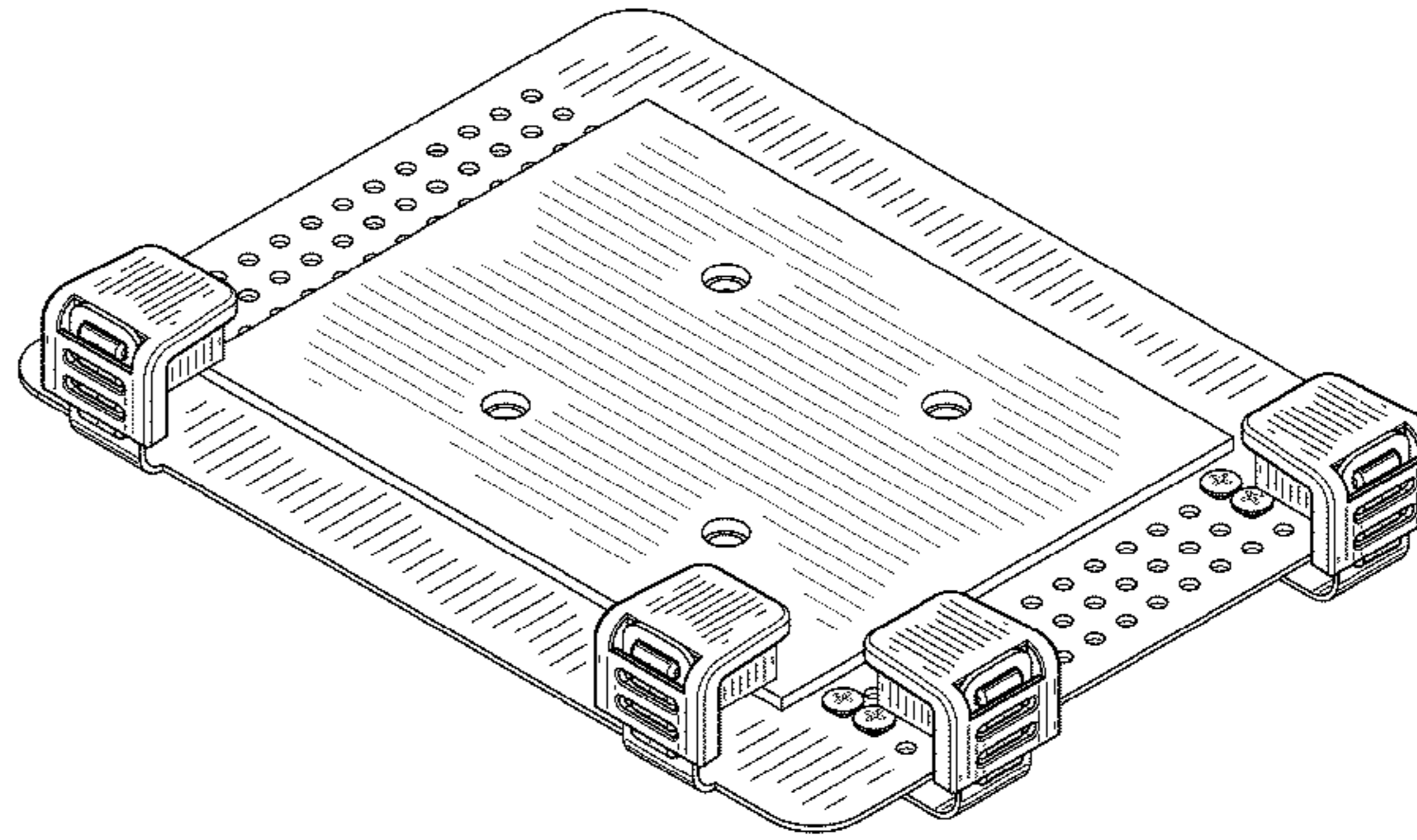
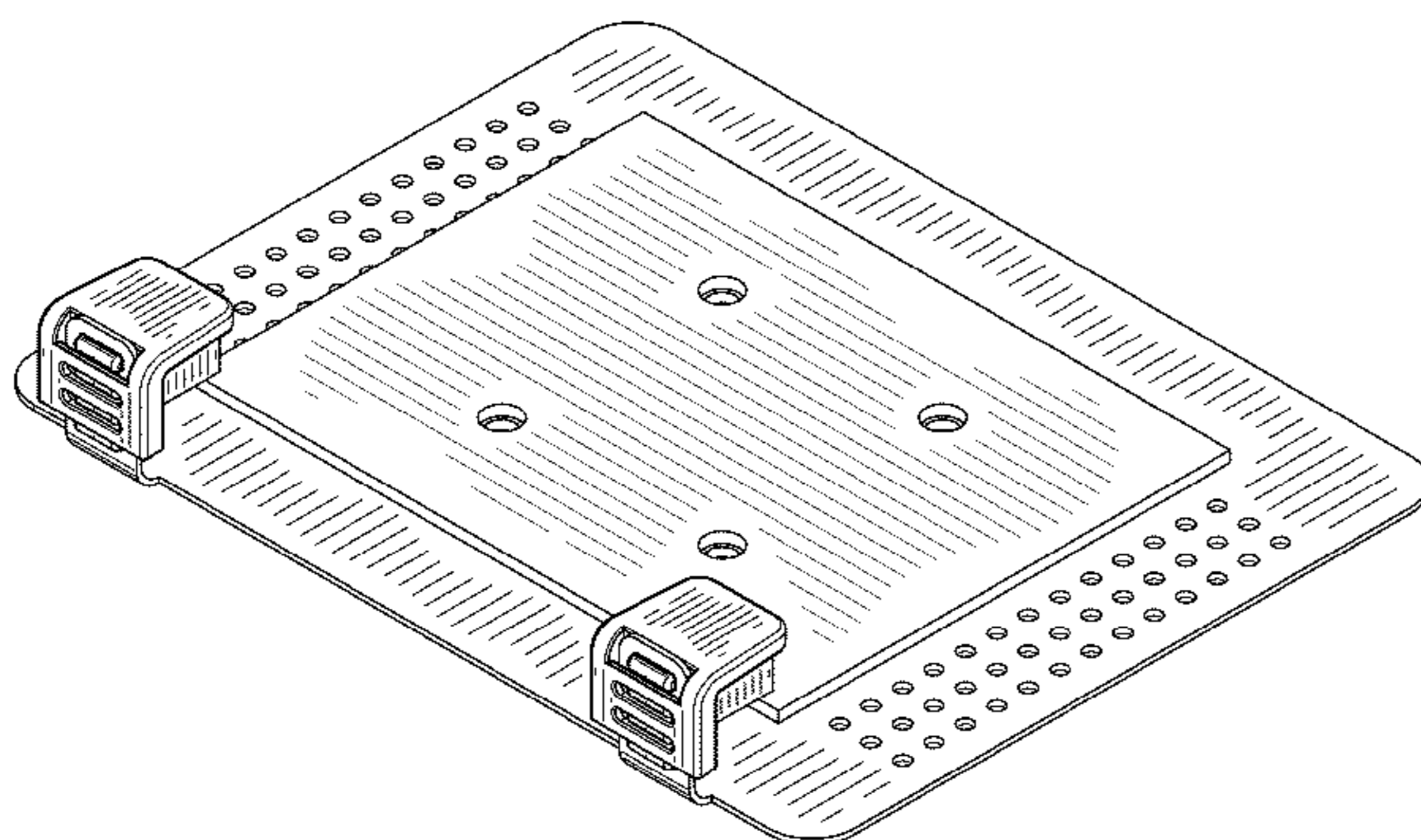
(57) **CLAIM**

We claim the ornamental design for a portable electronics tray, as shown and described.

DESCRIPTION

FIG. 1 is a top, perspective view of a portable electronics tray showing a first embodiment of our design; FIG. 2 is a bottom, perspective view thereof; FIG. 3 is a back view thereof; FIG. 4 is a front view thereof; FIG. 5 is a top view thereof; FIG. 6 is a bottom view thereof; FIG. 7 is a right side view thereof; FIG. 8 is a left side view thereof; FIG. 9 is a top, perspective view of a portable electronics tray showing a second embodiment of our design; FIG. 10 is a bottom, perspective view thereof; FIG. 11 is a right side view thereof; FIG. 12 is a left side view thereof; FIG. 13 is a top view thereof; FIG. 14 is a bottom view thereof; FIG. 15 is a front view thereof; and, FIG. 16 is a back view thereof.

1 Claim, 8 Drawing Sheets



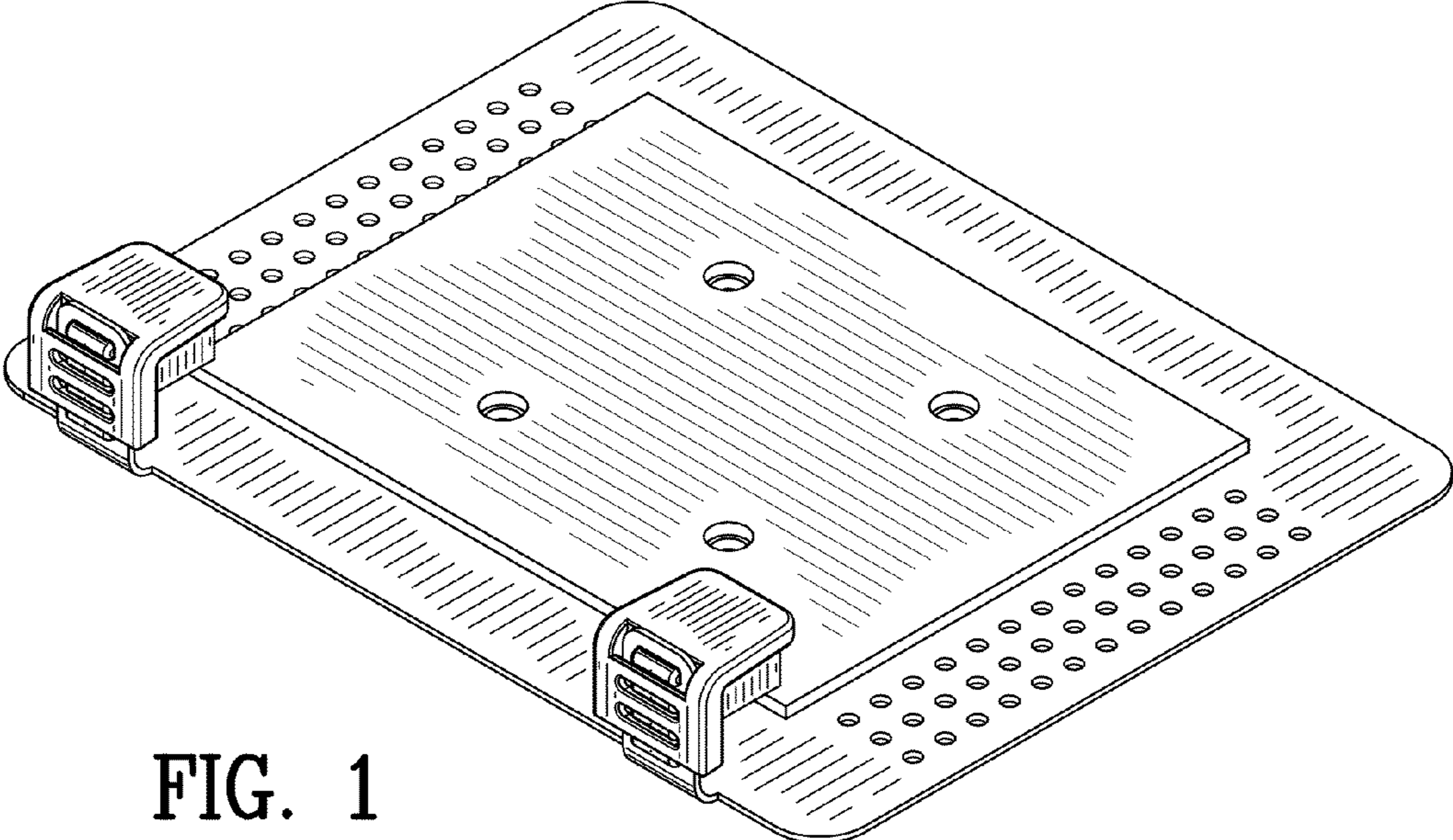


FIG. 1

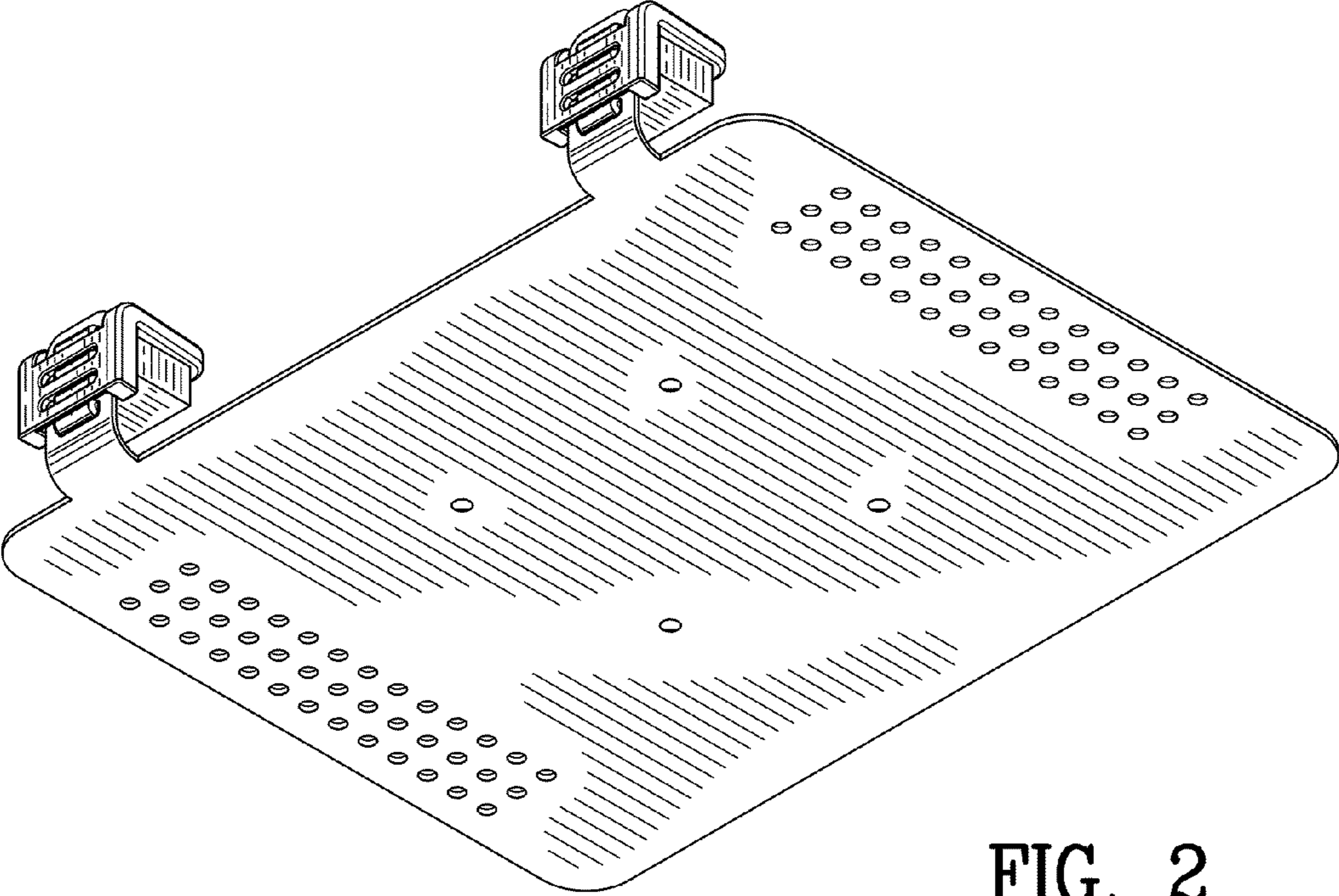


FIG. 2

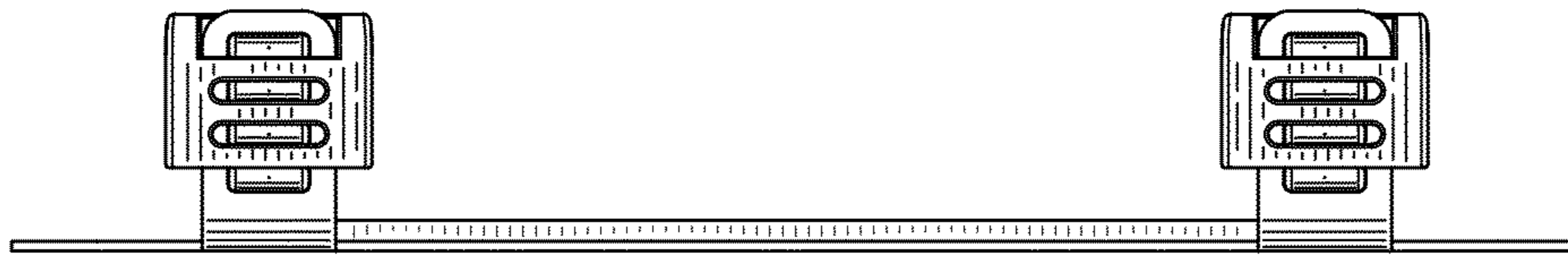


FIG. 3

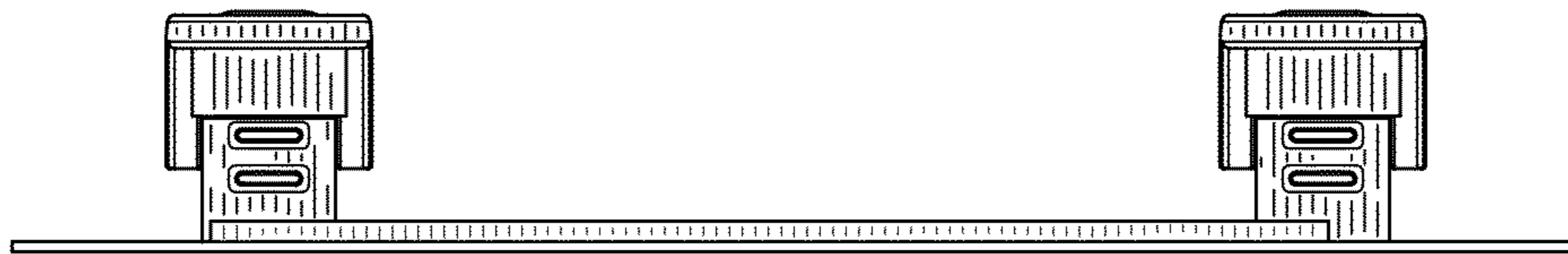


FIG. 4

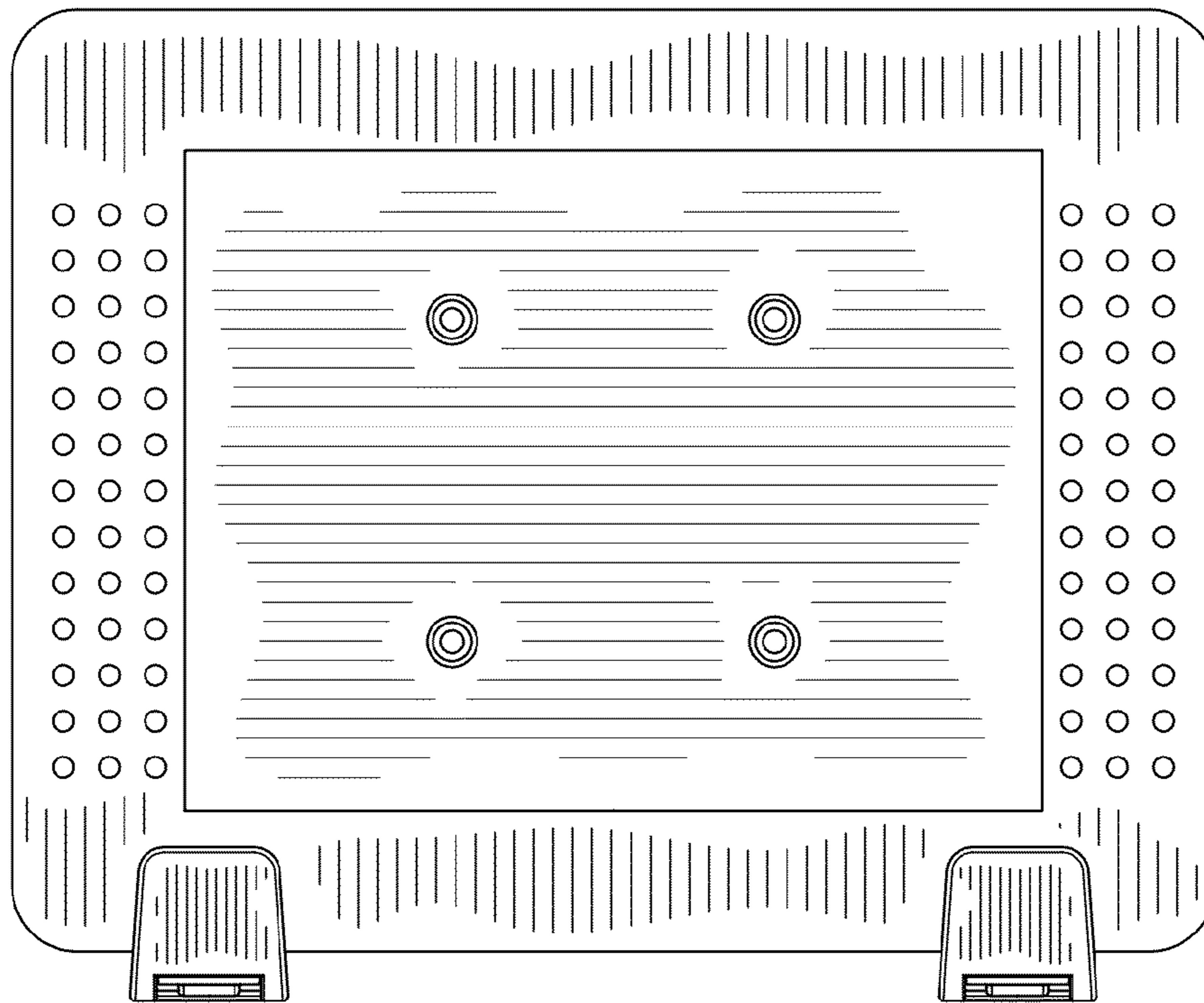


FIG. 5

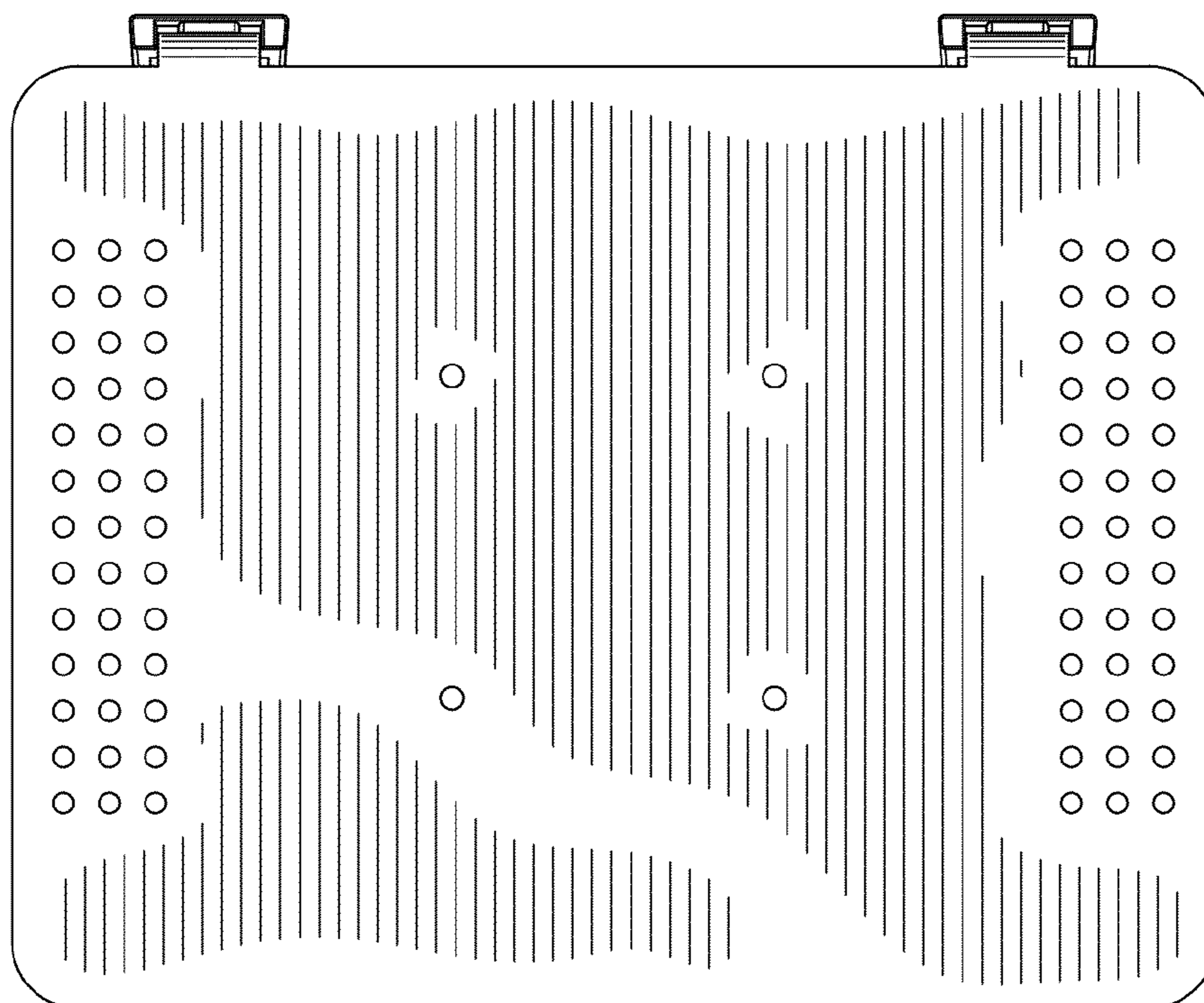


FIG. 6

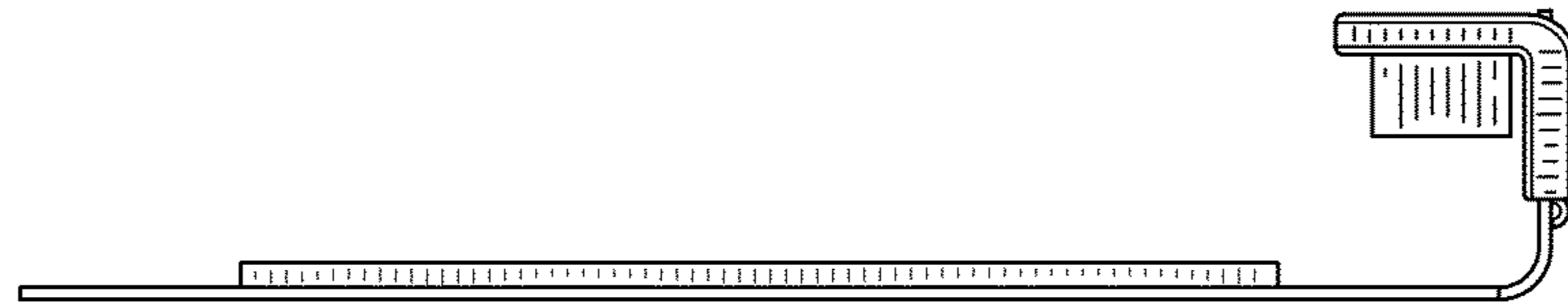


FIG. 7

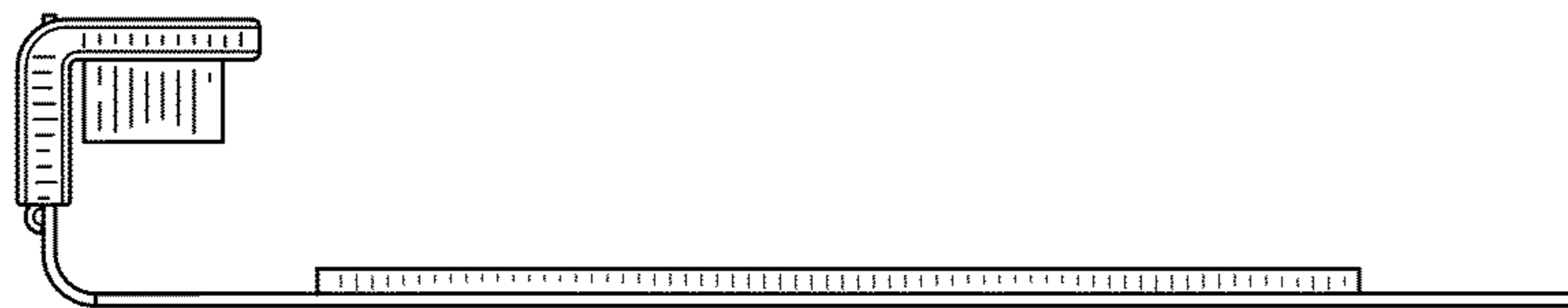


FIG. 8

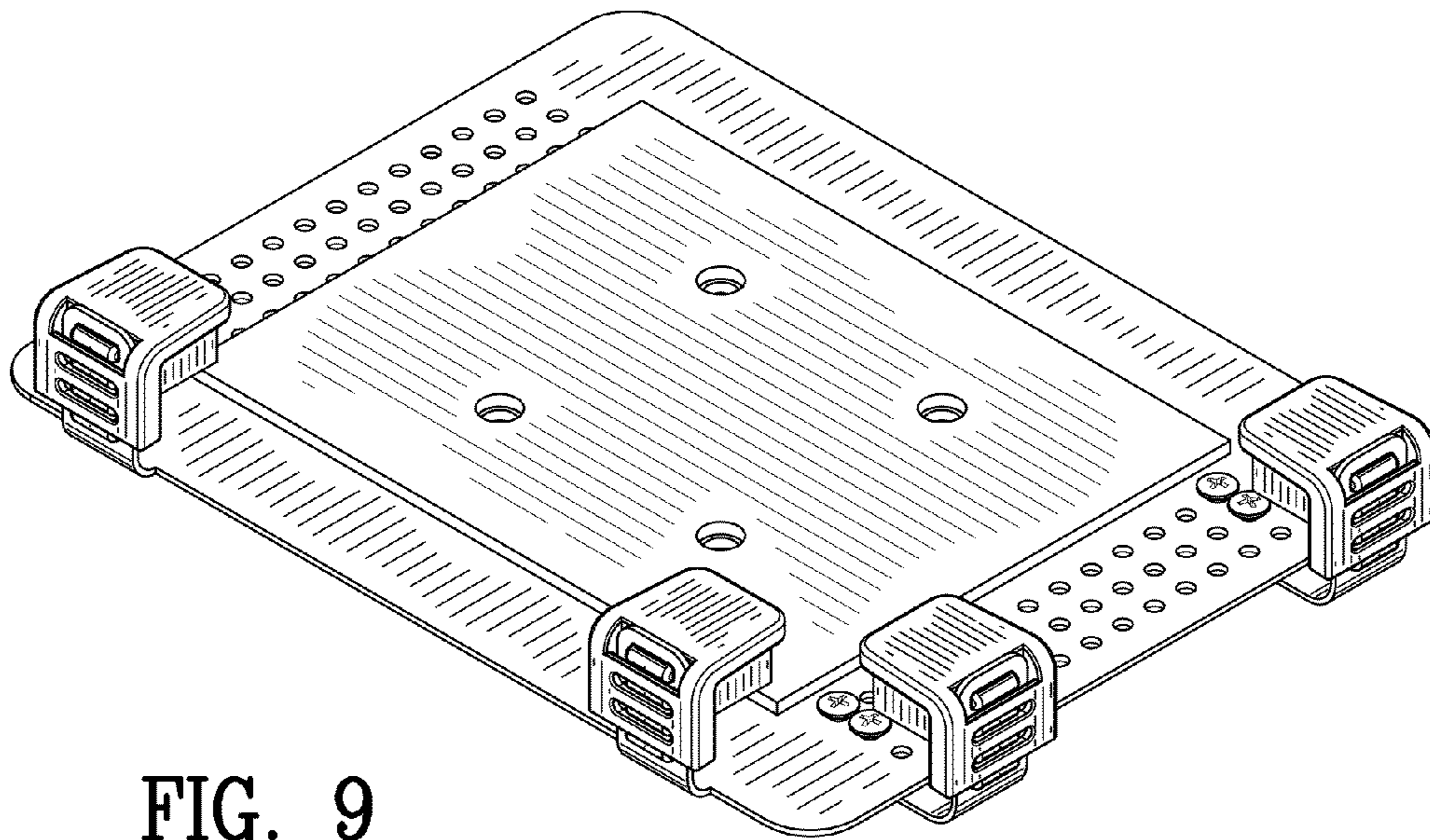


FIG. 9

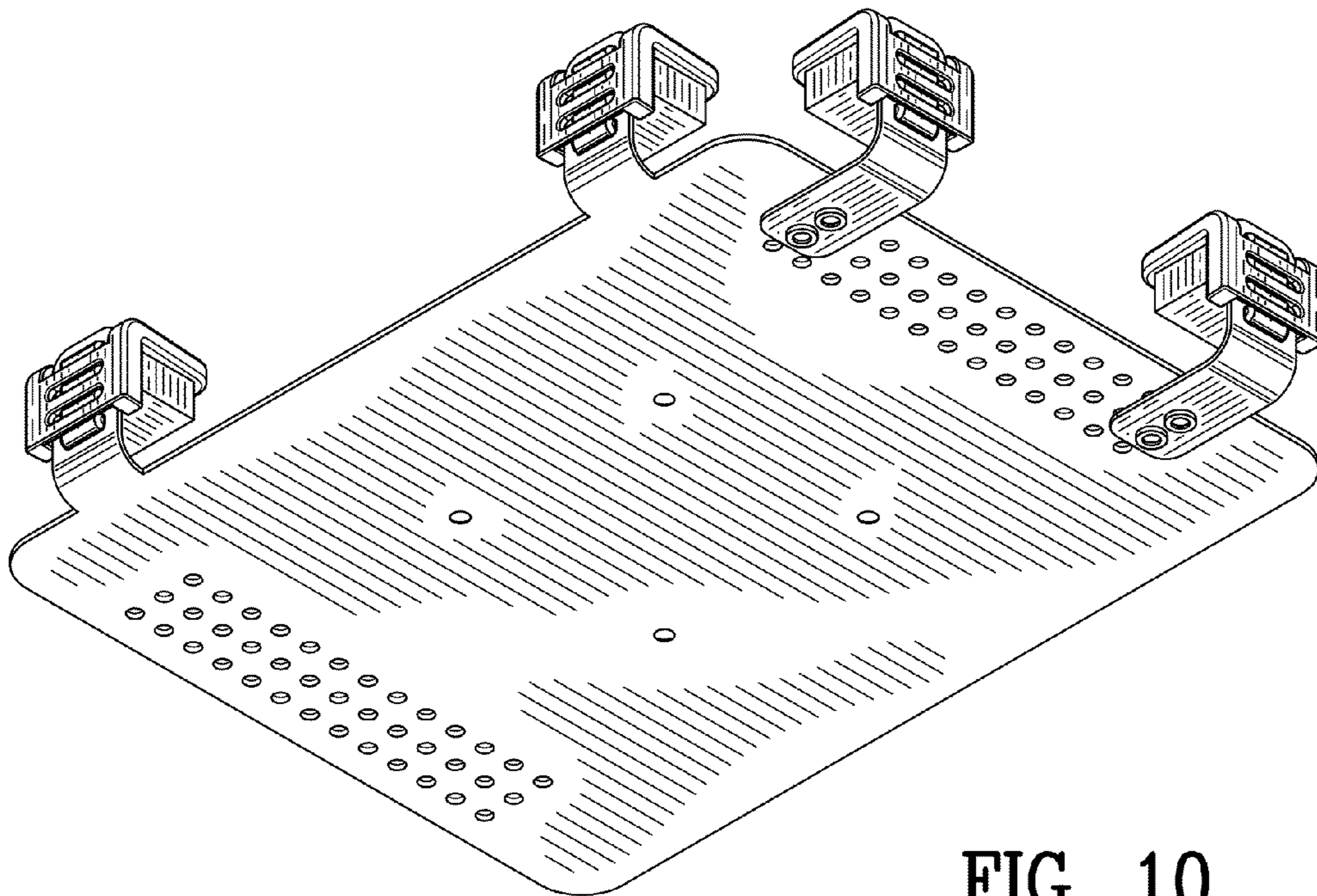


FIG. 10

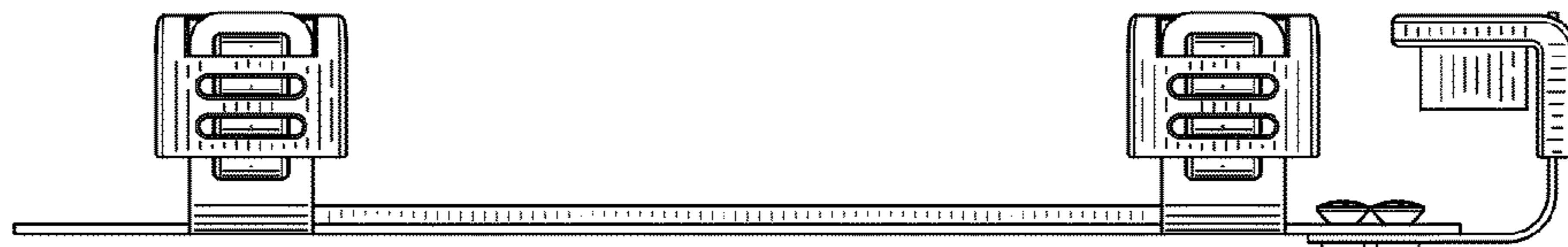


FIG. 11

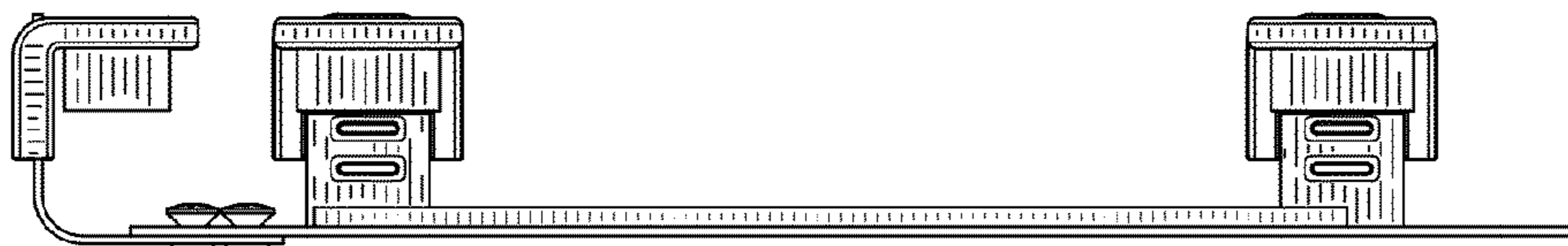


FIG. 12

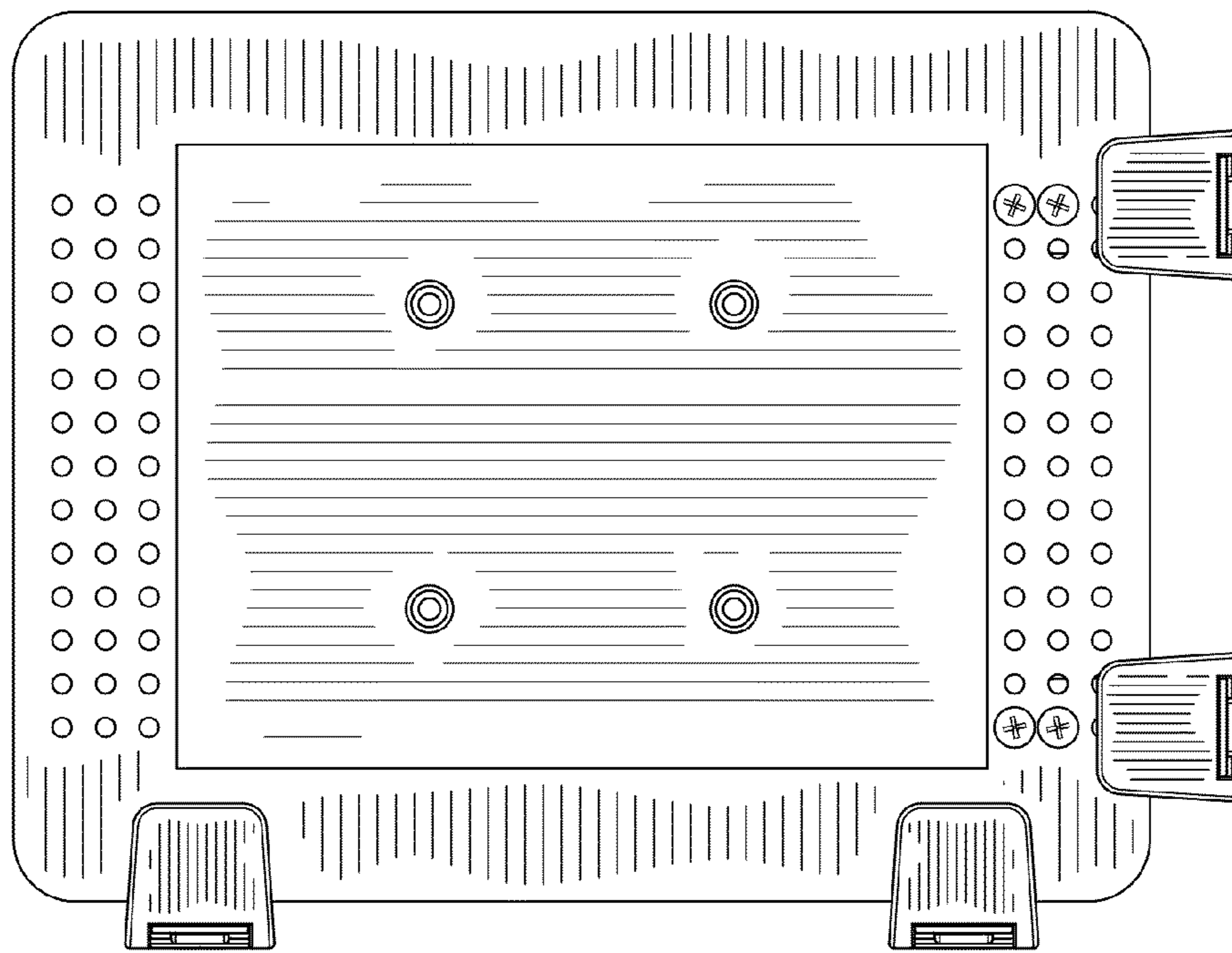


FIG. 13

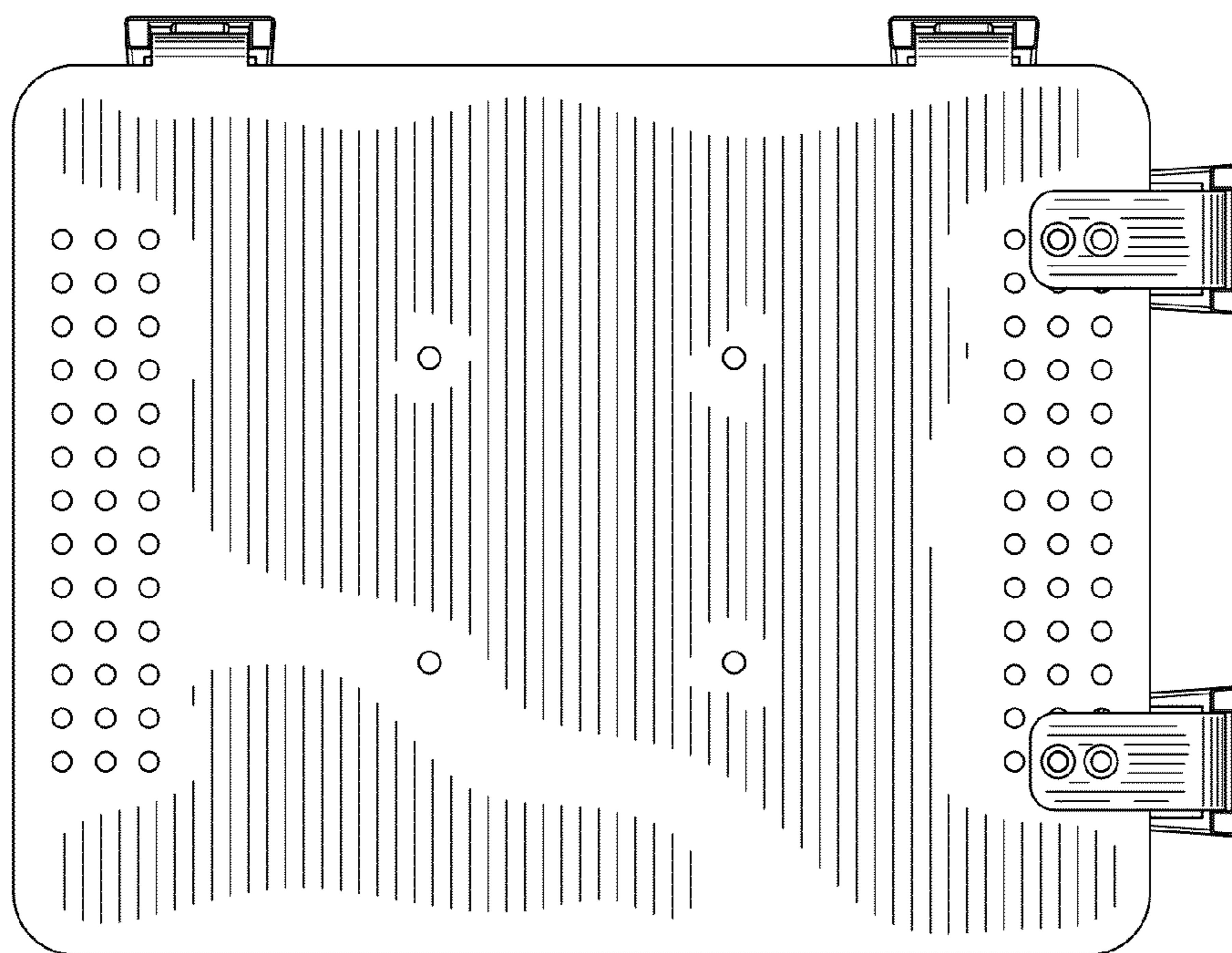


FIG. 14

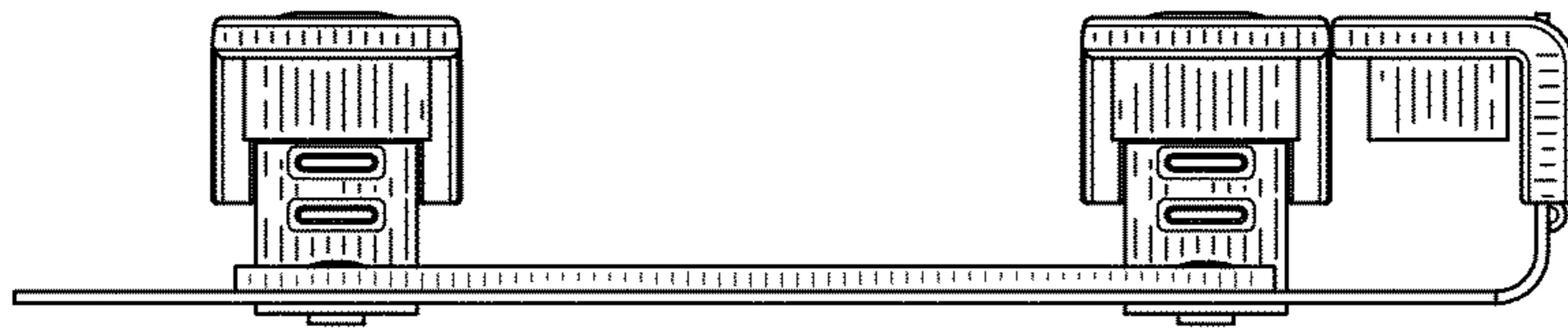


FIG. 15

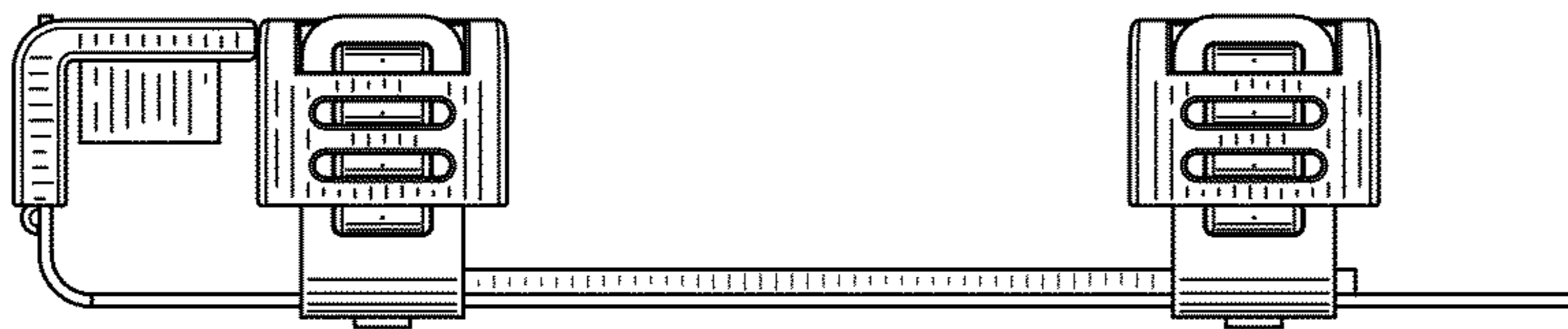


FIG. 16