



US00D695747S

(12) **United States Design Patent**
Hobbs

(10) **Patent No.:** **US D695,747 S**

(45) **Date of Patent:** **** Dec. 17, 2013**

(54) **DEVICE SUPPORT SYSTEM**

(71) Applicant: **Dustin Hobbs**, North Bonneville, WA
(US)

(72) Inventor: **Dustin Hobbs**, North Bonneville, WA
(US)

(**) Term: **14 Years**

(21) Appl. No.: **29/435,511**

(22) Filed: **Oct. 24, 2012**

(51) **LOC (9) Cl.** **08-07**

(52) **U.S. Cl.**
USPC **D14/447**

(58) **Field of Classification Search**

USPC D14/432, 433, 434, 439, 440, 451, 452,
D14/239, 217, 224.1, 251, 252, 253, 457,
D14/458, 459, 460, 461; D6/406.1, 406.2,
D6/406.3, 406.4, 406.5, 406.6;
361/679.06, 679.21, 679.22, 679.24,
361/679.26, 679.27, 679.28, 679.3, 679.55,
361/679.56, 709; 248/917-924, 133, 136,
248/139, 150, 176.1, 188.6; D13/108, 110;
D8/363

See application file for complete search history.

(56) **References Cited**

U.S. PATENT DOCUMENTS

D474,736 S * 5/2003 Sagawa D13/108
6,837,058 B1 * 1/2005 McEuen et al. 62/3.2
D568,809 S * 5/2008 Izumo et al. D13/108
D598,920 S * 8/2009 Fujino et al. D14/447
D621,405 S * 8/2010 Waite et al. D14/434
D628,562 S * 12/2010 Akana et al. D14/217

D636,395 S * 4/2011 Anderson et al. D14/434
D637,194 S * 5/2011 Kuroda et al. D14/447
D647,881 S * 11/2011 Warner D14/217
D652,043 S * 1/2012 Lee D14/447
D661,309 S * 6/2012 Murrer et al. D14/447
D667,012 S * 9/2012 Chen et al. D14/447
D671,543 S * 11/2012 Sogabe D14/447

* cited by examiner

Primary Examiner — Angela J Lee

(74) *Attorney, Agent, or Firm* — Tillman Wright, PLLC;
Darryl W. Shorter

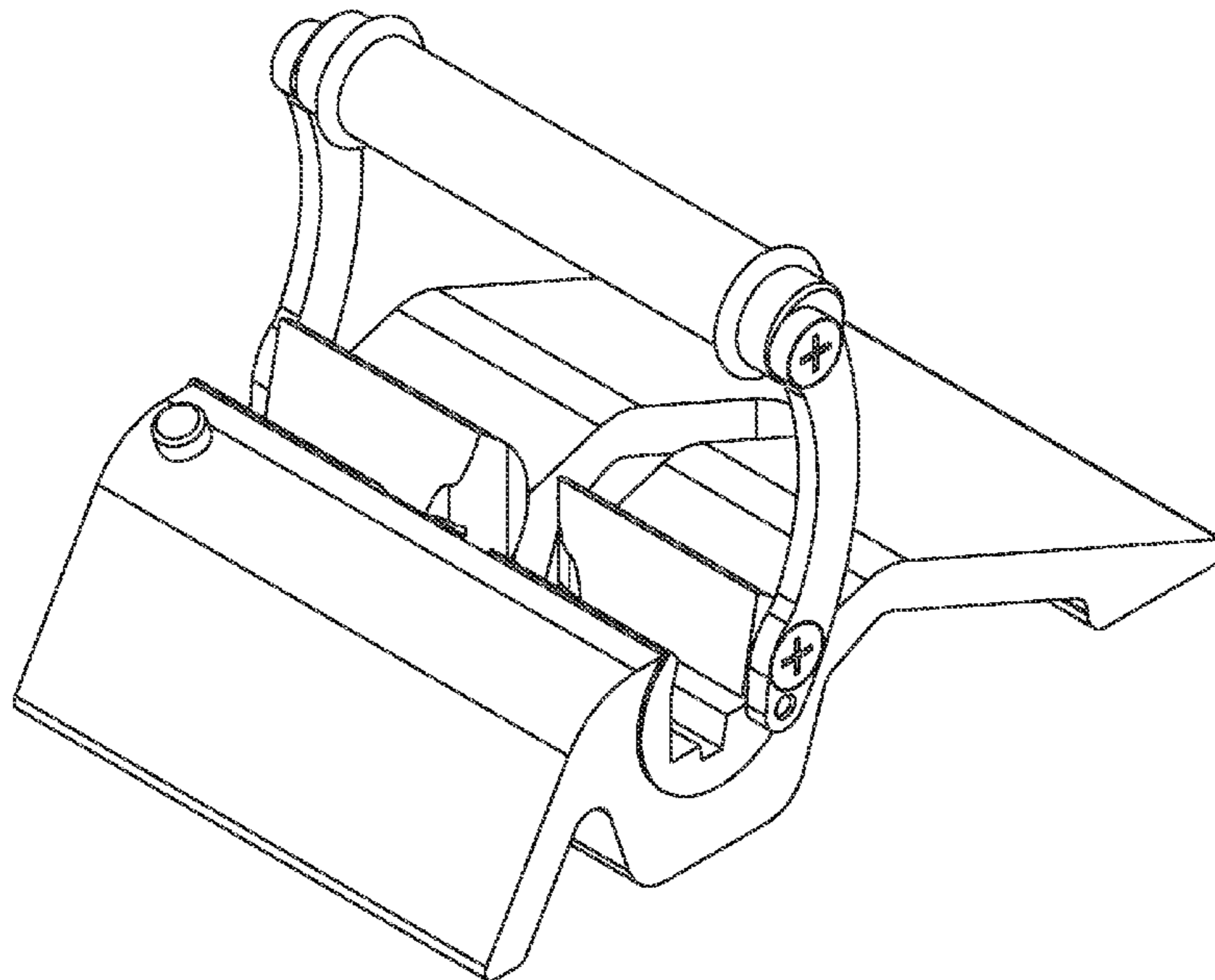
(57) **CLAIM**

The ornamental design for device support system, as shown and described.

DESCRIPTION

FIG. 1 is a perspective front view of the device support system showing my new design;
FIG. 2 is a right side view thereof;
FIG. 3 is a front view thereof;
FIG. 4 is a back view thereof;
FIG. 5 is a bottom plan view thereof;
FIG. 6 is a top plan view thereof; and,
FIG. 7 is a perspective view thereof, but with a mobile device shown in broken lines placed therein.
The broken lines shown in FIG. 7 are included for the purpose of illustrating environment of the design, and forms no part of the claimed design.
The left side view of the design, and the alternative, is a mirror image of the right side view.

1 Claim, 7 Drawing Sheets



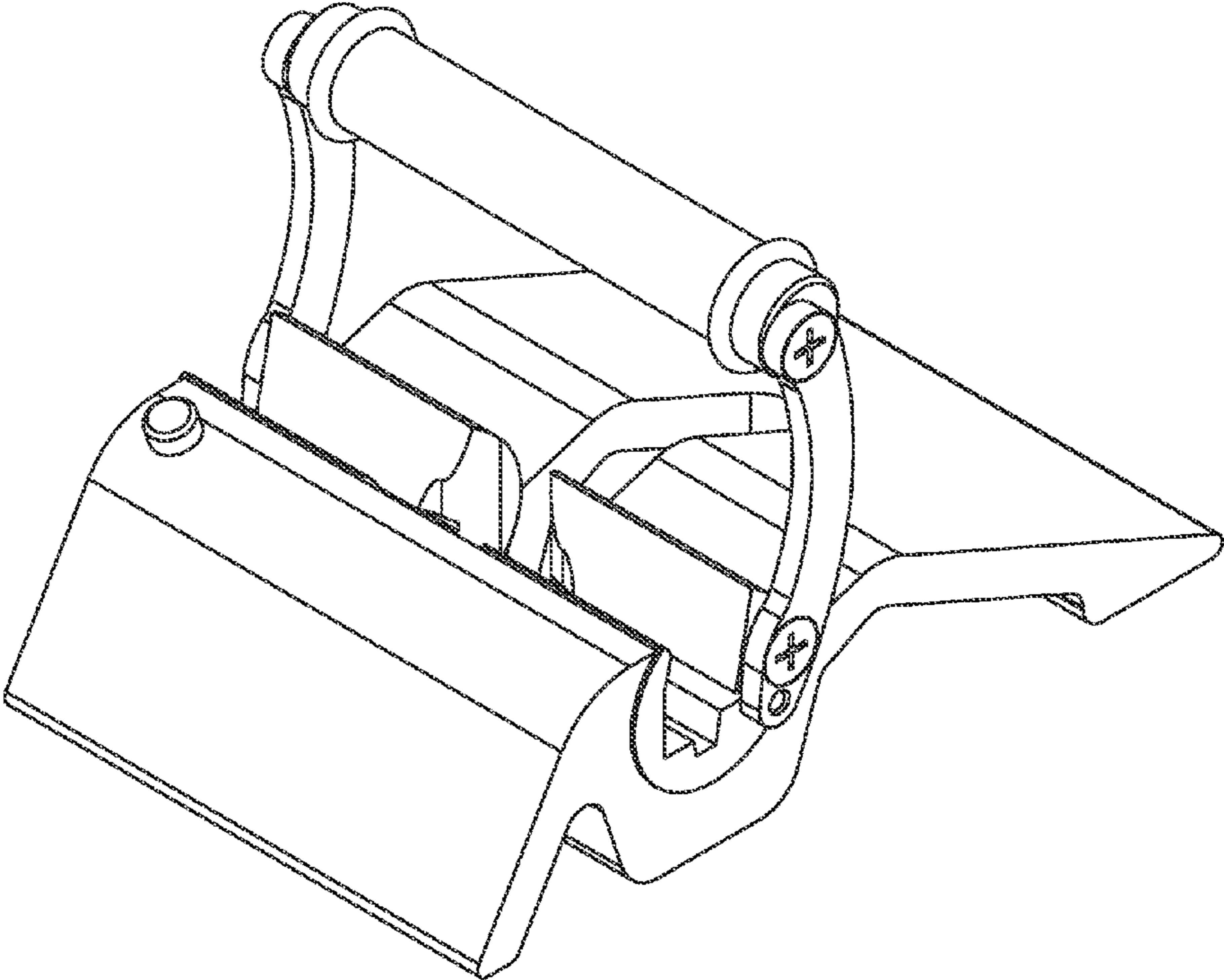


FIG. 1

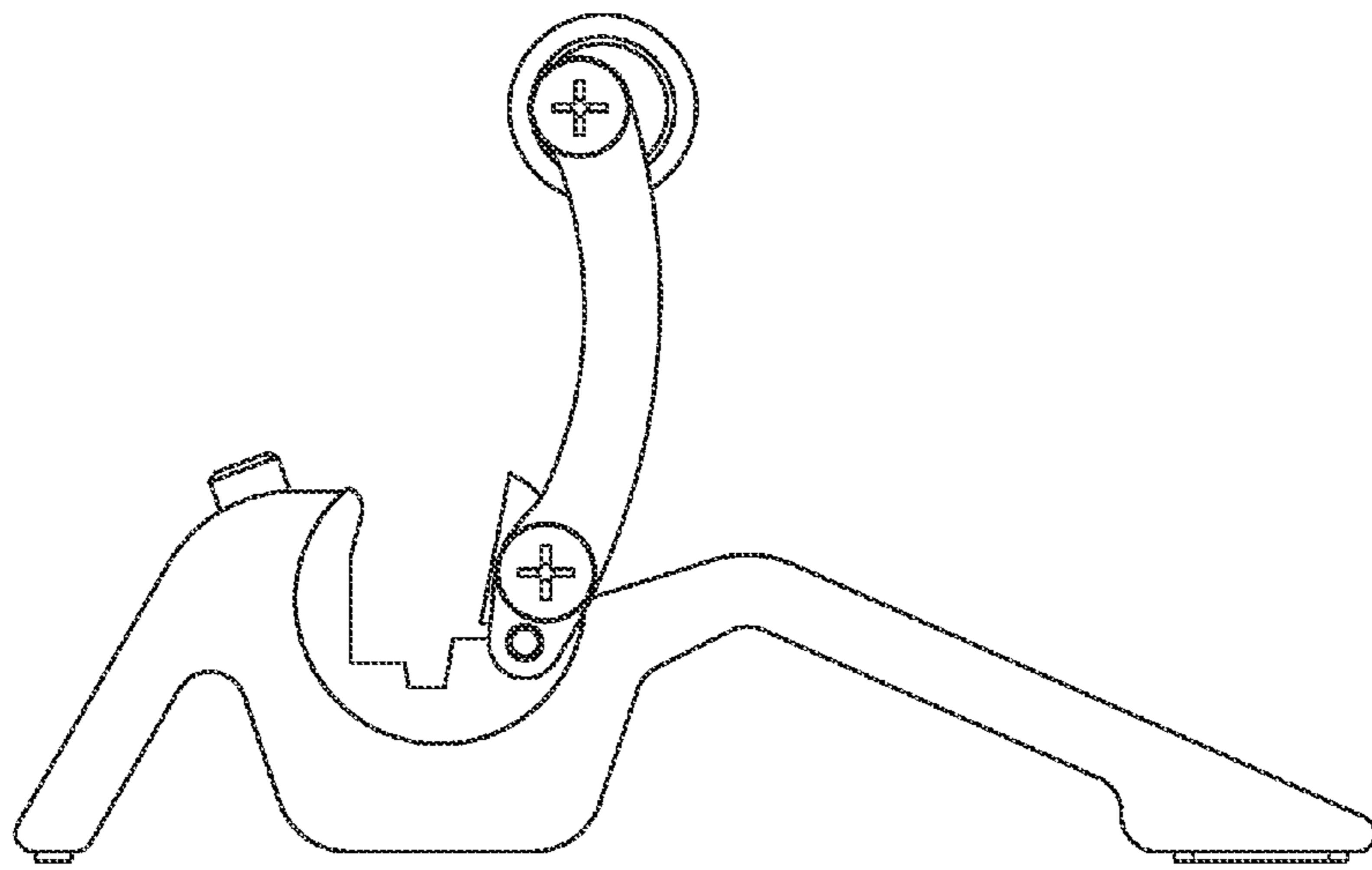


FIG. 2

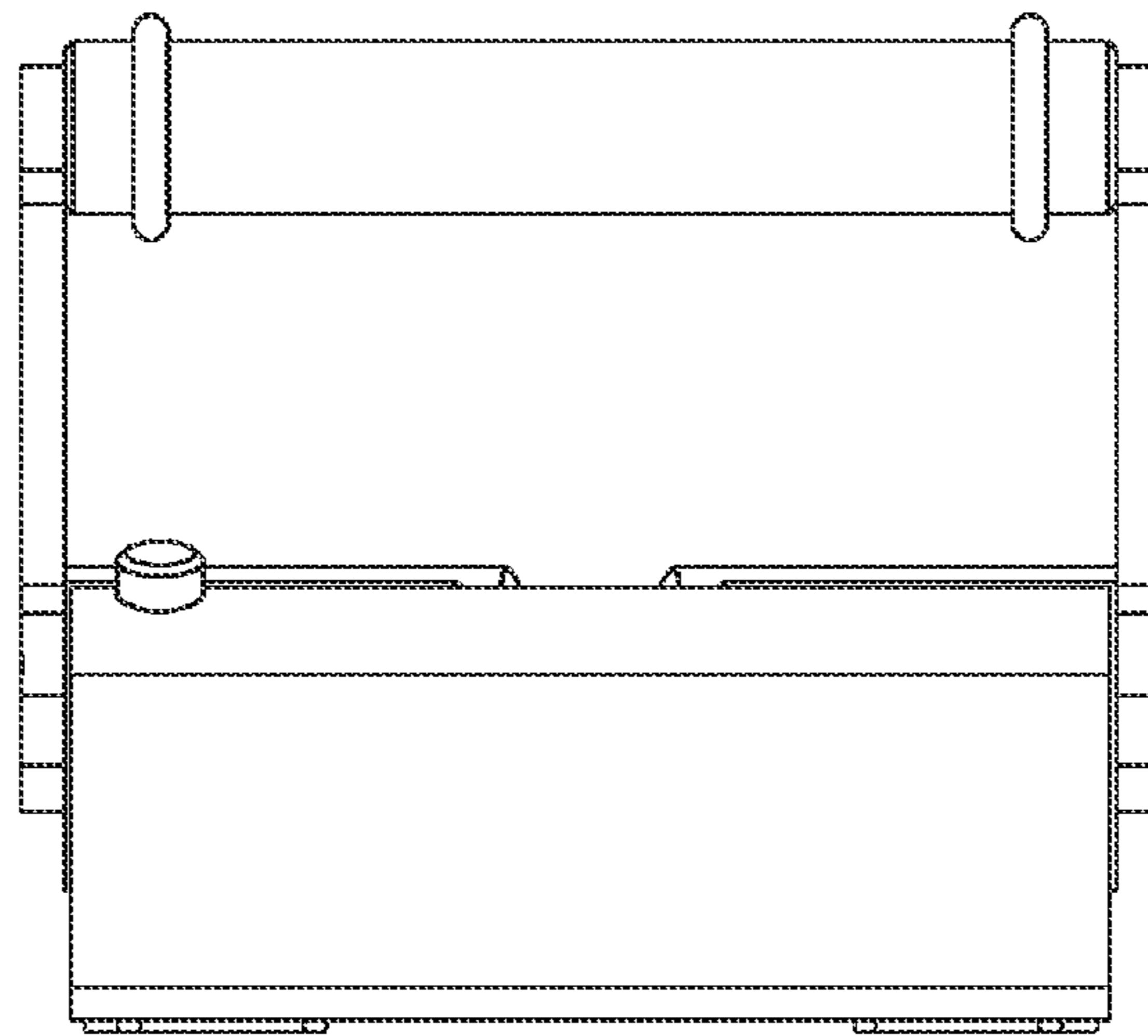


FIG. 3

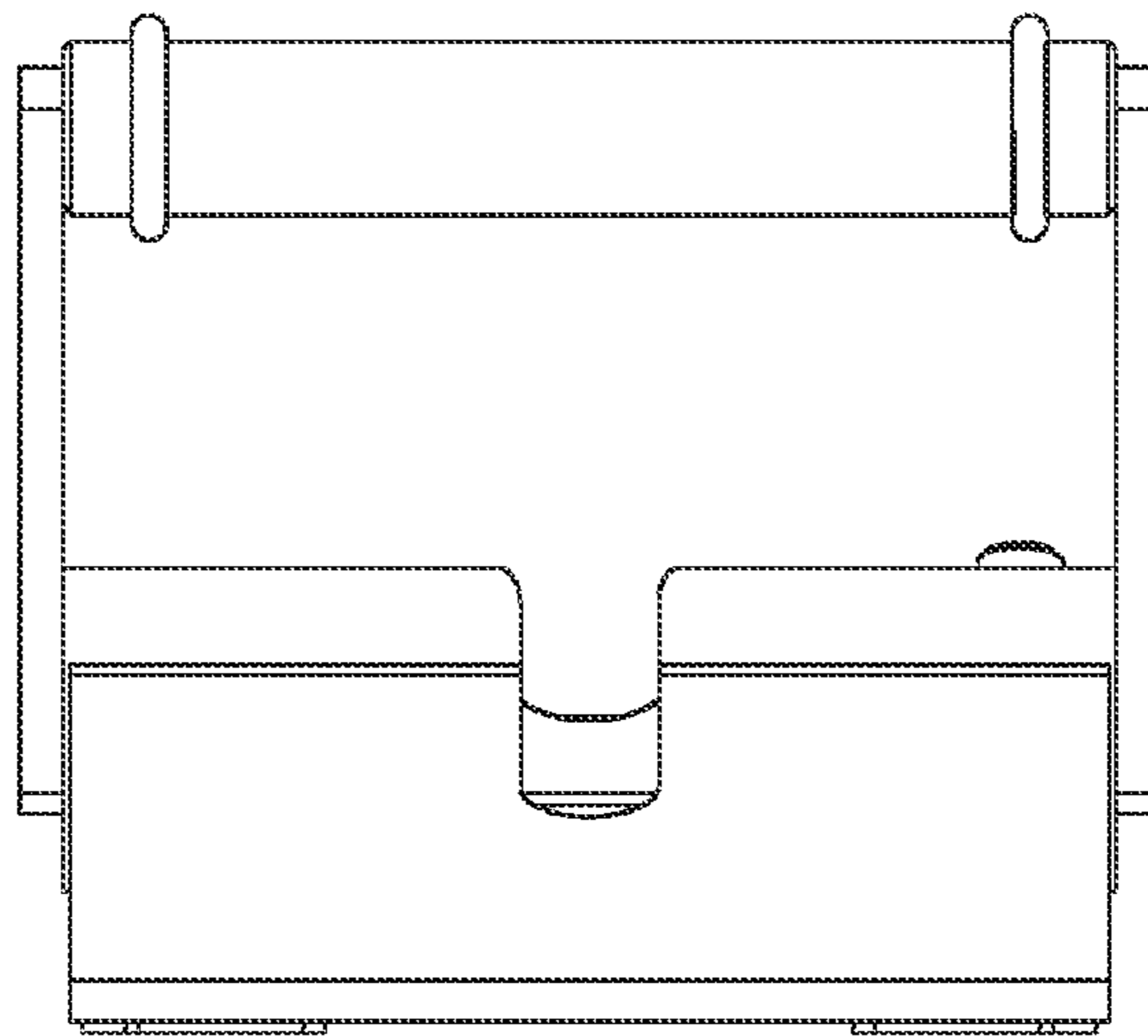


FIG. 4

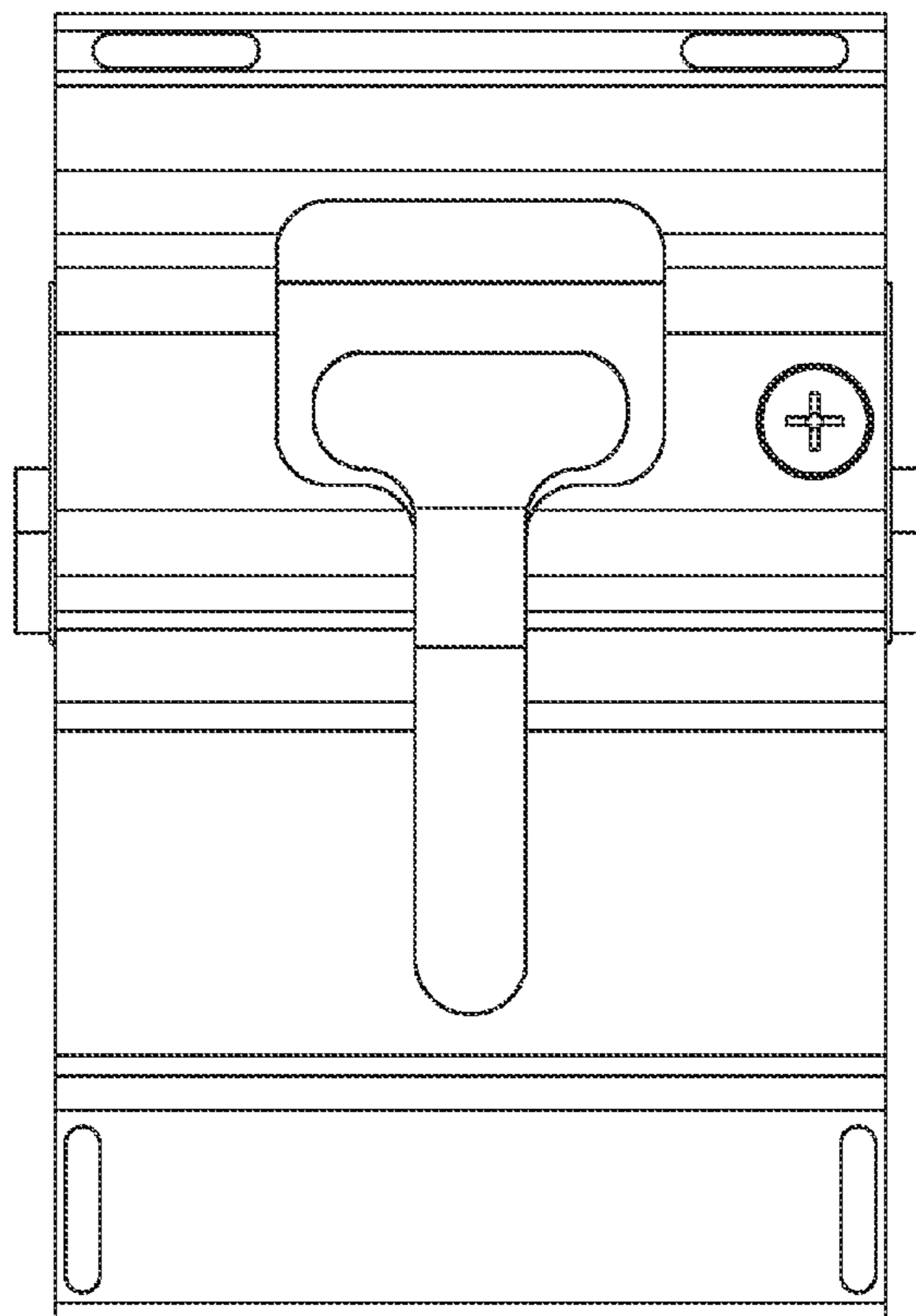


FIG. 5

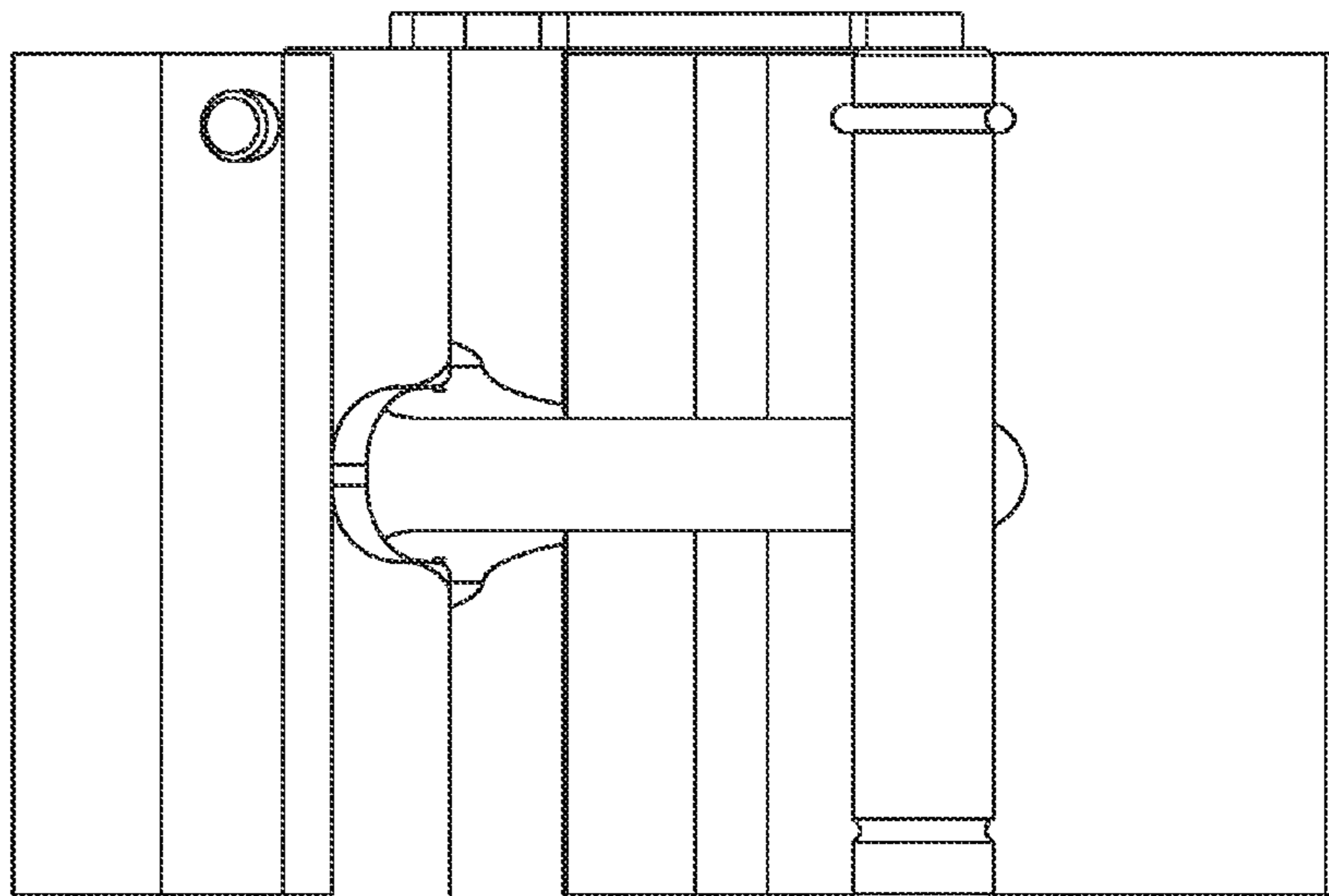


FIG. 6

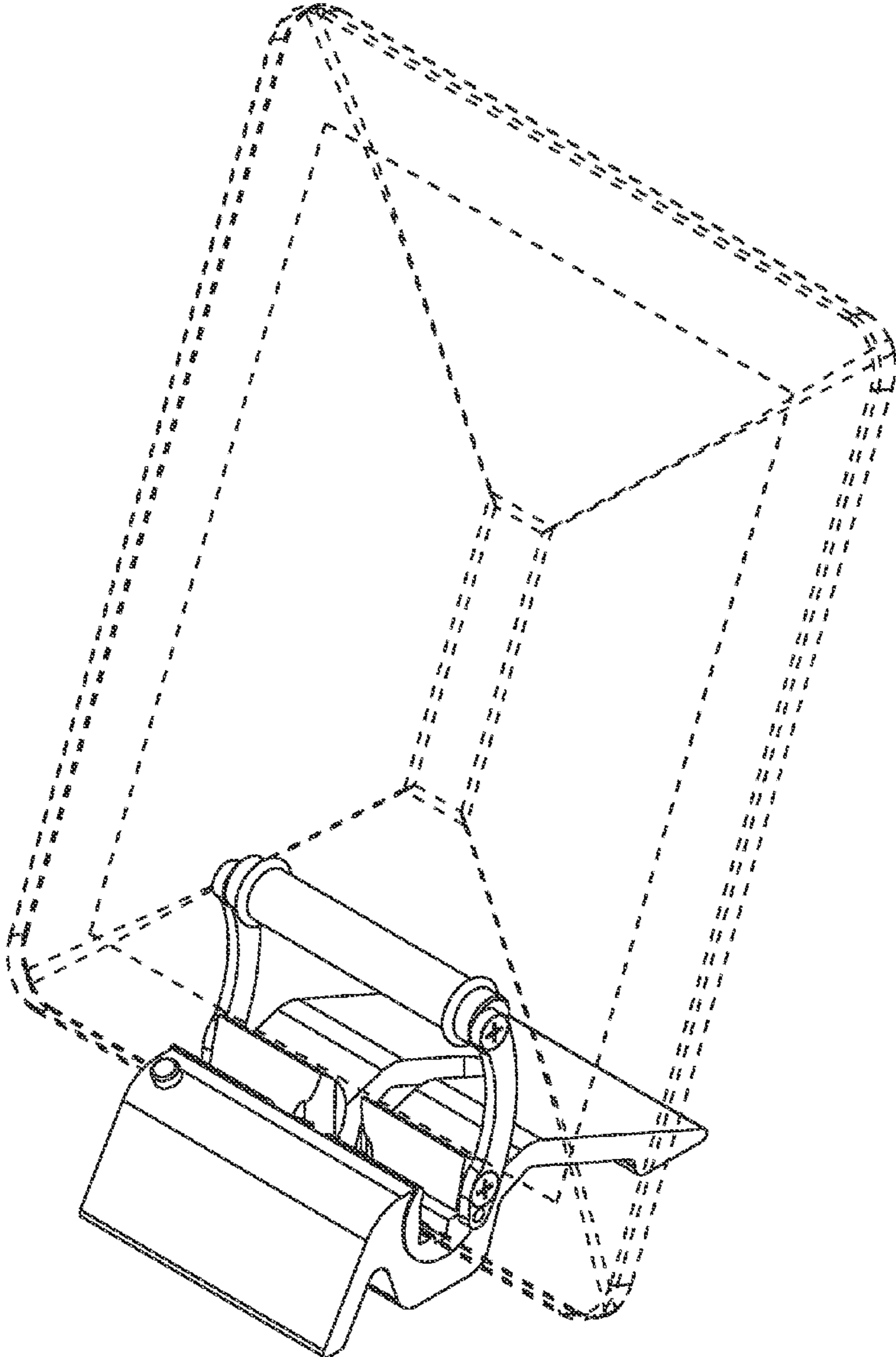


FIG. 7