



US00D695741S

(12) **United States Design Patent**  
**Wang**

(10) **Patent No.:** **US D695,741 S**

(45) **Date of Patent:** **\*\* Dec. 17, 2013**

(54) **STYLUS**

(71) Applicant: **Andrew Wang**, Anhui (CN)

(72) Inventor: **Andrew Wang**, Anhui (CN)

(73) Assignee: **Tonglu Ido Imp & Exp & Co., Ltd.**,  
Fenshui Town, Tonglu, Hangzhou,  
Zhejiang Province (CN)

(\*\*) Term: **14 Years**

(21) Appl. No.: **29/459,484**

(22) Filed: **Jun. 30, 2013**

(51) **LOC (9) Cl.** ..... **14-02**

(52) **U.S. Cl.**  
USPC ..... **D14/411**

(58) **Field of Classification Search**  
USPC ..... D8/61; D14/411; D19/35, 36, 41-51,  
D19/54-58; 401/55, 99, 100, 104-107, 196,  
401/197, 202, 208, 209, 213, 192, 195,  
401/243; 708/107; 345/179, 173;  
178/19.01; 700/94

See application file for complete search history.

(56) **References Cited**

U.S. PATENT DOCUMENTS

1,974,667	A *	9/1934	Solinger	401/52
D500,799	S *	1/2005	Olson	D10/78
7,001,092	B1 *	2/2006	Varughese	401/88
7,377,709	B2 *	5/2008	Butler	401/195
D614,622	S *	4/2010	Nakata	D14/411
D617,328	S *	6/2010	Nakata	D14/411
D634,747	S *	3/2011	Wong et al.	D14/411
D662,097	S *	6/2012	Lin	D14/411
D675,621	S *	2/2013	Fletcher et al.	D14/411
D679,708	S *	4/2013	Li	D14/411
D684,579	S *	6/2013	Chen	D14/411
2009/0142126	A1 *	6/2009	Dickover et al.	401/131

\* cited by examiner

*Primary Examiner* — Austin Murphy

(74) *Attorney, Agent, or Firm* — Global IP Services; Tianhua Gu

(57) **CLAIM**

The ornamental design for a stylus, as shown and described.

**DESCRIPTION**

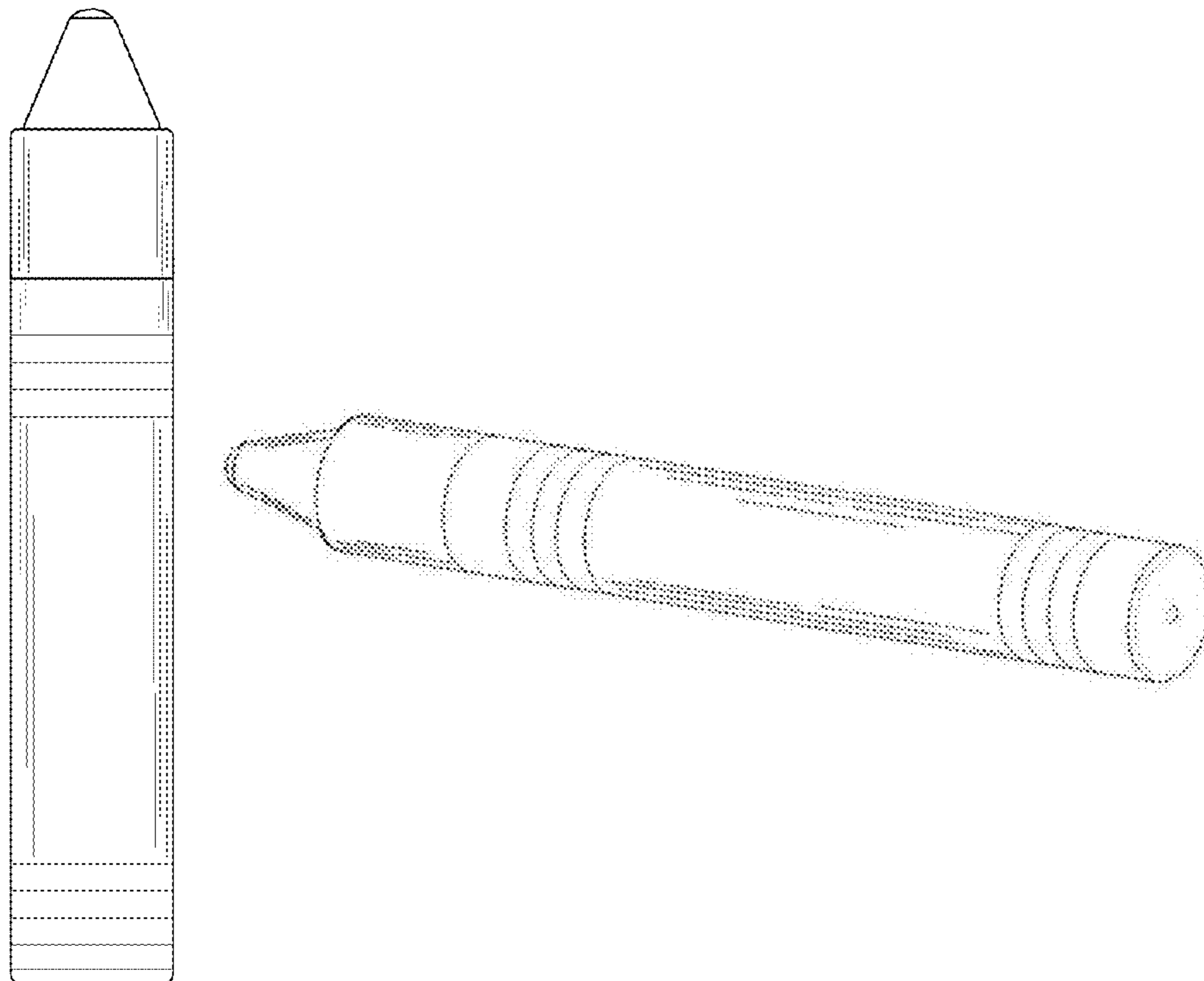
FIG. 1 is a front elevation view of a stylus showing my new design and a mirror view of a left, right or rear elevation view thereof;

FIG. 2 is a bottom plan view thereof;

FIG. 3 is a top plan view thereof; and,

FIG. 4 is an elevation view thereof.

**1 Claim, 2 Drawing Sheets**



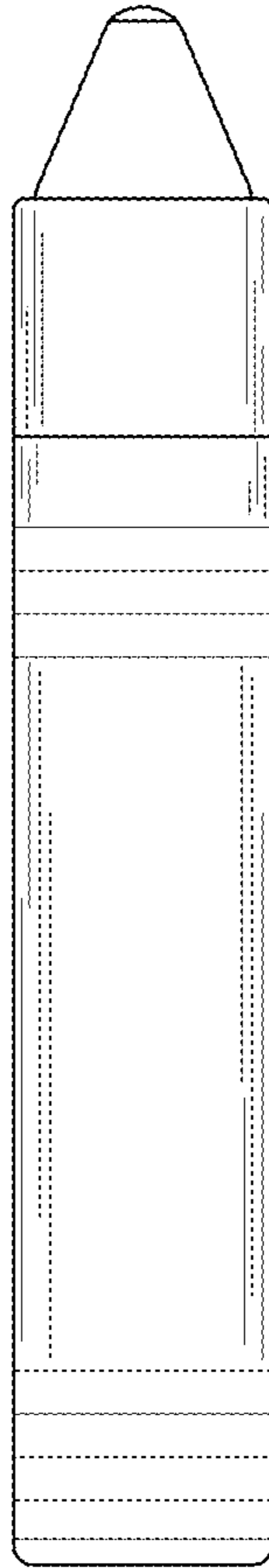


FIG. 1

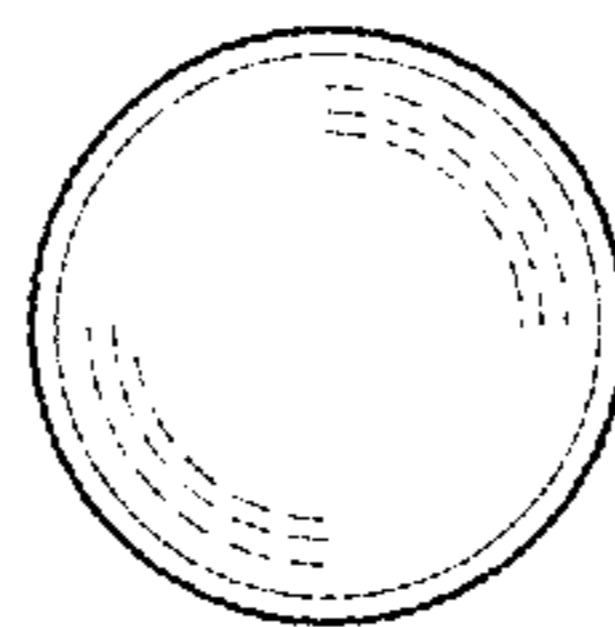


FIG. 2

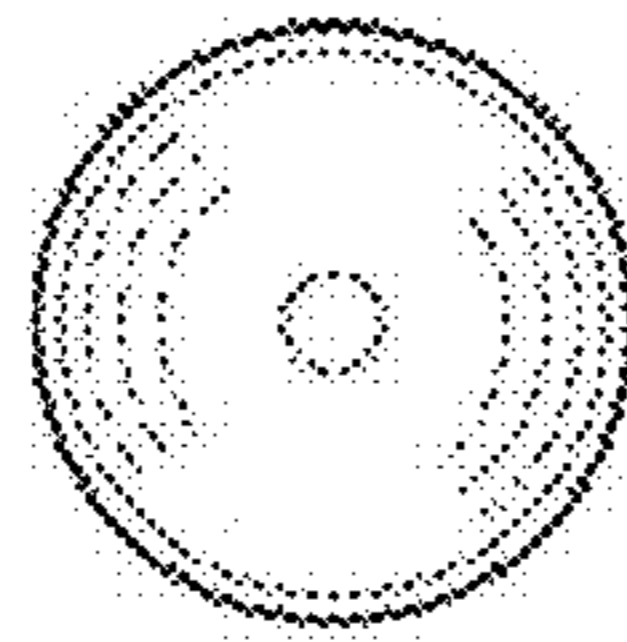


FIG. 3

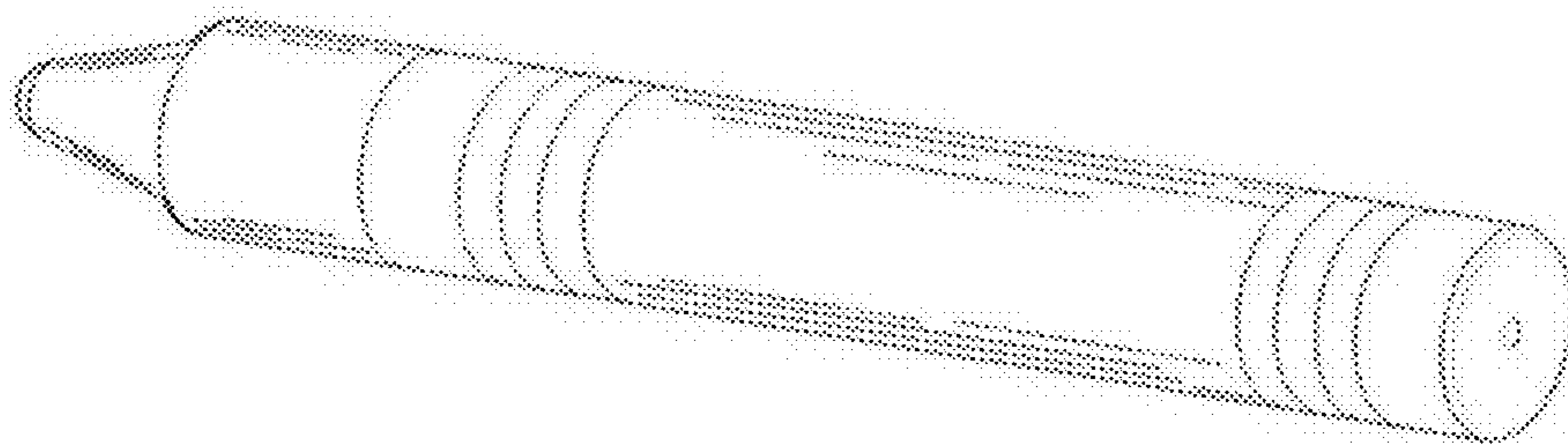


FIG. 4