



US00D695734S

(12) **United States Design Patent**
Nishimura

(10) **Patent No.:** **US D695,734 S**

(45) **Date of Patent:** **** Dec. 17, 2013**

(54) **PORTABLE COMPUTER**

(71) Applicant: **Panasonic Corporation**, Osaka (JP)

(72) Inventor: **Hiroaki Nishimura**, Osaka (JP)

(73) Assignee: **Panasonic Corporation**, Osaka (JP)

(**) Term: **14 Years**

(21) Appl. No.: **29/437,058**

(22) Filed: **Nov. 13, 2012**

(30) **Foreign Application Priority Data**

Jul. 26, 2012 (JP) 2012-017748

(51) **LOC (9) Cl.** **14-02**

(52) **U.S. Cl.**
USPC **D14/318**

(58) **Field of Classification Search**
USPC D14/315-327; D18/1, 2, 7, 11;
235/145 A, 145 R; 341/22, 23; 345/104,
345/156, 168, 169, 173; 361/679.08,
361/679.09, 679.11, 679.26, 679.27
See application file for complete search history.

(56) **References Cited**

U.S. PATENT DOCUMENTS

6,067,224	A *	5/2000	Nobuchi	361/679.27
D452,861	S *	1/2002	Ogasawara	D14/322
D490,418	S *	5/2004	Liao	D14/318
D494,189	S *	8/2004	Ko et al.	D14/501
D578,523	S *	10/2008	Yoon	D14/319
D613,297	S *	4/2010	Wang et al.	D14/455
D633,490	S *	3/2011	Kim et al.	D14/315
7,916,889	B2 *	3/2011	Takakusaki	381/388
D638,011	S *	5/2011	Kuo et al.	D14/315
2005/0041378	A1 *	2/2005	Hamada et al.	361/680

FOREIGN PATENT DOCUMENTS

JP D1259272 12/2005

* cited by examiner

Primary Examiner — Freda S Nunn

(74) *Attorney, Agent, or Firm* — Panasonic Patent Center

(57) **CLAIM**

I claim the ornamental design for a portable computer, as shown and described.

DESCRIPTION

FIG. 1 is a perspective view of a portable computer of the present invention;
 FIG. 2 is a front view thereof;
 FIG. 3 is a rear view thereof;
 FIG. 4 is a first side view thereof;
 FIG. 5 is a second side view thereof;
 FIG. 6 is a top view thereof;
 FIG. 7 is a bottom view thereof;
 FIG. 8 is a perspective view thereof shown in the opened position;
 FIG. 9 is a front view thereof shown in the opened position;
 FIG. 10 is a rear view thereof shown in the opened position;
 FIG. 11 is a first side view thereof shown in the opened position;
 FIG. 12 is a second side view thereof shown in the opened position;
 FIG. 13 is a top view thereof shown in the opened position;
 and,
 FIG. 14 is a bottom view thereof shown in the opened position.

The broken line showing of portable computer is included for the purpose of illustrating environment and forms no part of the claimed design.

1 Claim, 14 Drawing Sheets

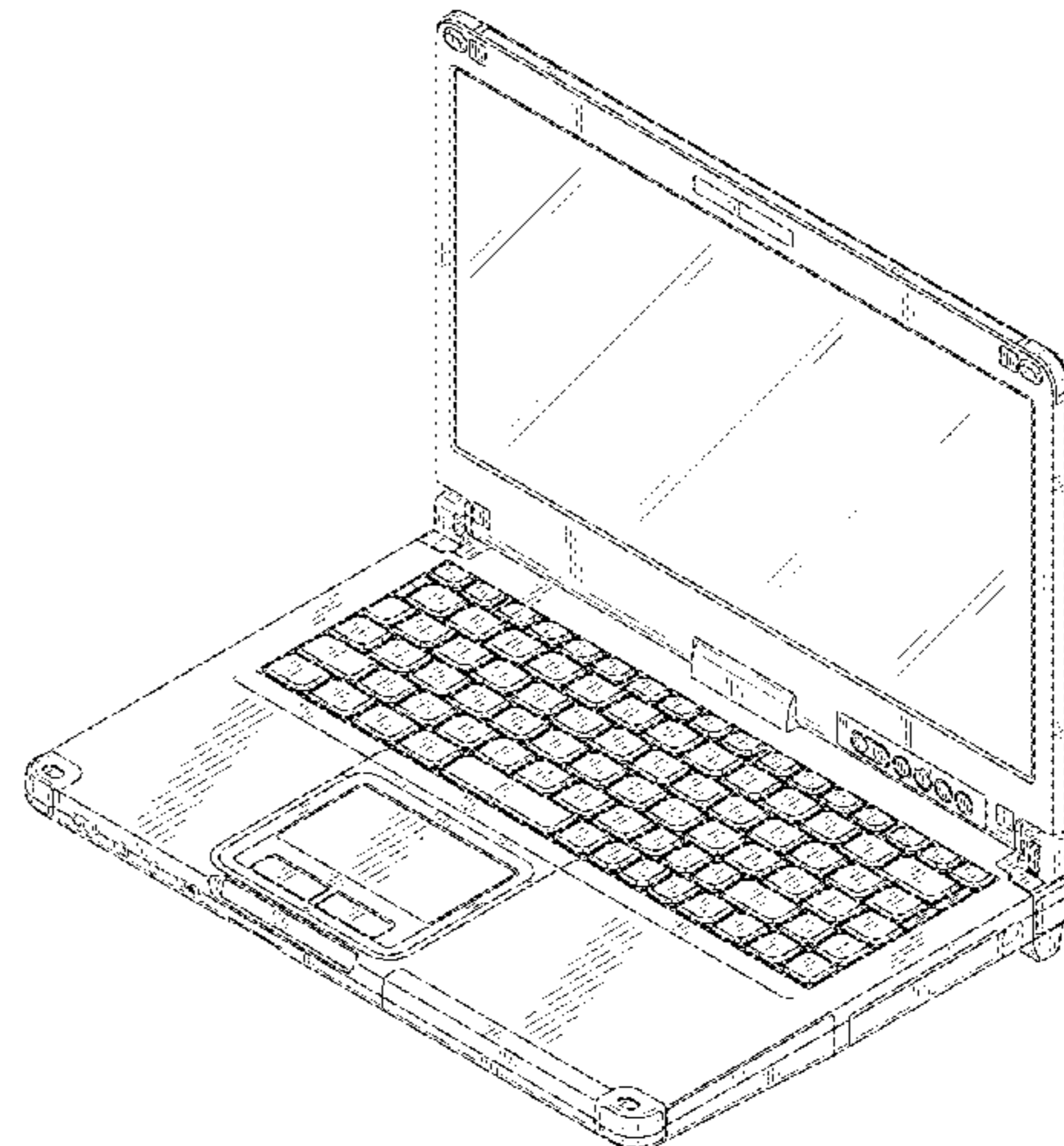
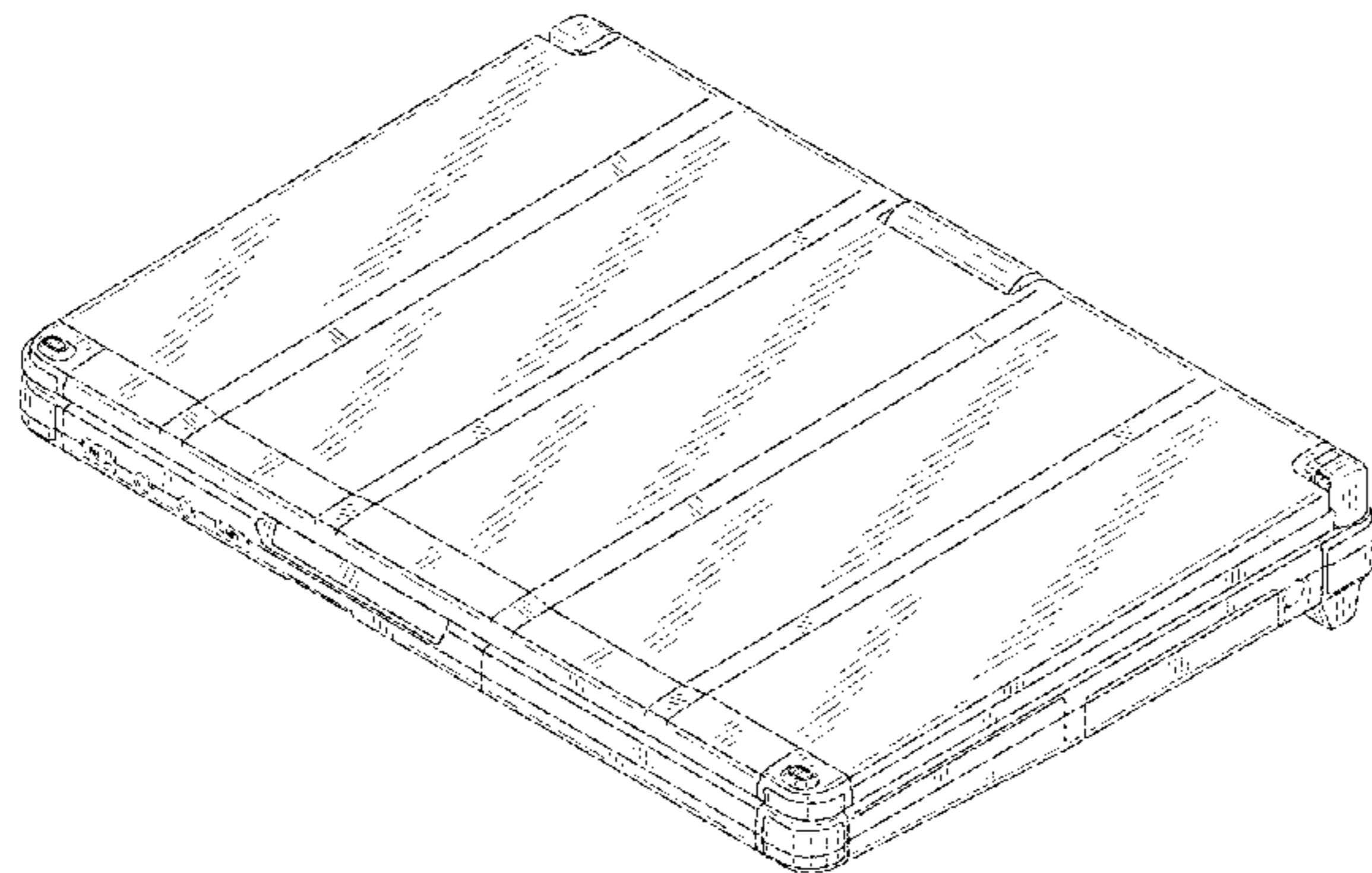


FIG. 1

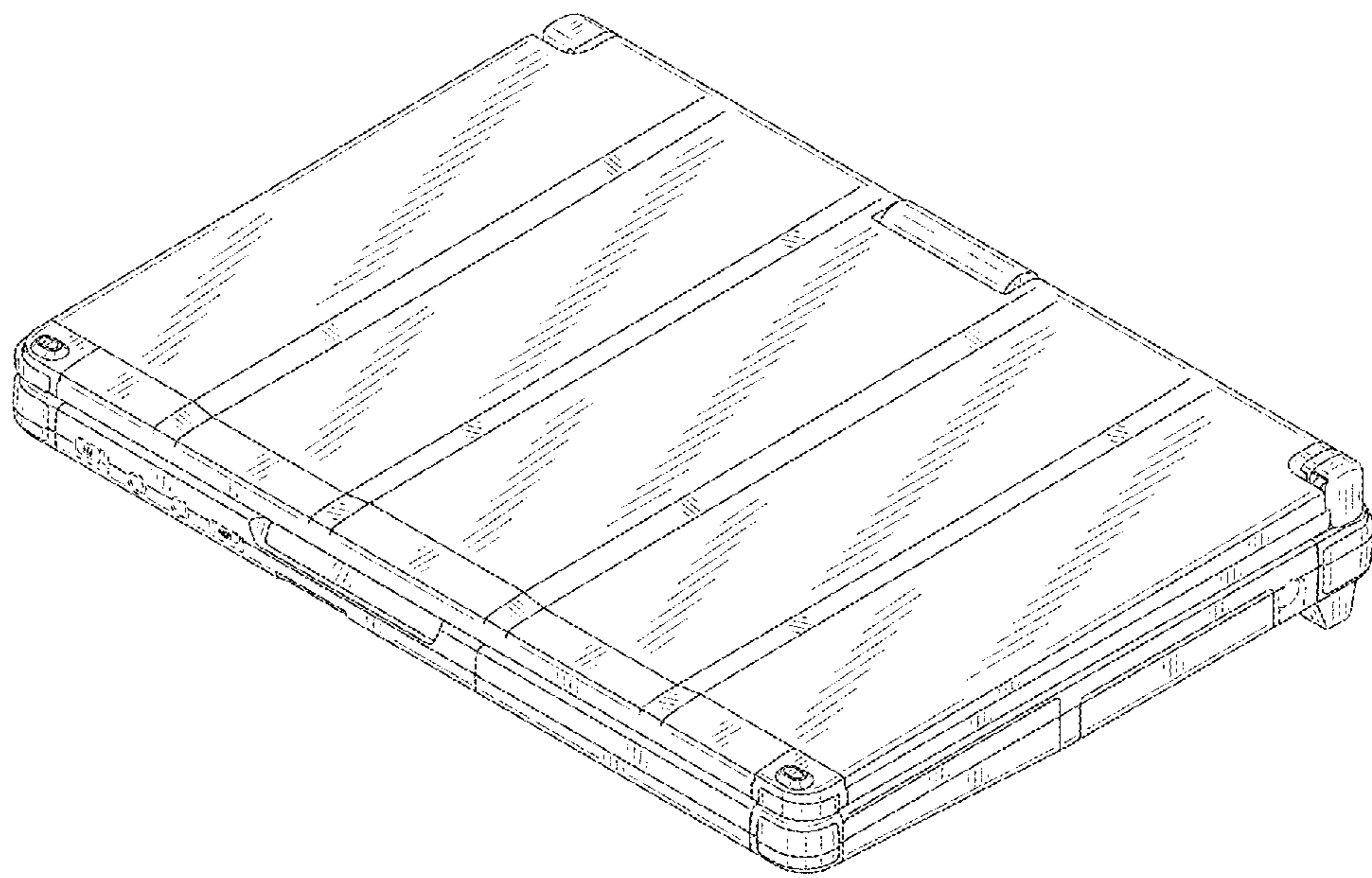


FIG. 2

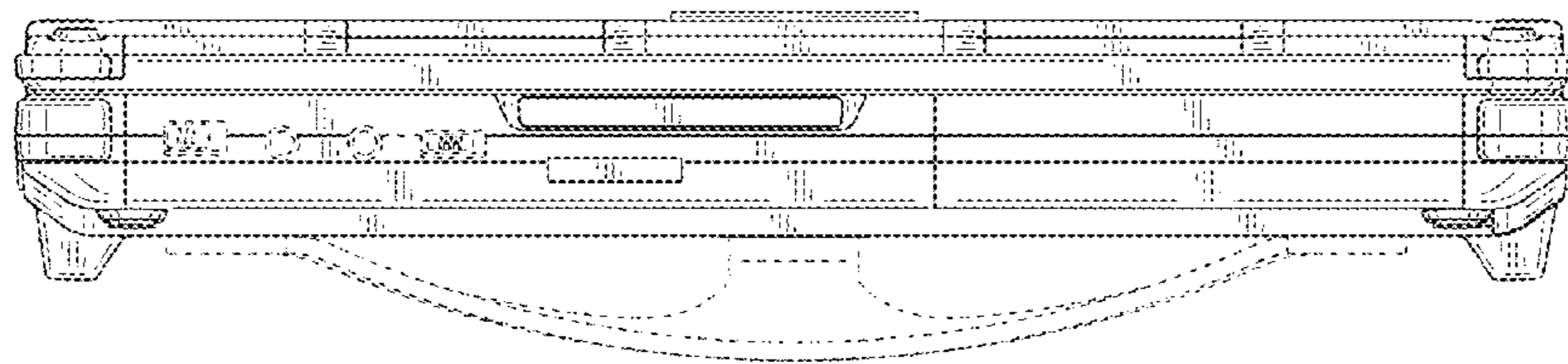


FIG. 3

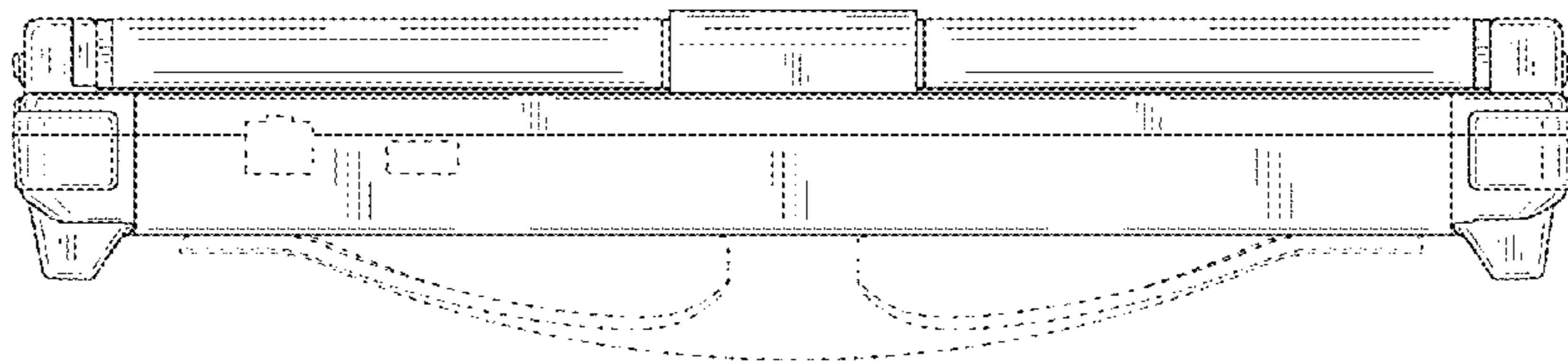


FIG. 4

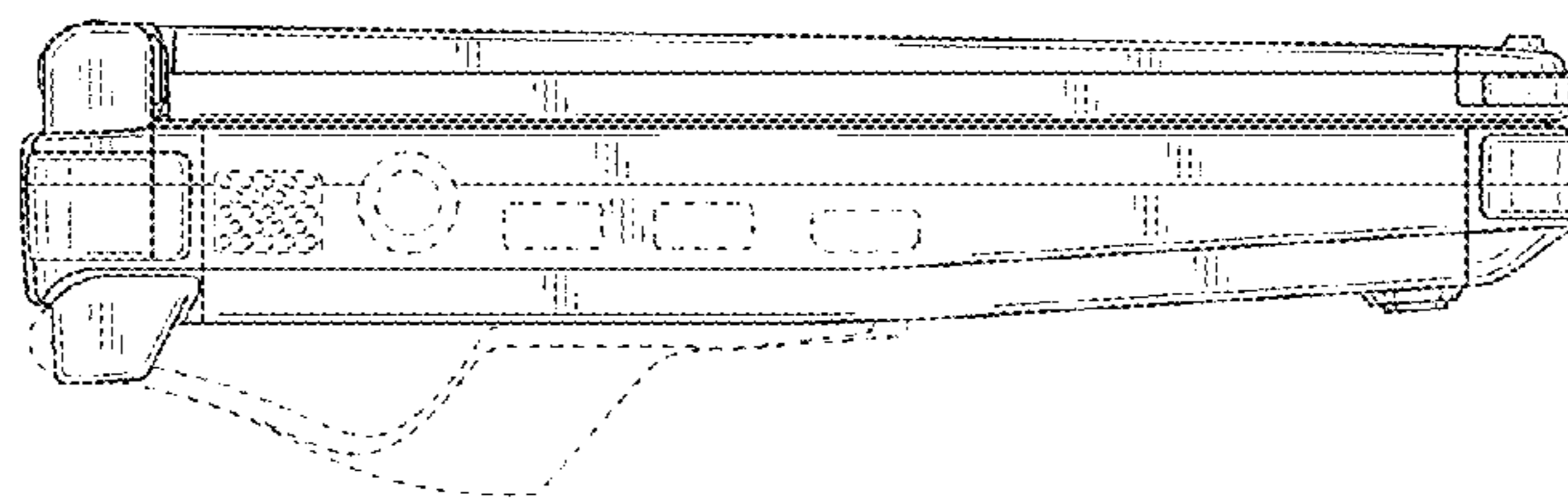


FIG. 5

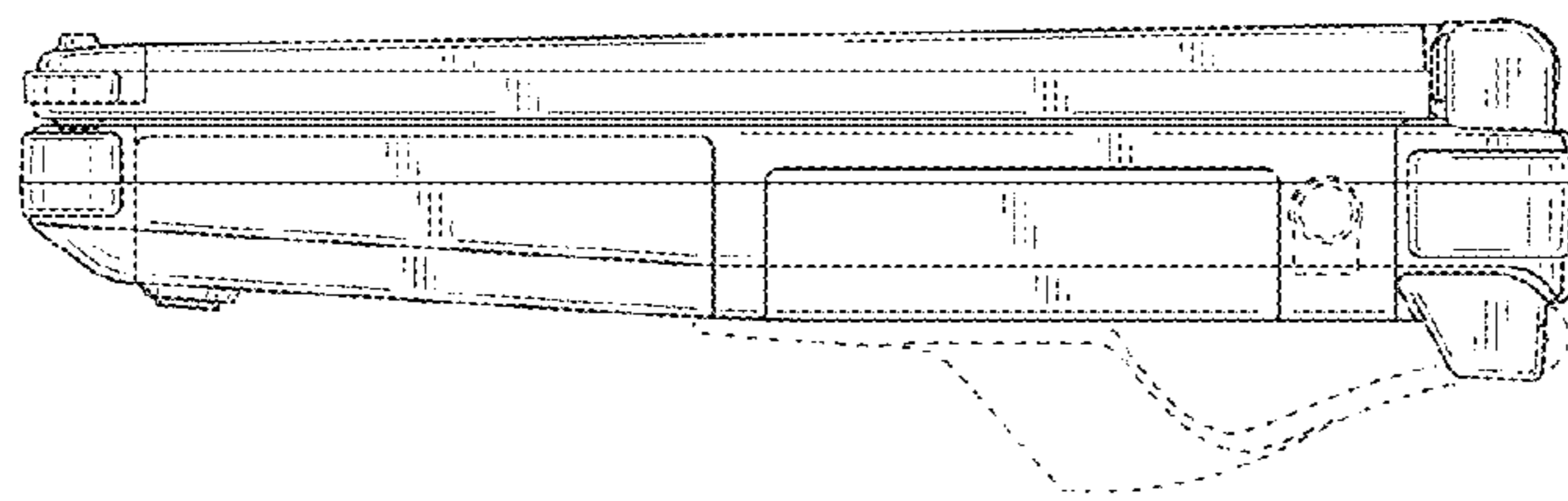


FIG. 6

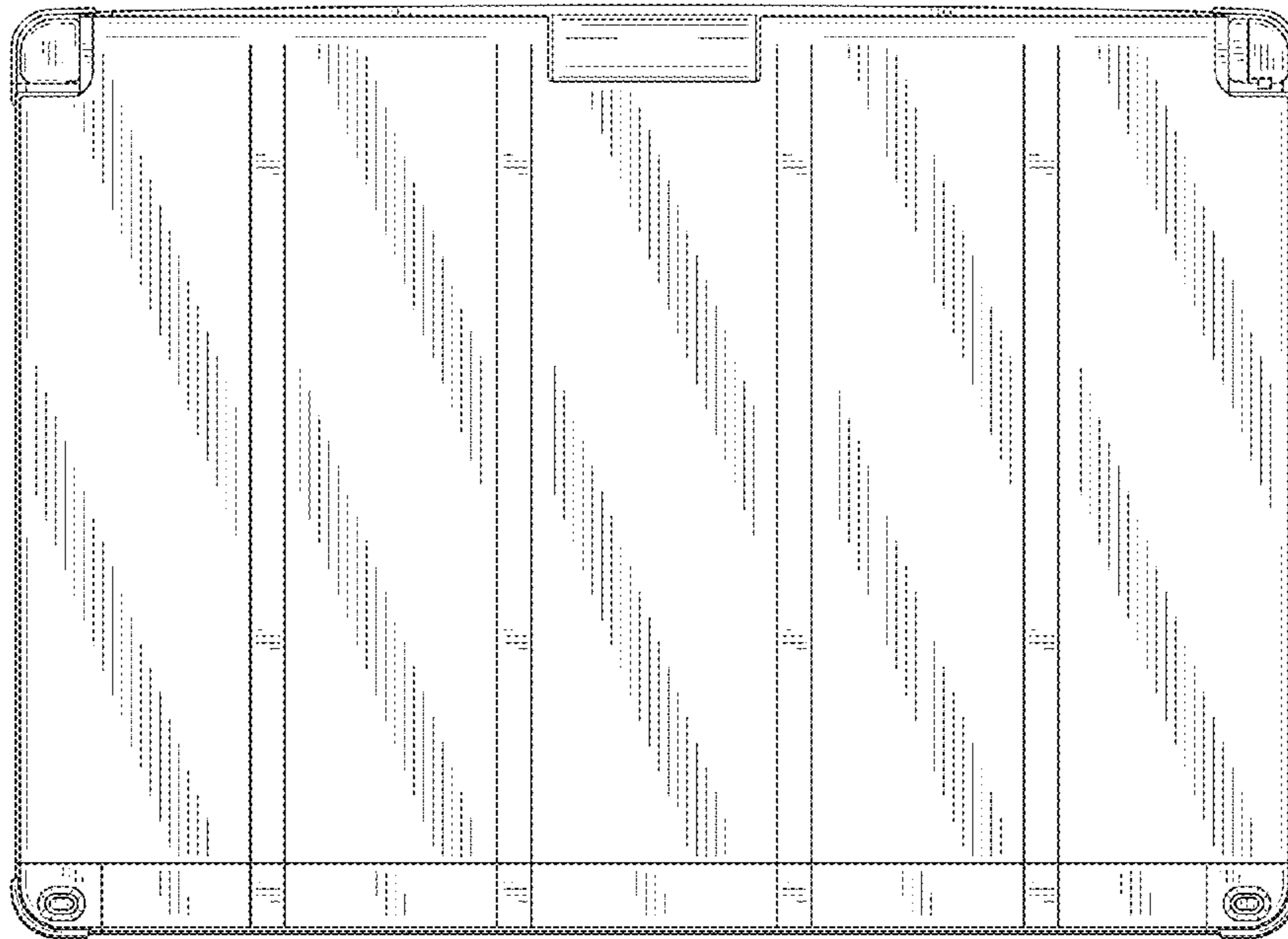


FIG. 7

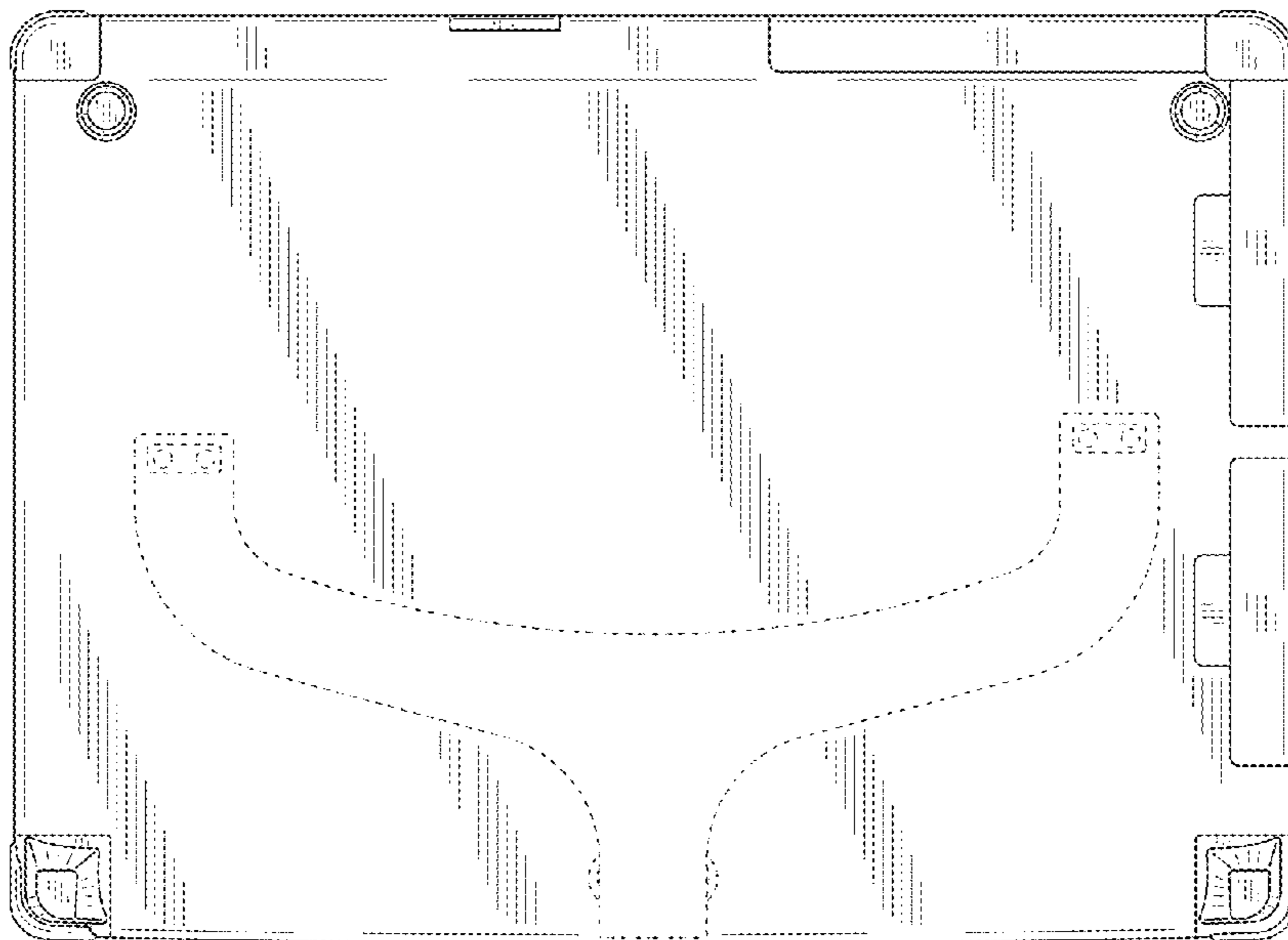


FIG. 8

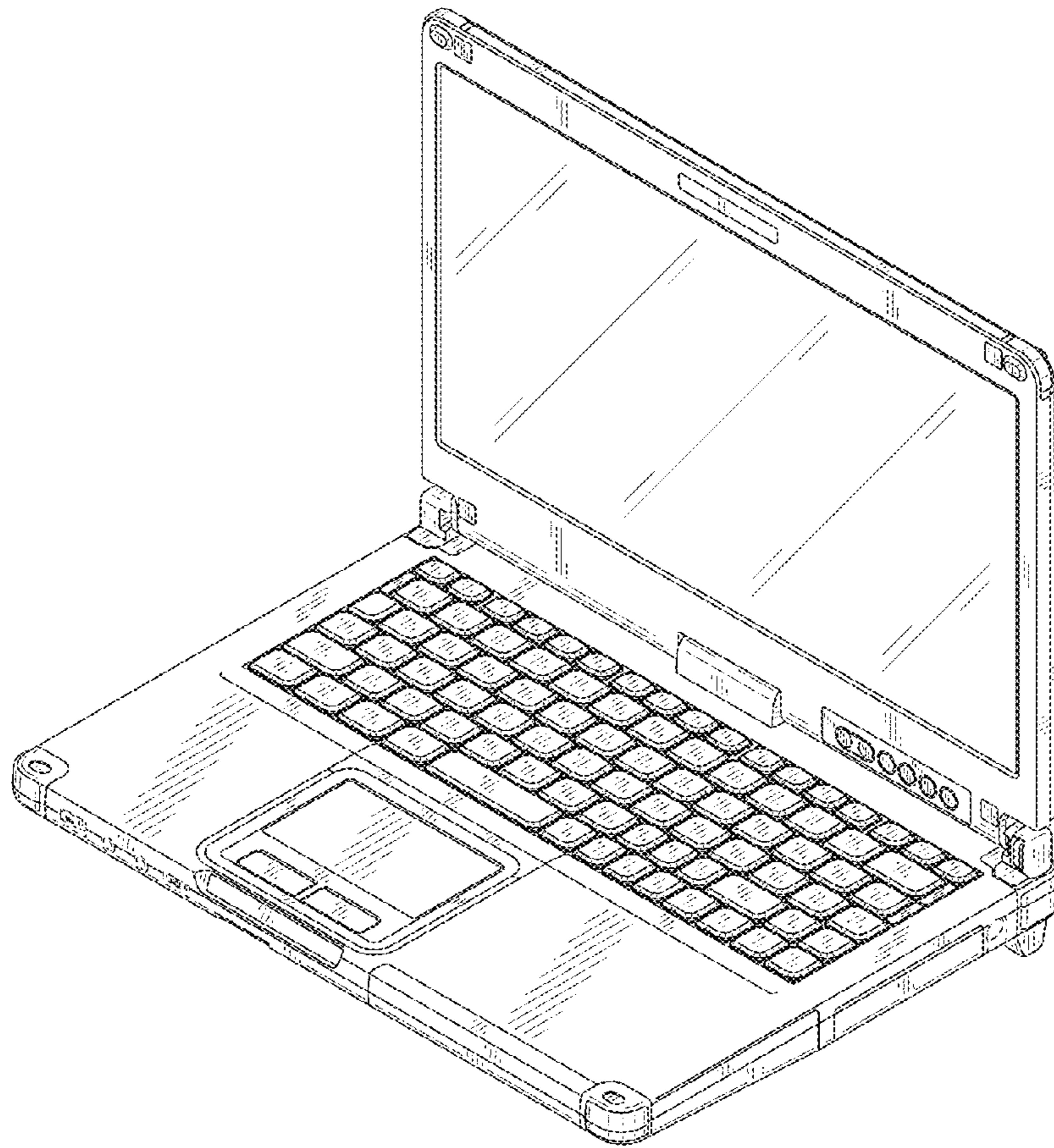


FIG. 9

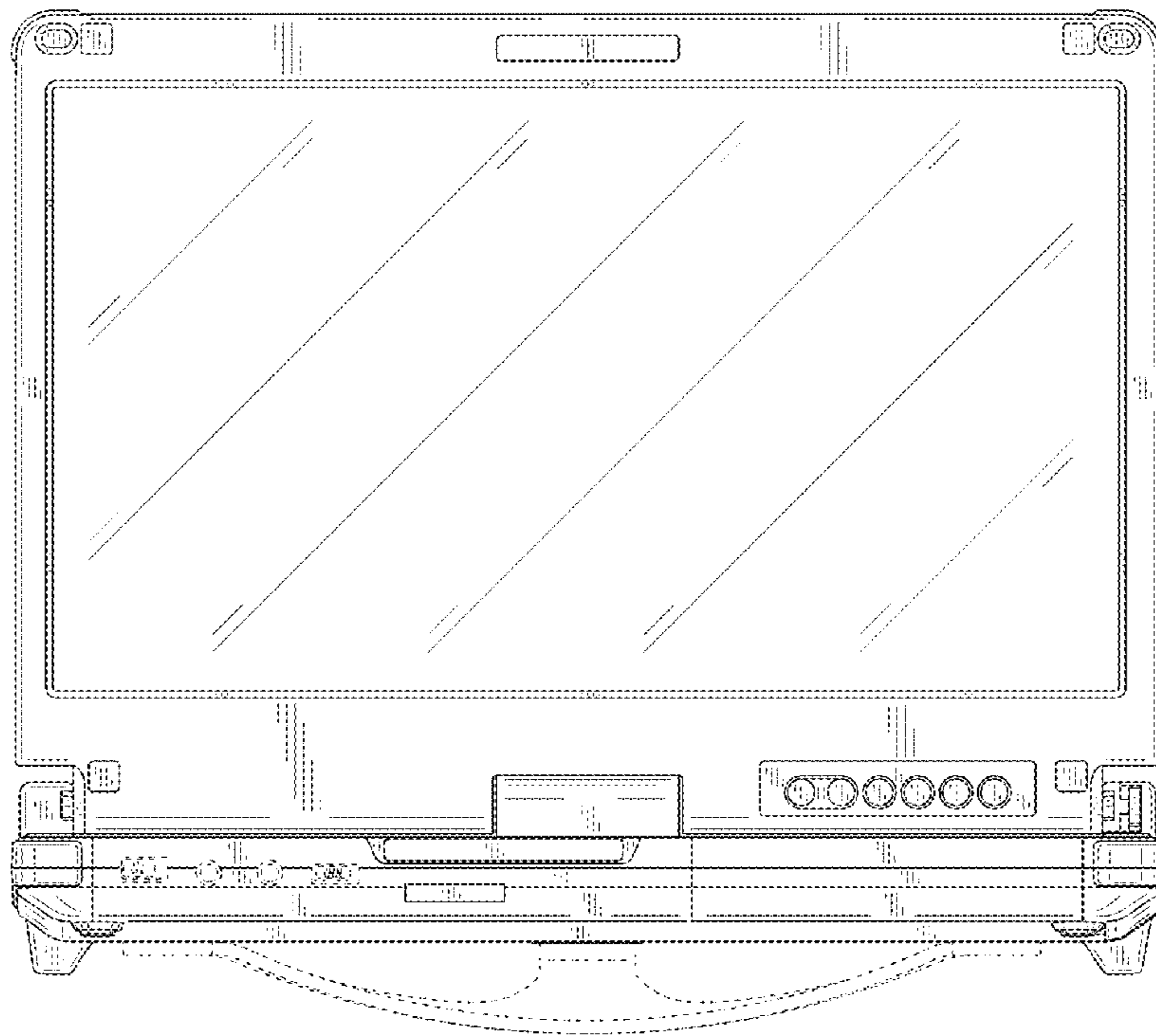


FIG. 10

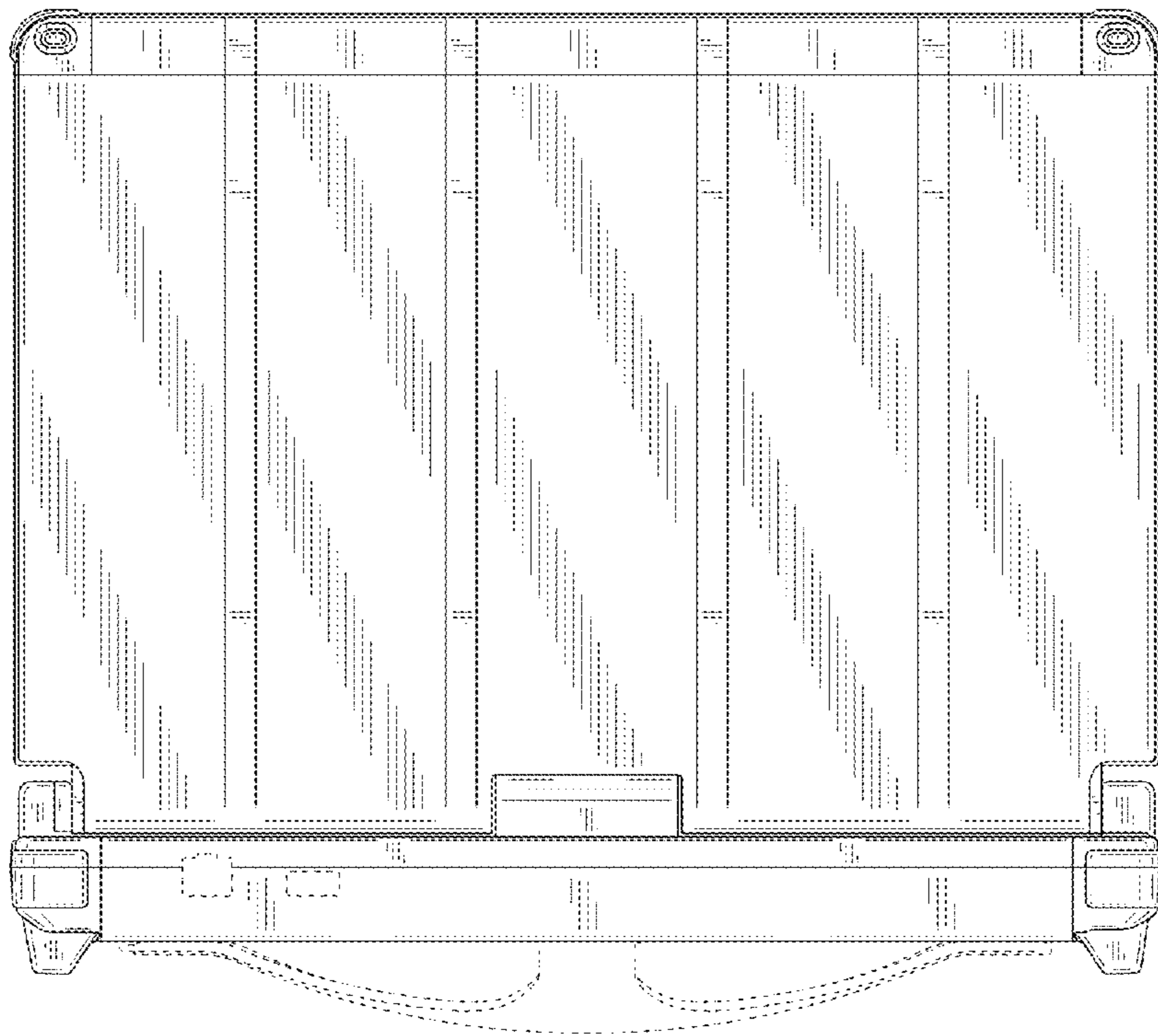


FIG. 11

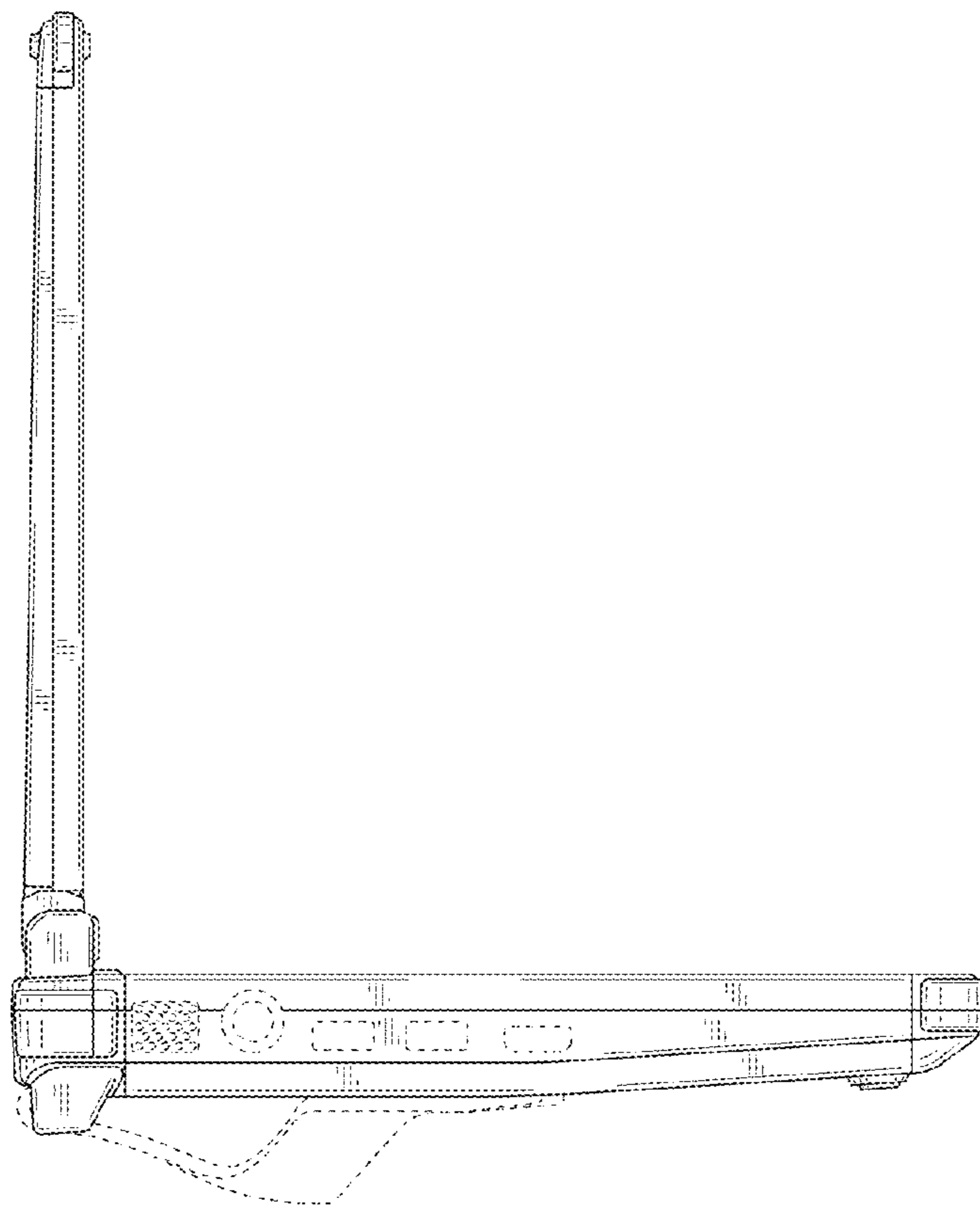


FIG. 12

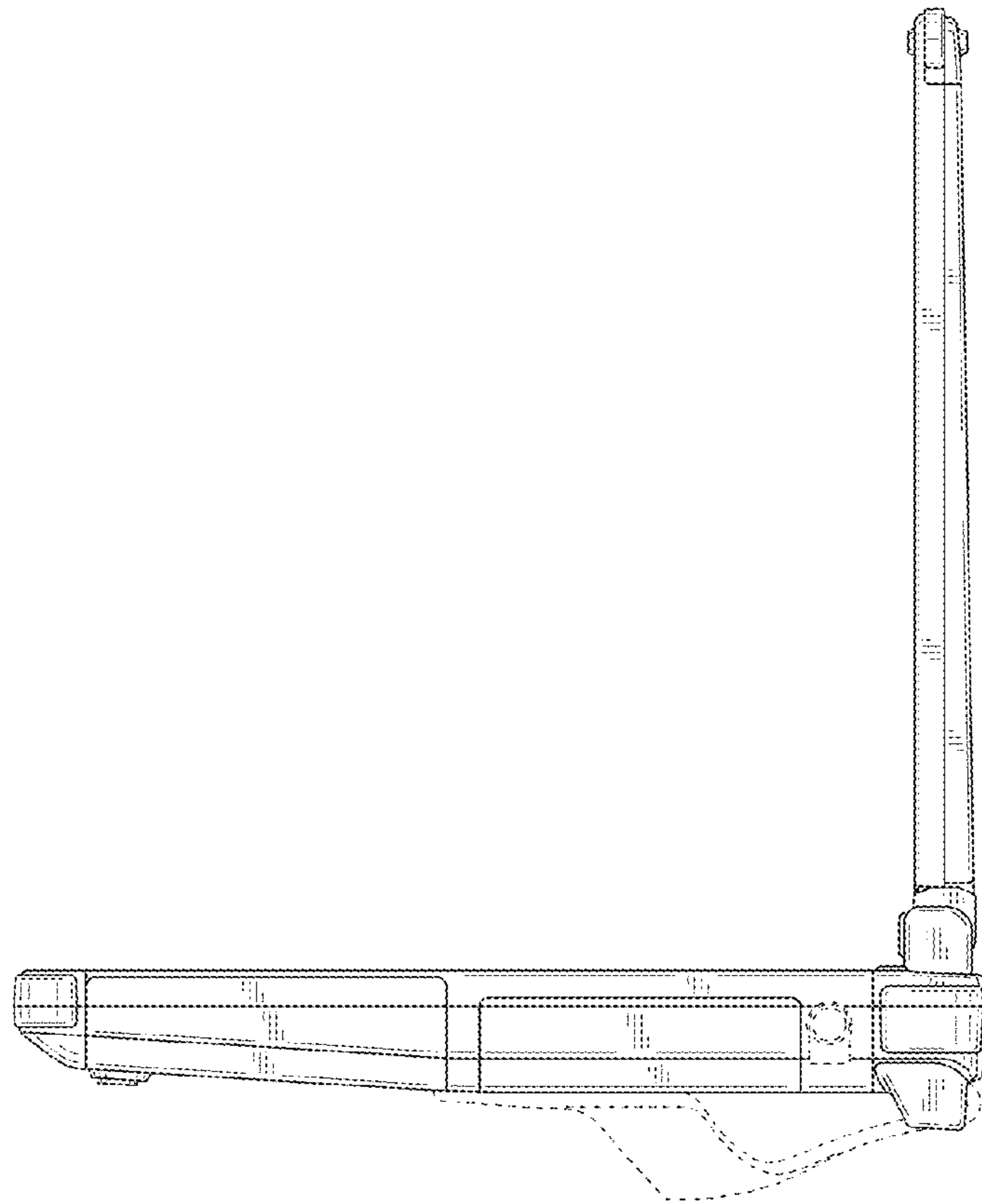


FIG. 13

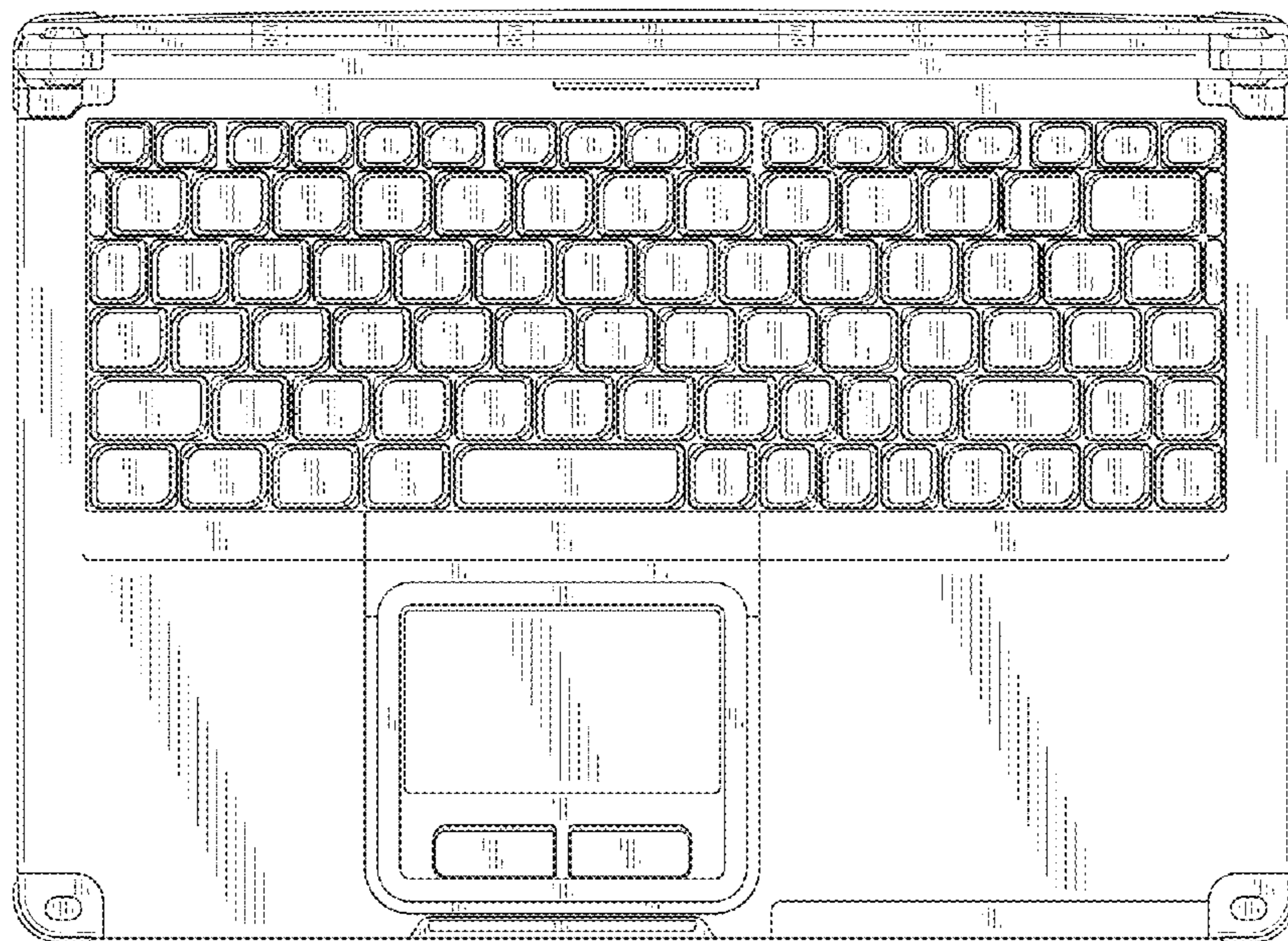


FIG. 14

