



US00D695733S

(12) **United States Design Patent**
Damhuis

(10) **Patent No.:** **US D695,733 S**

(45) **Date of Patent:** **** Dec. 17, 2013**

(54) **KIOSK**

(75) Inventor: **William J. Damhuis**, Palm Beach Gardens, FL (US)

(73) Assignee: **Konnected LLC**, Palm Beach Gardens, FL (US)

(**) Term: **14 Years**

(21) Appl. No.: **29/409,171**

(22) Filed: **Dec. 21, 2011**

(51) **LOC (9) Cl.** **14-02**

(52) **U.S. Cl.**
USPC **D14/307**

(58) **Field of Classification Search**
USPC D14/302-307, 900-902; D13/163;
D20/10; D21/332, 325, 369, 370;
D99/28; D6/397, 466; 194/206;
361/679.01, 679.02, 679.04, 679.21,
361/679.57, 725

See application file for complete search history.

(56) **References Cited**

U.S. PATENT DOCUMENTS

D384,832 S *	10/1997	Senturia et al.	D6/397
D465,895 S *	11/2002	Pfefferle et al.	D34/19
D516,064 S *	2/2006	Becker et al.	D14/307
D526,647 S *	8/2006	Thornton	D14/307
D527,729 S *	9/2006	Thornton	D14/307
D532,417 S *	11/2006	Becker et al.	D14/307
D533,176 S *	12/2006	Becker et al.	D14/307
D565,044 S *	3/2008	Witts et al.	D14/307
D573,986 S *	7/2008	Sasaki et al.	D14/307
D590,387 S *	4/2009	Chen	D14/307

D602,932 S *	10/2009	Sasaki et al.	D14/307
D625,592 S *	10/2010	Healy	D8/401
D671,595 S *	11/2012	O'Hara	D19/52

* cited by examiner

Primary Examiner — Austin Murphy

(74) *Attorney, Agent, or Firm* — Gardner, Linn, Burkhardt & Flory, LLP

(57) **CLAIM**

The ornamental design for the kiosk, as shown and described.

DESCRIPTION

FIG. 1 is a front right side perspective view of a first embodiment of the kiosk showing our new design;

FIG. 2 is a rear left side perspective view of the kiosk of FIG. 1;

FIG. 3 is a front elevation view of the kiosk of FIG. 1;

FIG. 4 is a rear elevation view of the kiosk of FIG. 1;

FIG. 5 is a right side elevation view of the kiosk of FIG. 1, the left side elevation view of the kiosk being a mirror image of the right side elevation view;

FIG. 6 is a top plan view of the kiosk of FIG. 1;

FIG. 7 is a front right side perspective view of a second embodiment of the kiosk showing our new design;

FIG. 8 is a rear left side perspective view of the kiosk of FIG. 7;

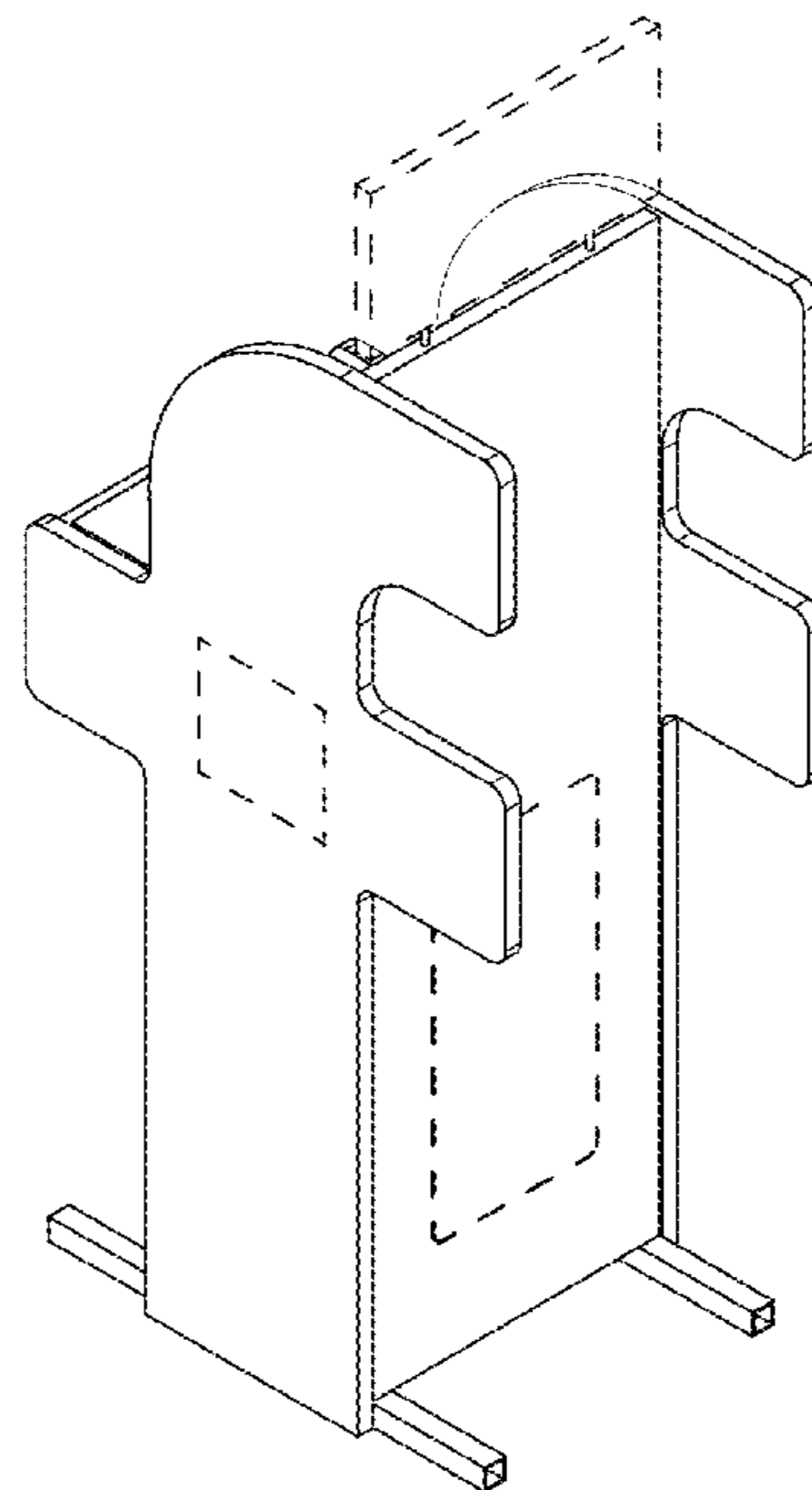
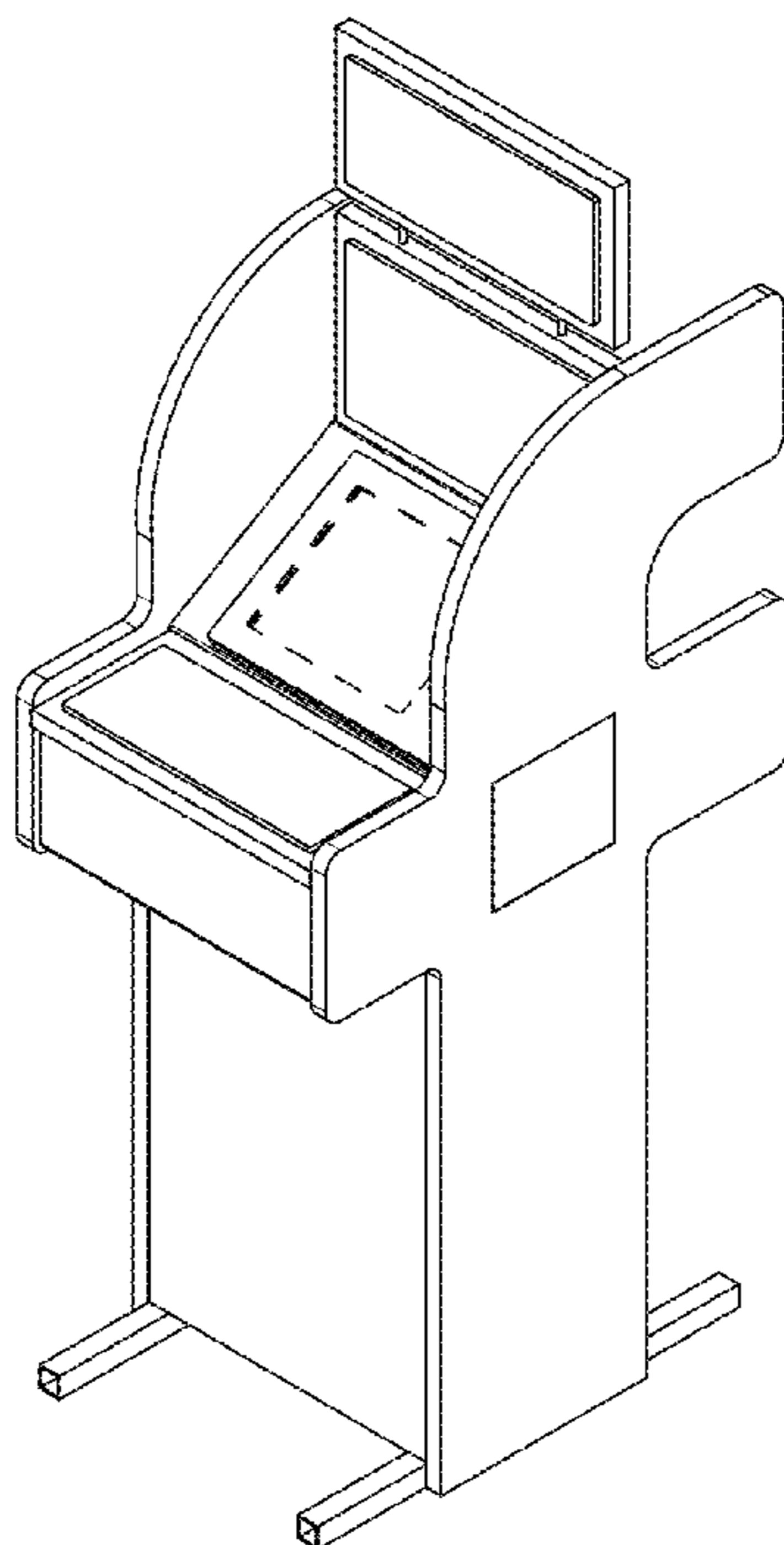
FIG. 9 is a front elevation view of the kiosk of FIG. 7;

FIG. 10 is a right side elevation view of the kiosk of FIG. 7, the left side elevation view of the kiosk being a mirror image of the right side elevation view; and,

FIG. 11 is a rear elevation view of the kiosk of FIG. 7.

The broken lines are for illustrative purposes only and form no part of the claimed design.

1 Claim, 5 Drawing Sheets



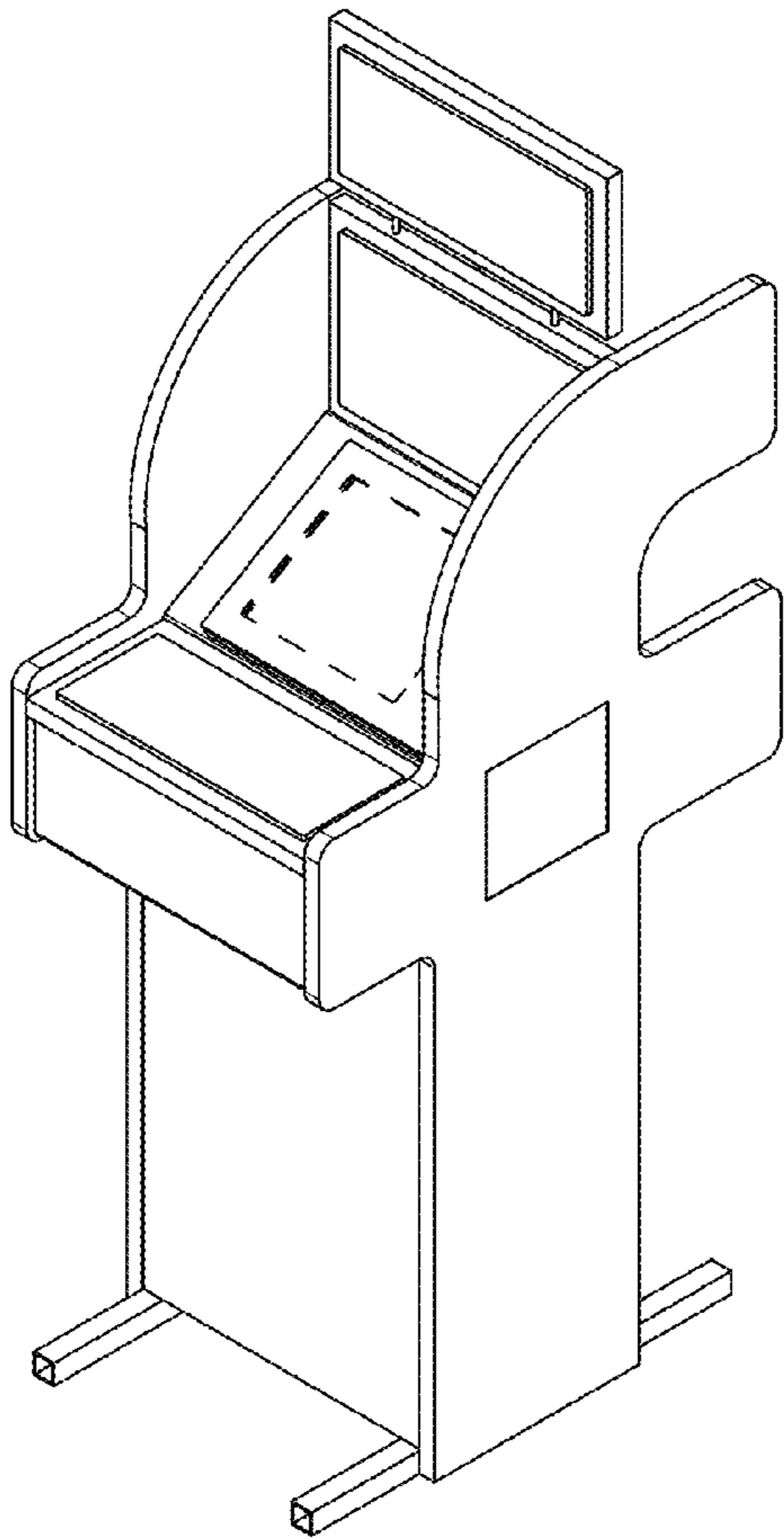


FIG. 1

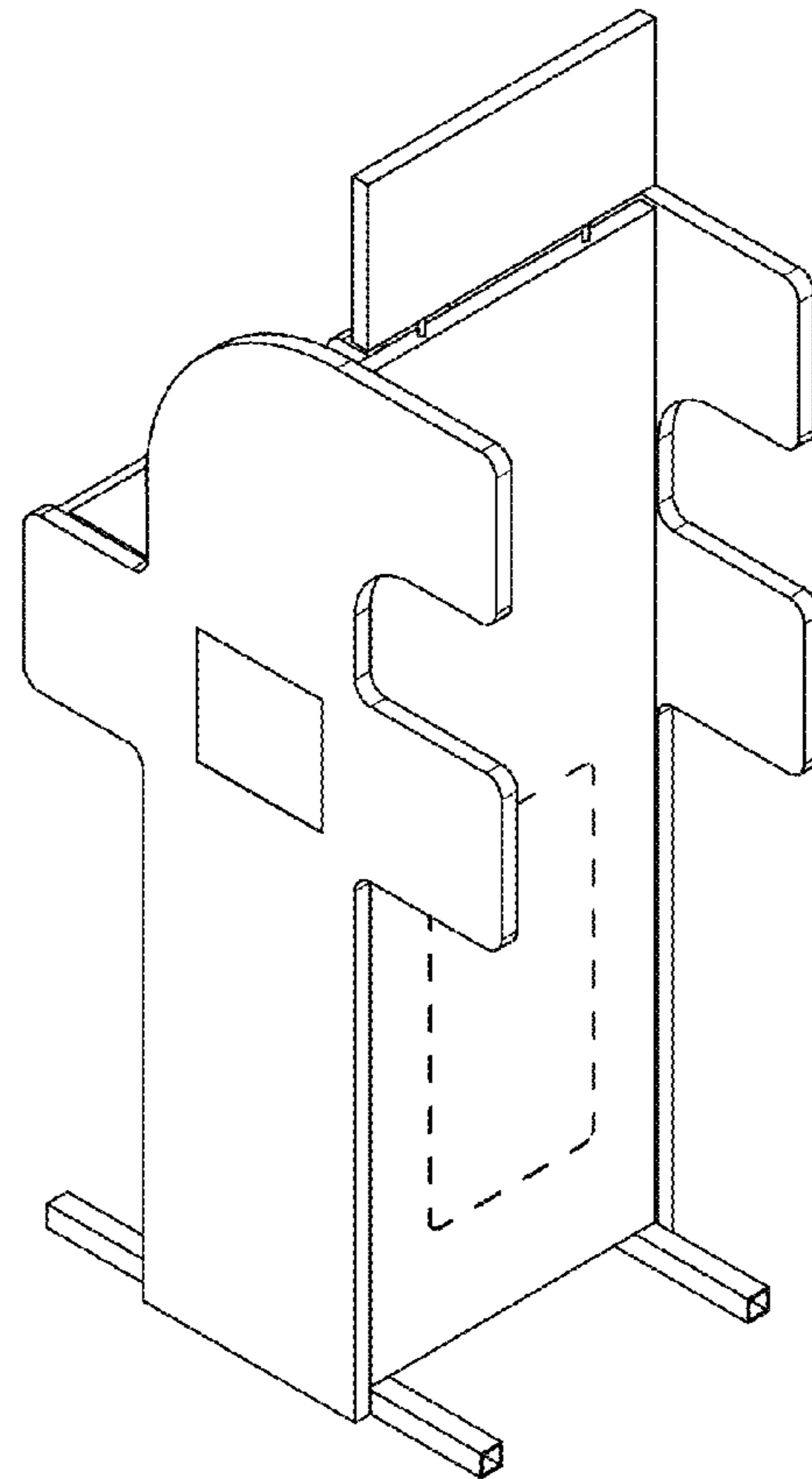


FIG. 2

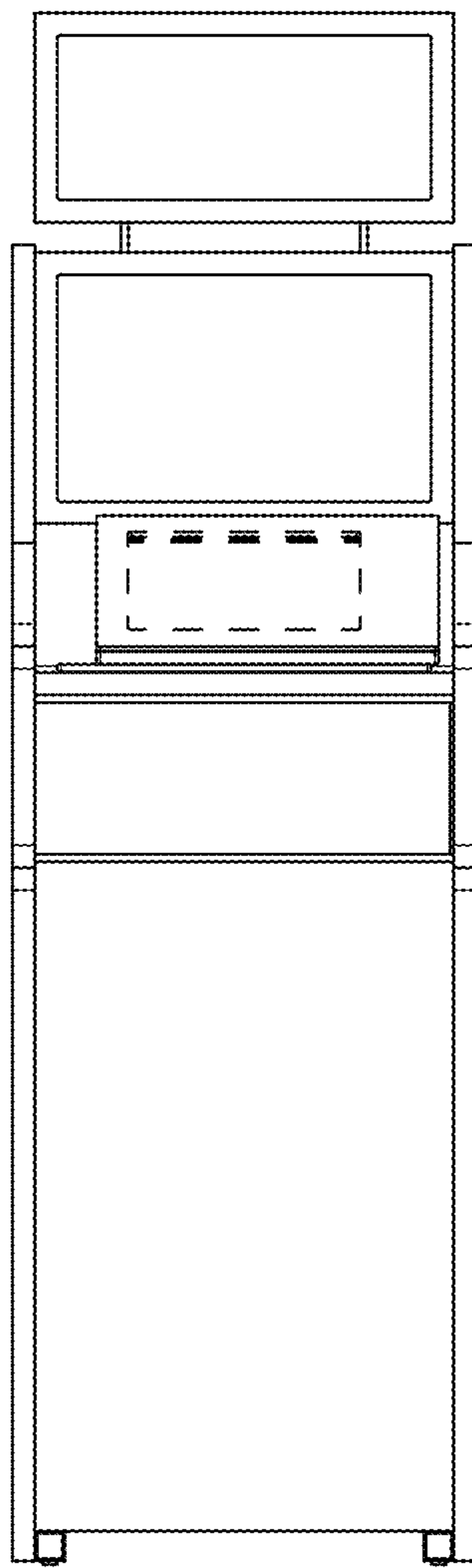


FIG. 3

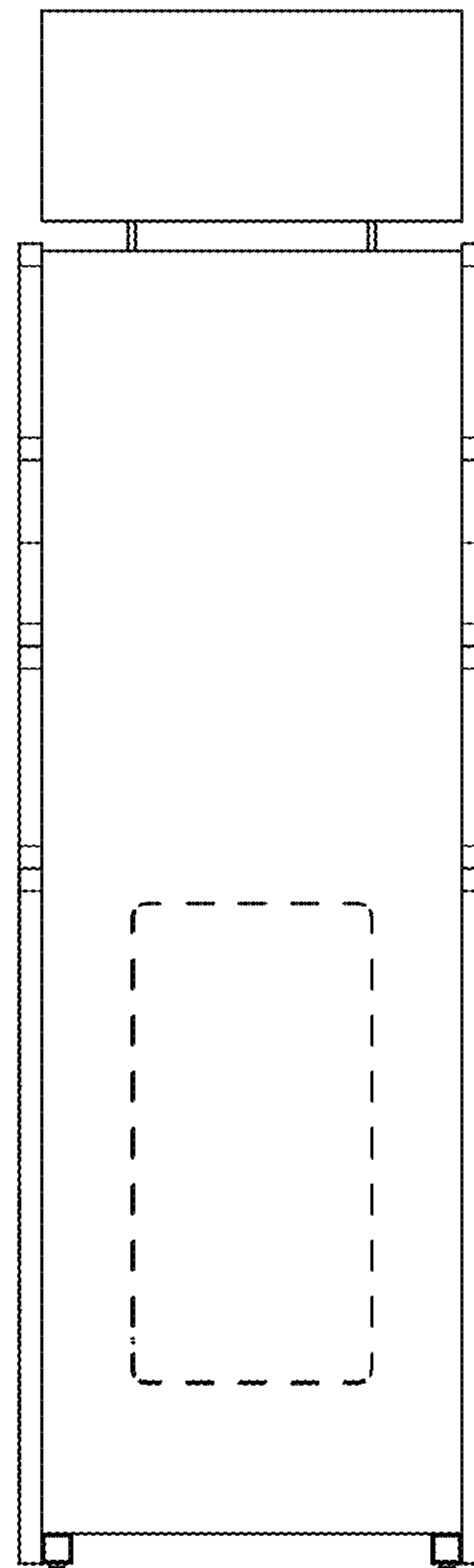


FIG. 4

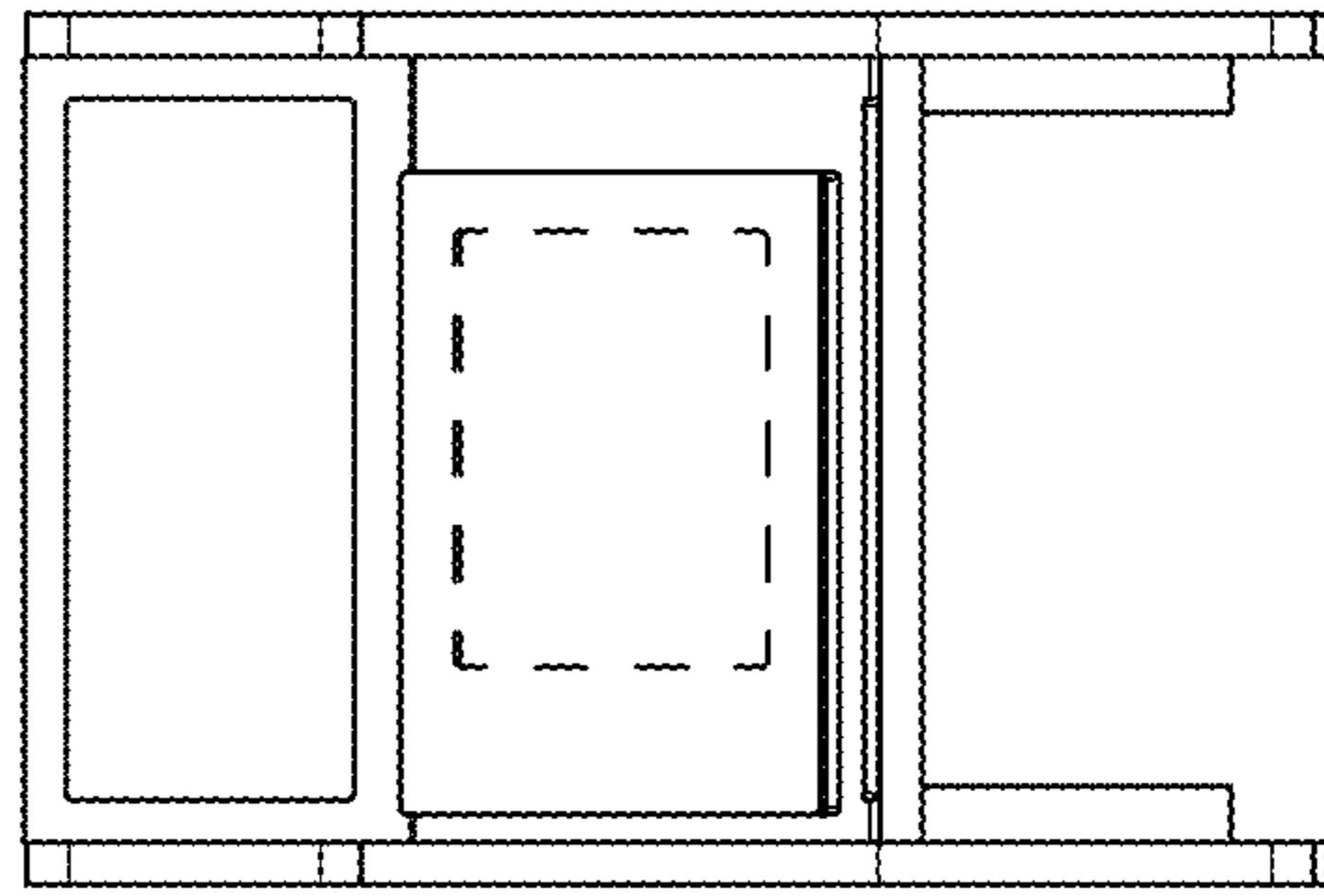


FIG. 6

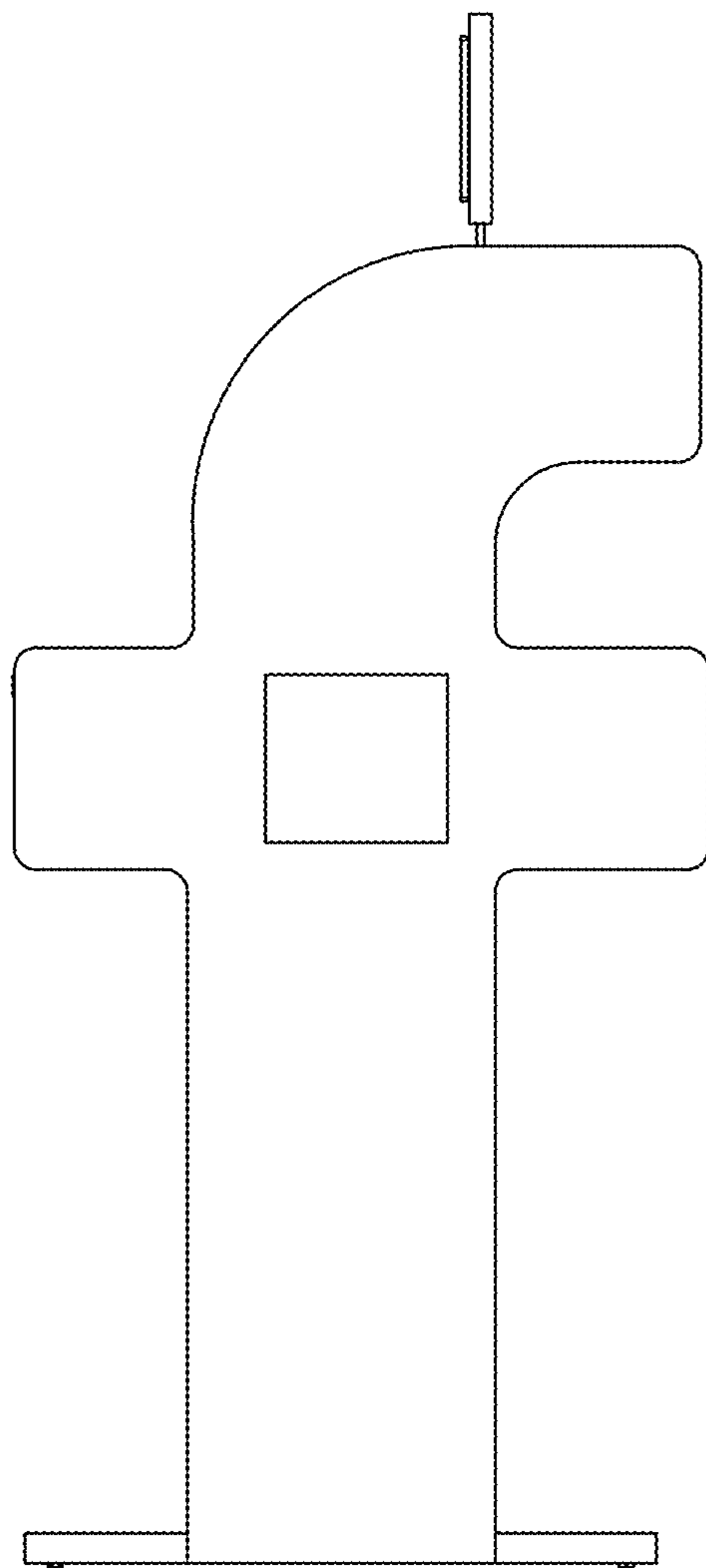


FIG. 5

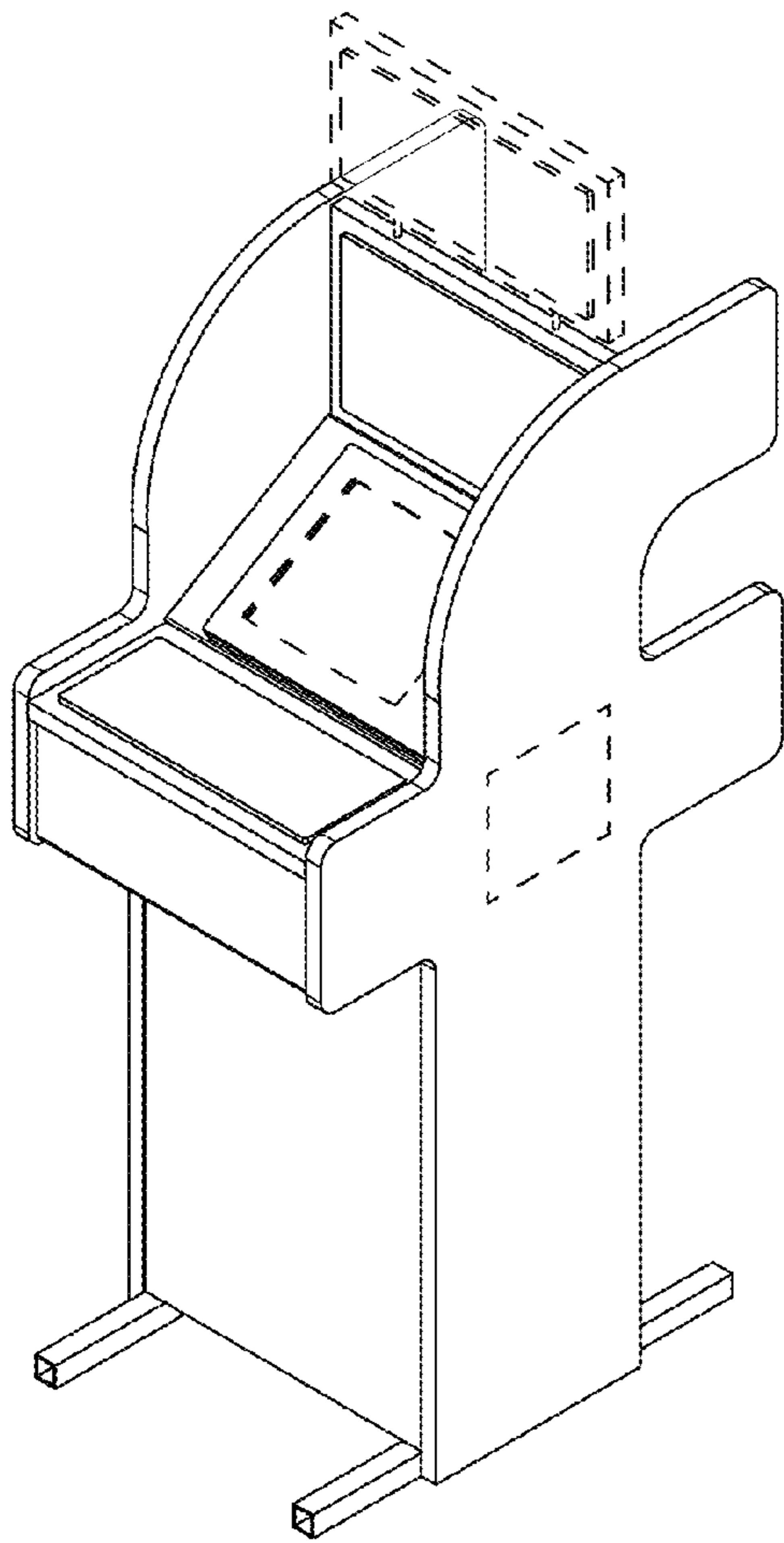


FIG. 7

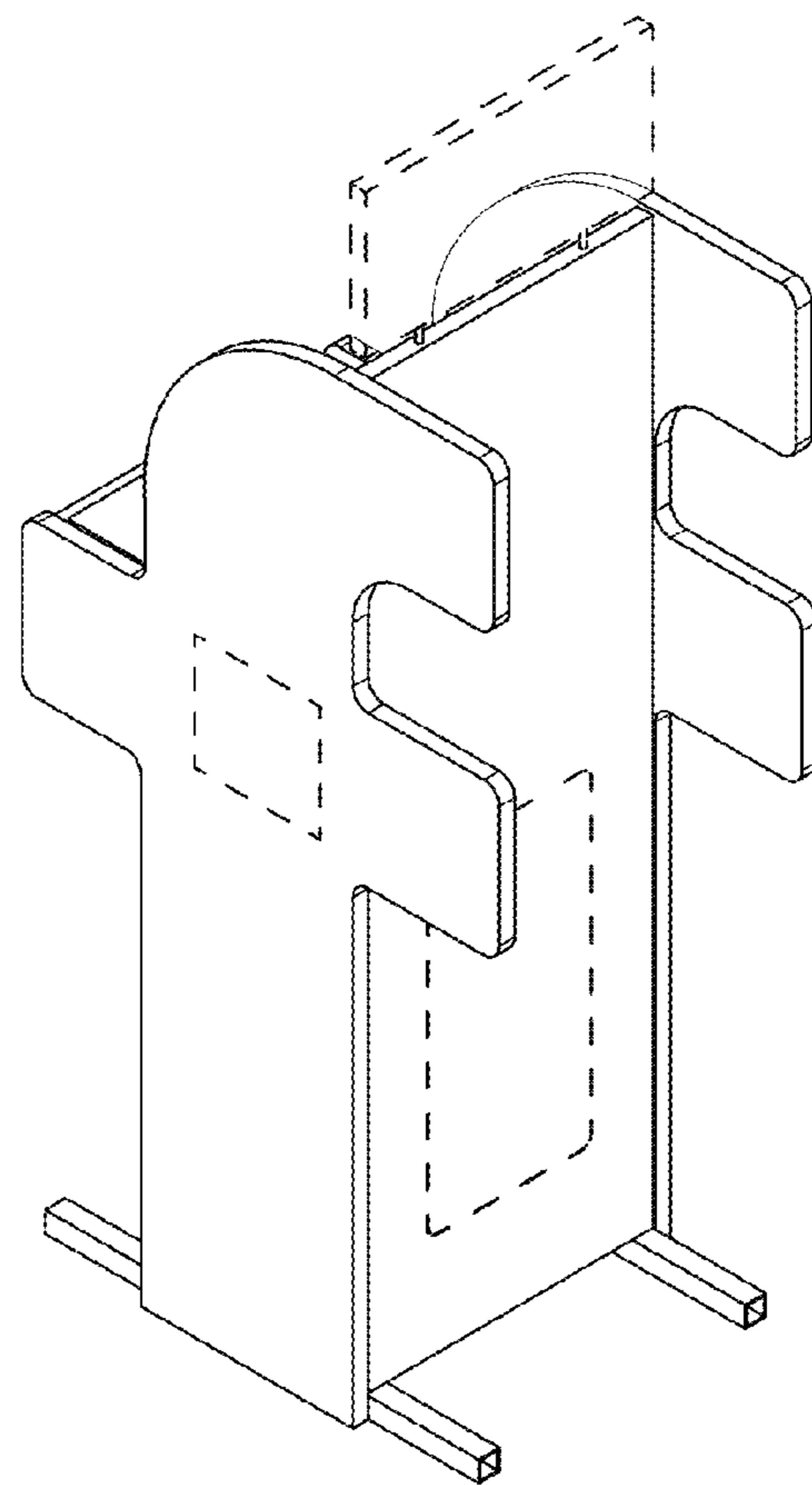


FIG. 8

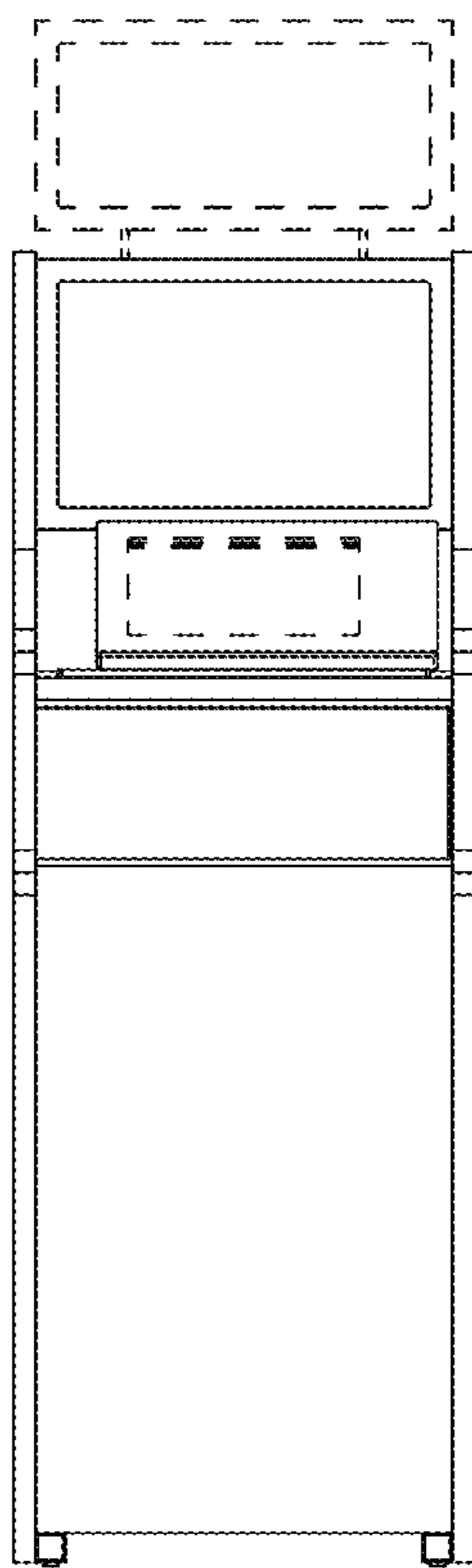


FIG. 9

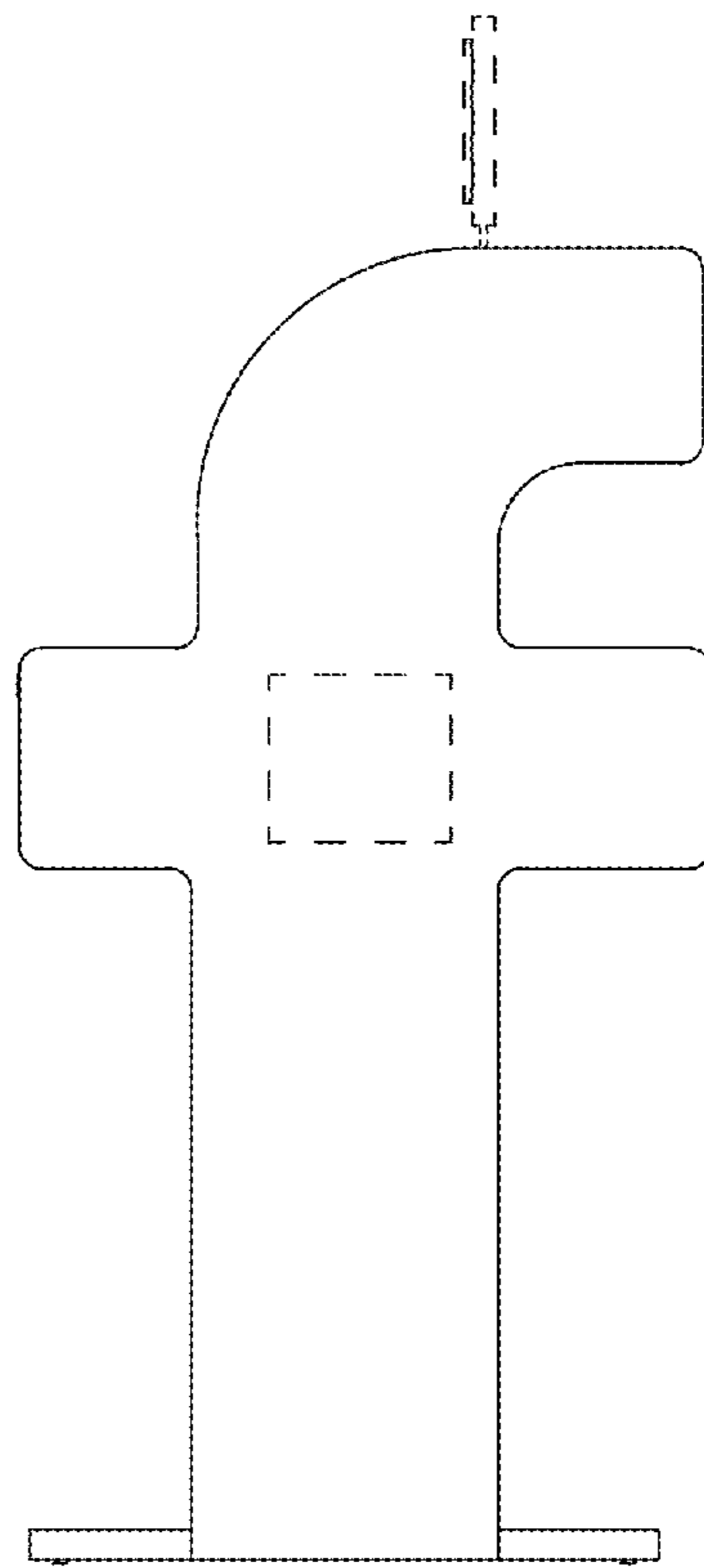


FIG. 10

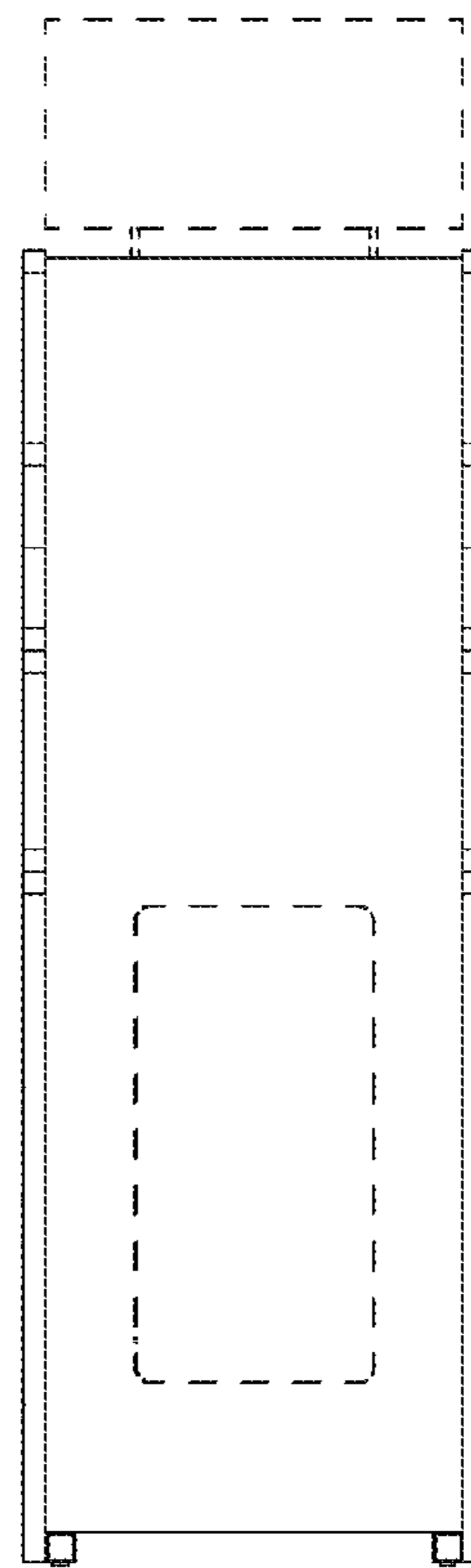


FIG. 11