

US00D695732S

(12) **United States Design Patent**
Baumann et al.

(10) **Patent No.:** **US D695,732 S**

(45) **Date of Patent:** **** Dec. 17, 2013**

(54) **DASHBOARD STAND**

(75) Inventors: **Scott Baumann**, Anacortes, WA (US);
Brian Wheeler, Bellingham, WA (US)

(73) Assignee: **Clingo.com LLC**, Ferndale, WA (US)

(**) Term: **14 Years**

(21) Appl. No.: **29/424,371**

(22) Filed: **Jun. 11, 2012**

(51) **LOC (9) Cl.** **14-03**

(52) **U.S. Cl.**
USPC **D14/253**

(58) **Field of Classification Search**
USPC D14/140, 140.8, 142, 168, 204, 209.1,
D14/217, 221, 243–256, 434, 447; D3/215,
D3/218, 269; D2/861; D6/300, 310, 467,
D6/553–574; 292/342, 343; D19/90;
D12/411, 415; D13/108; 379/446, 455
See application file for complete search history.

(56) **References Cited**

U.S. PATENT DOCUMENTS

D398,796 S *	9/1998	Fauchald et al.	D6/512
D487,270 S *	3/2004	Richter	D14/447
D530,333 S *	10/2006	Richter	D14/447
D545,825 S *	7/2007	Richter	D14/447
D554,136 S *	10/2007	Richter	D14/447
D554,137 S *	10/2007	Richter	D14/447
D590,834 S *	4/2009	Richter	D14/447
D590,835 S *	4/2009	Richter	D14/447

D593,103 S *	5/2009	Richter	D14/447
D593,566 S *	6/2009	Richter	D14/447
D603,322 S *	11/2009	Nicieja	D12/415
D640,247 S *	6/2011	Baumann et al.	D14/253
D654,120 S *	2/2012	Lin	D21/333
D654,493 S *	2/2012	Baumann et al.	D14/253
D655,283 S *	3/2012	Richter	D14/253
D655,284 S *	3/2012	Richter	D14/253
2010/0320341 A1 *	12/2010	Baumann et al.	248/206.2

* cited by examiner

Primary Examiner — Susan Bennett Hattan

Assistant Examiner — Janice Hallmark

(74) *Attorney, Agent, or Firm* — Tejpal S. Hansra

(57) **CLAIM**

The ornamental design for a dashboard stand, as shown and described.

DESCRIPTION

FIG. 1 is a front left isometric view of a dashboard stand showing our new design with a handheld mobile electronic device shown in broken lines;
FIG. 2 is a back right isometric view thereof;
FIG. 3 is a front view thereof;
FIG. 4 is a right side view thereof;
FIG. 5 is a left side view thereof;
FIG. 6 is a back view thereof; and,
FIG. 7 is a top view thereof.
In the drawings, the broken lines depict unclaimed environment.

1 Claim, 5 Drawing Sheets

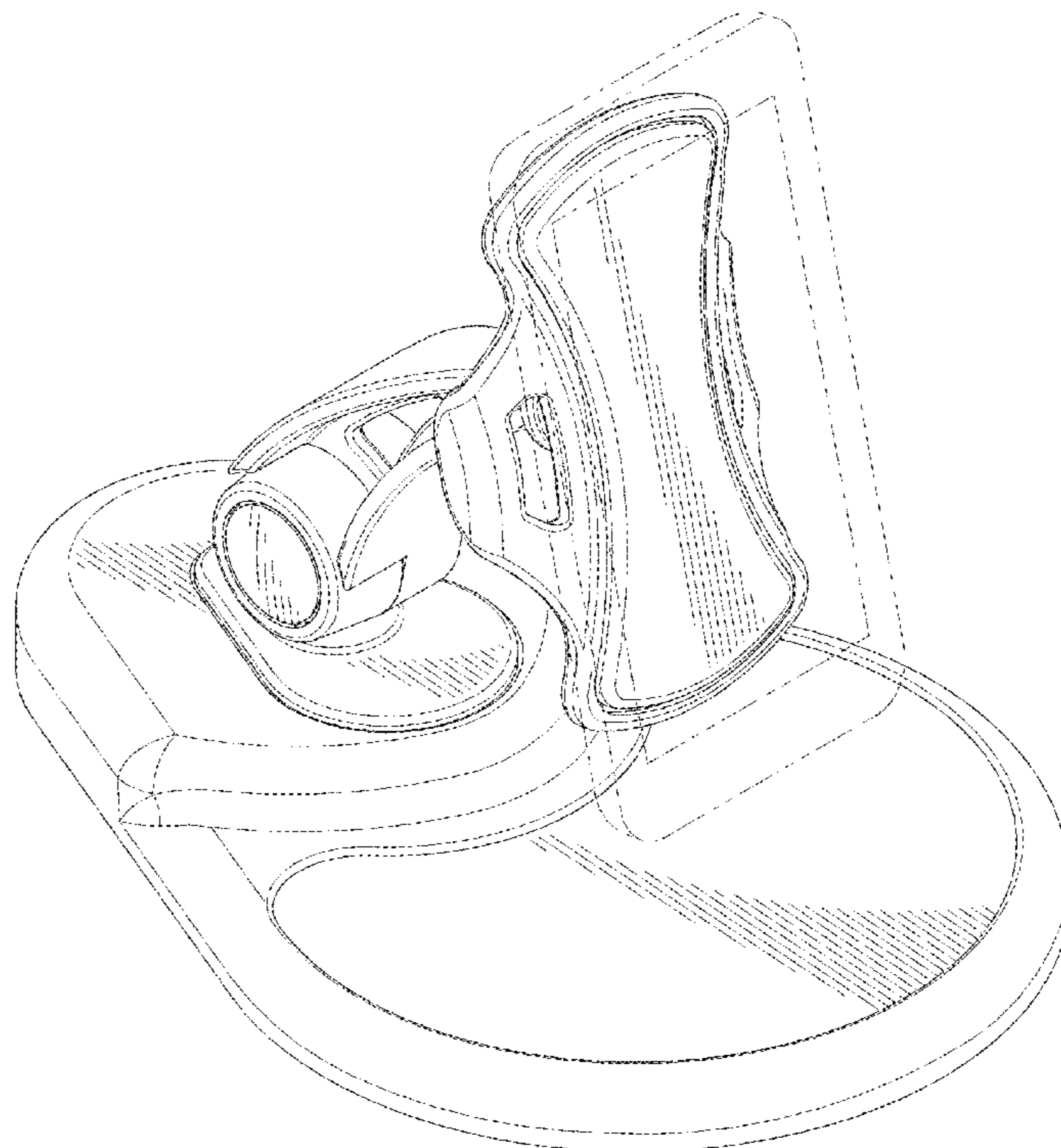


FIG. 1

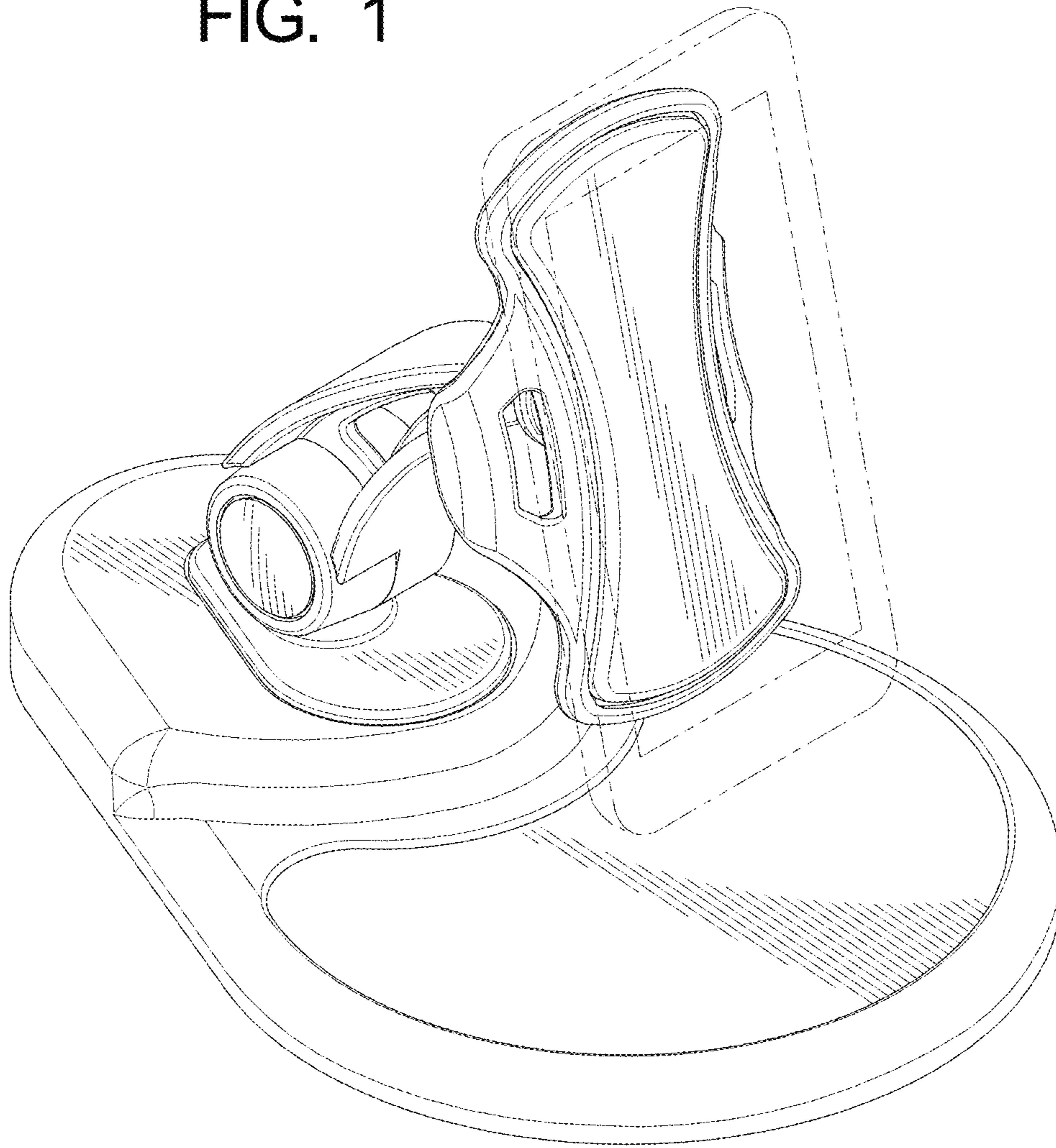


FIG. 2

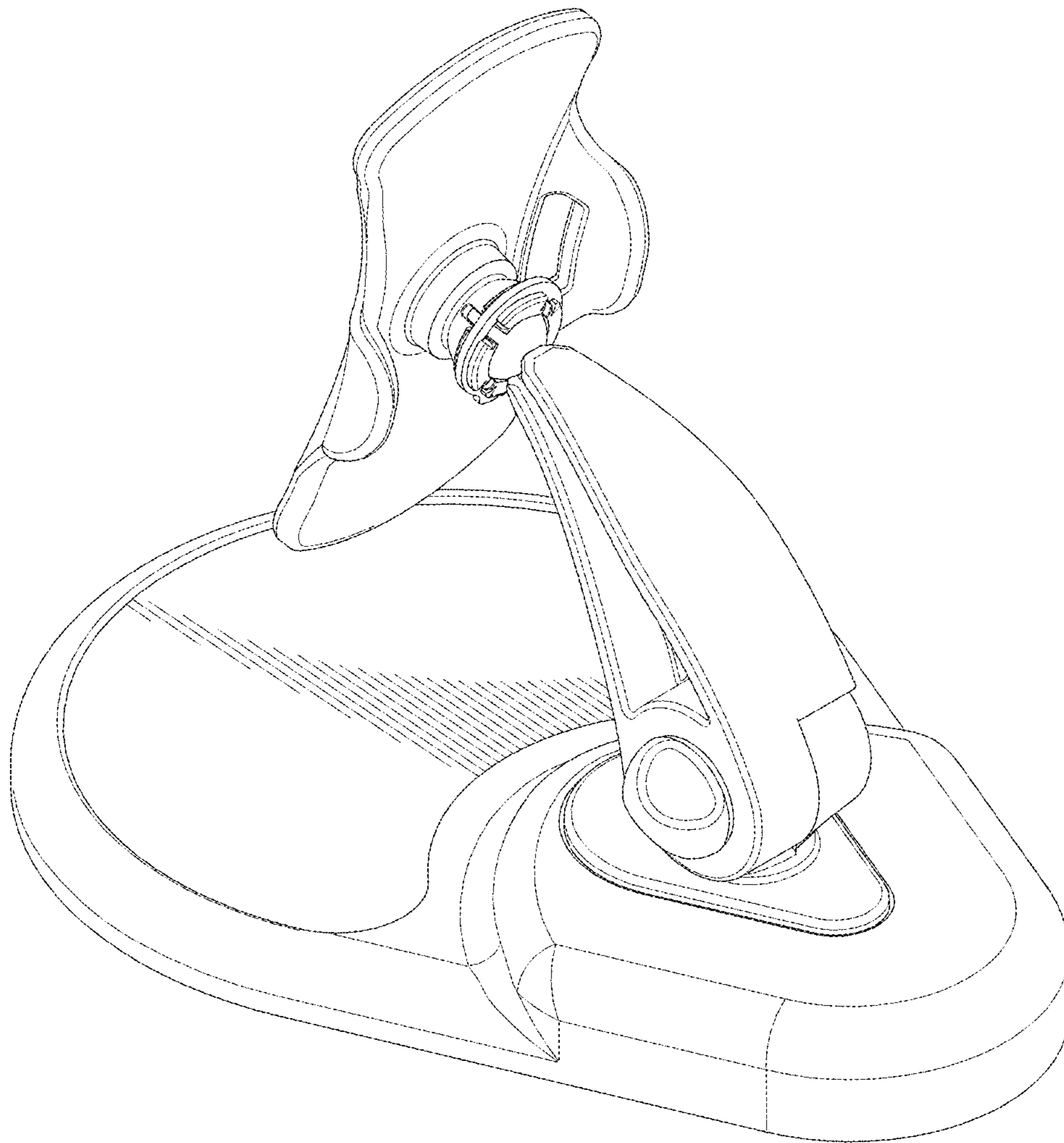


FIG. 3

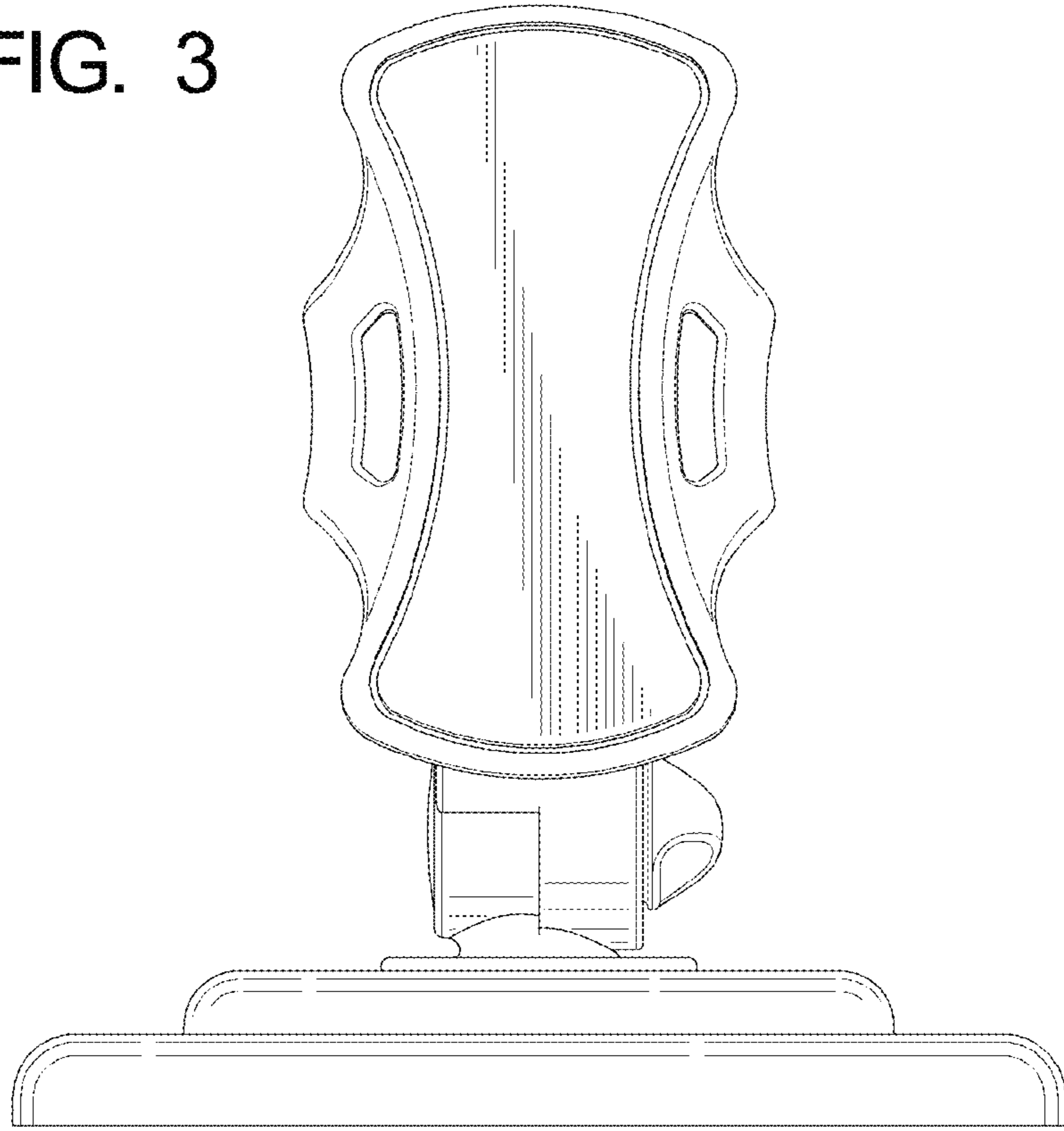


FIG. 4

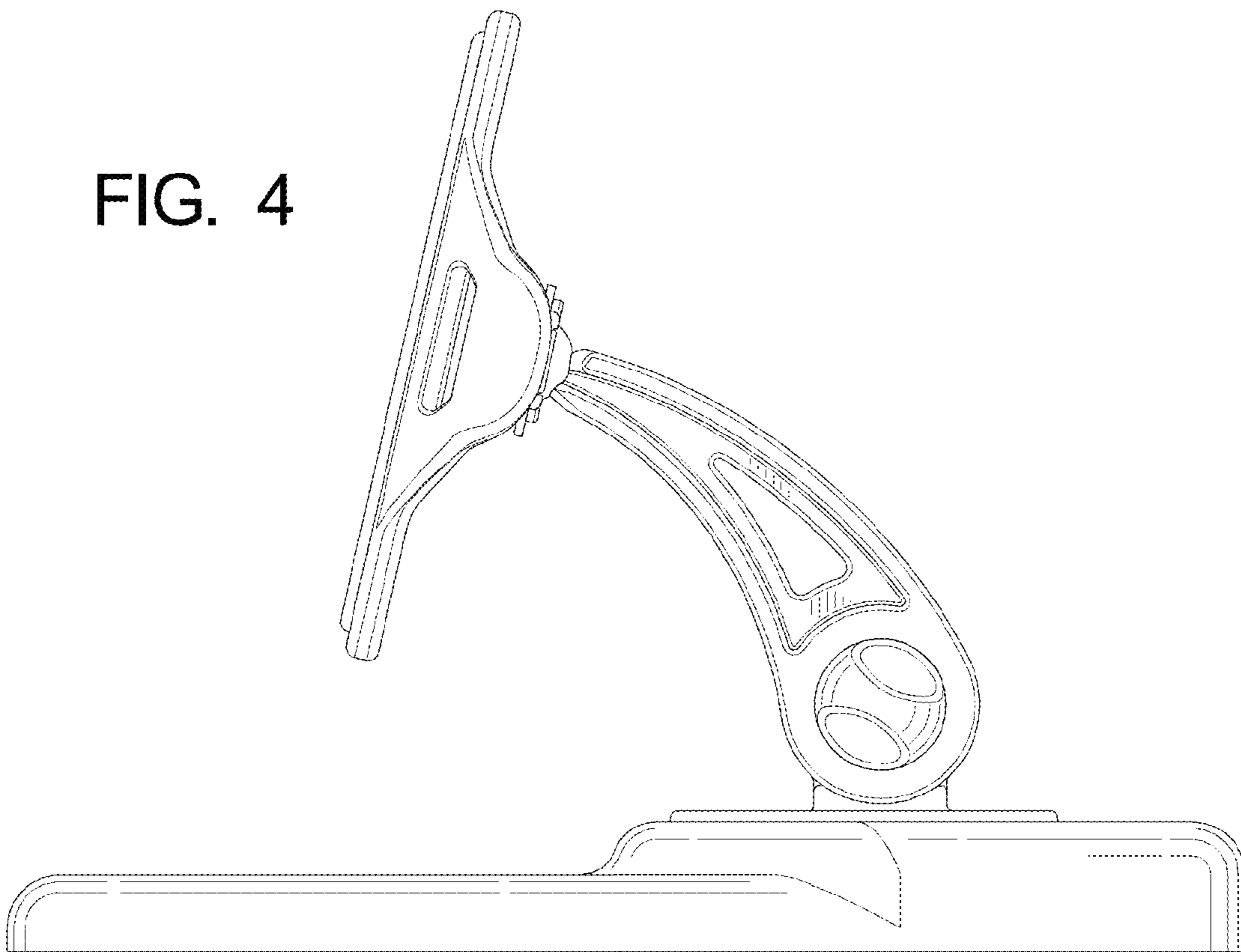


FIG. 5

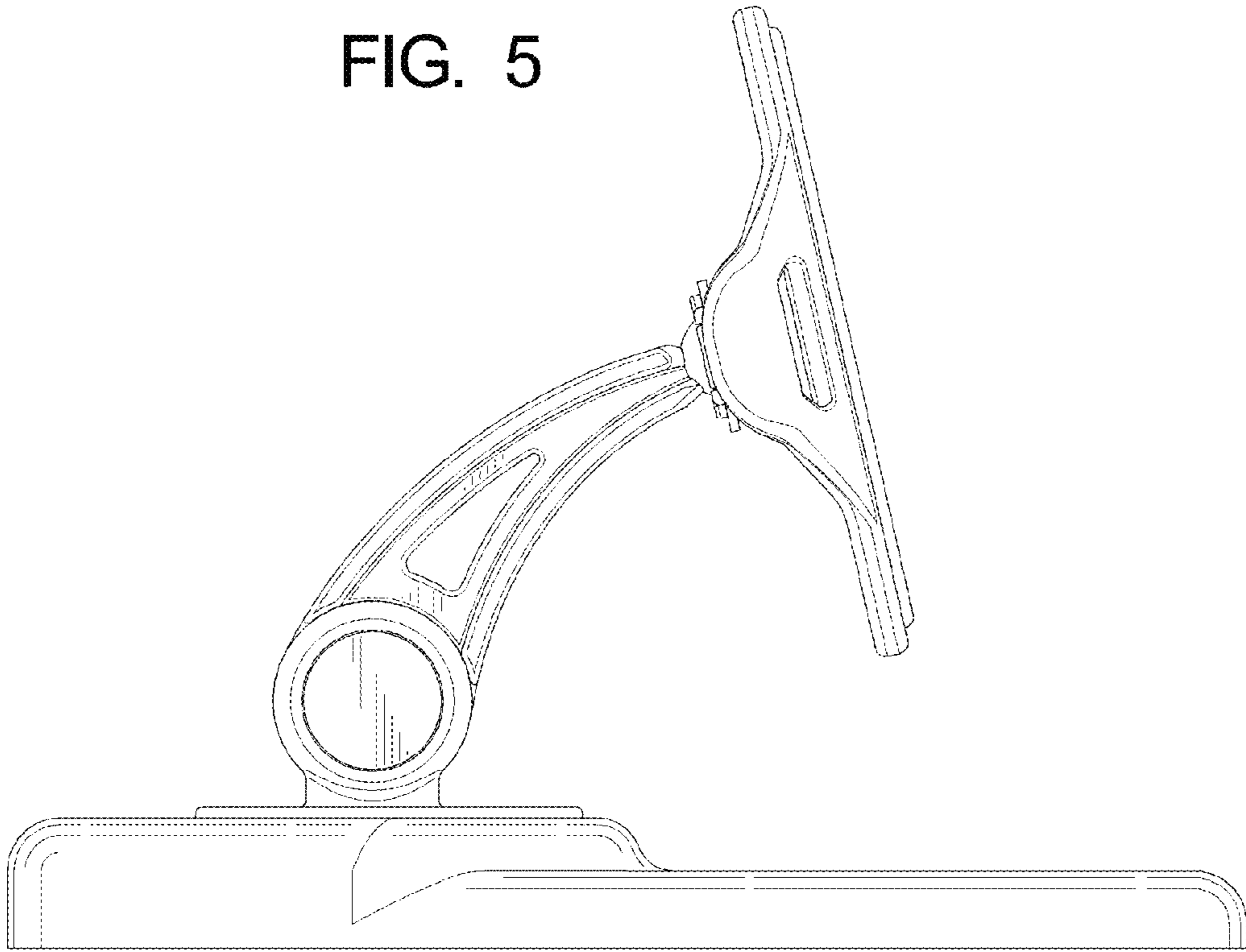


FIG. 6

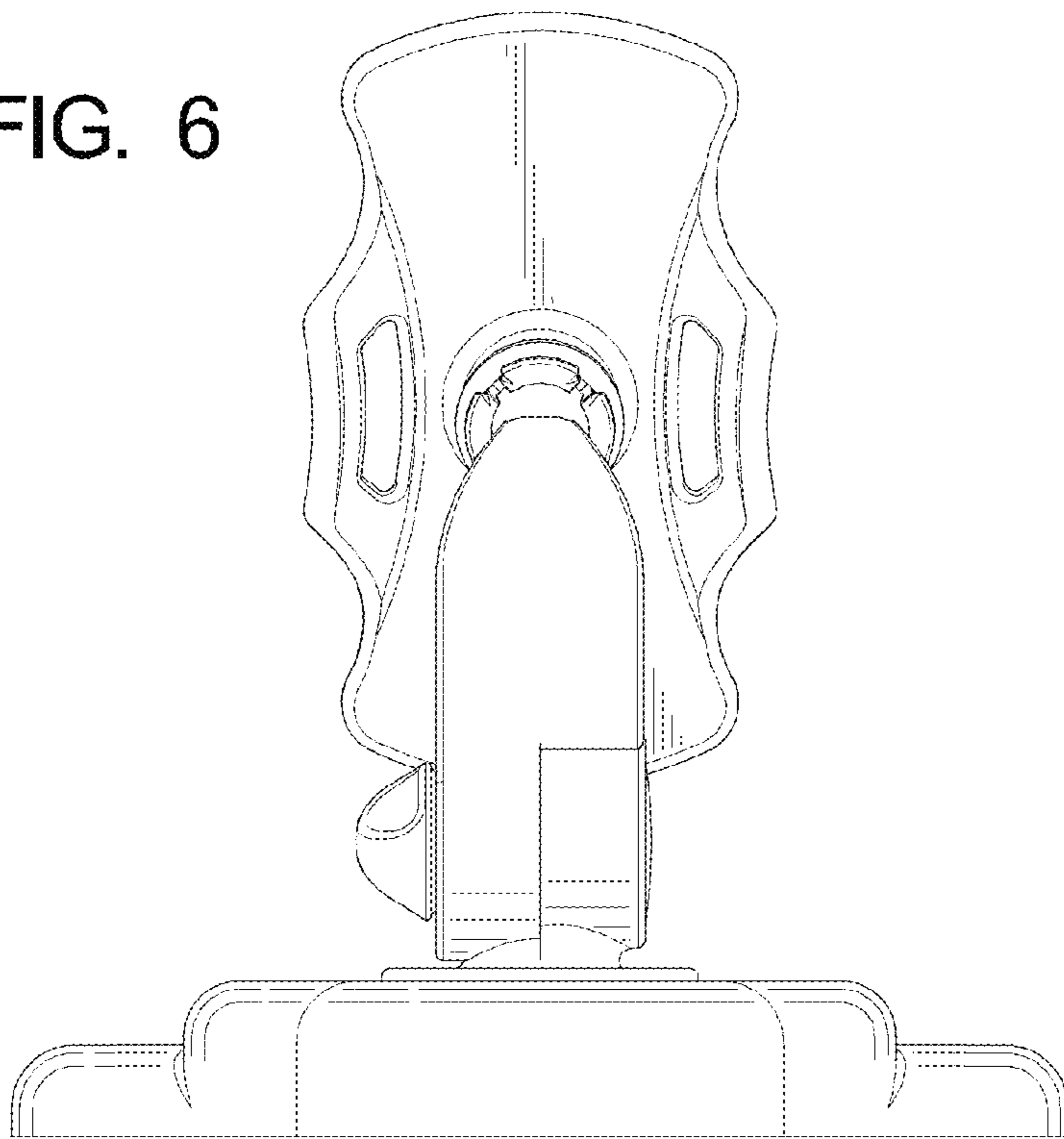


FIG. 7

